



US00D946740S

(12) **United States Design Patent** (10) **Patent No.:** **US D946,740 S**
Holmes Bradley (45) **Date of Patent:** **** Mar. 22, 2022**

(54) **CEILING FAN**
(71) Applicant: **Hunter Fan Company**, Memphis, TN (US)
(72) Inventor: **Christine Marie Holmes Bradley**, Memphis, TN (US)
(73) Assignee: **Hunter Fan Company**, Memphis, TN (US)
(**) Term: **15 Years**
(21) Appl. No.: **29/722,242**
(22) Filed: **Jan. 28, 2020**
(51) **LOC (13) Cl.** **23-04**
(52) **U.S. Cl.**
USPC **D23/377**
(58) **Field of Classification Search**
USPC D23/370, 377, 379, 385, 411-414
CPC F04D 25/088; F04D 29/38; F04D 29/384;
F04D 29/386; F21V 33/0096
See application file for complete search history.

D804,629 S 12/2017 McRoberts et al.
D804,630 S 12/2017 Holmes et al.
D804,638 S 12/2017 Guthrie
D804,639 S 12/2017 Guthrie
D810,918 S 2/2018 Holmes
D855,172 S * 7/2019 Holmes D23/411
D860,433 S * 9/2019 Hagggar D23/413
D890,909 S * 7/2020 Streng D23/377

(56) **References Cited**
U.S. PATENT DOCUMENTS
2,269,287 A 1/1942 Roberts
D409,742 S 5/1999 Tang
D478,161 S 8/2003 Collmar
D510,424 S 10/2005 Young
D672,027 S * 12/2012 Williams D23/413
D721,429 S 1/2015 Busta
D745,956 S * 12/2015 Ertze D23/385
D758,560 S * 6/2016 Gajewski D23/385
D758,562 S * 6/2016 Gajewski D23/411
D762,296 S 7/2016 Badarello et al.
D770,027 S 10/2016 Noble et al.
D781,407 S * 3/2017 Gajewski D23/385
D783,146 S 4/2017 Wang
D802,114 S 11/2017 Busta

OTHER PUBLICATIONS

<https://www.craftmade.com/pireos-pir48>, Craftmade Pireos Ceiling Fan, Model No. PIR48, accessed Jun. 28, 2018.

(Continued)

Primary Examiner — Sharon S Oum
(74) *Attorney, Agent, or Firm* — McGarry Bair PC

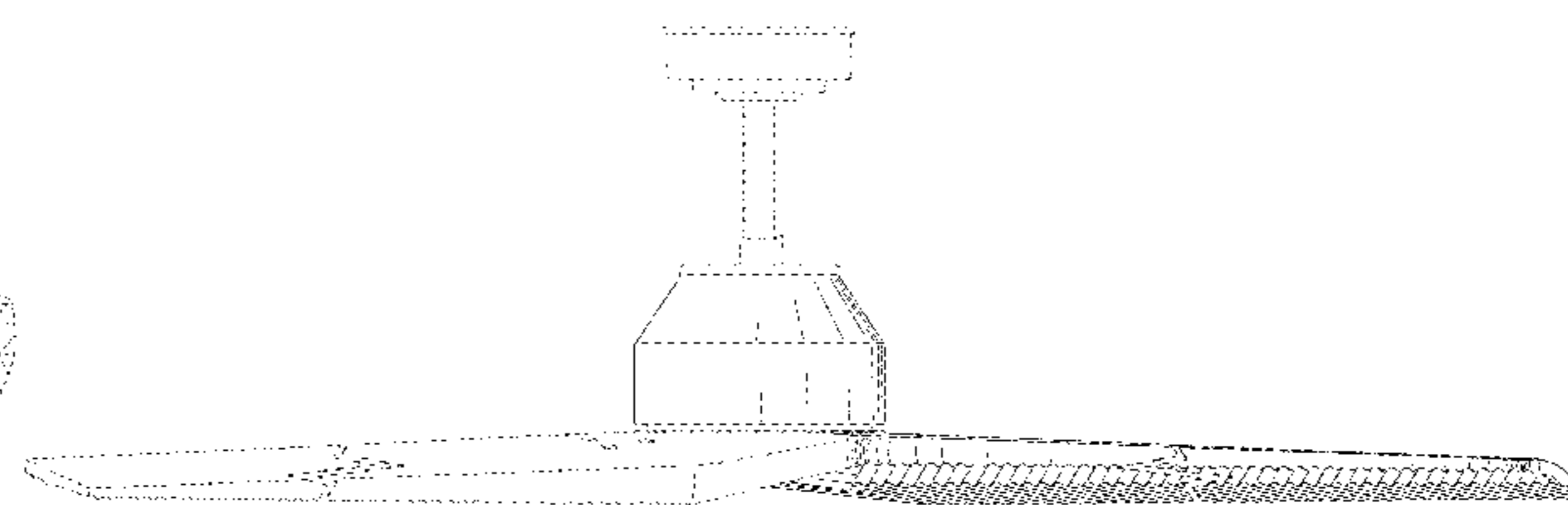
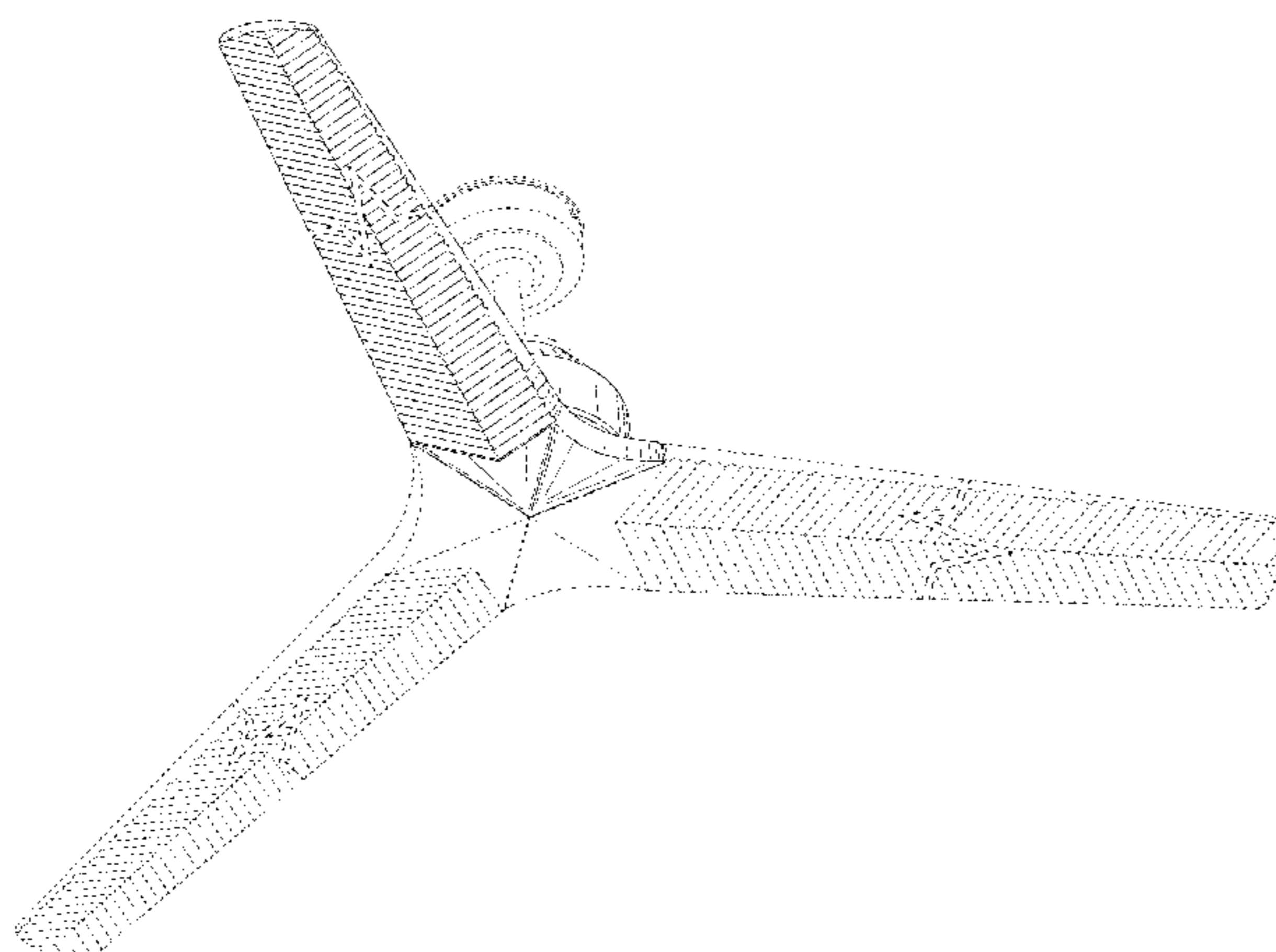
(57) **CLAIM**

The ornamental design for a ceiling fan, as shown and described.

DESCRIPTION

FIG. 1 is a top perspective view of a ceiling fan, showing my new design;
FIG. 2 is a bottom perspective view thereof;
FIG. 3 is a top view thereof;
FIG. 4 is a bottom view thereof;
FIG. 5 is a front view thereof;
FIG. 6 is a rear view thereof;
FIG. 7 is a left side view thereof; and,
FIG. 8 is a right side view thereof.
Portions of the ceiling fan shown in broken lines form no part of the claimed design.
Jagged break lines represent broken away symbols and form no part of the claimed design. The appearance of any portion of the ceiling fan blades between jagged break lines forms no part of the claimed design.

1 Claim, 8 Drawing Sheets



(56)

References Cited

OTHER PUBLICATIONS

<https://www.craftmade.com/ceiling-fans/limerick>, Craftmade Limerick Ceiling Fan, Model No. LIM60, accessed Jun. 28, 2018.

<http://www.montecarlofans.com/38110/52-Nikki---Polished-Nickel-5NKR52PND.html>, Monte Carlo Nikki Collection Ceiling Fan, Product No. 5NKR52PND, accessed Jun. 28, 2018.

<https://www.homedepot.com/p/Hampton-Bay-Four-Winds-54-in-Indoor-Outdoor-White-Ceiling-Fan-with-Light-Kit-AC457-WH/202549808>, Hampton Bay Four Winds 54 in. Indoor/Outdoor White Ceiling Fan with Light Kit, Model No. AC457-WH, accessed Jun. 28, 2018.

<http://www.fanimation.com/products/index.php/fans/windpointe-1468.html>, Fanimation Windpointe Ceiling Fan, Model No. FP7500, accessed Jun. 28, 2018.

<http://www.fanimation.com/products/index.php/fans/spitfire-495.html>, Fanimation Spit Fire Ceiling Fan, Model No. MA6721, accessed Jun. 28, 2018.

<https://www.hunterfan.com/ceiling-fans/casablanca-piston-outdoor-with-led-light-52-inch-fam688>, Casablanca Piston Outdoor with LED Light 52 inch Ceiling Fan, Item No. 59196, accessed Jun. 28, 2018.

<https://www.craftmade.com/ceiling-fans/acadian-fans>, Craftmade Acadian Ceiling Fan, Model Nos. ACA56BNK3 and ACA56BNK3-UCI, accessed Jun. 28, 2018.

<http://www.kichler.com/products/product/52-inch-colerne-ceiling-fan-ni-300052ni.aspx>, Kichler Colerne Collection, 52 Inch Ceiling Fan NI, Model No. 300052NI, accessed Jun. 28, 2018.

<https://www.craftmade.com/catalog/category/view/s/cavallo/id/482/>, Craftmade Cavallo Fan Collection, Model Nos. BCVL100 and CVL100, accessed Jun. 28, 2018.

<https://www.lowes.com/pd/Harbor-Breeze-Platinum-Aniva-Bay-52-in-Aged-Bronze-Indoor-Outdoor-Downrod-Mount-Ceiling-Fan-and-Remote-3-Blade/50244893>, Harbor Breeze Platinum Aniva Bay 52-in Aged Bronze Indoor/Outdoor Downrod Mount Ceiling Fan and remote, Model No. LP8321LAZ, accessed Jun. 28, 2018.

* cited by examiner

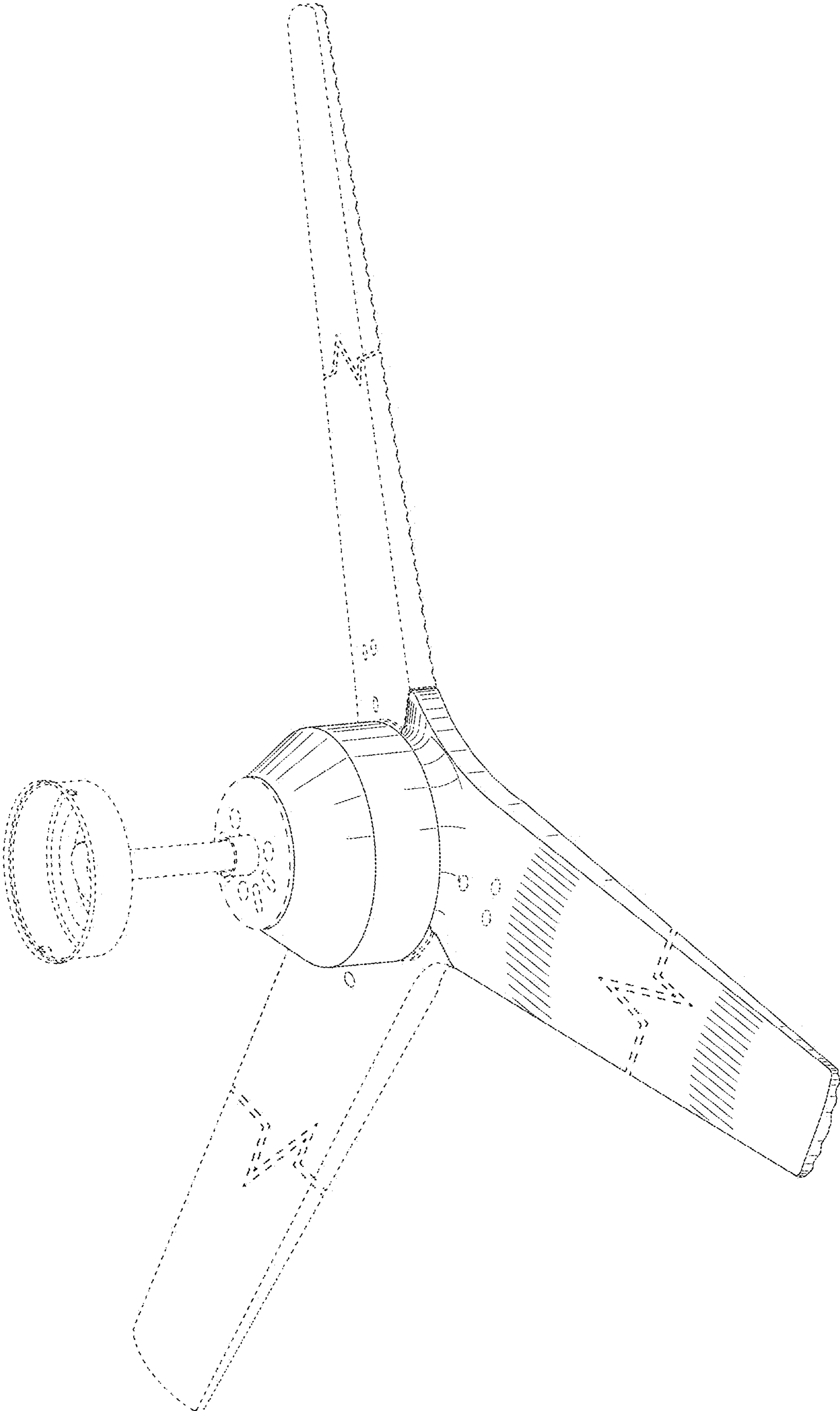


FIG. 1

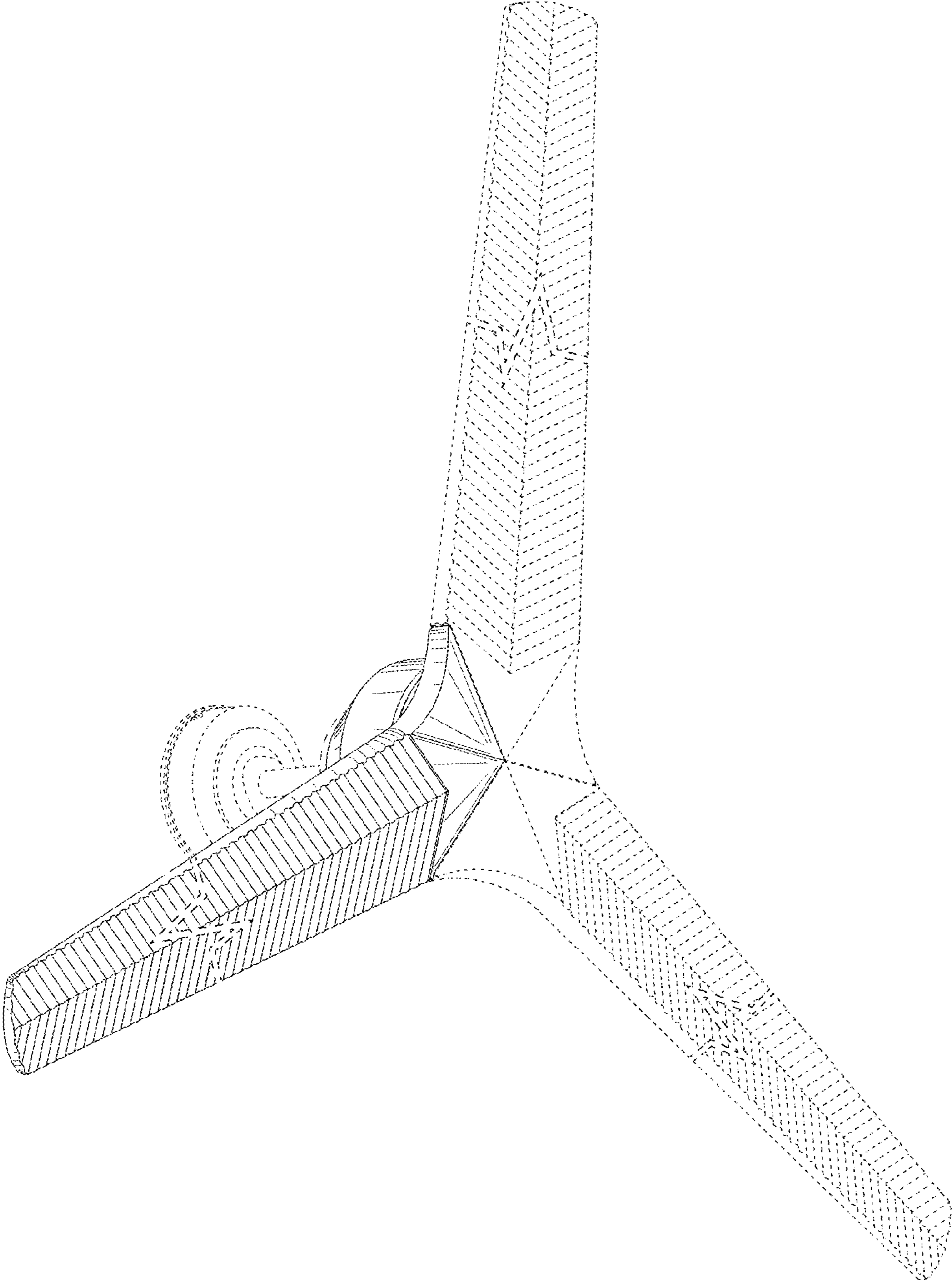


FIG. 2

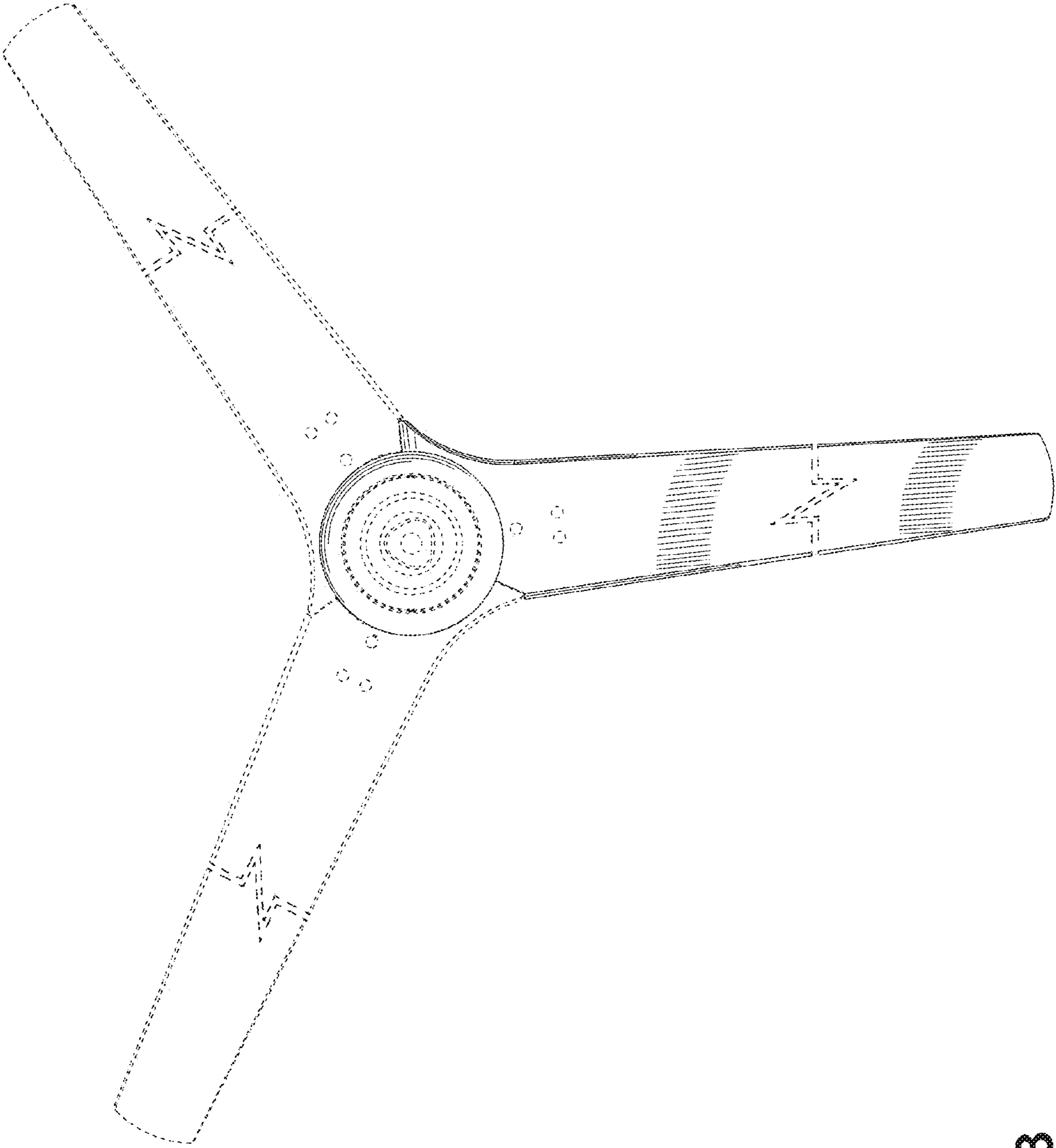


FIG. 3

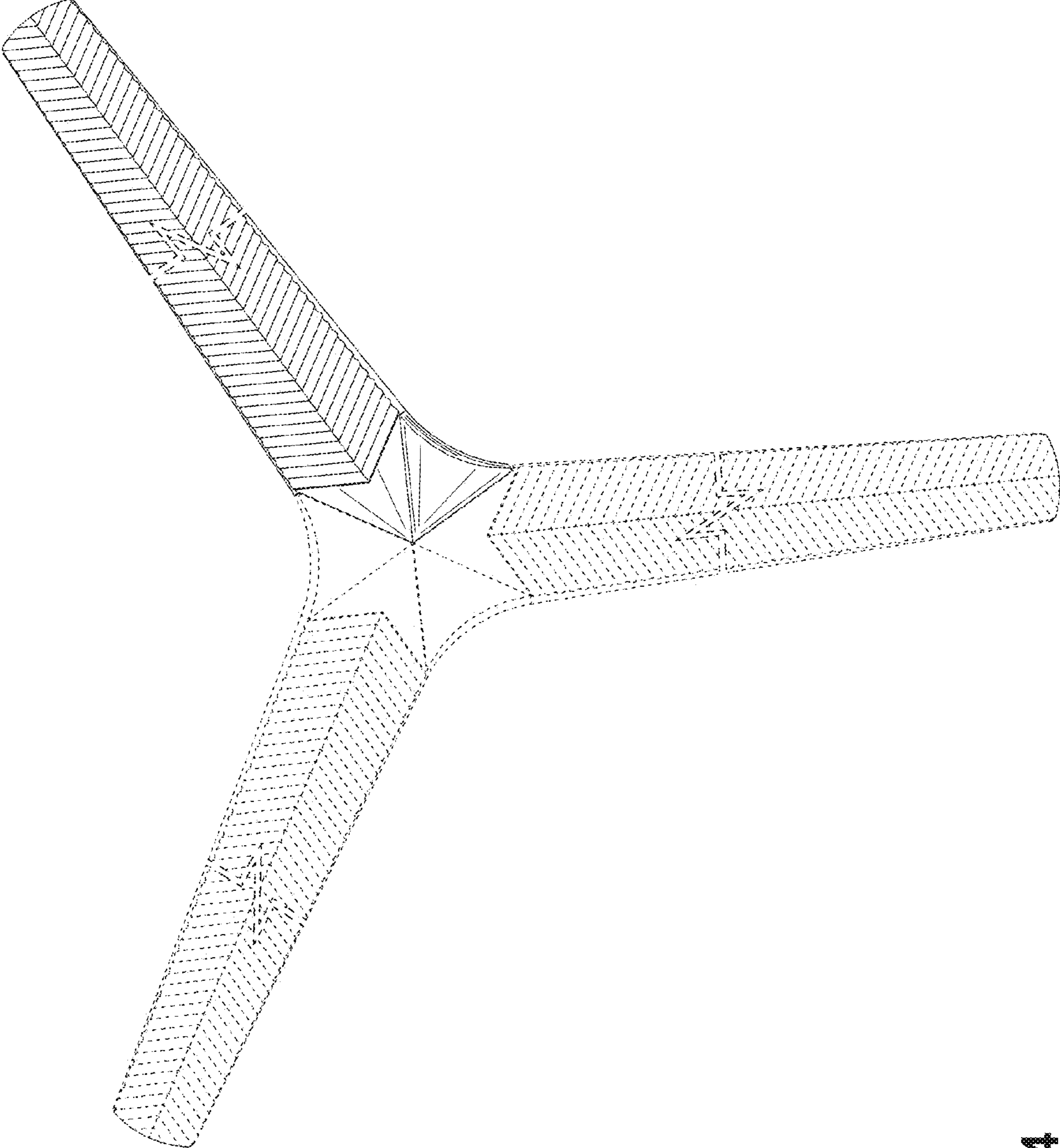


FIG. 4

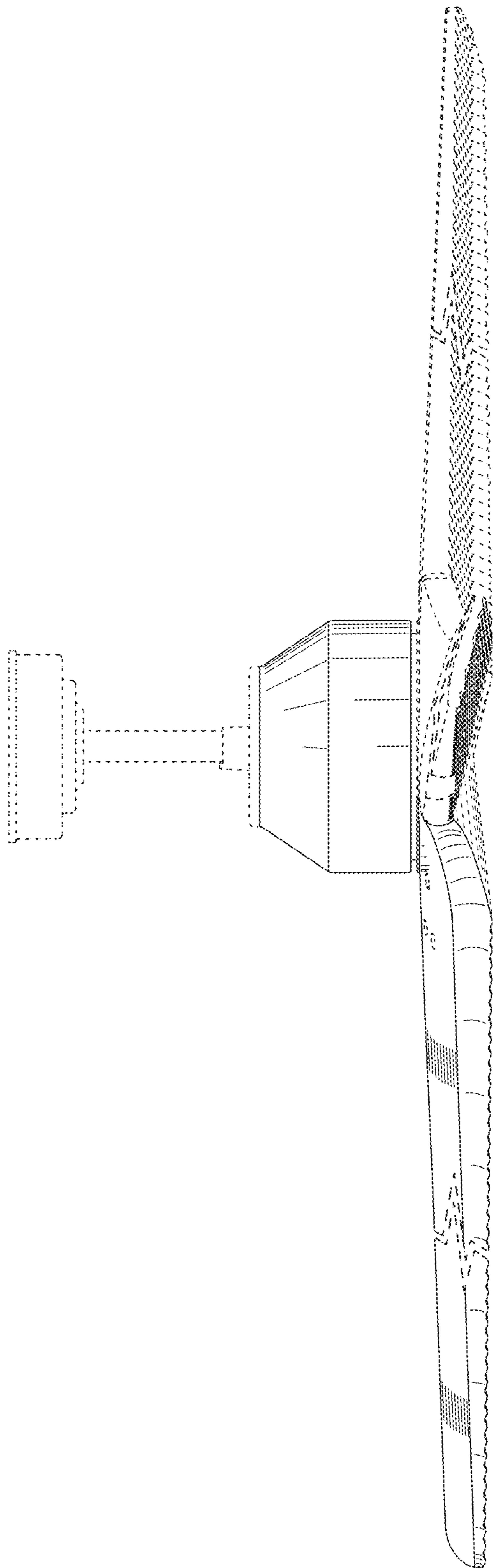


FIG. 5

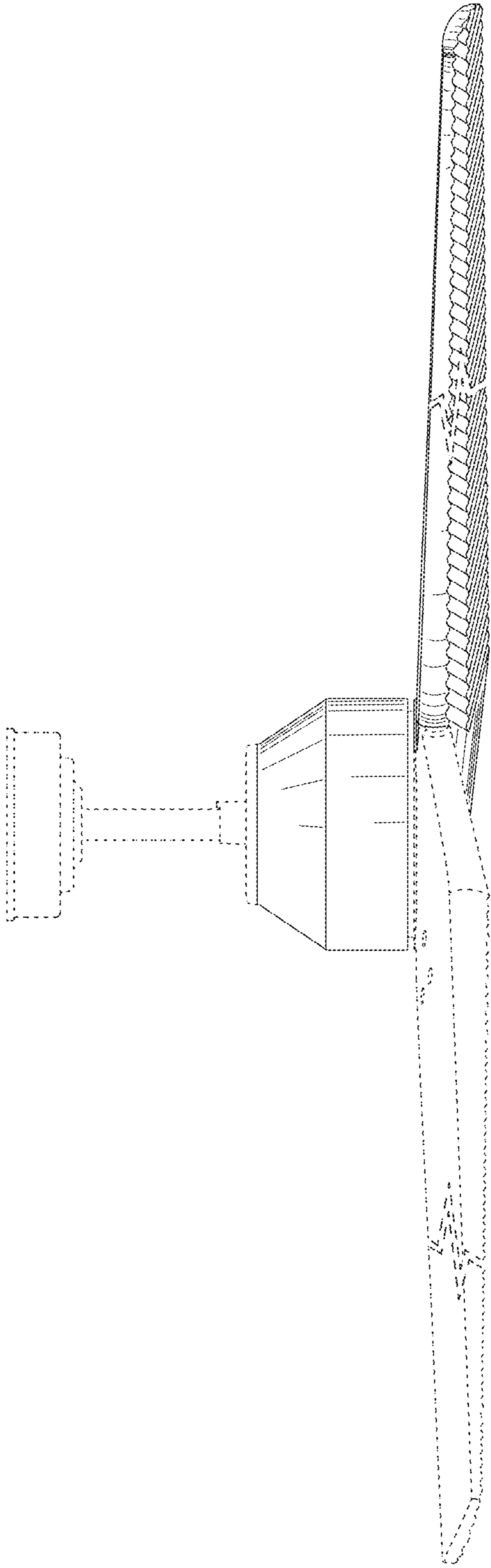


FIG. 6

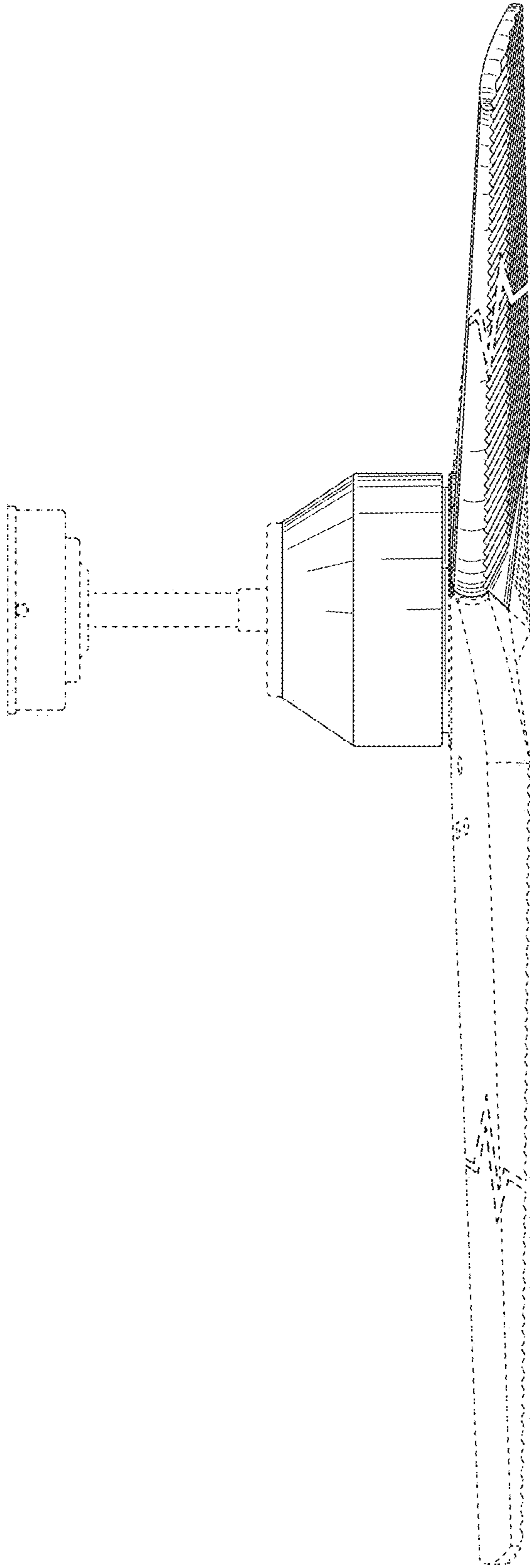


FIG. 7

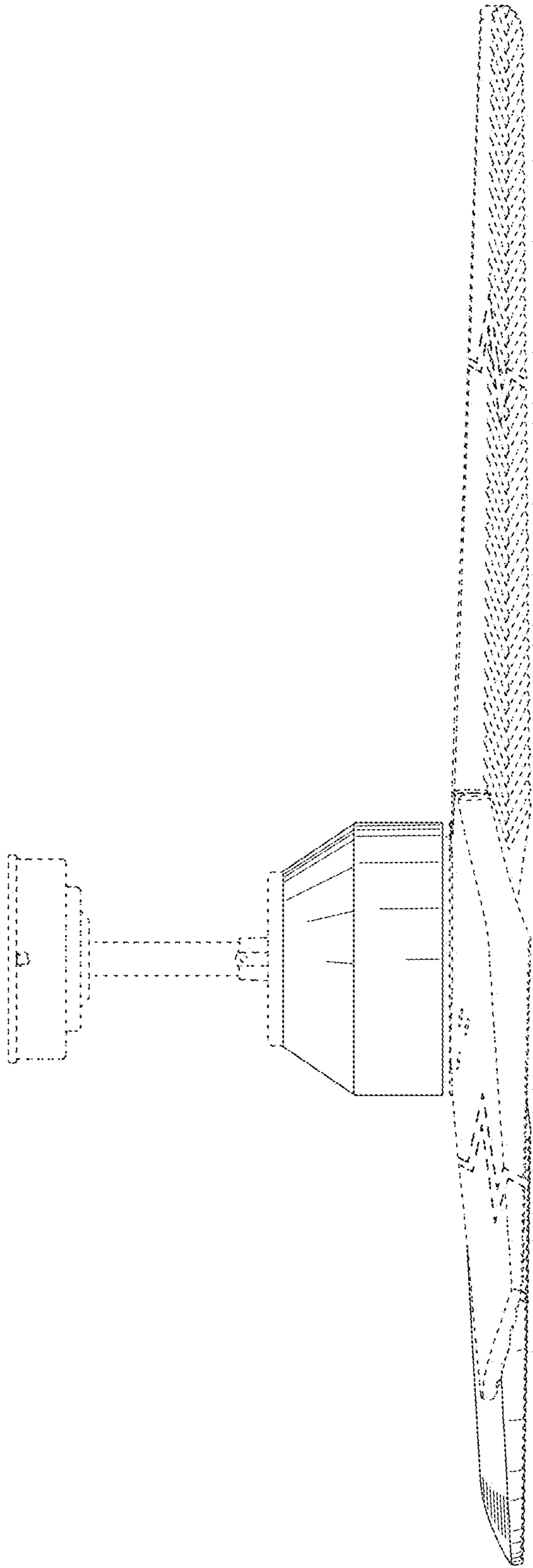


FIG. 8