



US00D946736S

(12) **United States Design Patent**
Cha et al.

(10) **Patent No.:** **US D946,736 S**
(45) **Date of Patent:** **** Mar. 22, 2022**

(54) **PORTABLE HOOD FOR VENTILATION**

(71) Applicant: **LG ELECTRONICS INC.**, Seoul (KR)

(72) Inventors: **Hyunbyung Cha**, Seoul (KR); **Younju Oh**, Seoul (KR); **Heejeong Heo**, Seoul (KR); **Chinsoo Hyon**, Seoul (KR)

(73) Assignee: **LG ELECTRONICS INC.**, Seoul (KR)

(**) Term: **15 Years**

(21) Appl. No.: **29/737,716**

(22) Filed: **Jun. 11, 2020**

(30) **Foreign Application Priority Data**

Dec. 17, 2019 (KR) 30-2019-0061380

(51) **LOC (13) Cl.** **23-04**

(52) **U.S. Cl.**
USPC **D23/372; D23/364**

(58) **Field of Classification Search**
USPC D23/332–335, 351, 353, 355, 364,
D23/370–372, 378, 385, 393, 395
CPC .. F24C 15/20; F24C 15/2007; F24C 15/2071;
F24C 15/2078; F24C 15/2092
See application file for complete search history.

(56) **References Cited**

U.S. PATENT DOCUMENTS

D149,302 S * 4/1948 Reinecke D23/335
D706,916 S * 6/2014 Penlesky D23/370

D802,737 S * 11/2017 Kim D23/378
D846,102 S * 4/2019 Pellerin D23/332
D850,601 S * 6/2019 Puffer D23/372
D853,545 S * 7/2019 Zhong D23/364
D858,731 S * 9/2019 Hyon D23/365
D898,888 S * 10/2020 Shore D23/364

* cited by examiner

Primary Examiner — Sharon S Oum

(74) *Attorney, Agent, or Firm* — Birch, Stewart, Kolasch & Birch, LLP

(57) **CLAIM**

We claim the ornamental design for a portable hood for ventilation, as shown and described.

DESCRIPTION

FIG. 1 is a perspective view of a portable hood for ventilation showing the new design;
FIG. 2 is a front elevation view thereof;
FIG. 3 is a rear elevation view thereof;
FIG. 4 is a left-side elevation view thereof;
FIG. 5 is a right-side elevation view thereof;
FIG. 6 is a top plan view thereof; and,
FIG. 7 is a bottom plan view thereof.
The broken lines shown in FIG. 3 depict portions of the portable hood for ventilation that form no part of the claimed design.

1 Claim, 7 Drawing Sheets

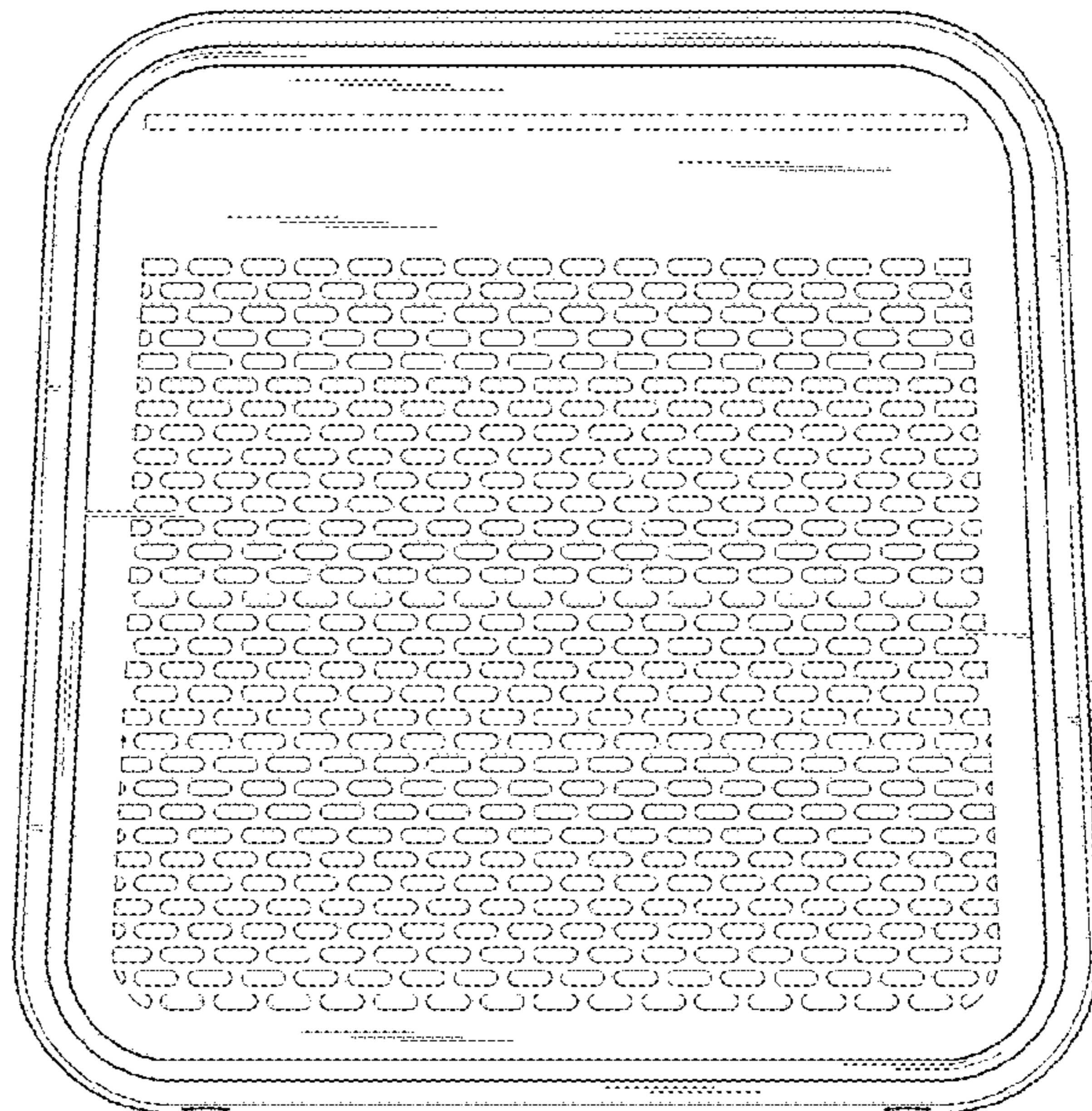
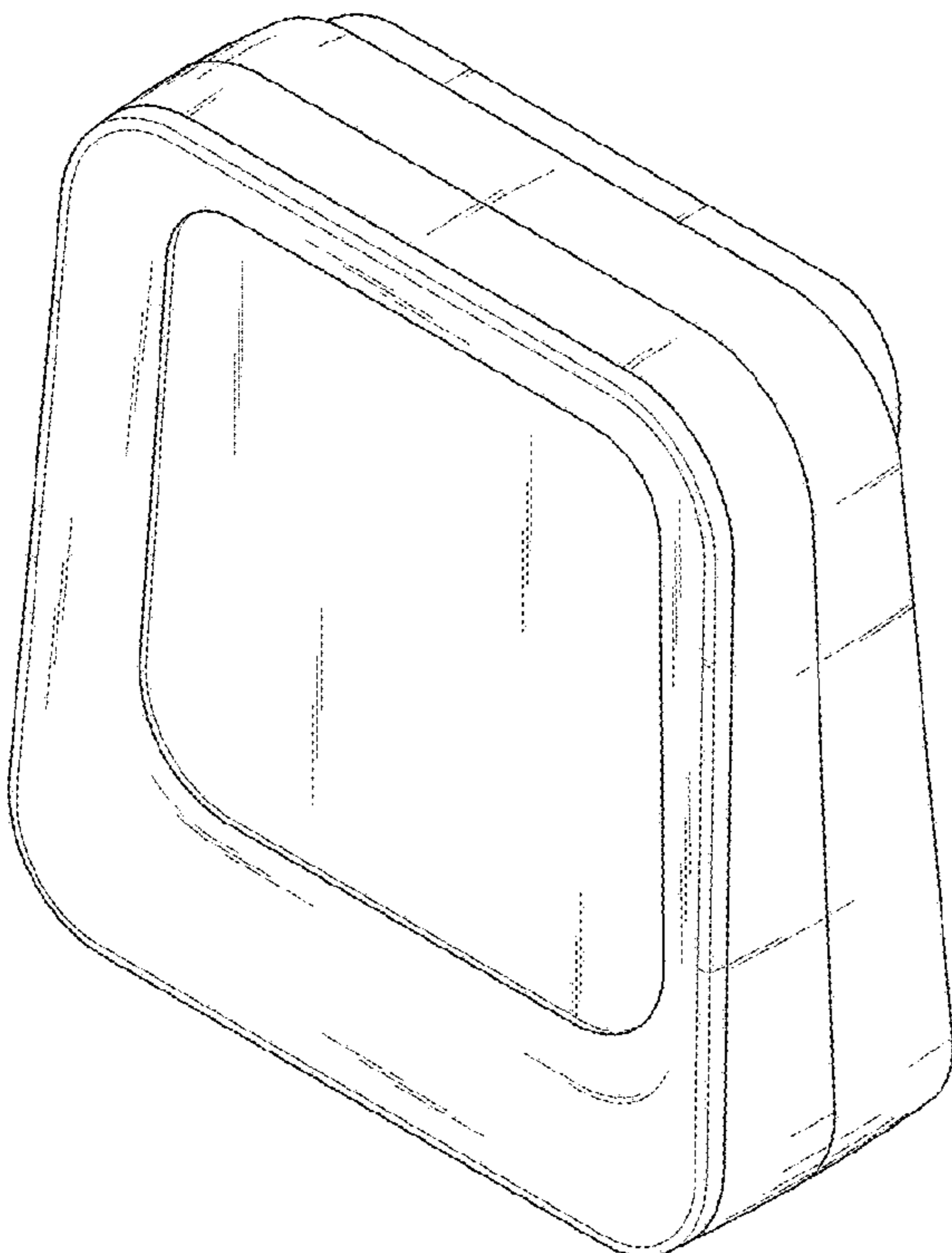


FIG. 1

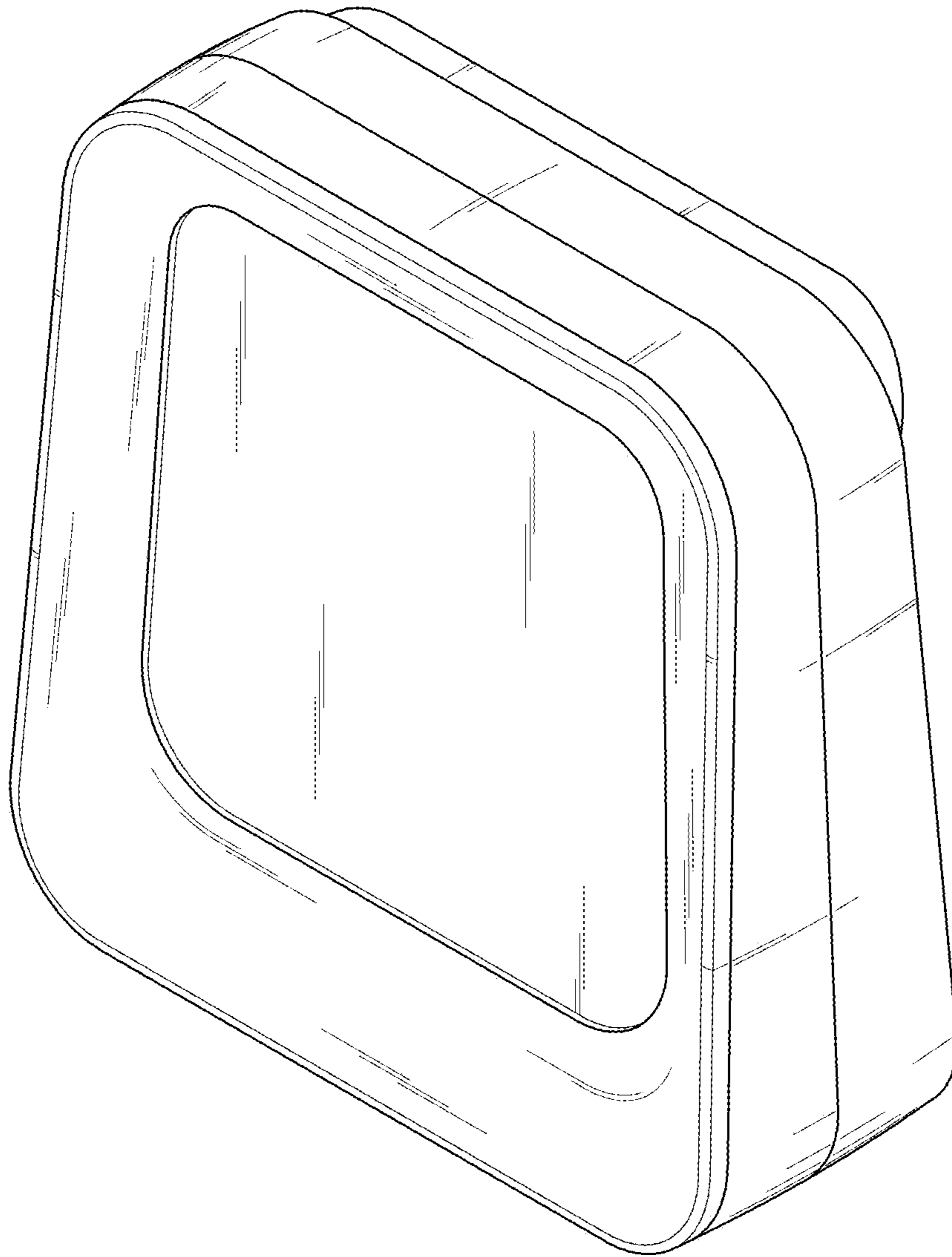


FIG. 2

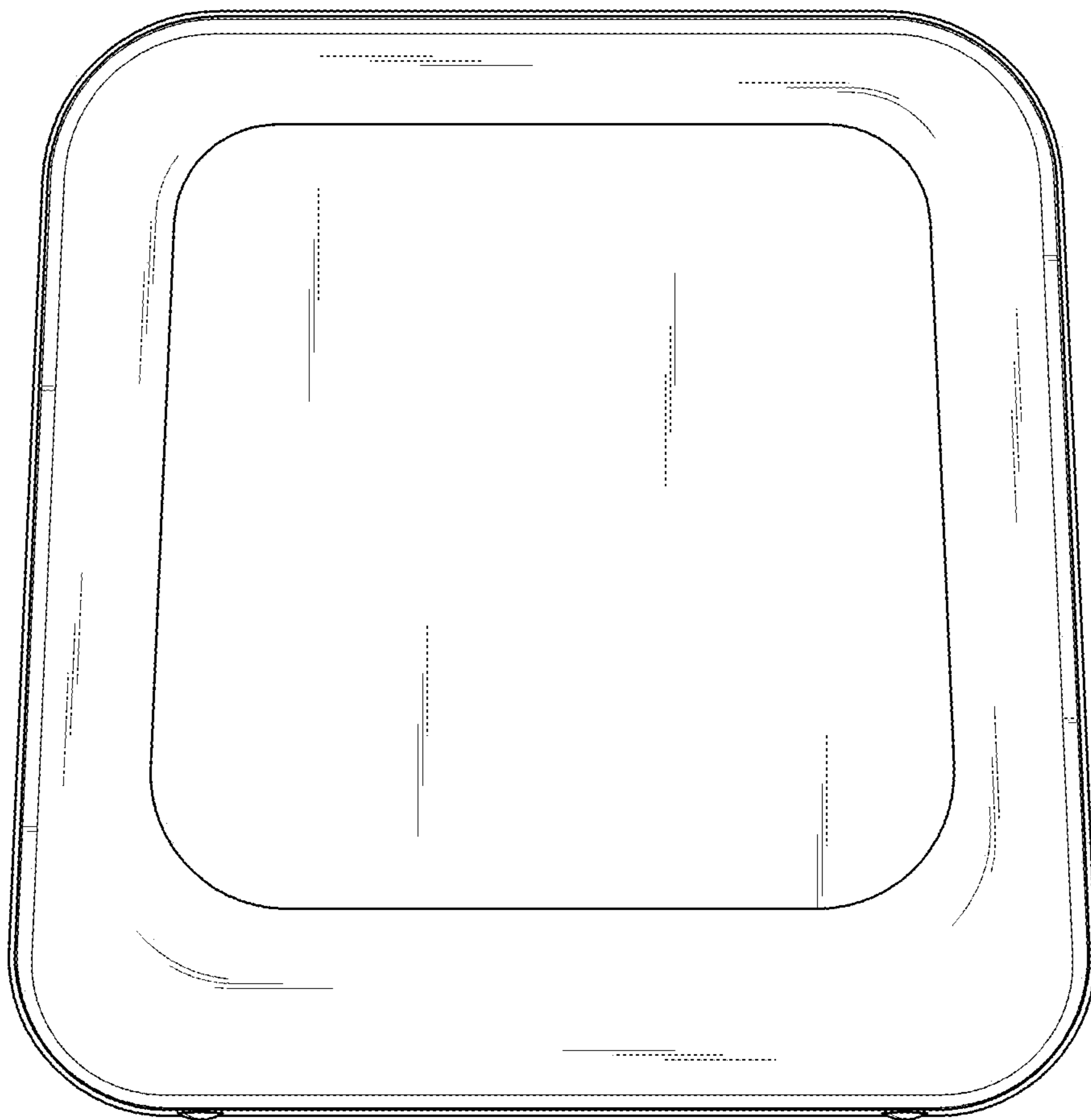


FIG. 3

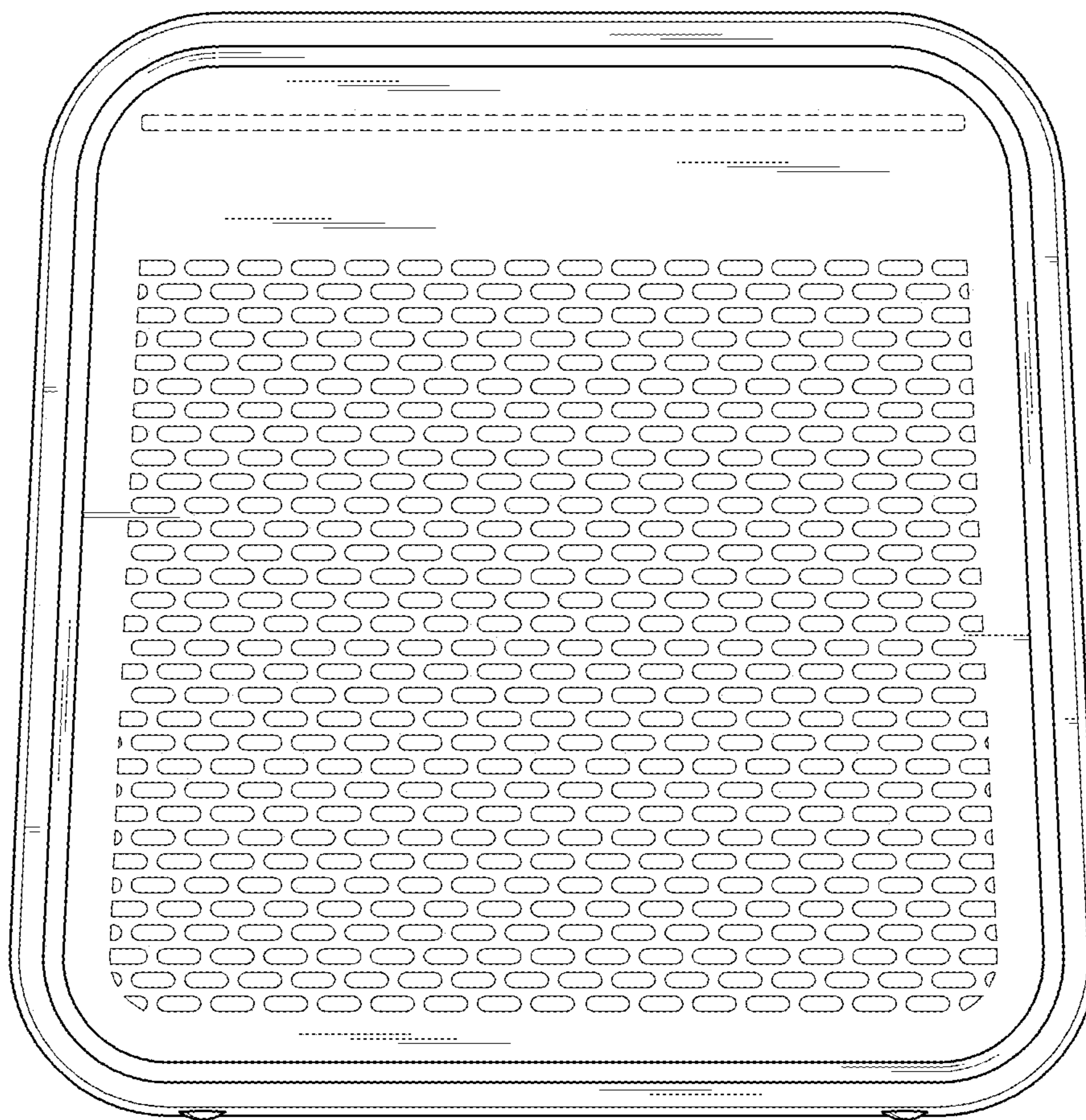


FIG. 4

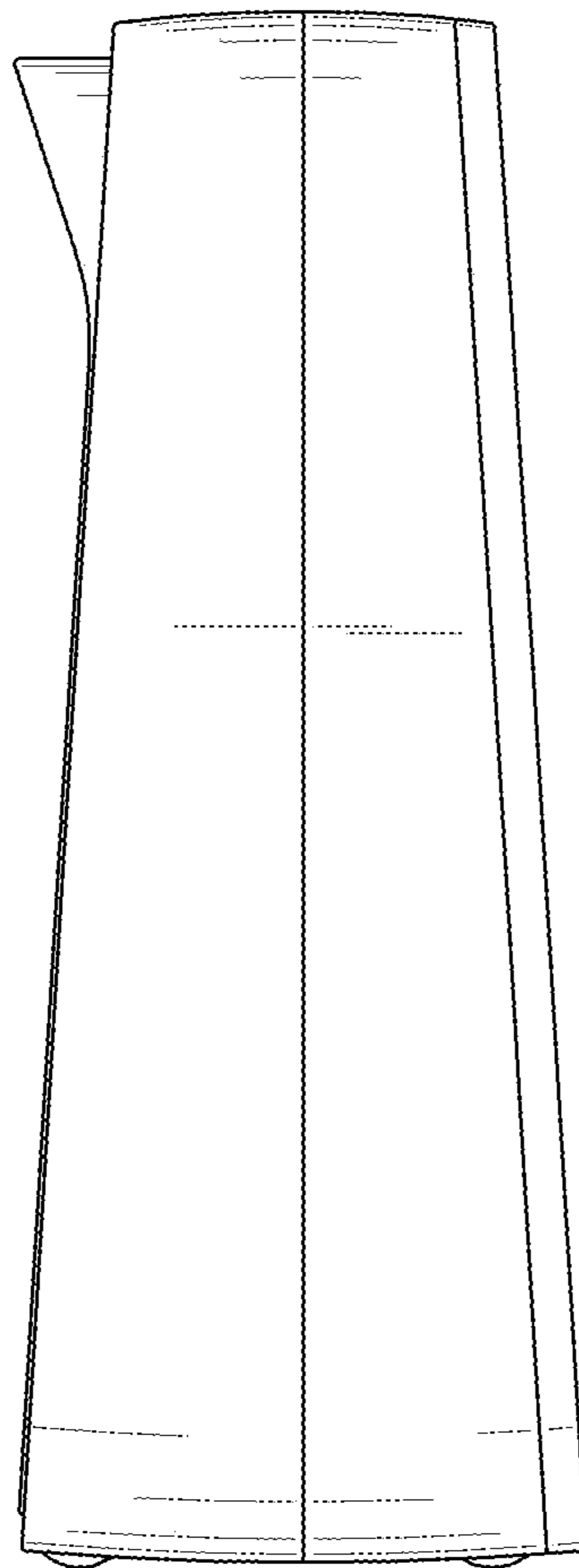


FIG. 5

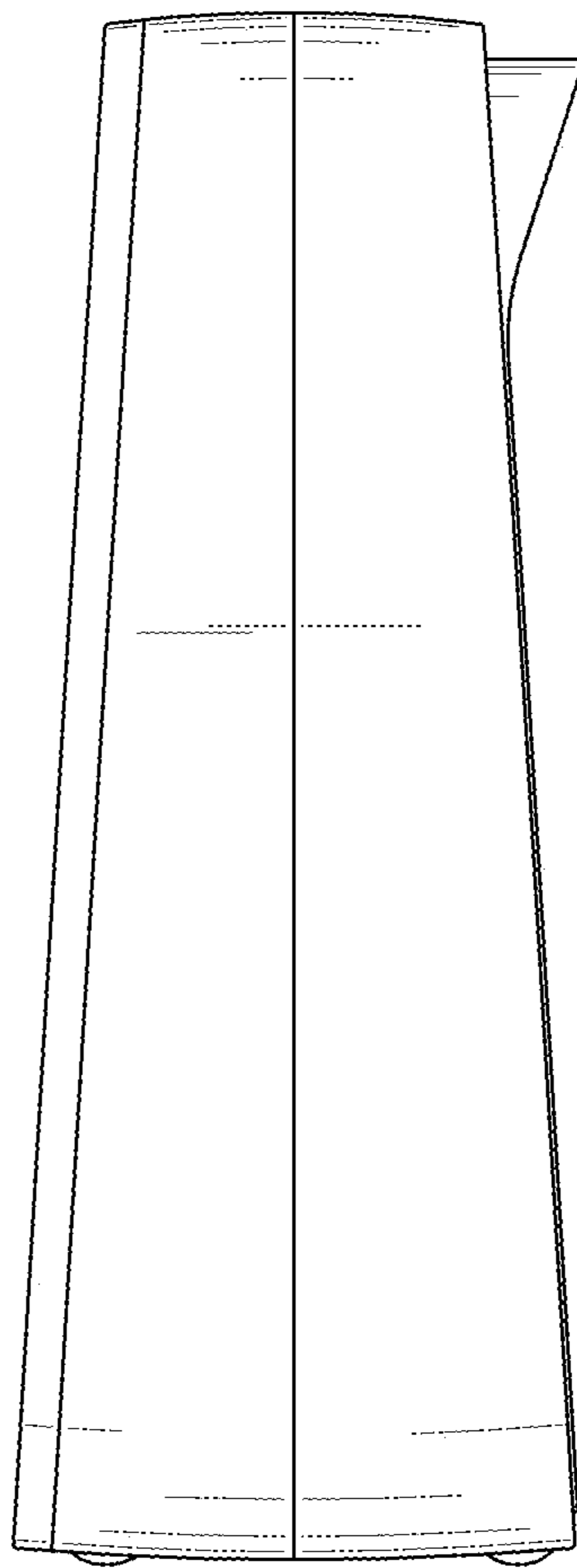


FIG. 6

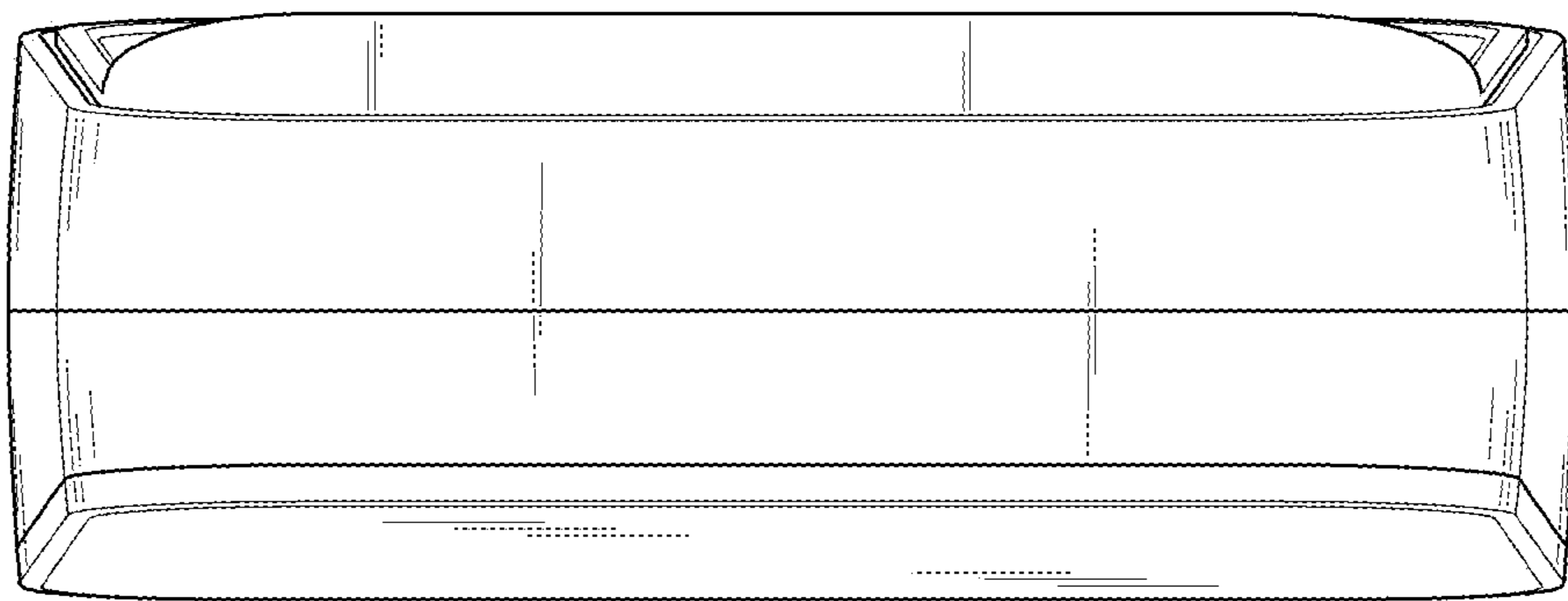


FIG. 7

