

US00D946734S

(12) **United States Design Patent**
Arinsmier et al.

(10) **Patent No.:** **US D946,734 S**
(45) **Date of Patent:** **** Mar. 22, 2022**

(54) **AIR FRESHENING DEVICE**

FOREIGN PATENT DOCUMENTS

(71) Applicant: **The Procter & Gamble Company**,
Cincinnati, OH (US)

CA 826565 A 11/1969
EP 000106133-0002 11/2003

(Continued)

(72) Inventors: **Keri Marsh Arinsmier**, Mason, OH (US); **William Michael Cannon**, West Harrison, OH (US); **Leslie Roselle Deaton**, Alexandria, KY (US); **Stephen Adam Hughett**, Columbus, OH (US); **Kevin Alan Clarridge**, Columbus, OH (US)

OTHER PUBLICATIONS

Procter & Gamble 76985 Febrez Plug Start Kit [Dec. 23, 2021] found online [Dec. 23, 2021]—<https://www.amazon.com/Procter-Gamble-76985-Febrez-Start/dp/B07HM87FRV>.*

(Continued)

(73) Assignee: **The Procter & Gamble Company**,
Cincinnati, OH (US)

Primary Examiner — John A Voytek

(74) *Attorney, Agent, or Firm* — Abbey A. Lopez

(**) Term: **15 Years**

(21) Appl. No.: **29/751,072**

(57) **CLAIM**

(22) Filed: **Sep. 18, 2020**

The ornamental design for an air freshening device, as shown and described.

Related U.S. Application Data

(60) Continuation of application No. 29/646,646, filed on May 7, 2018, now Pat. No. Des. 899,574, which is a
(Continued)

DESCRIPTION

(51) **LOC (13) Cl.** **28-99**

FIG. 1 is a perspective view of an embodiment of an air freshening device;

(52) **U.S. Cl.**
USPC **D23/366**

FIG. 2 is a front view of the air freshening device of FIG. 1; FIG. 3 is a rear view of the air freshening device of FIG. 1; FIG. 4 is a side view of the air freshening device of FIG. 1; FIG. 5 is a side view of the air freshening device of FIG. 1; opposite the side view shown in FIG. 4;

(58) **Field of Classification Search**
USPC D23/209, 355, 356, 358, 359, 360, 364, D23/365, 366, 367

FIG. 6 is a top view of the air freshening device of FIG. 1; and,

(Continued)

FIG. 7 is a bottom view of the air freshening device of FIG. 1.

(56) **References Cited**

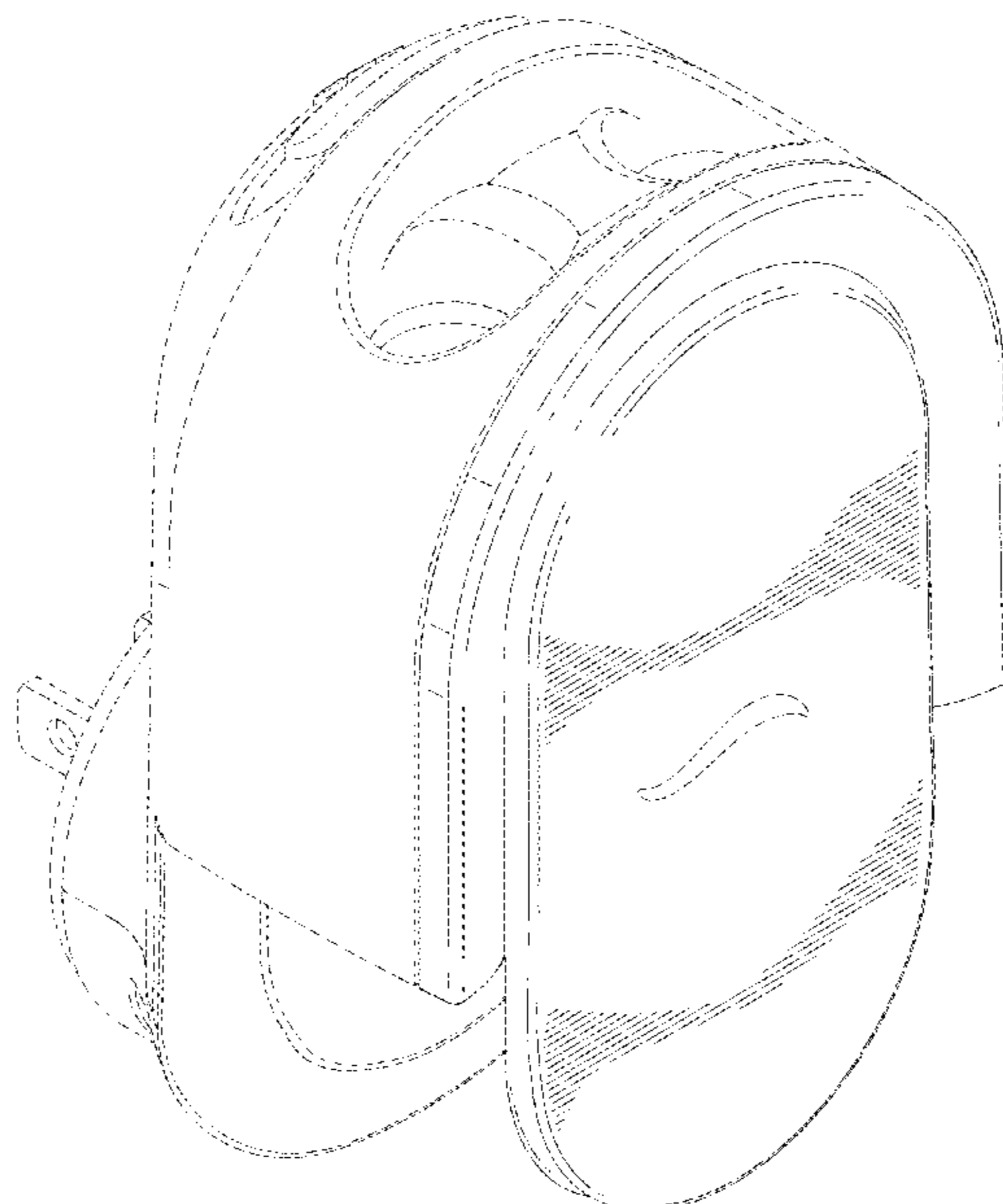
The broken lines shown in the drawings are for illustrative purposes only and form no part of the claimed design.

U.S. PATENT DOCUMENTS

D393,063 S 3/1998 Wefler
D456,713 S * 5/2002 Bried D9/447

(Continued)

1 Claim, 7 Drawing Sheets



Related U.S. Application Data

division of application No. 29/585,413, filed on Nov. 23, 2016, now abandoned.

(58) **Field of Classification Search**

CPC . A61L 9/03; A61L 9/012; A61L 9/015; A61L 9/037

See application file for complete search history.

(56) **References Cited**

U.S. PATENT DOCUMENTS

D456,886 S 5/2002 Hart
 D466,204 S 11/2002 Wolpert
 D473,638 S 4/2003 Cruver, IV
 D477,660 S 7/2003 Pampalona
 D501,921 S 2/2005 Caserta
 D508,558 S 8/2005 Wolpert
 D511,823 S 11/2005 Caserta
 D520,128 S 5/2006 Caserta
 D532,695 S * 11/2006 Grant D9/521
 D544,951 S 6/2007 Zobebe
 D552,225 S 10/2007 Borovicka
 D555,776 S * 11/2007 Chiu D23/364
 D574,941 S 8/2008 Weggelaar
 D575,383 S 8/2008 Dalal
 D604,823 S 11/2009 Schwartz
 D610,666 S 2/2010 Furner
 D611,585 S 3/2010 Gruenbacher
 D614,755 S 4/2010 Brewster
 D625,797 S 10/2010 Poves
 D659,818 S 5/2012 Belongia et al.
 D661,790 S 6/2012 Majerowski
 D663,018 S 7/2012 Sordo
 D672,861 S 12/2012 Adair
 D672,862 S 12/2012 Adair
 D689,999 S 9/2013 Viala
 D694,383 S 11/2013 Grzybowski
 D694,384 S 11/2013 Grzybowski
 D712,532 S 9/2014 Adair

D731,218 S * 6/2015 Broussard D6/692
 D735,907 S * 8/2015 Campagna D26/28
 9,364,574 B2 * 6/2016 Saleh A61L 9/122
 D794,766 S * 8/2017 Patton D23/366
 D806,851 S 1/2018 Bischoff
 D816,823 S * 5/2018 Gobber D23/366
 D825,047 S 8/2018 Brooks
 D829,876 S 10/2018 Arinsmier
 D838,823 S * 1/2019 Yu D23/364
 D869,606 S * 12/2019 Kyung D23/213
 D880,645 S * 4/2020 Gu D22/119
 D889,625 S * 7/2020 Alexander A61L 9/14
 D890,291 S * 7/2020 Rocha D22/122
 D899,574 S 10/2020 Arinsmier et al.
 2014/0037273 A1 * 2/2014 Jaworski A61L 9/037
 392/390
 2021/0069366 A1 * 3/2021 Camarero D Ez A61L 9/037

FOREIGN PATENT DOCUMENTS

EP 002910570-0002 12/2015
 FR 984469-0001 7/1998
 FR 20121480-0001 3/2012
 FR 20121480-0002 3/2012
 FR 20121480-0003 3/2012

OTHER PUBLICATIONS

“Febreze Plug Oil Warmer” found online at https://express.google.com/product/4527641783616541832_2366536000670117034_10046?mall=WashingtonDC&directCheckout=1&utm_source=google_shopping&utm_medium=product_ads&utm_campaign=gsx.
 Terapeak, “Glade lot of various air fresheners reference”, found online at <https://www.terapeak.com/worth/plug-in-air-fresheners-lot-ofu-5-glade-plug-in-wall-devices-varied/301791877263/>, dated Jul. 7, 2017; 2 Pages.
 All Office Actions, U.S. Appl. No. 29/585,413.
 All Office Actions, U.S. Appl. No. 29/646,646.

* cited by examiner

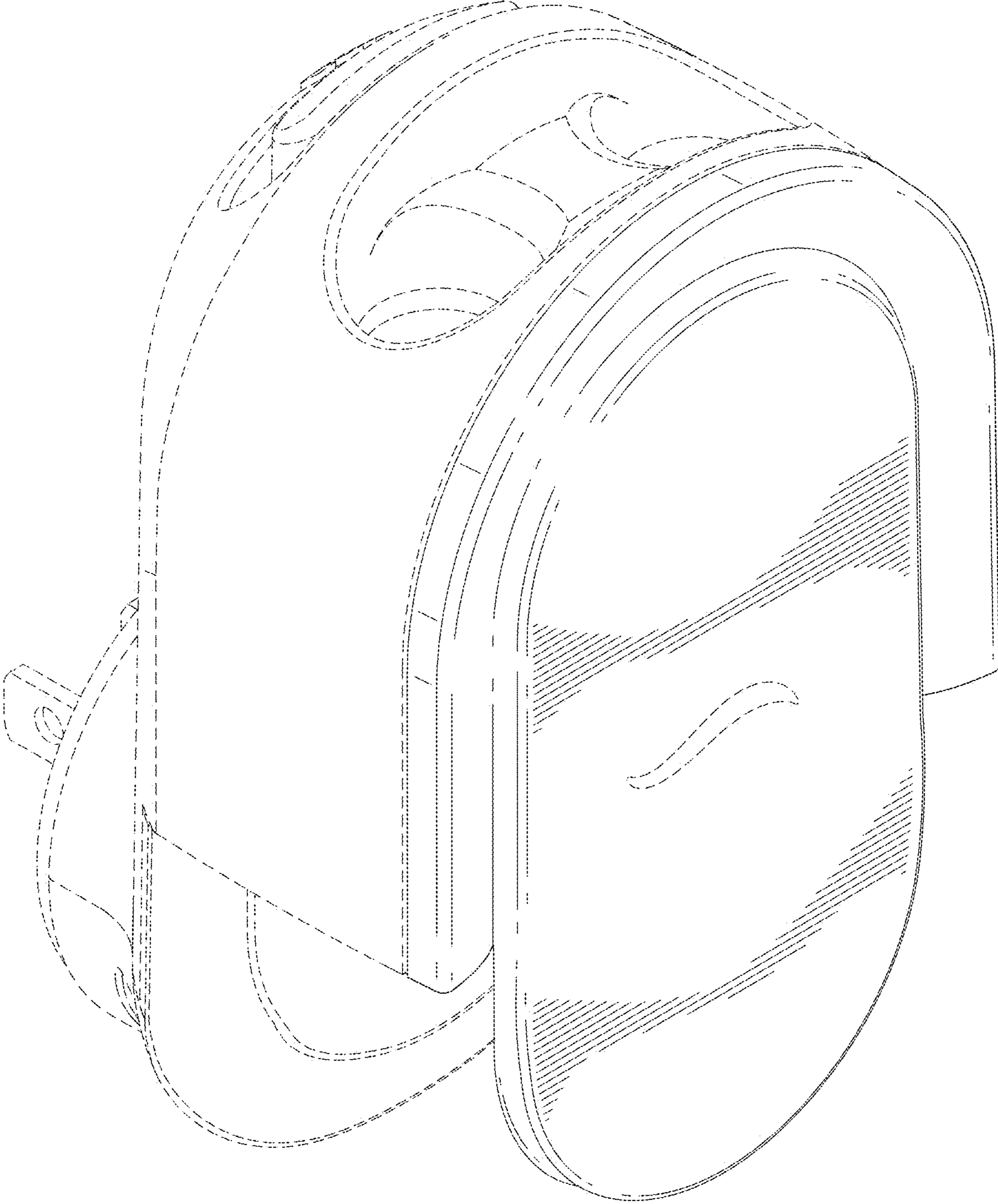


FIG. 1

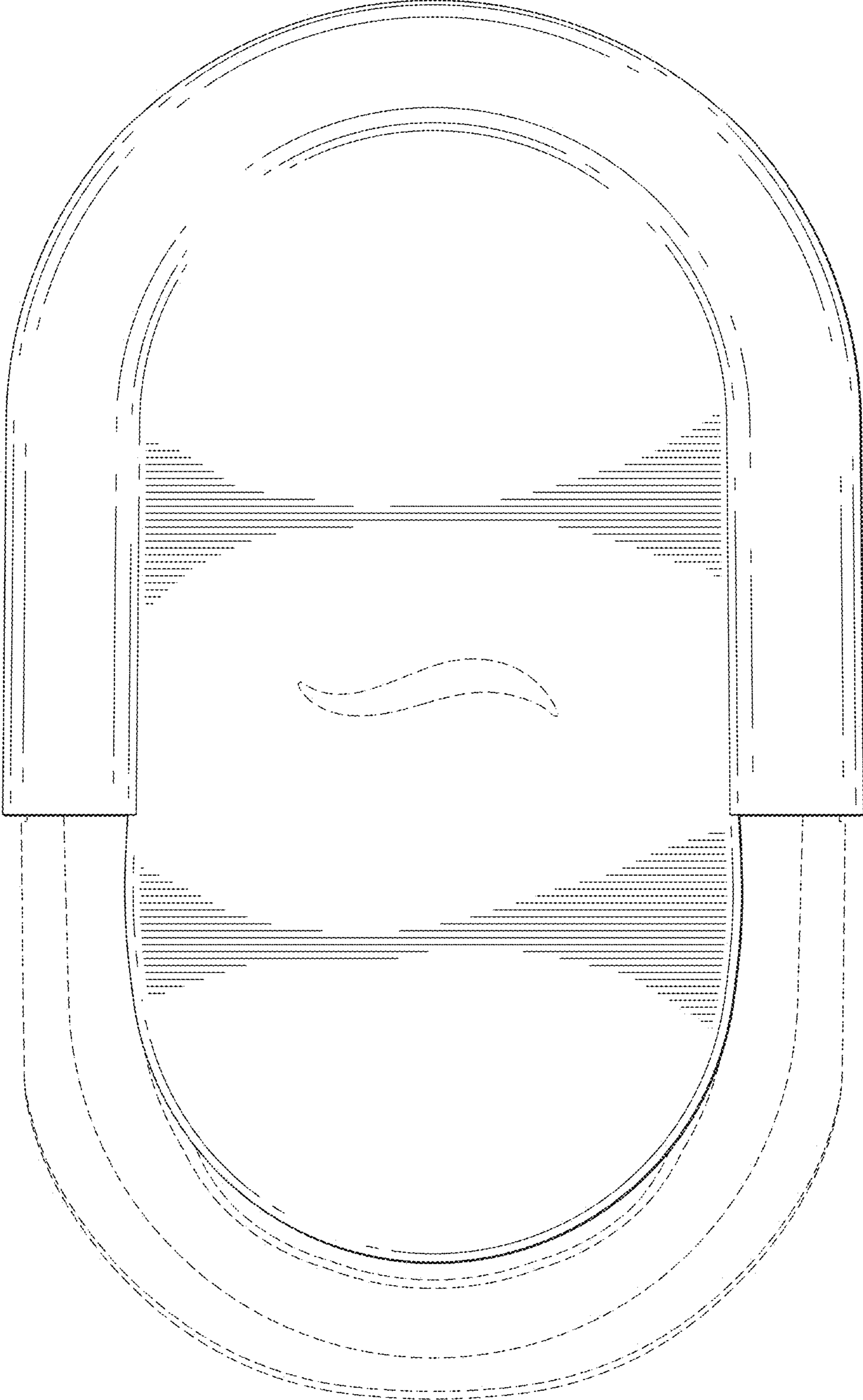


FIG. 2

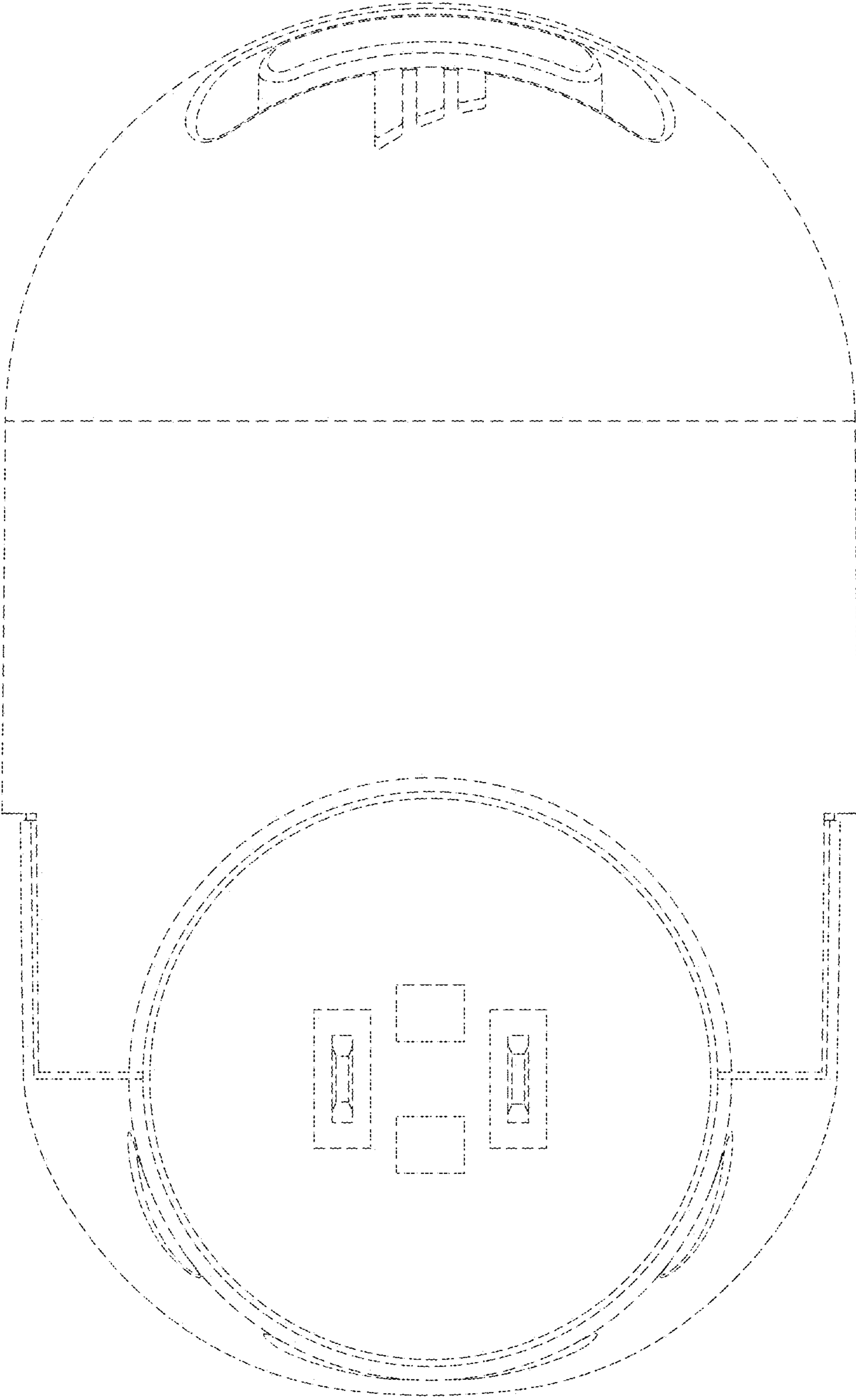


FIG. 3

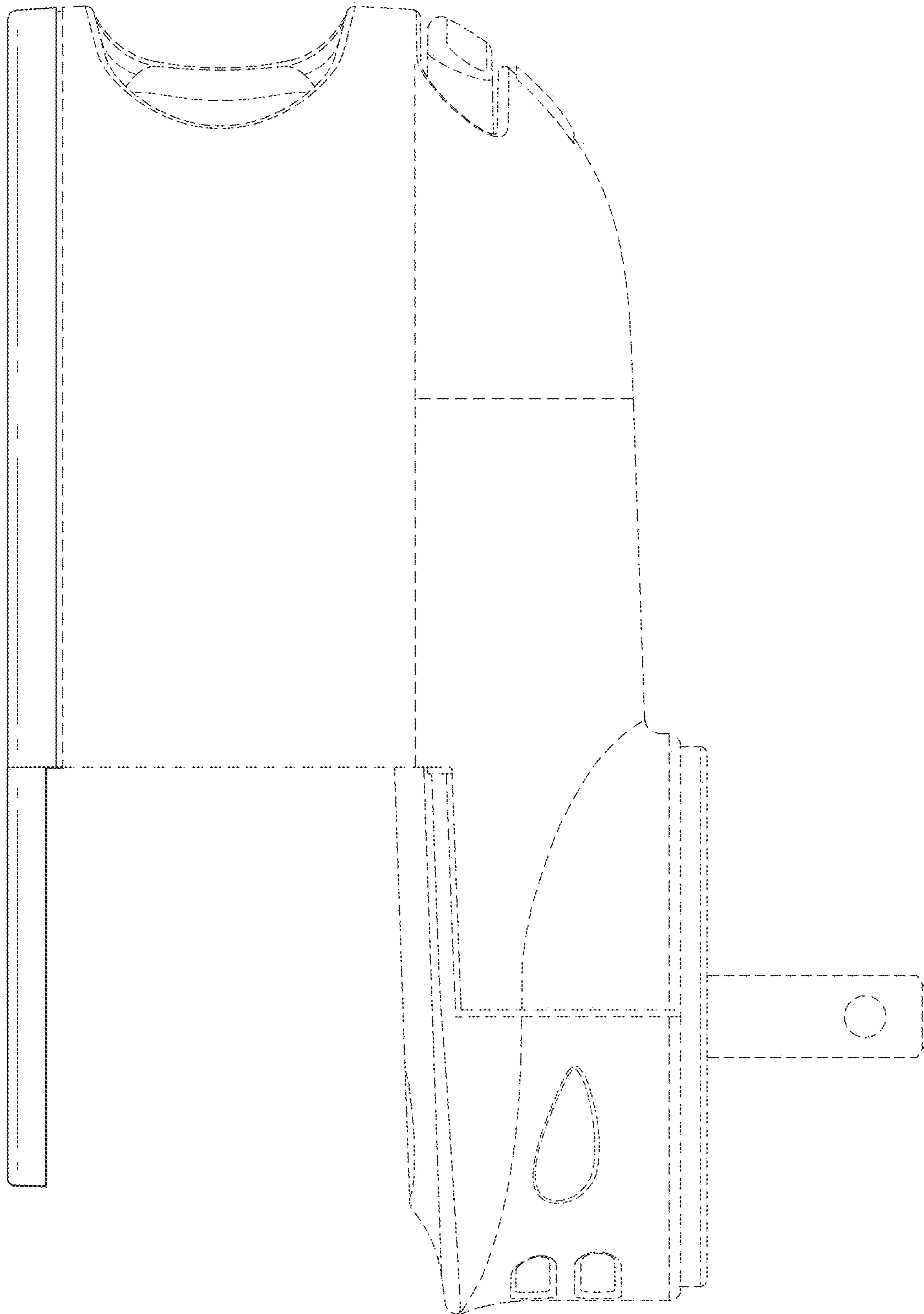


FIG. 4

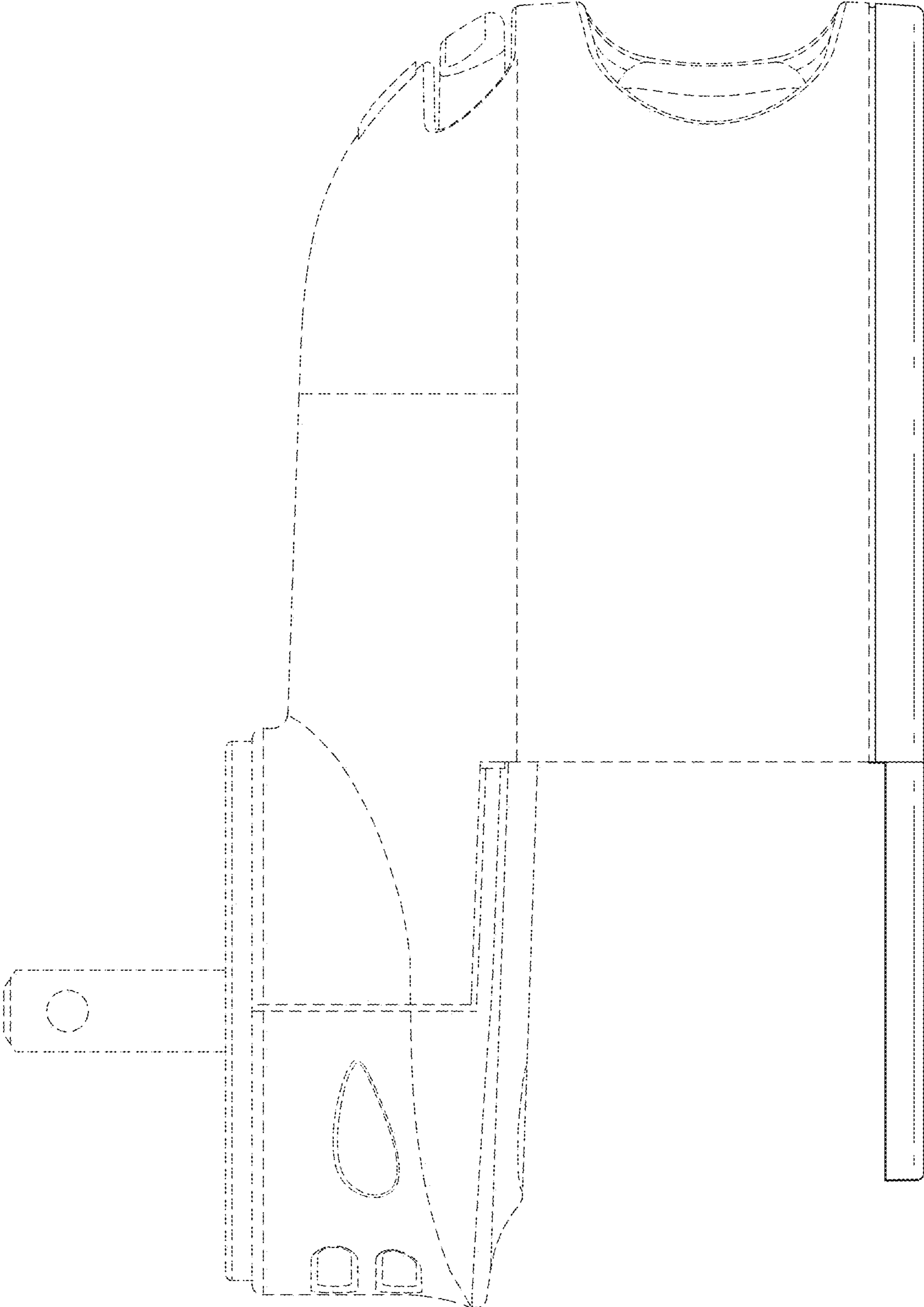


FIG. 5

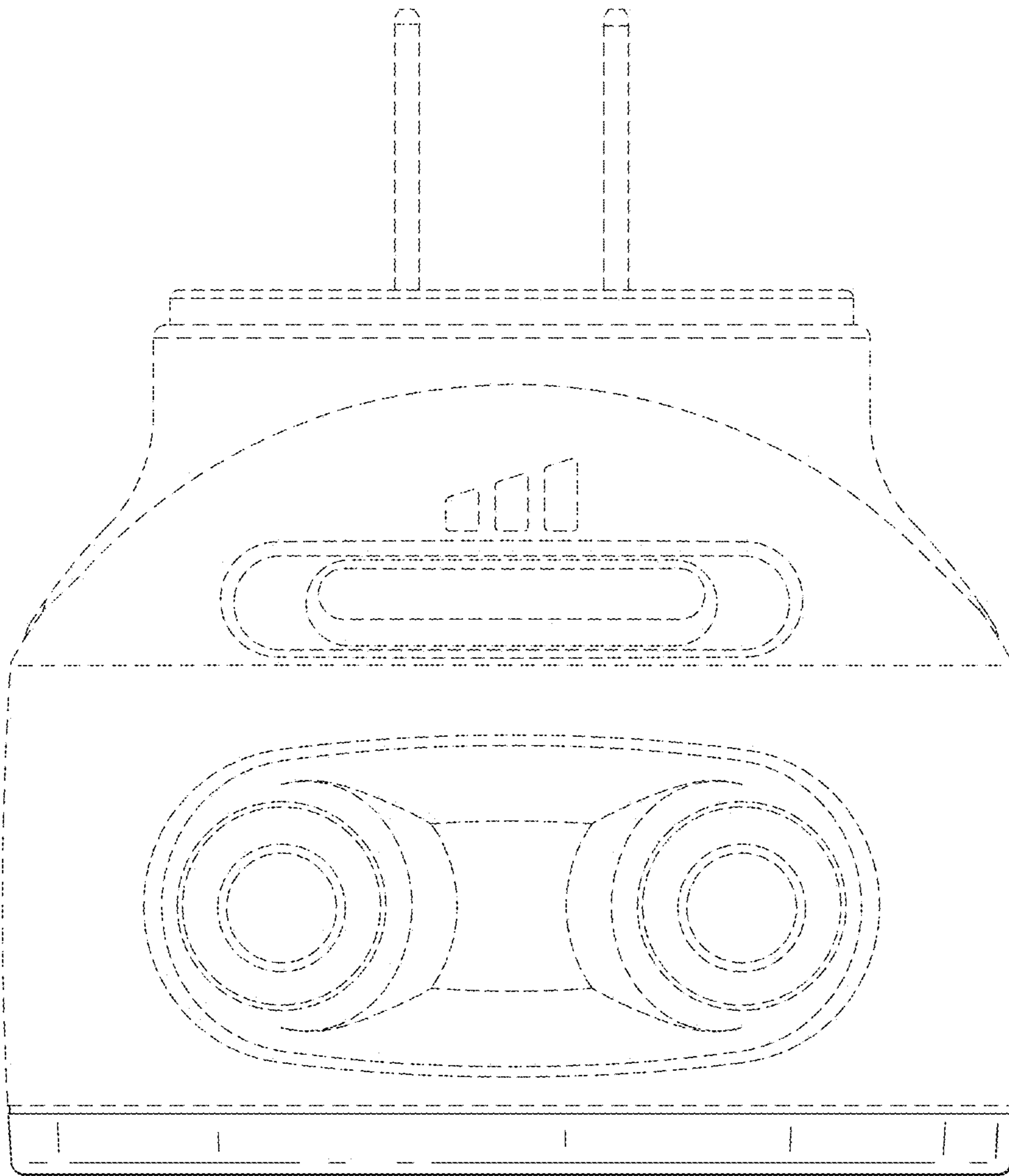


FIG. 6

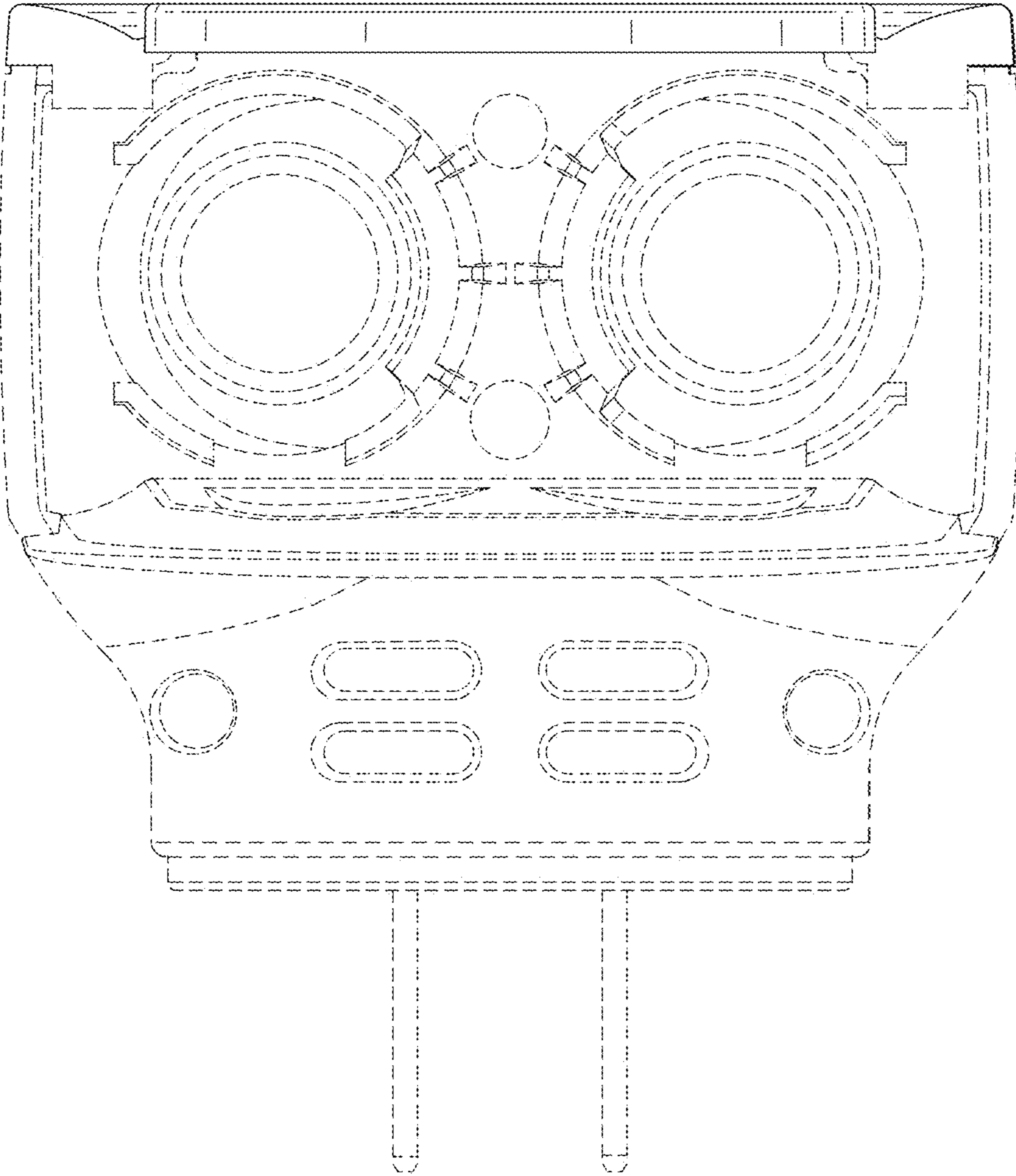


FIG. 7