



US00D946733S

(12) **United States Design Patent**  
**Stanhope et al.**

(10) **Patent No.: US D946,733 S**

(45) **Date of Patent: \*\* Mar. 22, 2022**

(54) **FILTER FRAME**

(71) Applicant: **CHAMPION LABORATORIES, INC.**, Albion, IL (US)

(72) Inventors: **Kent C. Stanhope**, Albion, IL (US);  
**John E. Simms**, Albion, IL (US)

(73) Assignee: **CHAMPION LABORATORIES, INC.**, Albion, IL (US)

(\*\*) Term: **15 Years**

(21) Appl. No.: **29/740,501**

(22) Filed: **Jul. 5, 2020**

(51) **LOC (13) Cl.** ..... **23-04**

(52) **U.S. Cl.**  
USPC ..... **D23/365**

(58) **Field of Classification Search**  
USPC ..... D23/209, 210, 259, 260, 354, 364, 365,  
D23/386, 393; D15/5  
CPC ..... B01D 46/0002; B01D 46/0004; B01D  
46/0005; F24F 8/192; F24F 8/194; F24M  
35/04  
See application file for complete search history.

(56) **References Cited**

**U.S. PATENT DOCUMENTS**

- 3,688,908 A \* 9/1972 Myers ..... B01D 35/0273  
210/167.16
- D461,003 S \* 7/2002 Gieseke ..... B01D 46/527  
D23/365
- D483,459 S \* 12/2003 DeWit ..... D23/365
- D484,584 S \* 12/2003 Anderson ..... D23/365
- D709,919 S \* 7/2014 Fairchild ..... D15/5
- D793,453 S \* 8/2017 Krull ..... D15/5
- D794,082 S \* 8/2017 Krull ..... D15/5
- D798,907 S \* 10/2017 Krull ..... D15/5
- D819,698 S \* 6/2018 Krull ..... D15/5
- D819,699 S \* 6/2018 Krull ..... D15/5
- D852,345 S \* 6/2019 Stanhope ..... D23/365

- D884,866 S \* 5/2020 Knight ..... D23/365
- 2003/0217534 A1 \* 11/2003 Krisko ..... B01D 46/525  
55/337
- 2005/0166561 A1 \* 8/2005 Schrage ..... B01D 46/528  
55/498
- 2005/0229561 A1 \* 10/2005 Nepsund ..... B01D 46/4227  
55/481
- 2007/0289265 A1 \* 12/2007 Coulonvaux ..... B01D 46/0023  
55/324
- 2008/0016832 A1 \* 1/2008 Krisko ..... B01D 46/4227  
55/342
- 2009/0320423 A1 \* 12/2009 Merritt ..... B01D 46/2414  
55/498
- 2009/0320424 A1 \* 12/2009 Merritt ..... B01D 46/0001  
55/502

(Continued)

**OTHER PUBLICATIONS**

PG Air Filter PA5821, Jul. 11, 2018, Amazon, site visited Dec. 17, 2021: <https://www.amazon.com/dp/B07FDYM17W/> (Year: 2018).\*

(Continued)

*Primary Examiner* — Jack Reickel  
*Assistant Examiner* — Bobby W Jones, II  
(74) *Attorney, Agent, or Firm* — Bryan Cave Leighton Paisner LLP

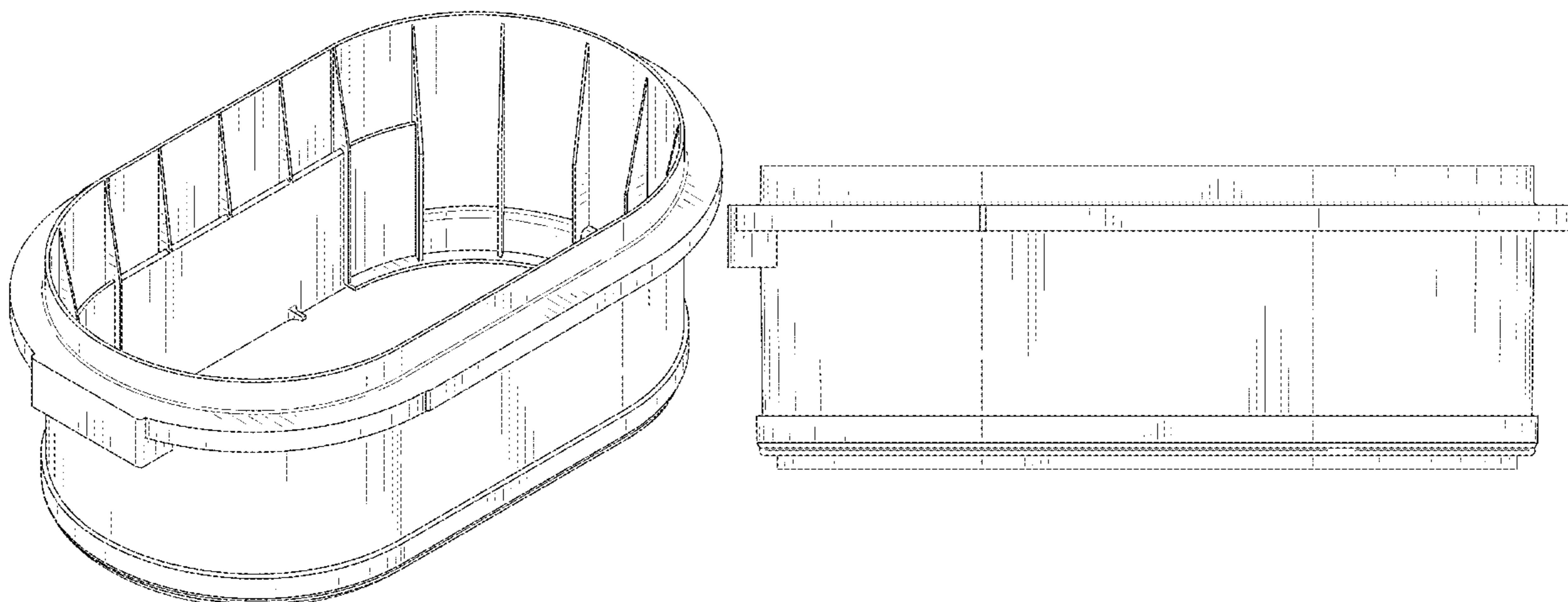
(57) **CLAIM**

The ornamental design for a filter frame, as shown and described.

**DESCRIPTION**

FIG. 1 is a front perspective view of a filter frame;  
FIG. 2 is a front elevational view thereof;  
FIG. 3 is a rear elevational view thereof;  
FIG. 4 is a right side elevational view thereof;  
FIG. 5 is left side elevational view thereof;  
FIG. 6 is a top view thereof; and,  
FIG. 7 is a bottom view thereof.

**1 Claim, 6 Drawing Sheets**



(56)

**References Cited**

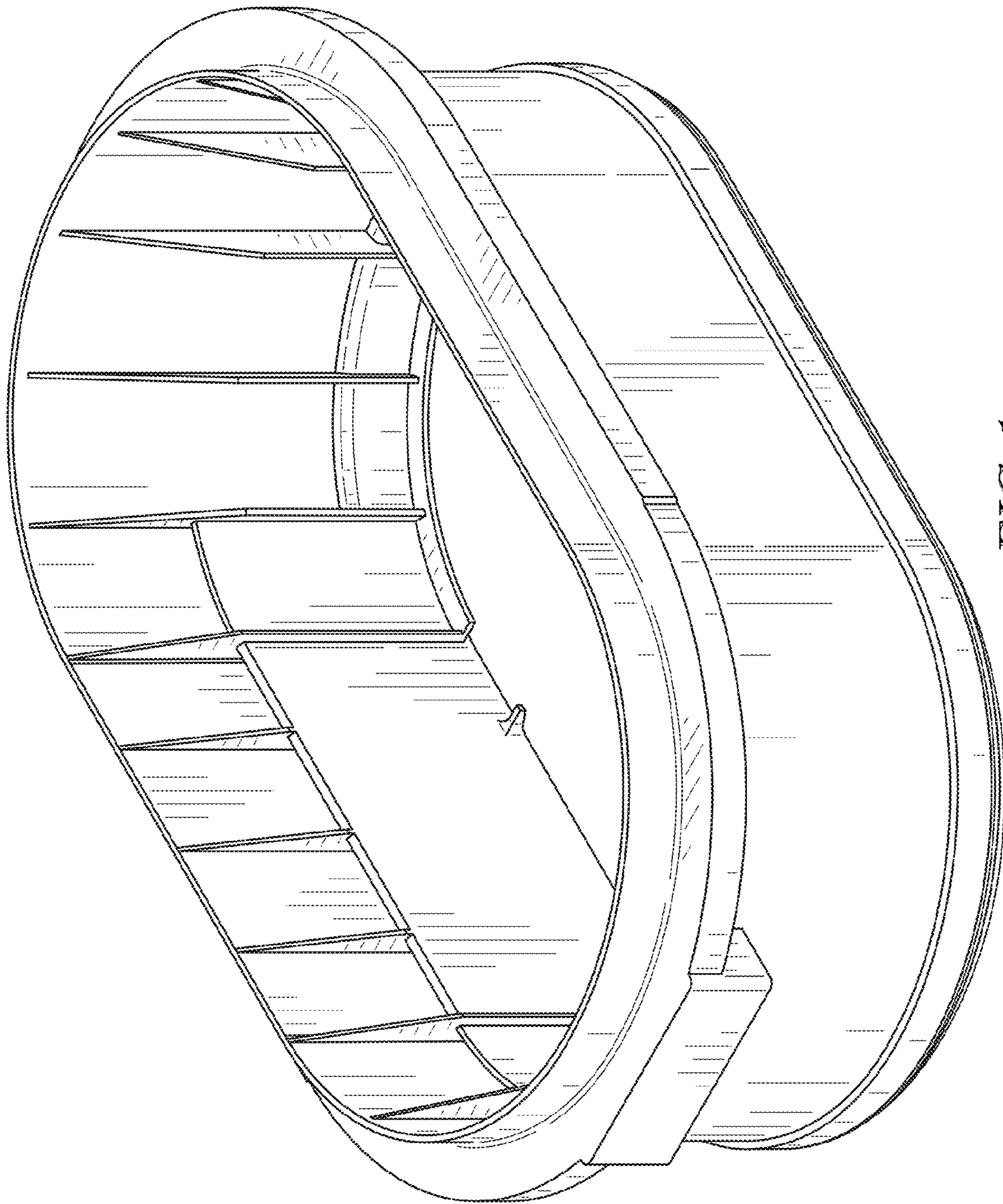
U.S. PATENT DOCUMENTS

2010/0252495 A1\* 10/2010 Reid ..... B01D 29/012  
210/339  
2014/0250843 A1\* 9/2014 Krull ..... B01D 46/525  
55/357  
2018/0361293 A1\* 12/2018 Krull ..... F16J 15/10  
2019/0308125 A1\* 10/2019 Neef ..... B01D 27/08  
2020/0324237 A1\* 10/2020 Moers ..... B01D 50/002  
2020/0346160 A1\* 11/2020 Rieger ..... B01D 50/002

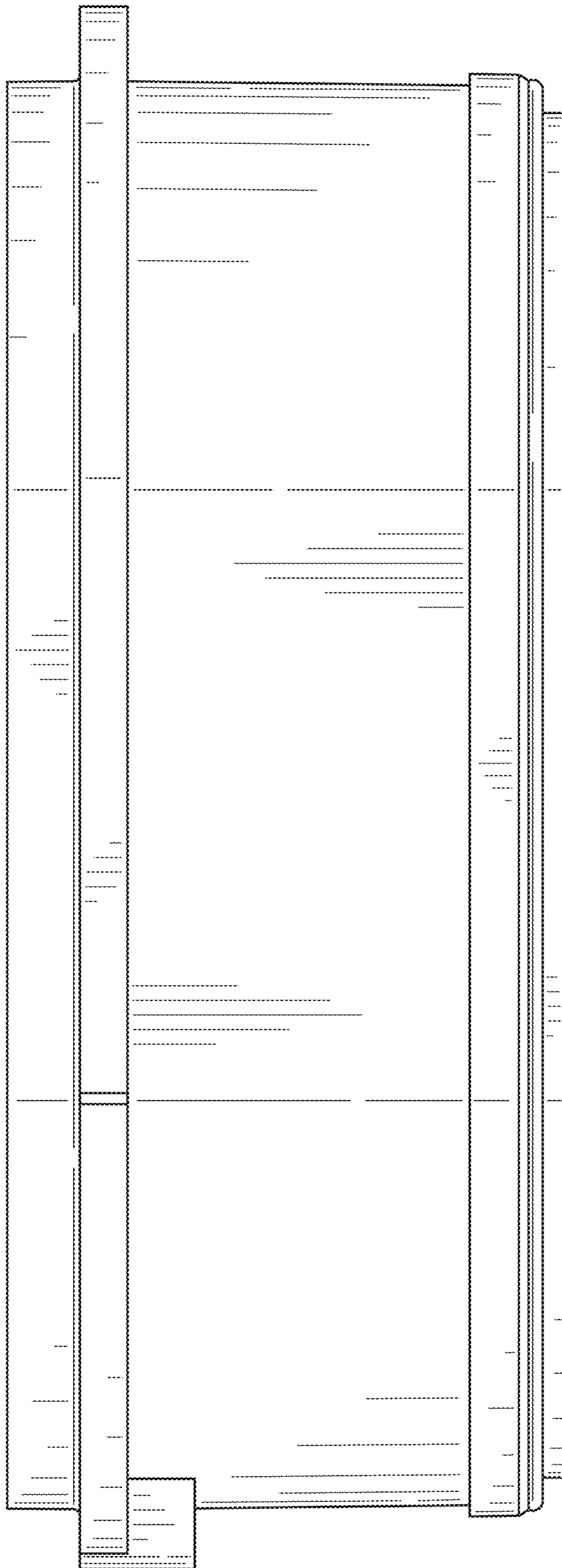
OTHER PUBLICATIONS

Baldwin Filters photo, Sep. 28, 2016, Facebook, site visited Dec.  
27, 2021: [https://www.facebook.com/BaldwinFilters/photos/a.  
358228144209910/1280441658655216/?type=3](https://www.facebook.com/BaldwinFilters/photos/a.358228144209910/1280441658655216/?type=3) (Year: 2016).\*

\* cited by examiner

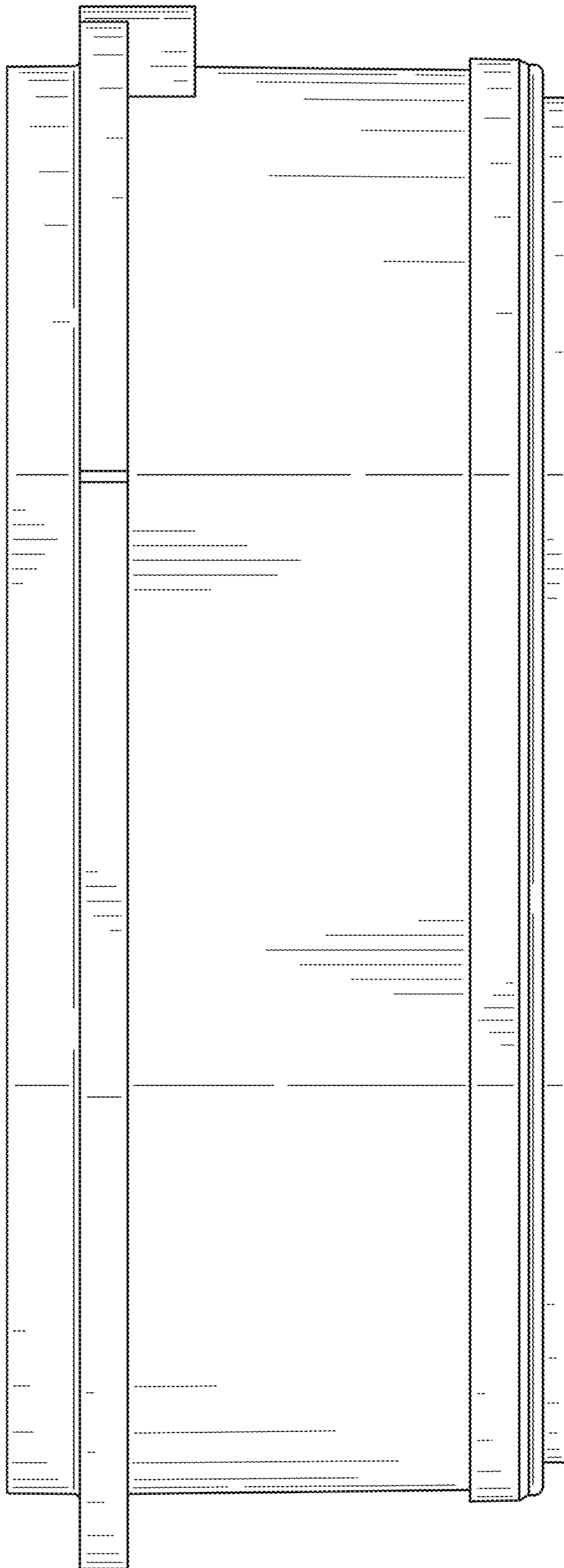


*FIG. 1*

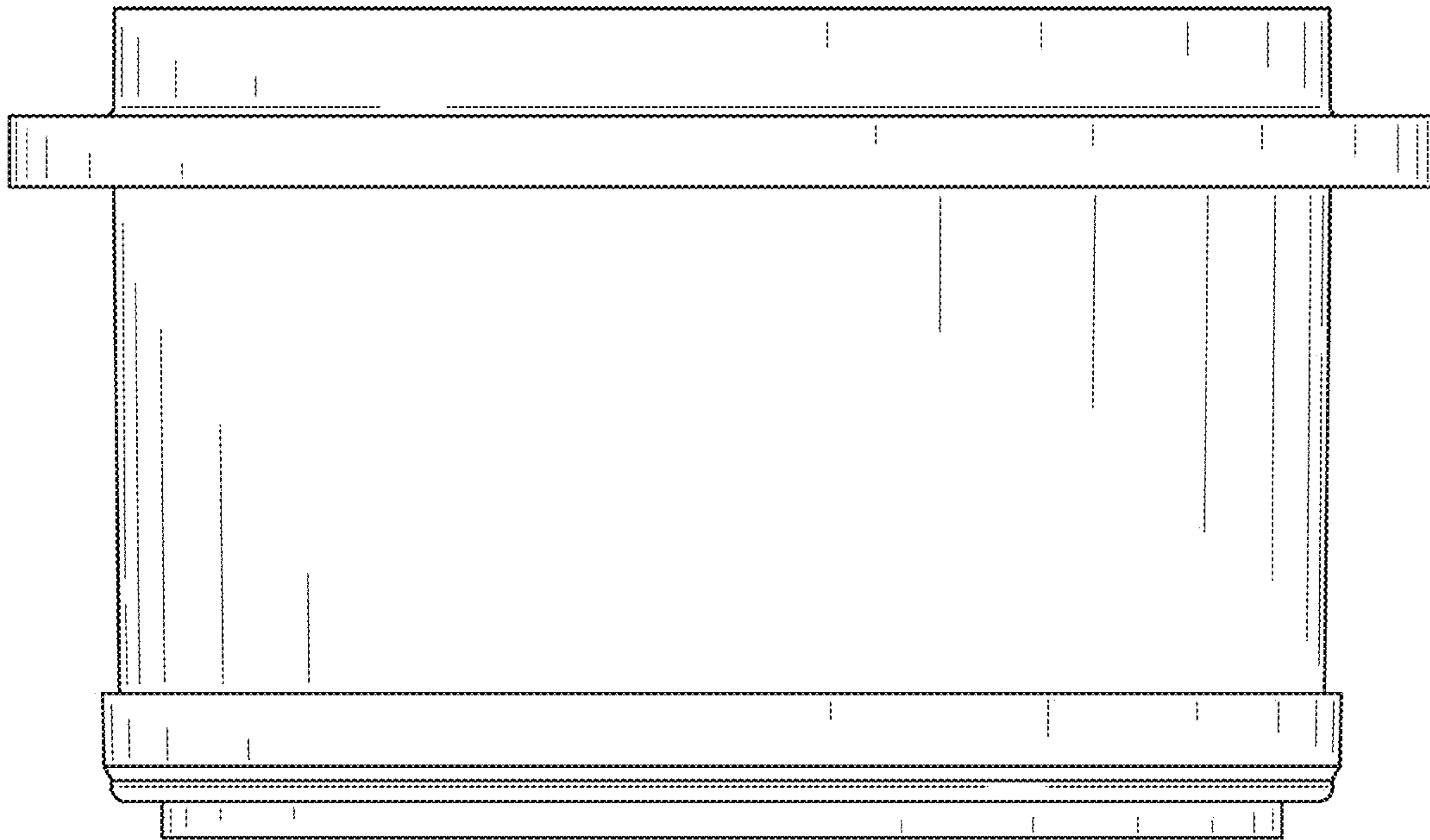


*FIG. 2*

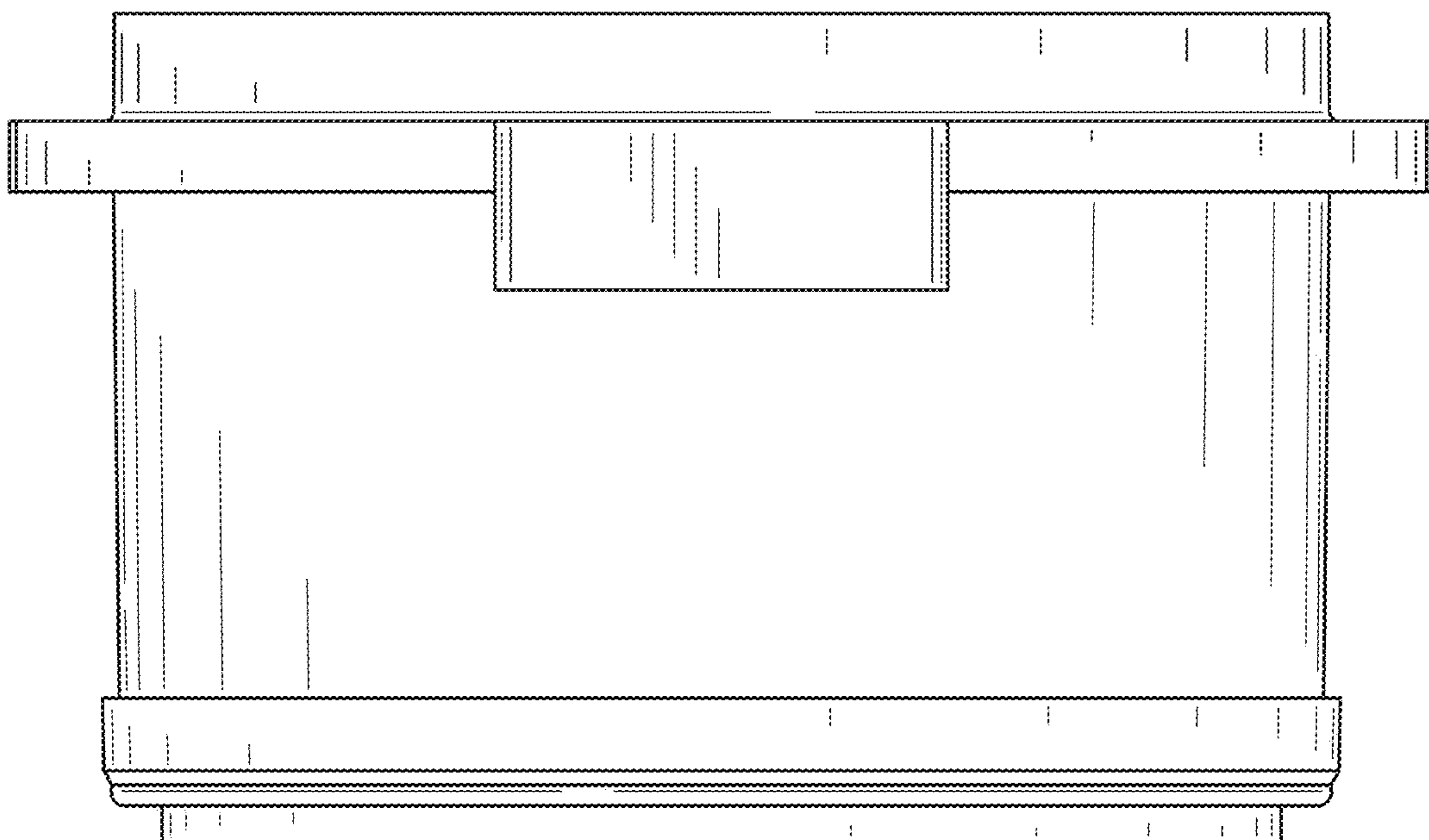




*FIG. 3*



*FIG. 4*



*FIG. 5*

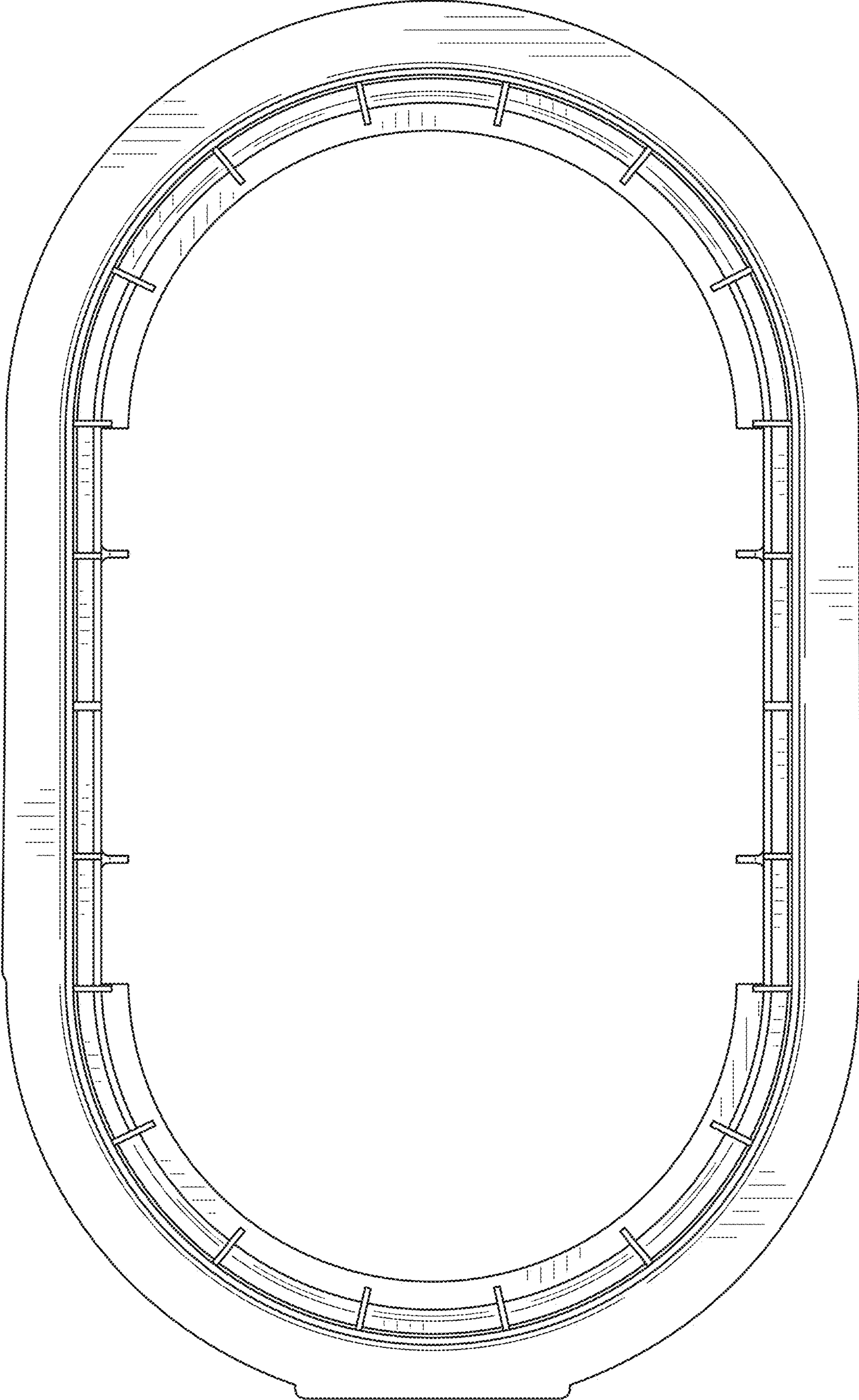


FIG. 6

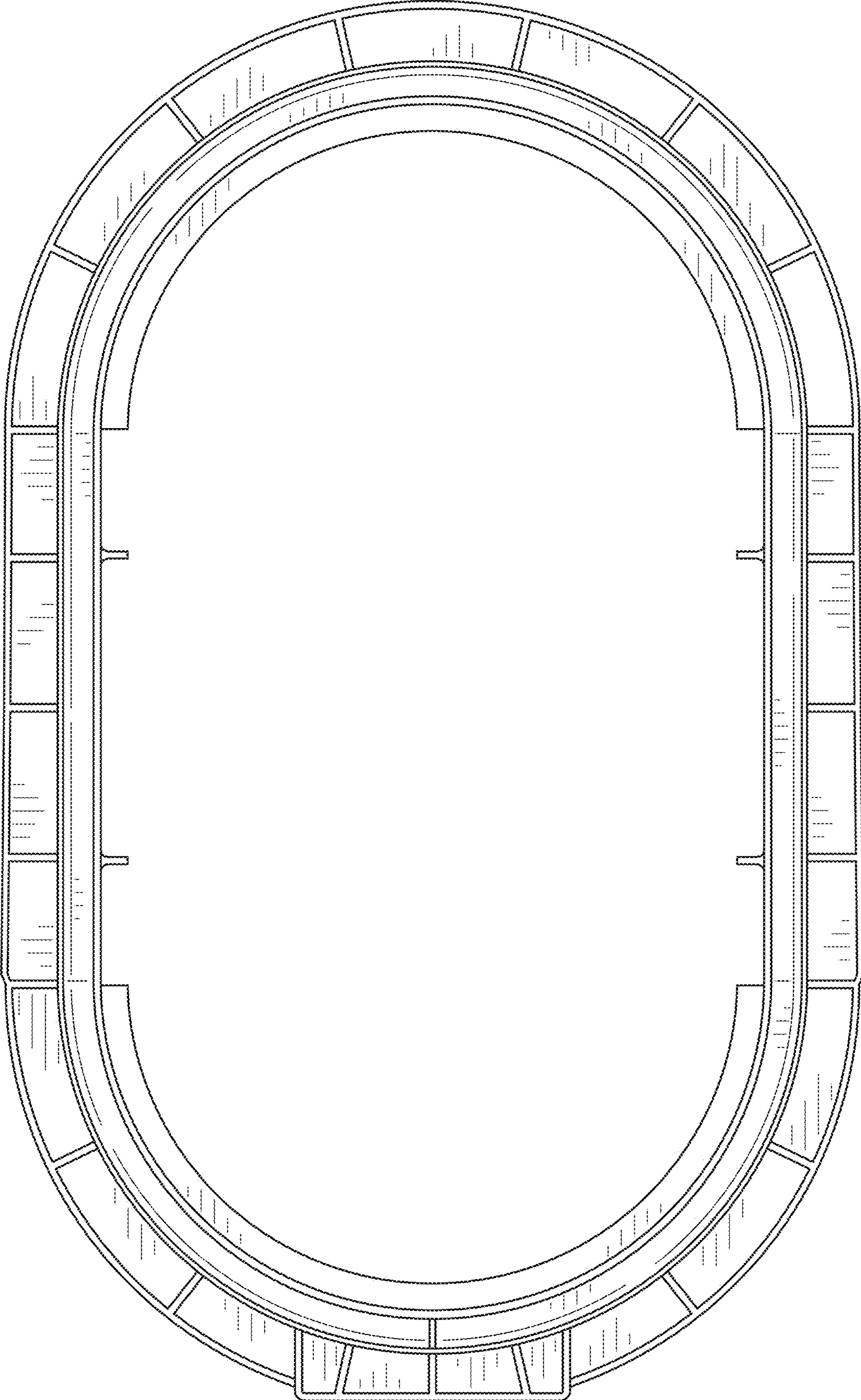


FIG. 7