



US00D946732S

(12) **United States Design Patent**
Xu et al.

(10) **Patent No.:** **US D946,732 S**
(45) **Date of Patent:** **** Mar. 22, 2022**

(54) **AIR PURIFIER**
(71) Applicant: **AUKEY TECHNOLOGY CO., LTD,**
Shenzhen (CN)
(72) Inventors: **Long Xu,** Shenzhen (CN); **Jialin Zeng,**
Shenzhen (CN)
(73) Assignee: **AUKEY TECHNOLOGY CO., LTD,**
Shenzhen (CN)

D905,220 S * 12/2020 Farone D23/364
D905,841 S * 12/2020 Cao D23/364
D906,501 S * 12/2020 Lim D23/364
D918,371 S * 5/2021 Zeng D23/364
D935,590 S * 11/2021 Xu D23/364
D935,591 S * 11/2021 Xu D23/364
D938,565 S * 12/2021 Yang D23/364
D938,566 S * 12/2021 Yang D23/364
D939,071 S * 12/2021 Seo D23/364

* cited by examiner

(**) Term: **15 Years**

Primary Examiner — David G Muller

(21) Appl. No.: **29/765,623**

(57) **CLAIM**

The ornamental design for an air purifier, as shown and described.

(22) Filed: **Jan. 11, 2021**

DESCRIPTION

(51) **LOC (13) Cl.** **23-04**

(52) **U.S. Cl.**
USPC **D23/364**

(58) **Field of Classification Search**
USPC D23/355–366, 352, 369, 332, 333, 335,
D23/336, 342, 351; 422/120, 122;
55/356, 473, 504; 96/97; 261/DIG. 17,
261/DIG. 65, DIG. 88, DIG. 31
CPC .. A61L 9/16; A61L 9/22; B01D 47/00; B01D
47/027; B01D 2221/02; B01D 2259/4508;
B03C 3/155; B03C 3/368; F24F 3/16;
F24F 13/20; F24F 13/28
See application file for complete search history.

FIG. 1 is a first perspective view of an air purifier showing the claimed design in accordance with the present disclosure;
FIG. 2 is a second perspective view thereof;
FIG. 3 is a front elevational view thereof;
FIG. 4 is a rear elevational view thereof;
FIG. 5 is a left side elevational view thereof;
FIG. 6 is a right side elevational view thereof;
FIG. 7 is a top plan view thereof;
FIG. 8 is a bottom plan view thereof; and,
FIG. 9 is an enlarged view of an encircled portion 9 of the FIG. 1.

The broken lines in the Figures are for the purpose of illustrating portions of the article that form no part of the claimed design.

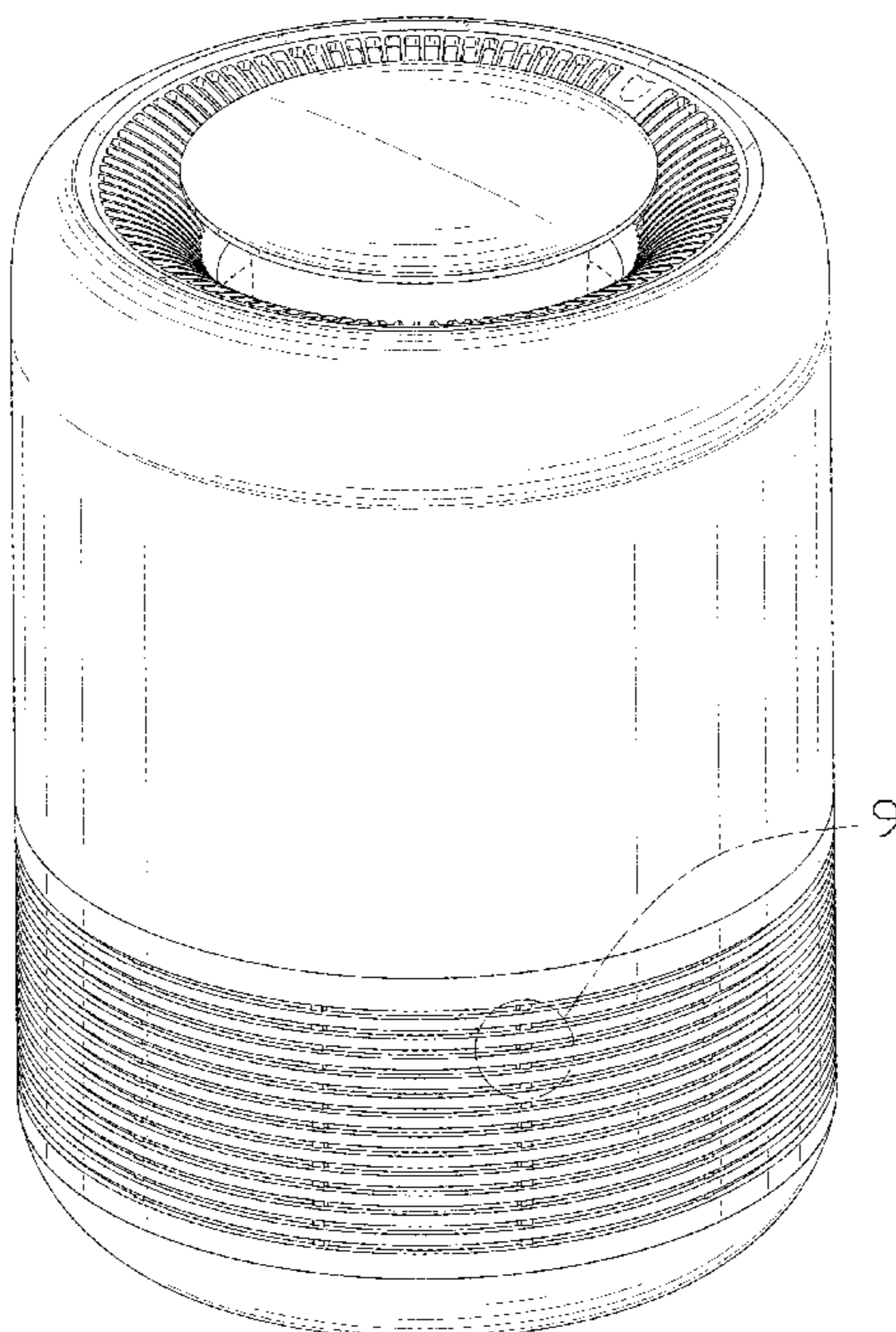
The dash-broken lines encircling portions of the claimed design that are illustrated in enlargements form no part of the claimed design.

(56) **References Cited**

U.S. PATENT DOCUMENTS

D877,874 S * 3/2020 Liu D23/364
D882,056 S * 4/2020 Baillie D23/364
D886,272 S * 6/2020 Yang D23/364
D886,975 S * 6/2020 Yang D23/364

1 Claim, 9 Drawing Sheets



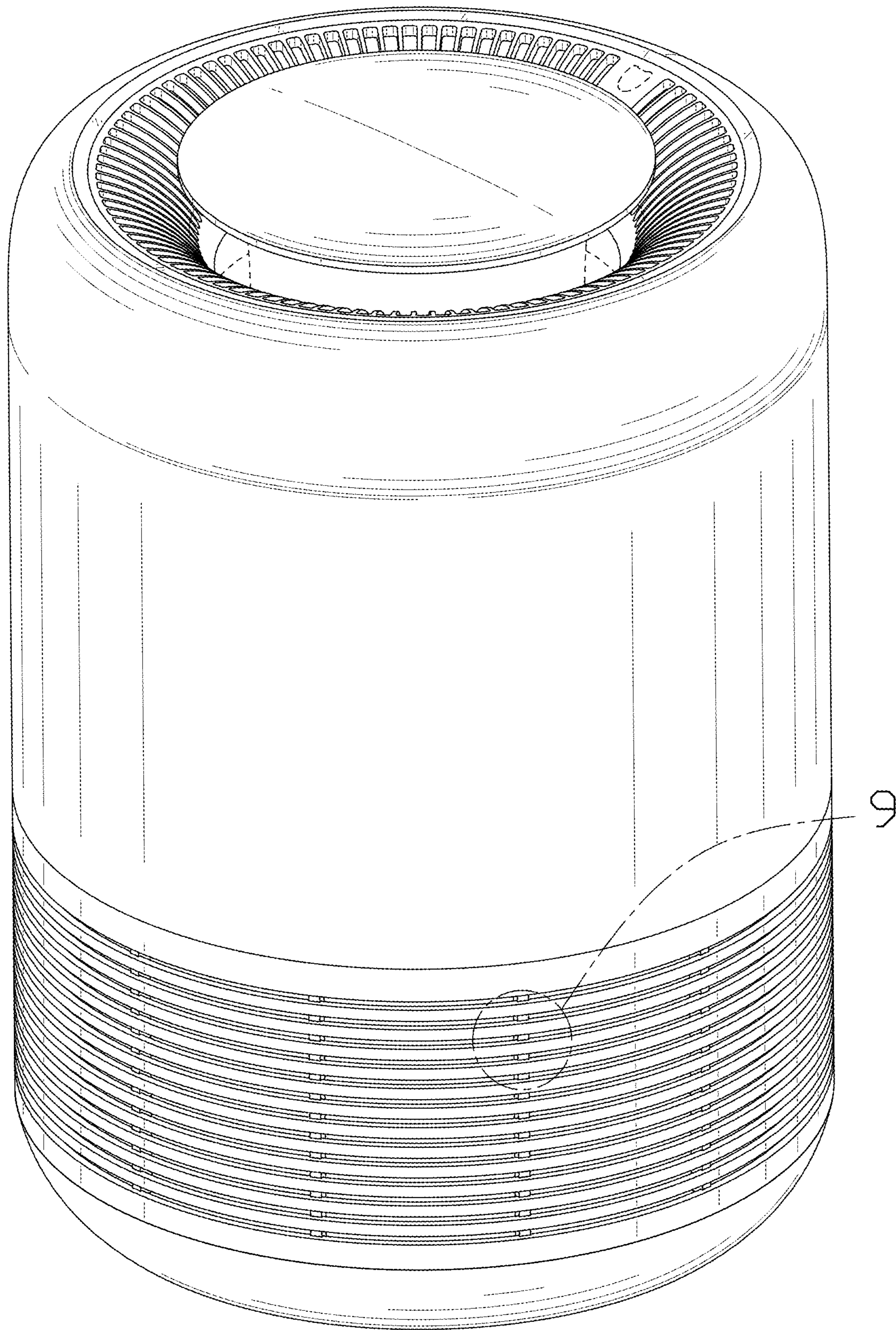


FIG. 1

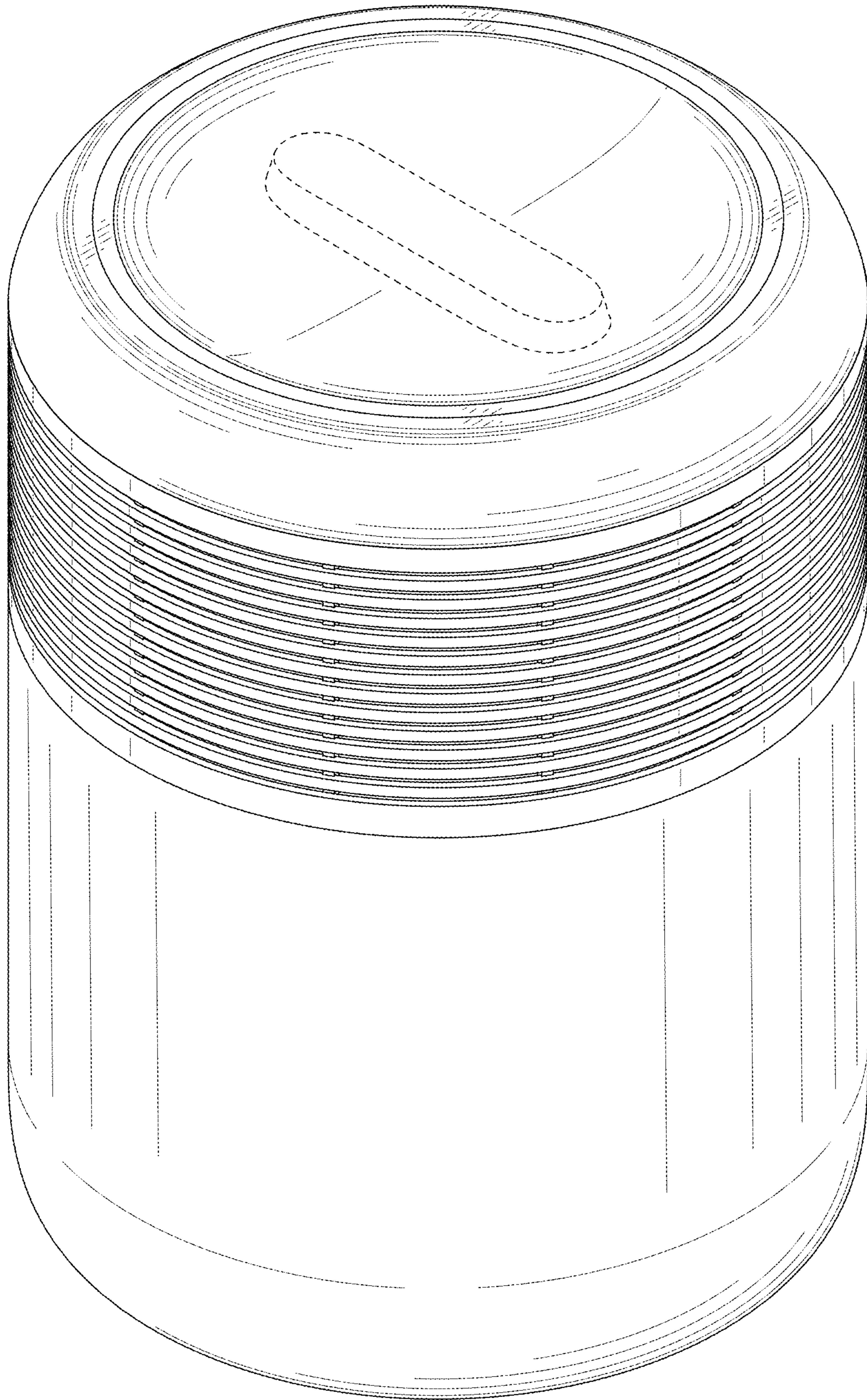


FIG. 2

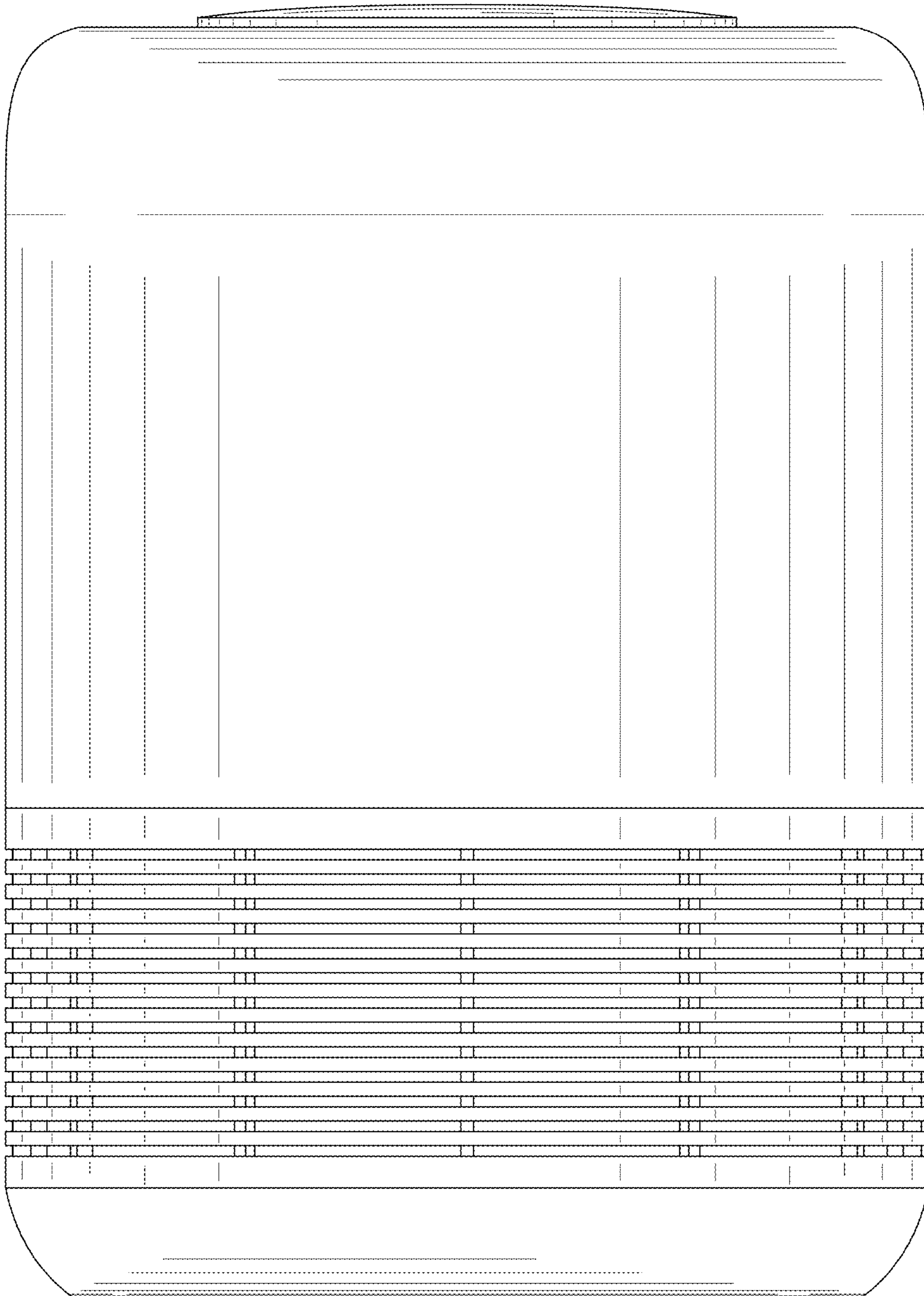


FIG. 3

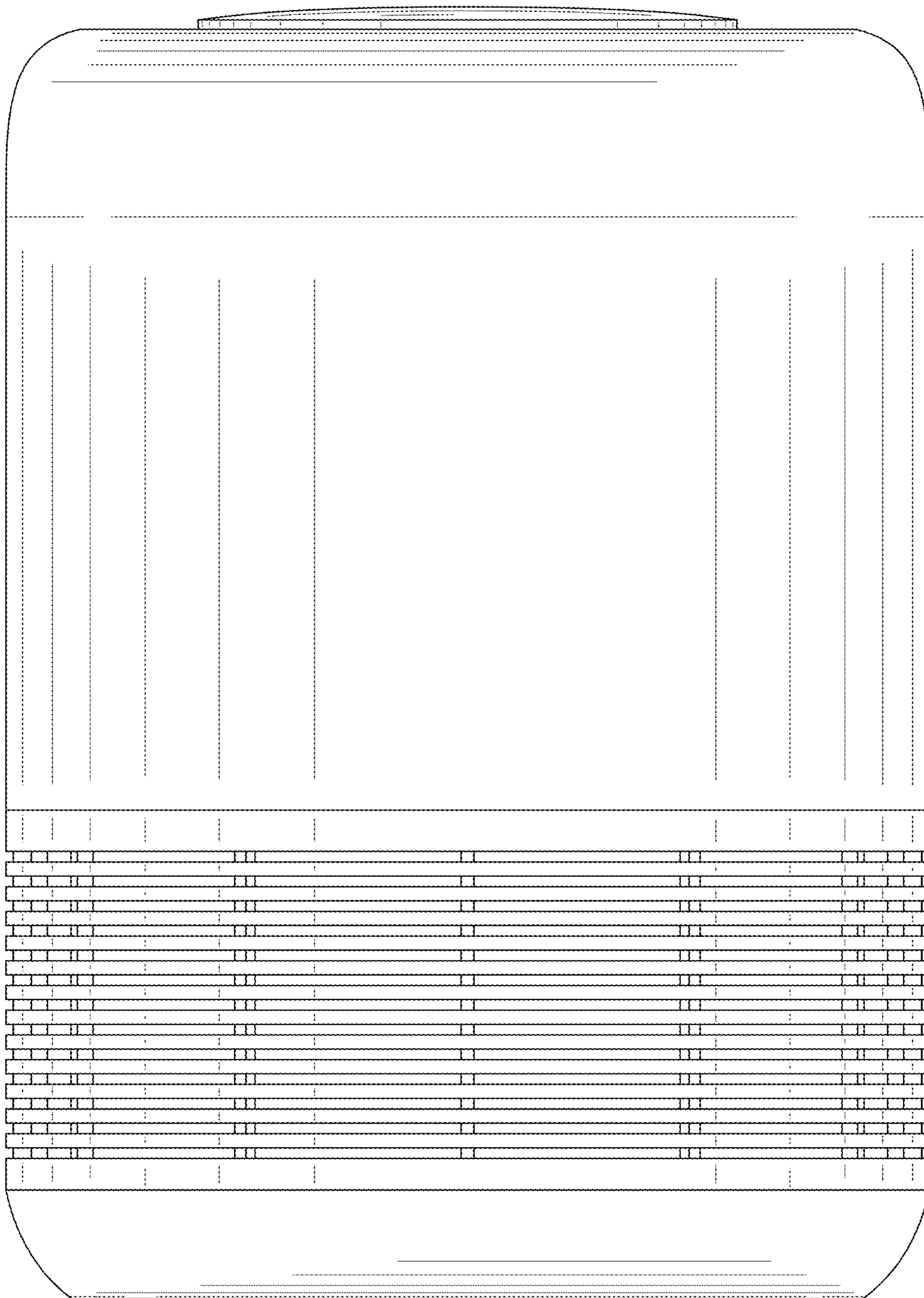


FIG. 4

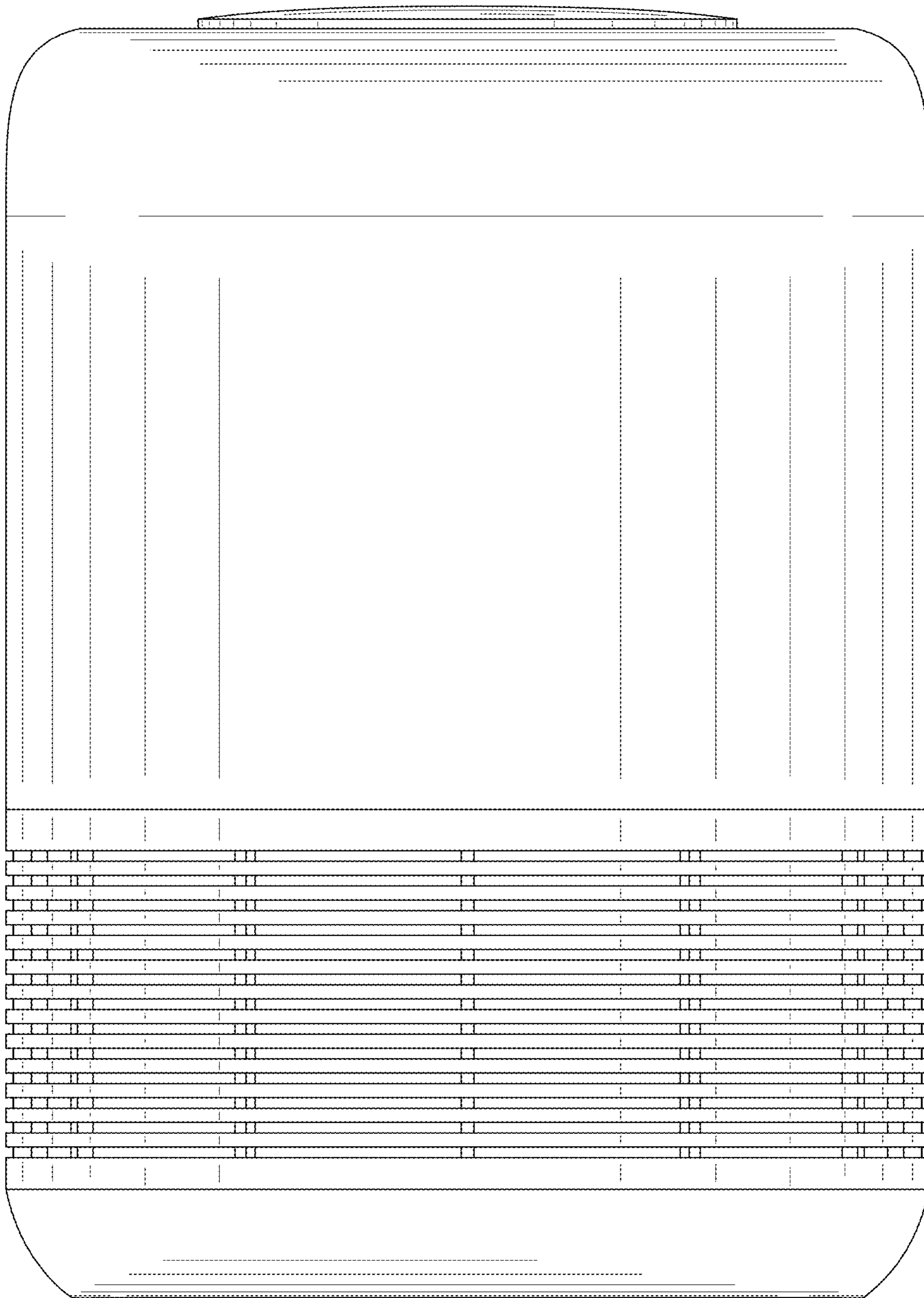


FIG. 5

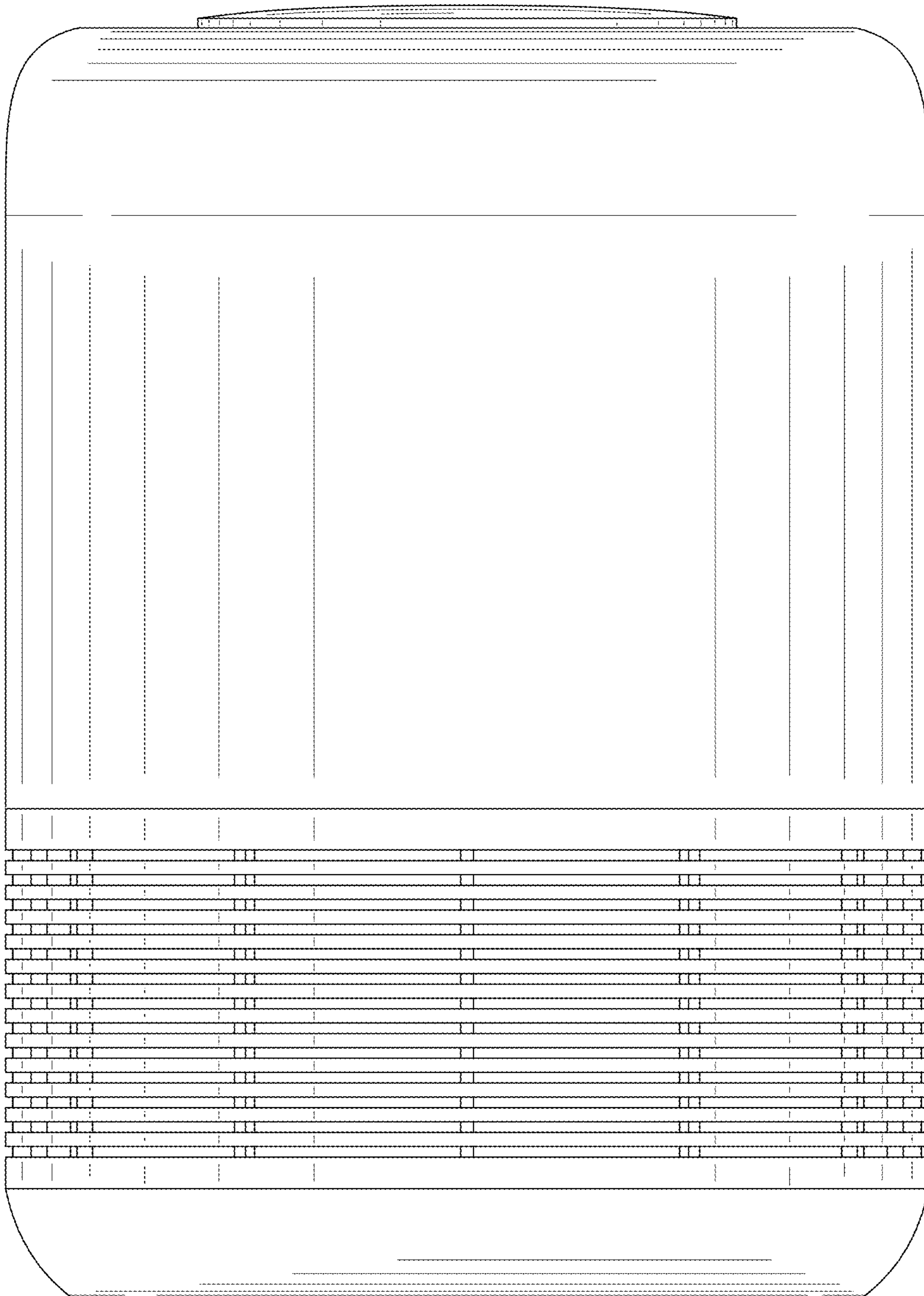


FIG. 6

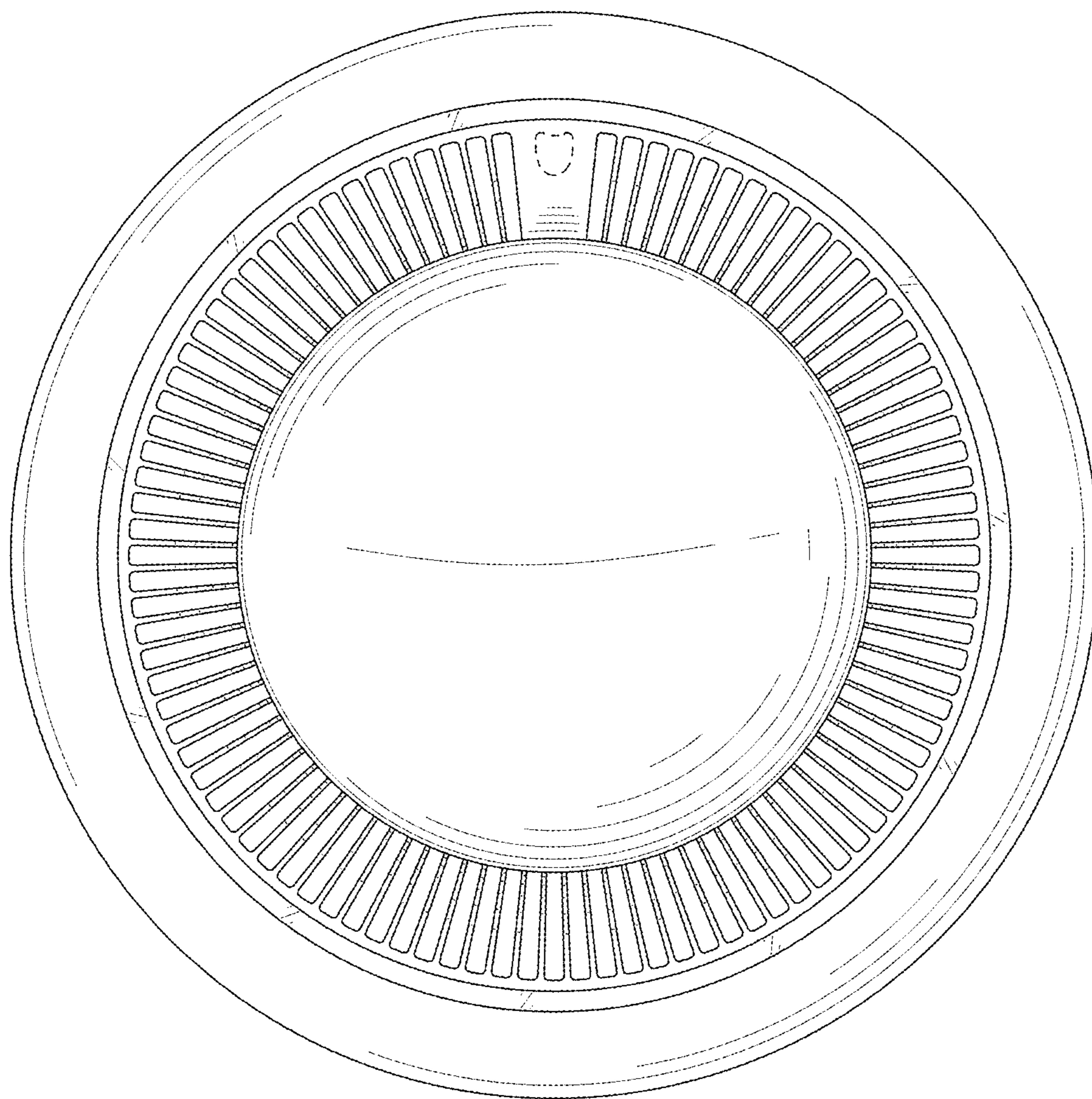


FIG. 7

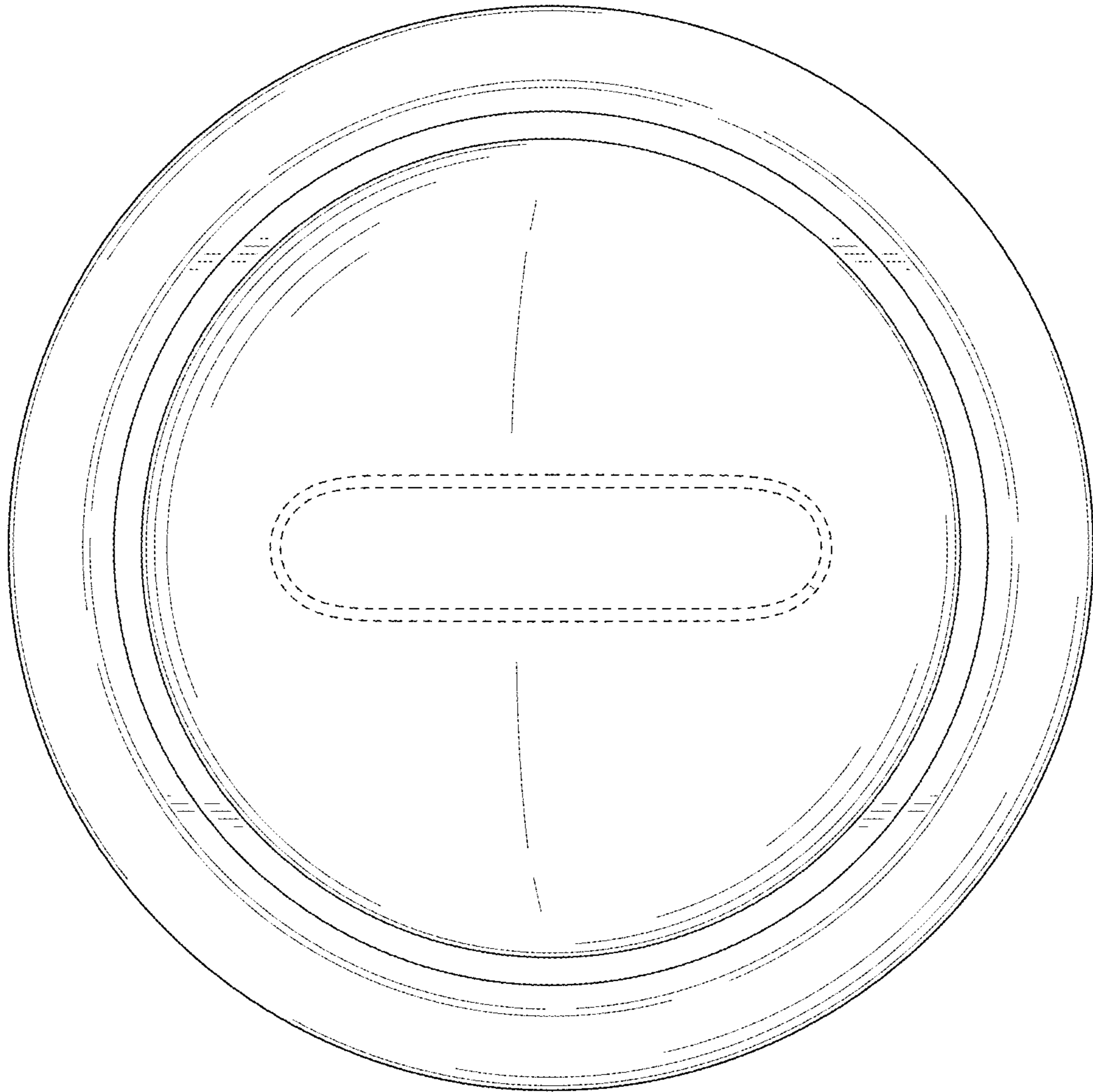


FIG. 8

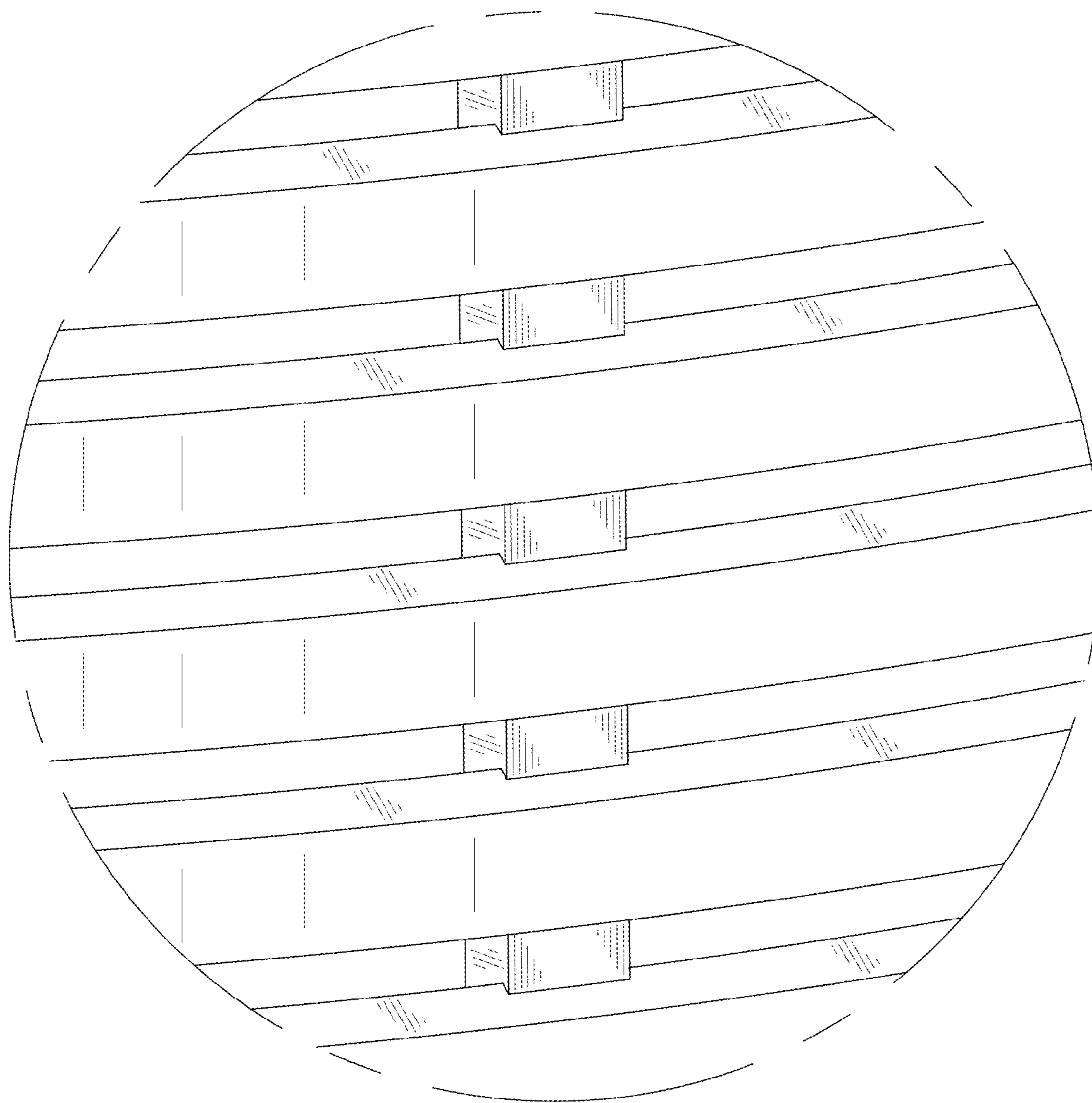


FIG. 9