



US00D946729S

(12) **United States Design Patent** (10) **Patent No.:** **US D946,729 S**
Lu et al. (45) **Date of Patent:** **** Mar. 22, 2022**

(54) **HUMIDIFIER**

D919,064 S * 5/2021 Wang D23/356
D932,606 S * 10/2021 Wang D23/356
2019/0063768 A1* 2/2019 Chen F24F 11/88

(71) Applicant: **Zhongshan Titan Arts & Crafts Co., Ltd.**, Zhongshan (CN)

FOREIGN PATENT DOCUMENTS

(72) Inventors: **Shaoquan Lu**, Zhongshan (CN);
Mumian Wang, Zhongshan (CN);
Yong Hou, Zhongshan (CN); **Qiubo Liao**, Zhongshan (CN)

CN 305717454 * 4/2020
CN 305746072 * 4/2020

(**) Term: **15 Years**

OTHER PUBLICATIONS

(21) Appl. No.: **29/748,510**

BlueHills Premium 2000 ML XL Large Essential Oil Diffuser, first available Aug. 2, 2018[online], [site visited Dec. 1, 2021]. Available from internet, URL:< https://www.amazon.com/dp/B07MJYP8K1?th=1> (Year: 2018).*

(22) Filed: **Aug. 29, 2020**

BlueHills Premium 4000 ml Tall Essential Oil Diffuser, first available Dec. 25, 2020[online], [site visited Dec. 25, 2020]. Available from internet, URL:< https://www.amazon.ca/dp/B08NXYV9J1?th=1> (Year: 2020).*

(30) **Foreign Application Priority Data**

Jun. 19, 2020 (CN) 202030319569.0

* cited by examiner

(51) **LOC (13) Cl.** **23-04**

Primary Examiner — Barbara Fox

(52) **U.S. Cl.**
USPC **D23/356**

Assistant Examiner — Jamaal Rasheed

(58) **Field of Classification Search**
USPC D23/356, 359, 364–365, 378, 499
CPC F24F 3/16; F24F 3/1405; F24F 3/1603;
F24F 13/20; F24F 13/22
See application file for complete search history.

(74) *Attorney, Agent, or Firm* — W&KIP

(57) **CLAIM**

The ornamental design for a humidifier, as shown and described.

(56) **References Cited**

DESCRIPTION

U.S. PATENT DOCUMENTS

9,776,144 B1 * 10/2017 Lu F24F 13/20
D806,845 S * 1/2018 Kim D23/364
D847,323 S * 4/2019 Gan D23/356
D849,218 S * 5/2019 Liang D23/356
D864,367 S * 10/2019 Chen D23/356
D879,274 S * 3/2020 Hu D23/356
D886,268 S * 6/2020 Montagnino D23/356
D892,288 S * 8/2020 Baillie D23/356
D892,289 S * 8/2020 Baillie D23/356
D900,989 S * 11/2020 Liu D23/356
D906,500 S * 12/2020 Seo D23/356
D909,556 S * 2/2021 Chen D23/356
D916,262 S * 4/2021 Wang D23/356

FIG. 1 is a perspective view of a humidifier showing my new design;

FIG. 2 is a front view thereof;

FIG. 3 is a rear view thereof;

FIG. 4 is a left side view thereof;

FIG. 5 is a right side view thereof;

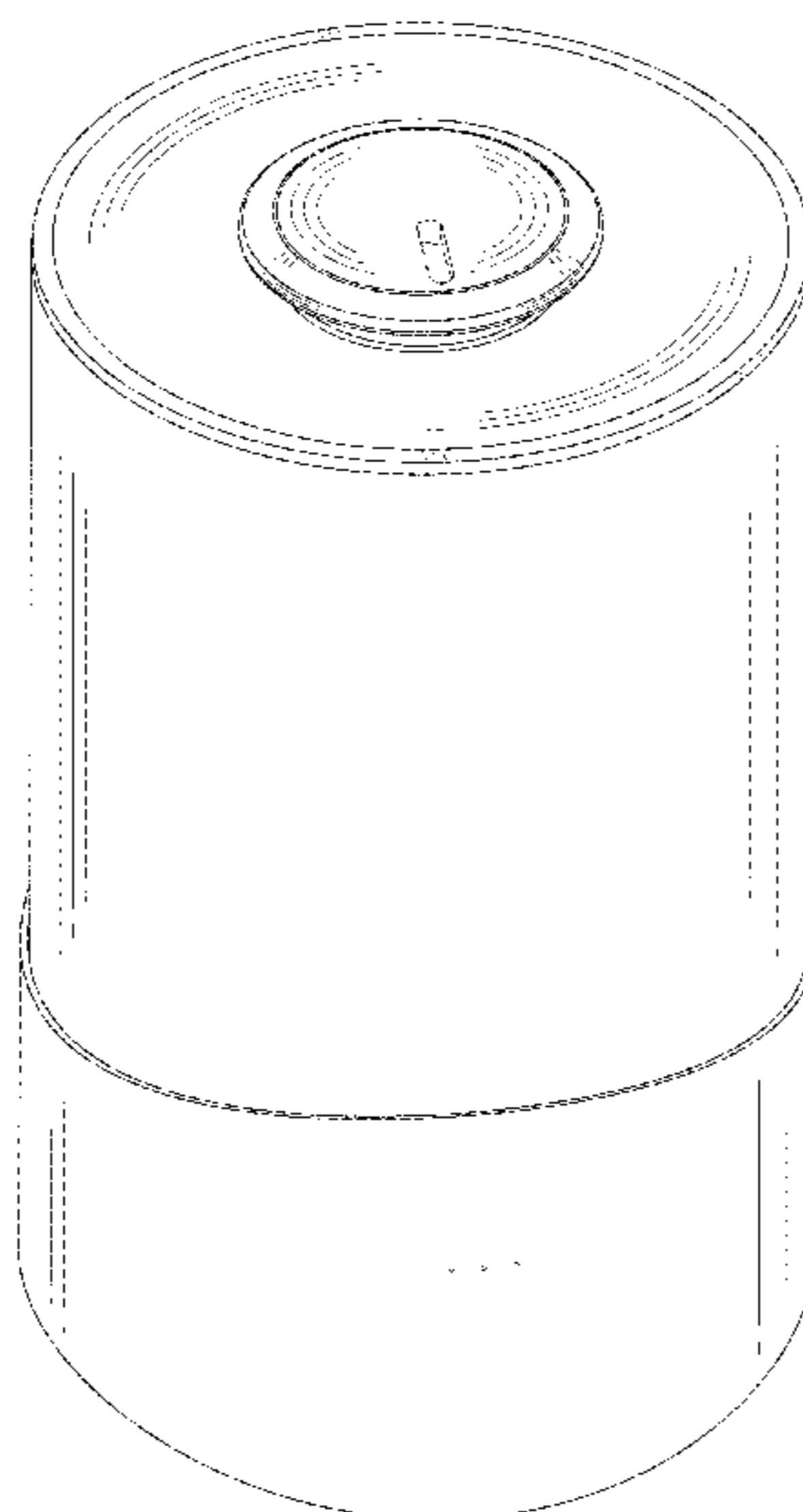
FIG. 6 is a top plan view thereof;

FIG. 7 is a bottom plan view thereof; and,

FIG. 8 is another perspective view thereof.

The evenly-broken lines where present illustrate portions of the humidifier that form no part of the claimed design.

1 Claim, 8 Drawing Sheets



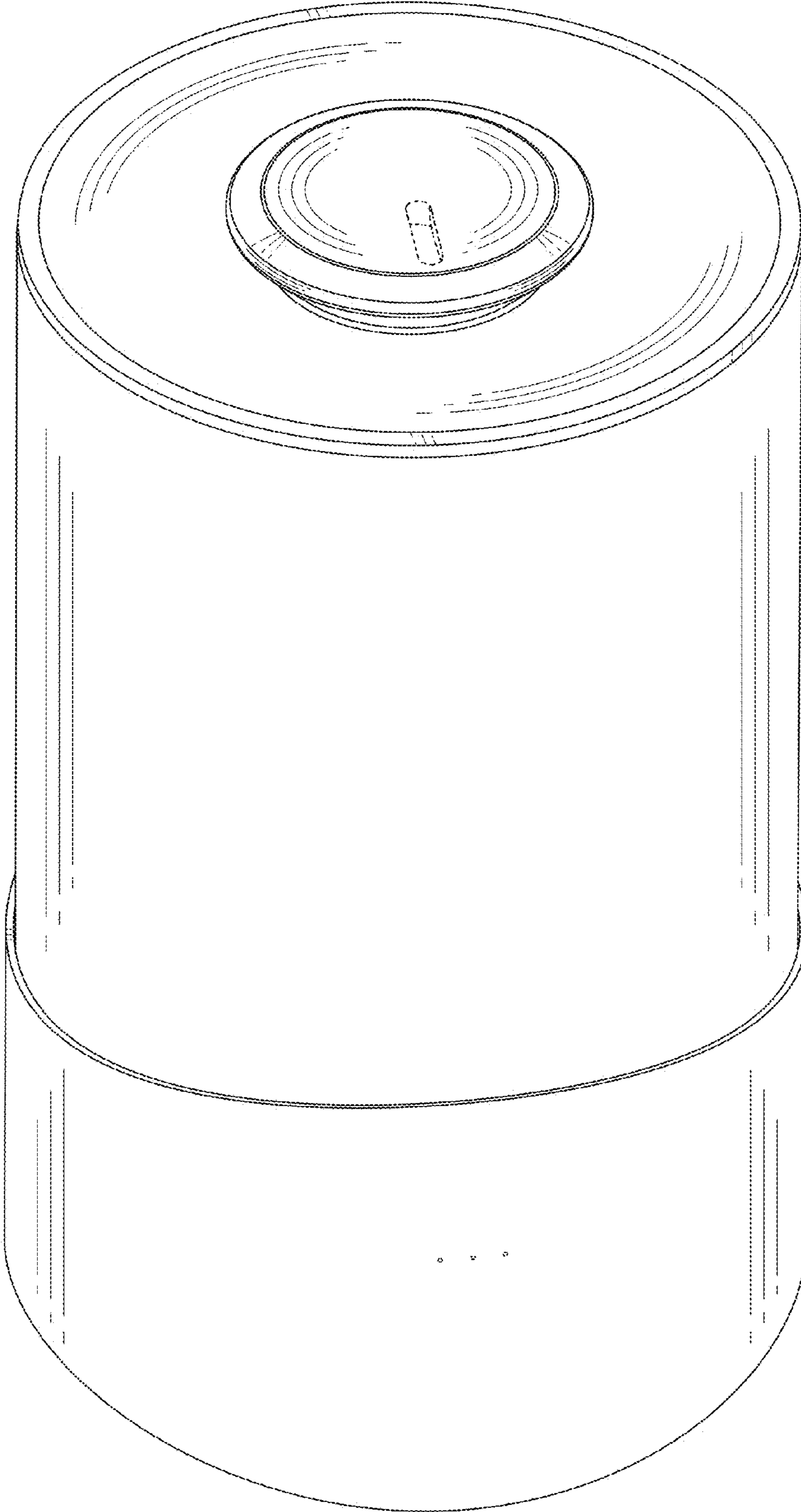


FIG. 1

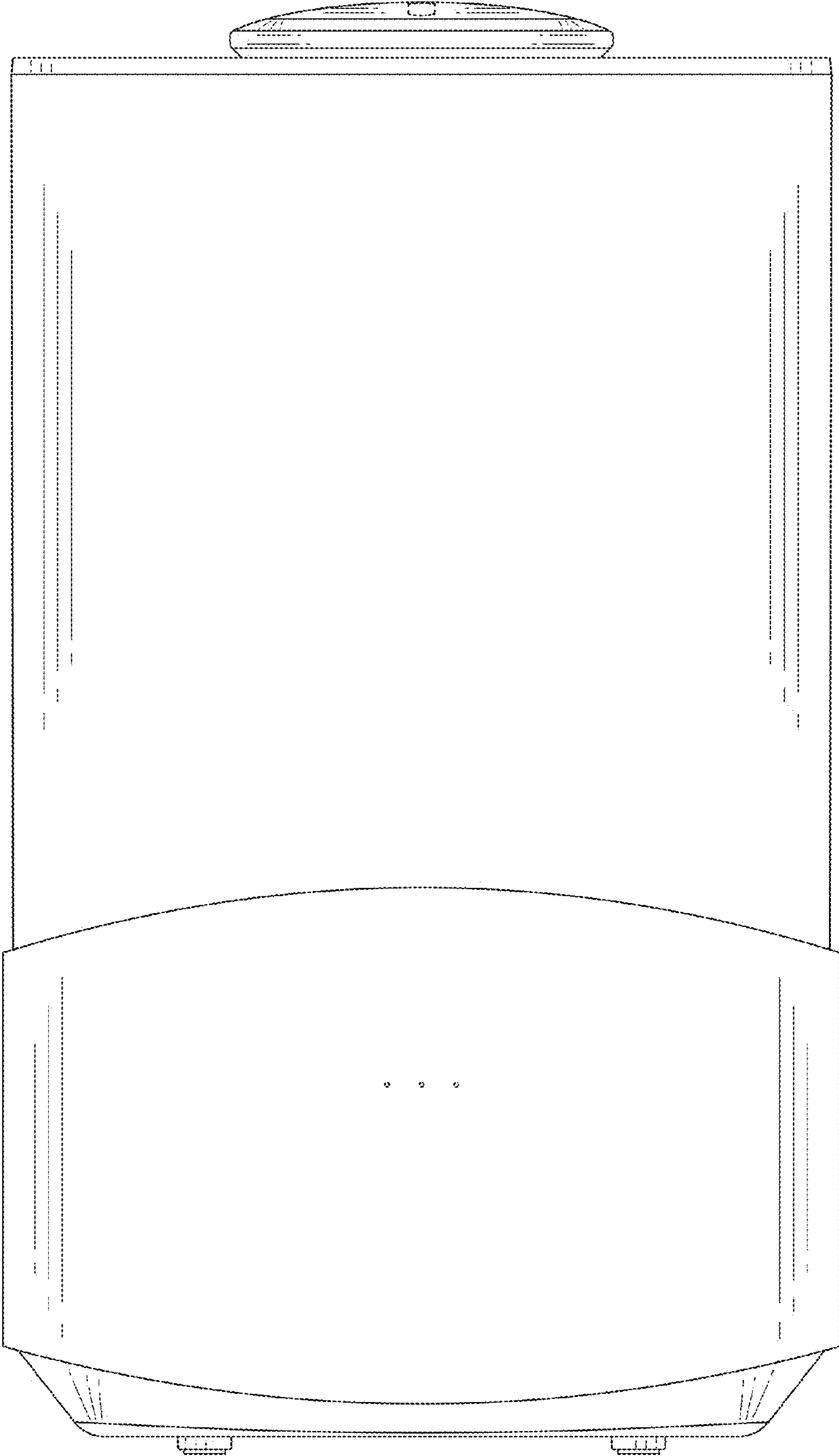


FIG.2

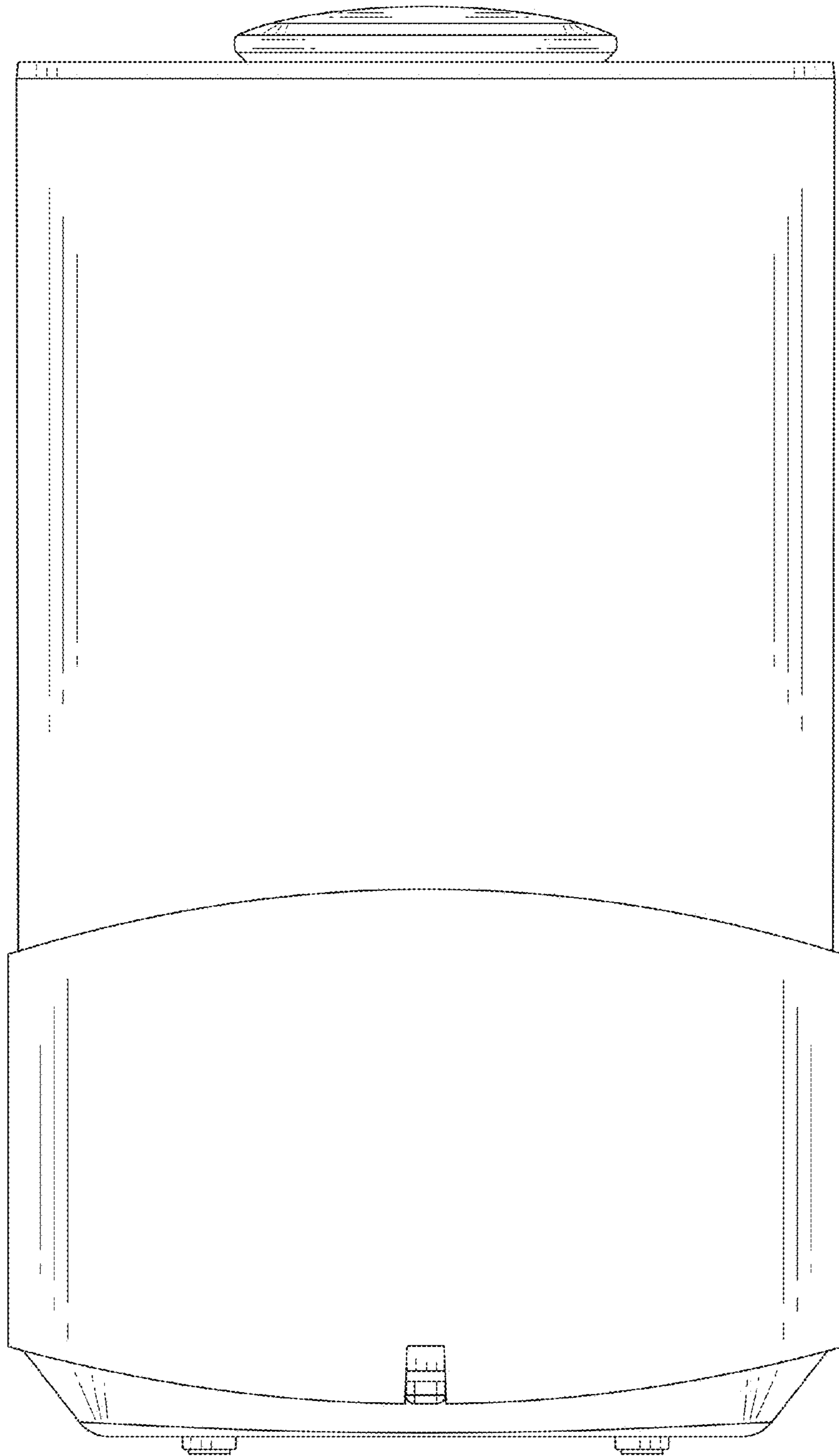


FIG.3

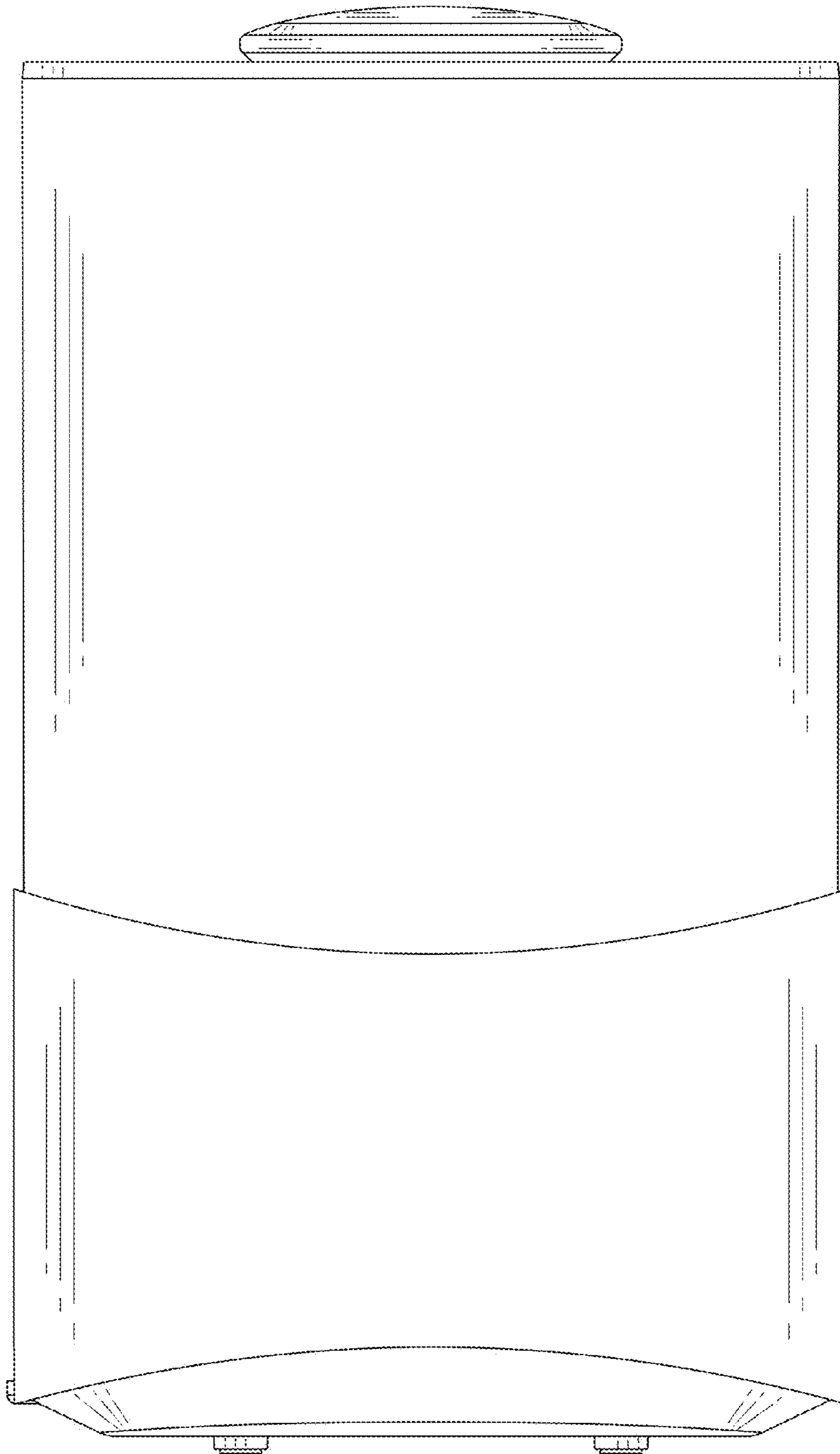


FIG.4

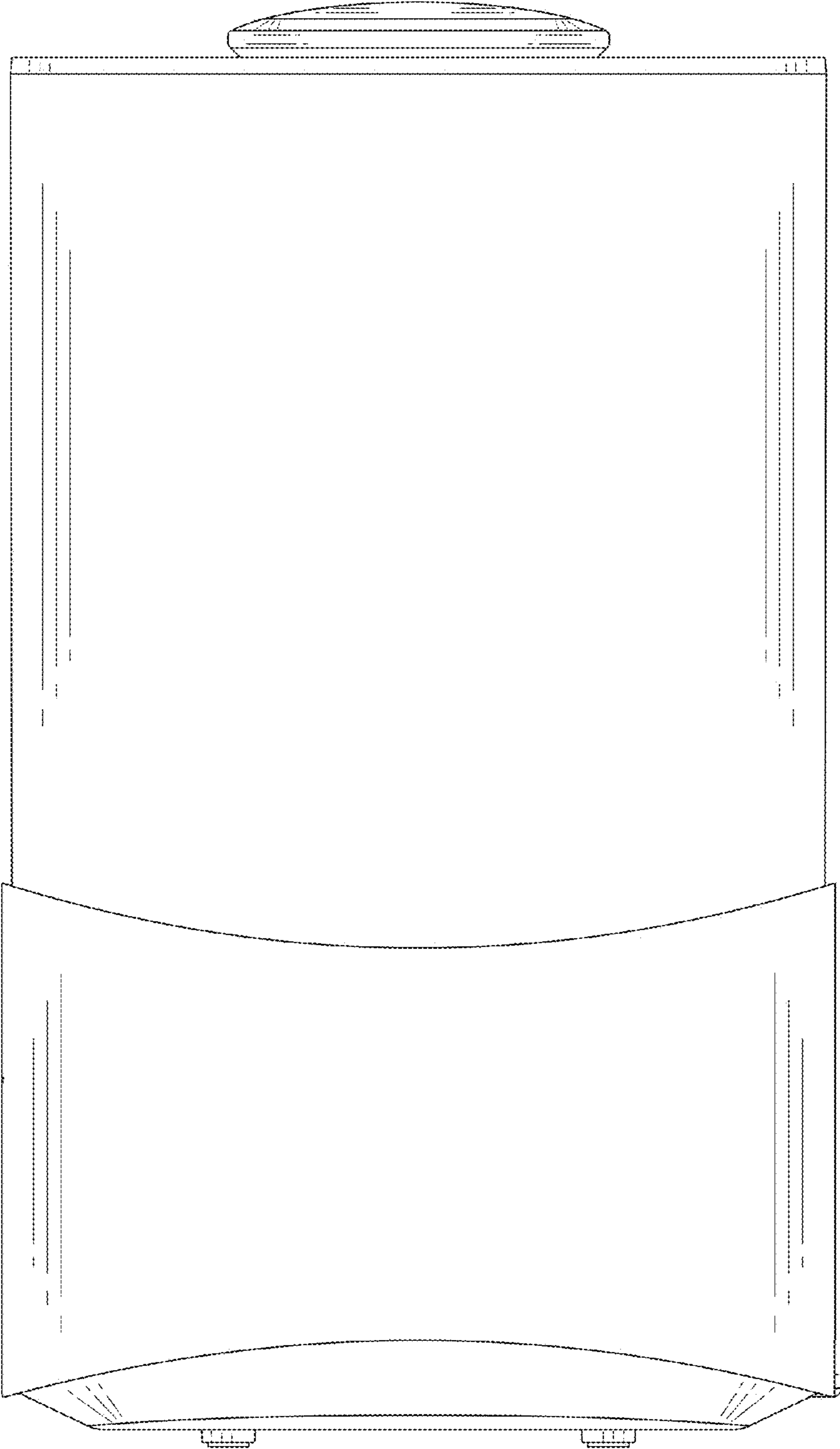


FIG.5

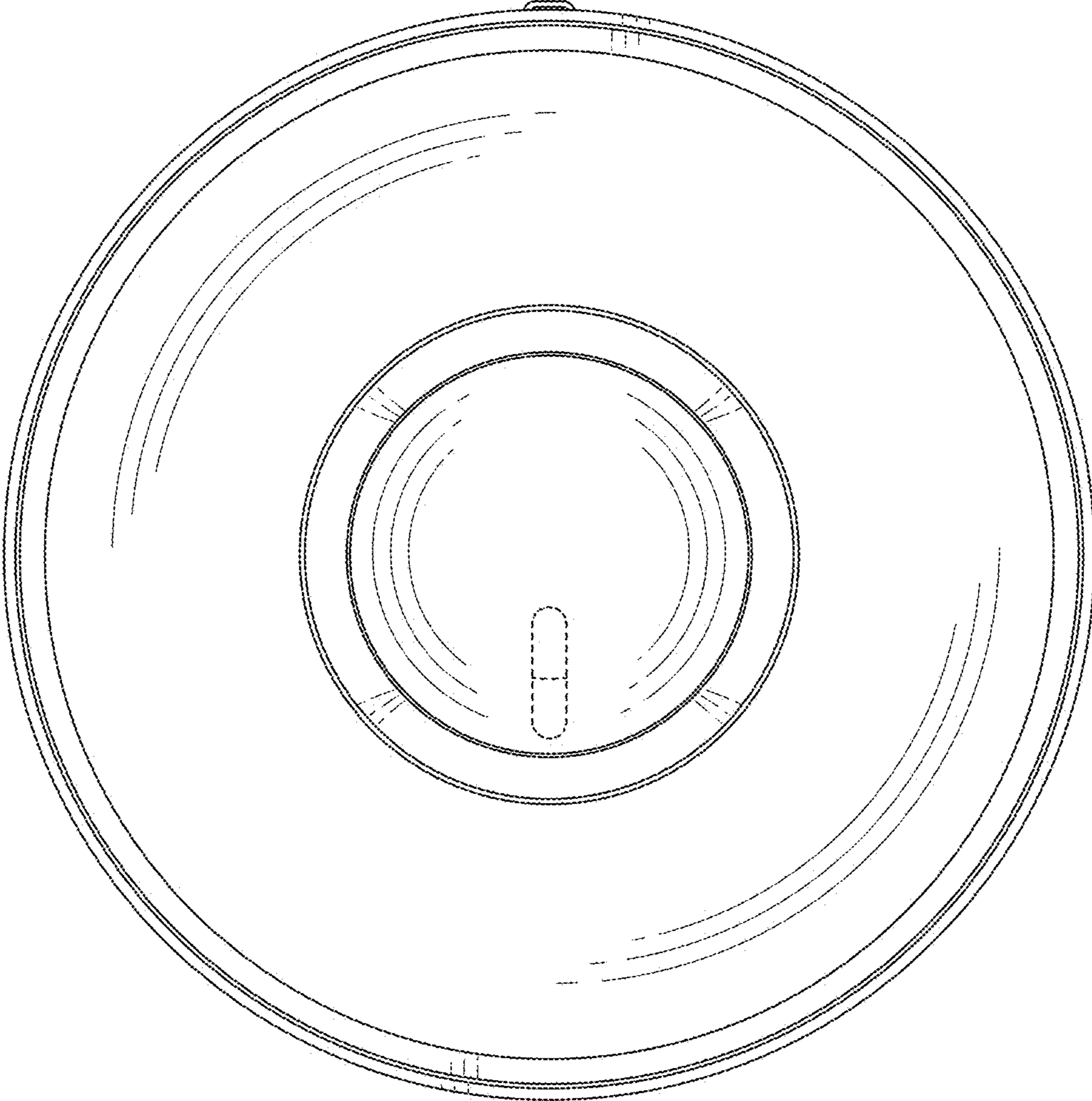


FIG.6

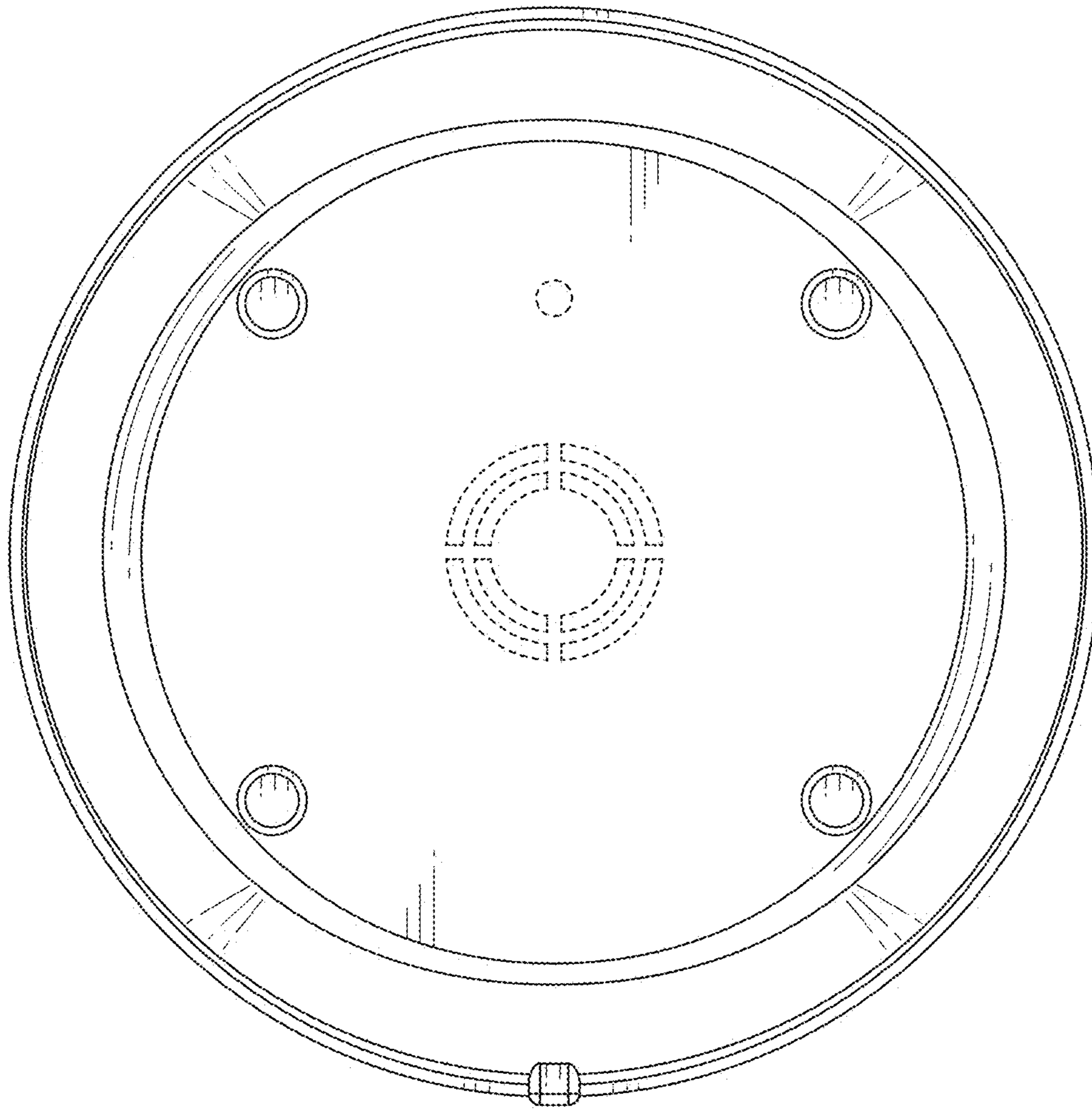


FIG.7

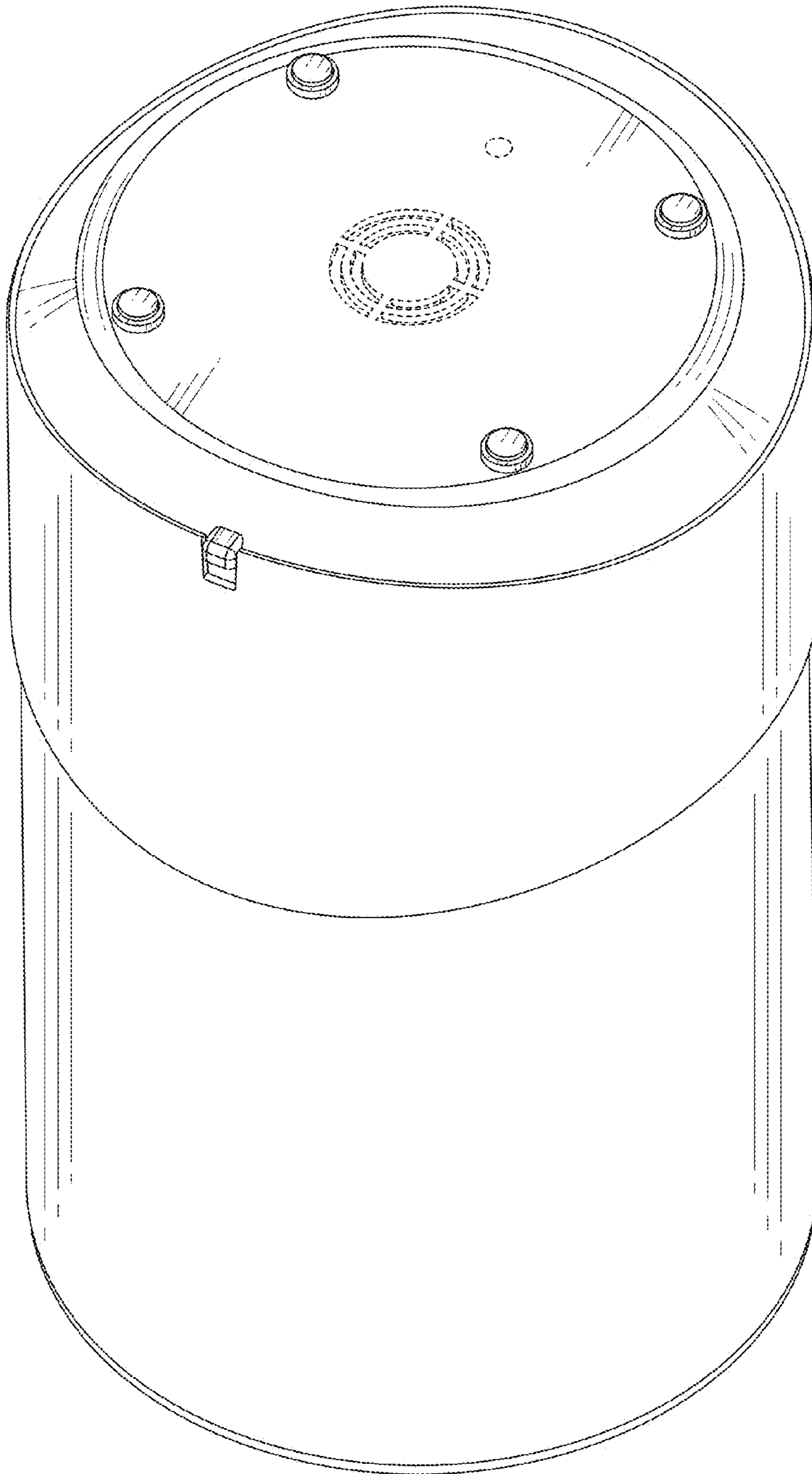


FIG.8