



US00D946728S

(12) **United States Design Patent**
Yoon

(10) **Patent No.:** **US D946,728 S**
(45) **Date of Patent:** **** Mar. 22, 2022**

(54) **HUMIDIFIER**

(71) Applicant: **WINIX INC.**, Siheung-si (KR)
(72) Inventor: **Chul Min Yoon**, Siheung-si (KR)
(73) Assignee: **WINIX INC.**, Siheung-si (KR)
(**) Term: **15 Years**

(21) Appl. No.: **29/746,436**
(22) Filed: **Aug. 13, 2020**

(30) **Foreign Application Priority Data**

Jun. 4, 2020 (KR) 30-2020-0025031

(51) **LOC (13) Cl.** **23-04**
(52) **U.S. Cl.**
USPC **D23/356**

(58) **Field of Classification Search**
USPC D23/356, 359, 364-365, 378, 499
CPC F24F 3/16; F24F 3/1405; F24F 3/1603;
F24F 13/20; F24F 13/222
See application file for complete search history.

(56) **References Cited**

U.S. PATENT DOCUMENTS

D627,830 S * 11/2010 Araki D21/329
D682,406 S * 5/2013 Yeom D23/364
D700,310 S * 2/2014 Brickner D23/356
D853,545 S * 7/2019 Zhong D23/364
D903,847 S * 12/2020 Hernandez D23/364
D919,065 S * 5/2021 Wang D23/356
2019/0390862 A1 * 12/2019 Yoon F24F 13/30
2020/0147257 A1 * 5/2020 Chiu F24F 6/02
2020/0182508 A1 * 6/2020 Bae F24F 13/10
2020/0284451 A1 * 9/2020 Yang F24F 6/02

FOREIGN PATENT DOCUMENTS

CN 302166397 * 5/2012

OTHER PUBLICATIONS

Everlasting Comfort Cool Mist Humidifier, first available Nov. 9, 2017[online], [site visited Nov. 29, 2021]. Available from internet, URL:<<https://www.amazon.ca/Everlasting-Comfort-Ultrasonic-Humidifier/dp/B074MP9DK2>> (Year: 2017).*

* cited by examiner

Primary Examiner — Barbara Fox

Assistant Examiner — Jamaal Rasheed

(74) *Attorney, Agent, or Firm* — Lewis Roca Rothgerber Christie LLP

(57) **CLAIM**

The ornamental design for a humidifier, as shown and described.

DESCRIPTION

FIG. 1 is a front, top, and right-side perspective view of a humidifier;

FIG. 2 is a front view thereof;

FIG. 3 is a rear view thereof;

FIG. 4 is a left-side view thereof;

FIG. 5 is a right-side view thereof;

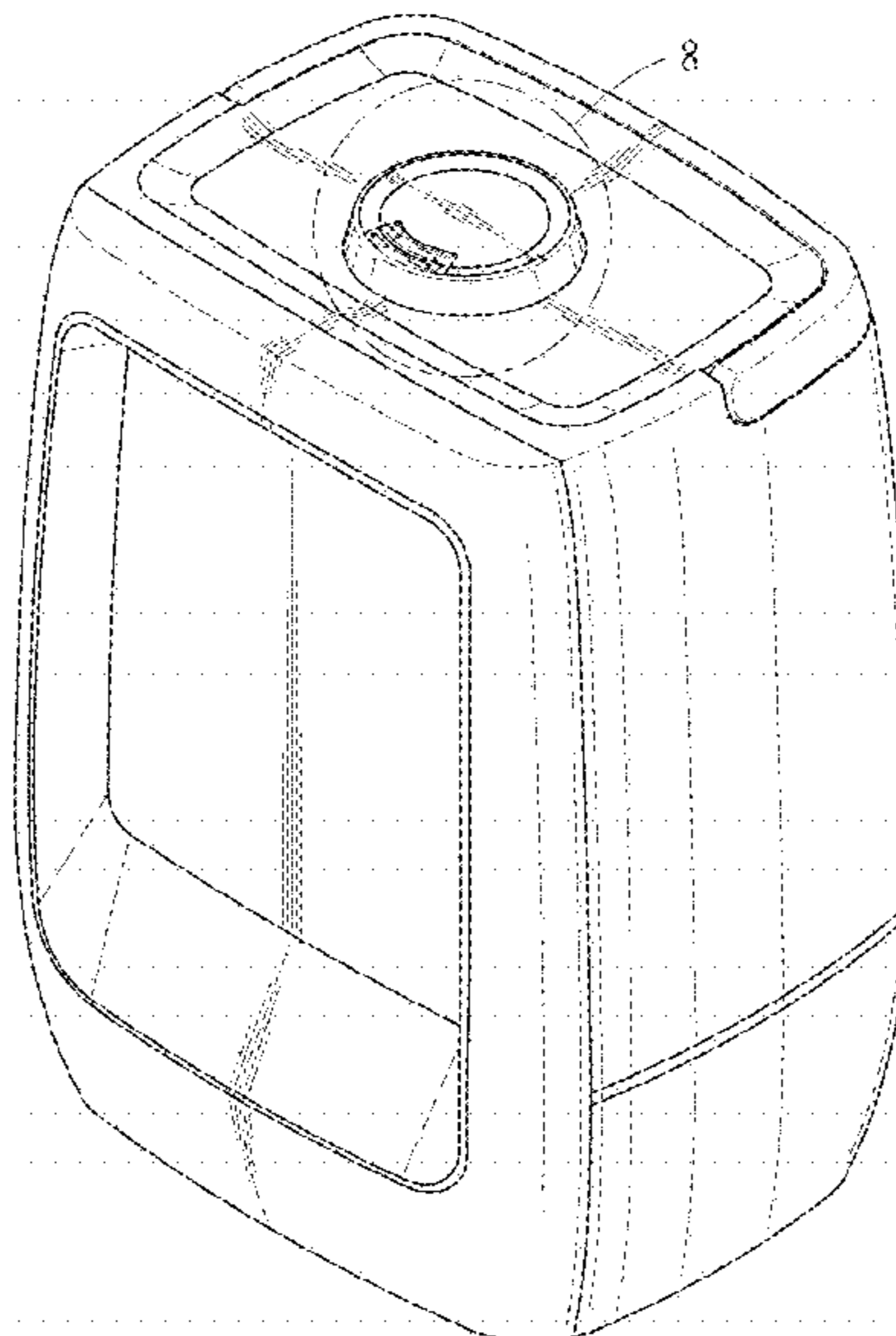
FIG. 6 is a top view thereof;

FIG. 7 is a bottom view thereof;

FIG. 8 is an enlarged view of item 8 shown in FIG. 1; and, FIG. 9 is a view illustrating a state in which a handle of the present design is rotated.

The evenly spaced broken lines in the drawings are for the purpose of illustrating portions of the humidifier that form no part of the claimed design. The dash-dot broken lines showing the enlargements in FIGS. 1 and 8 form no part of the claimed design.

1 Claim, 8 Drawing Sheets



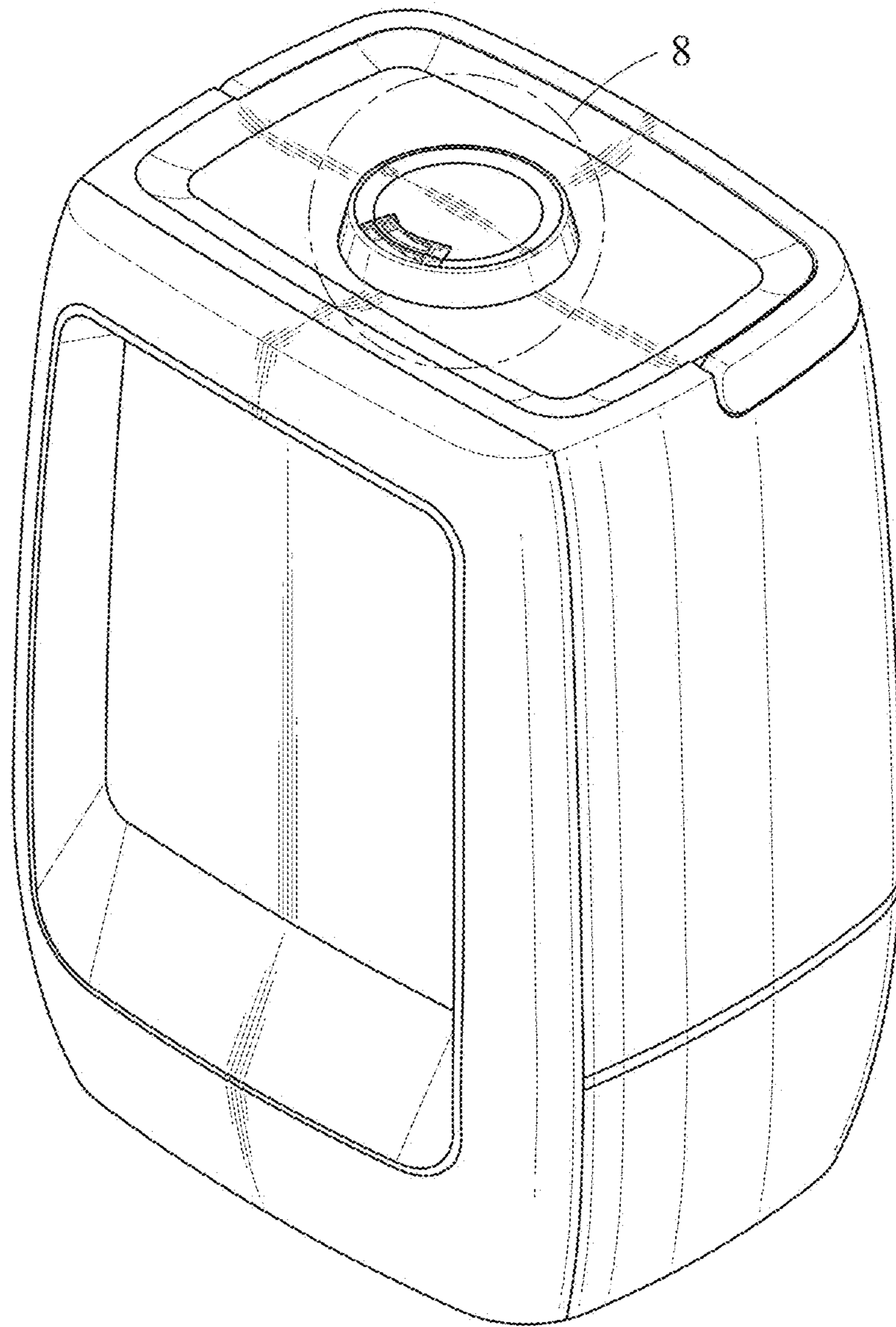


FIG. 1

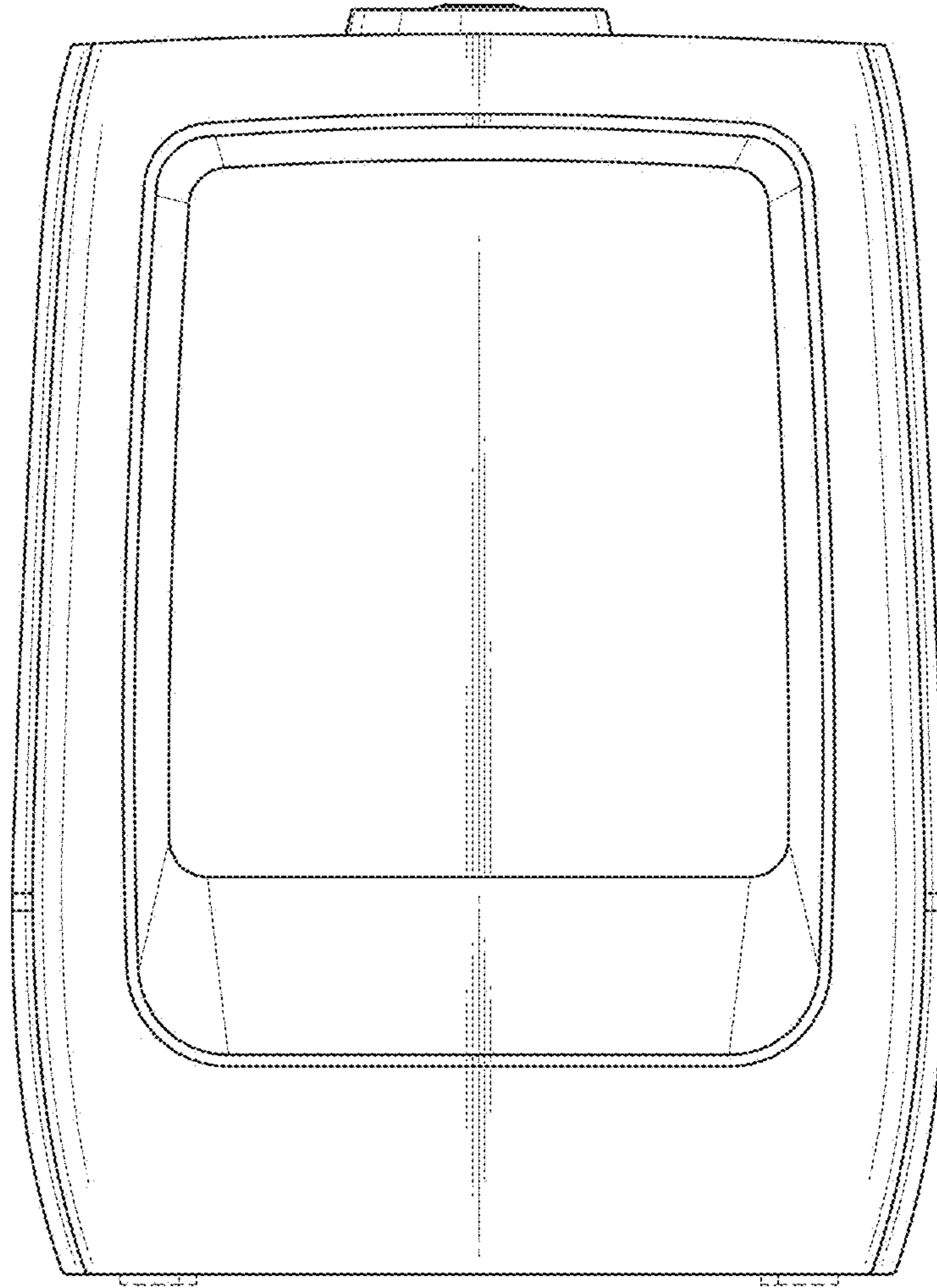


FIG. 2

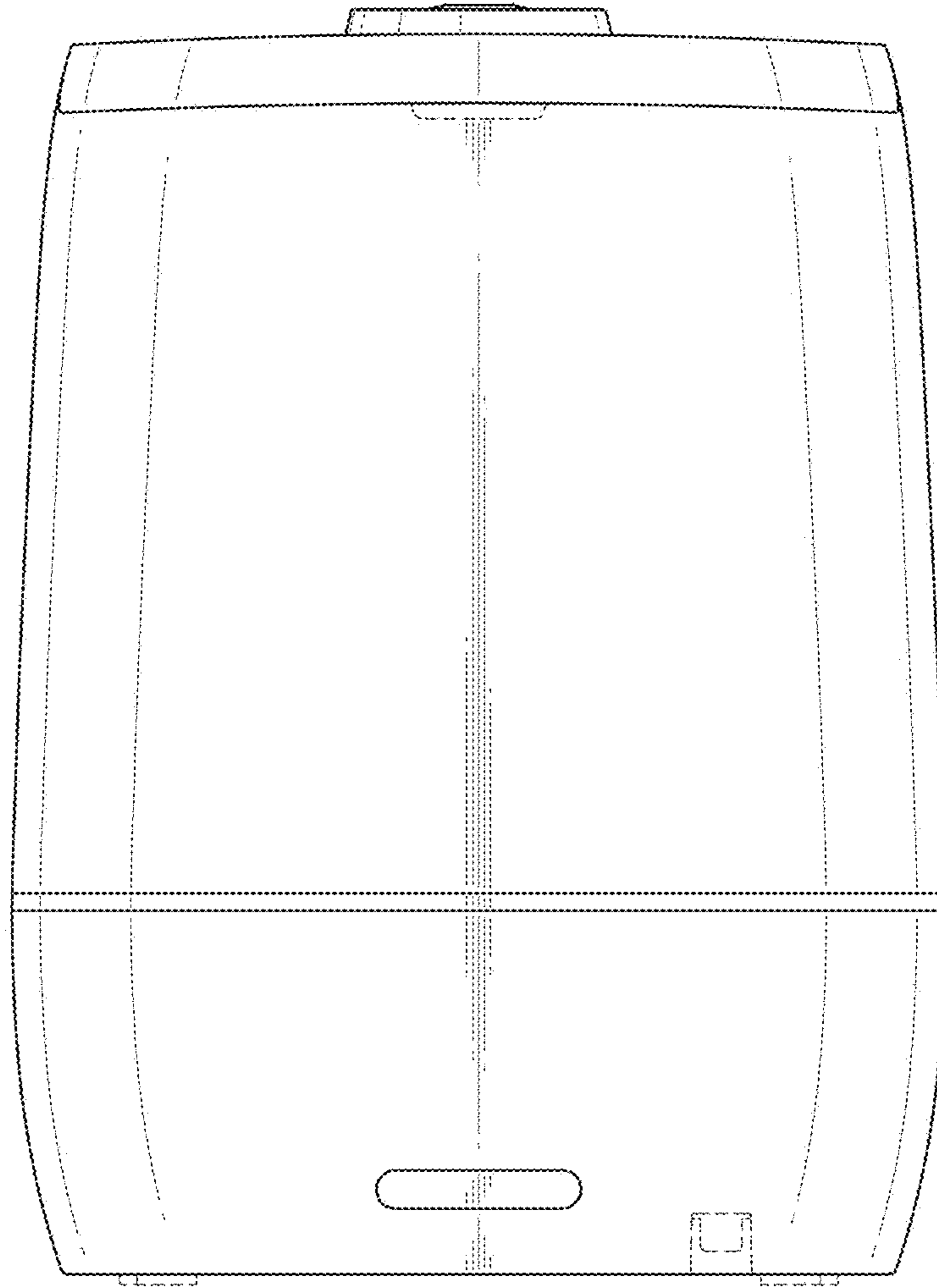


FIG. 3

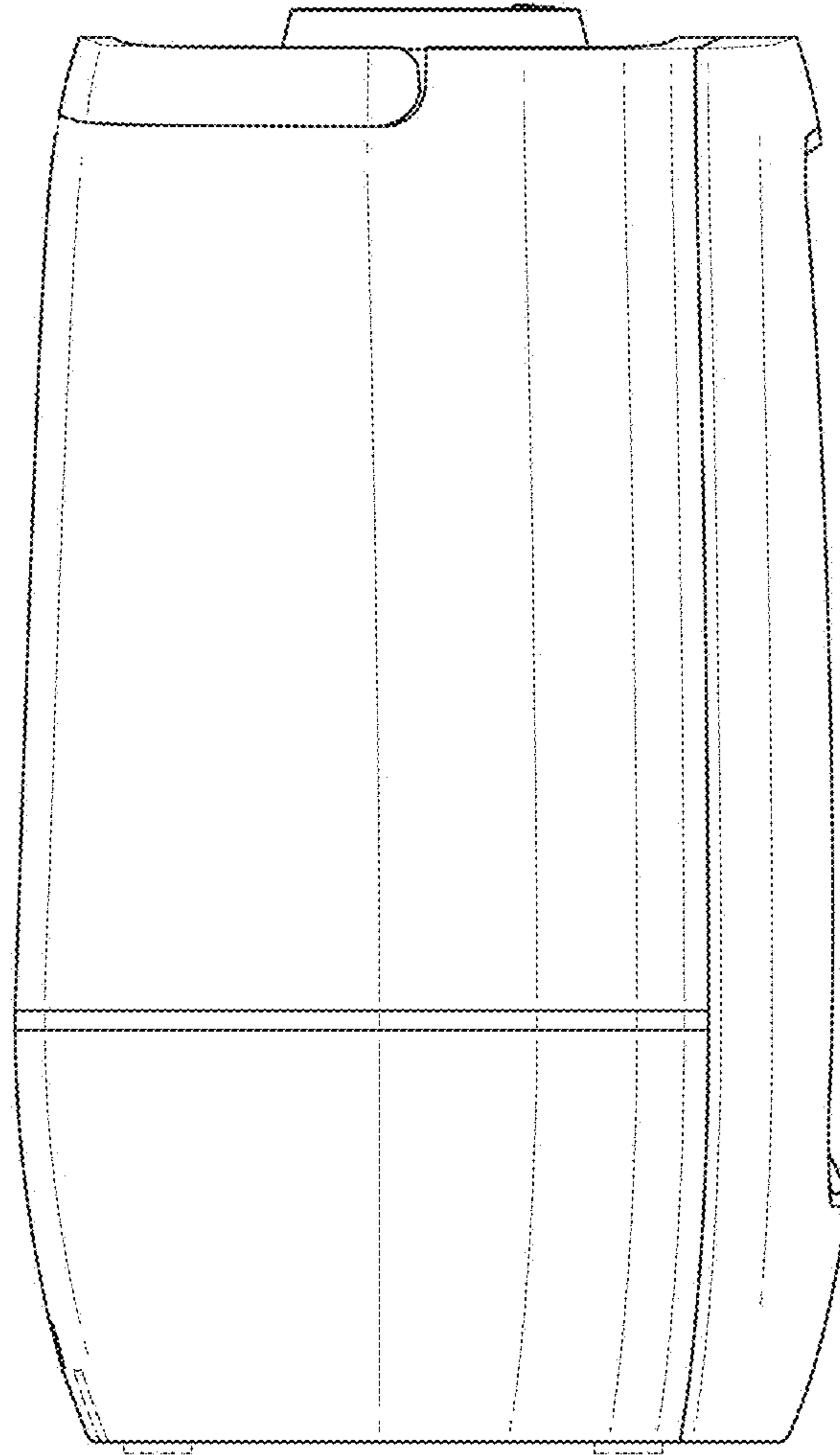


FIG. 4

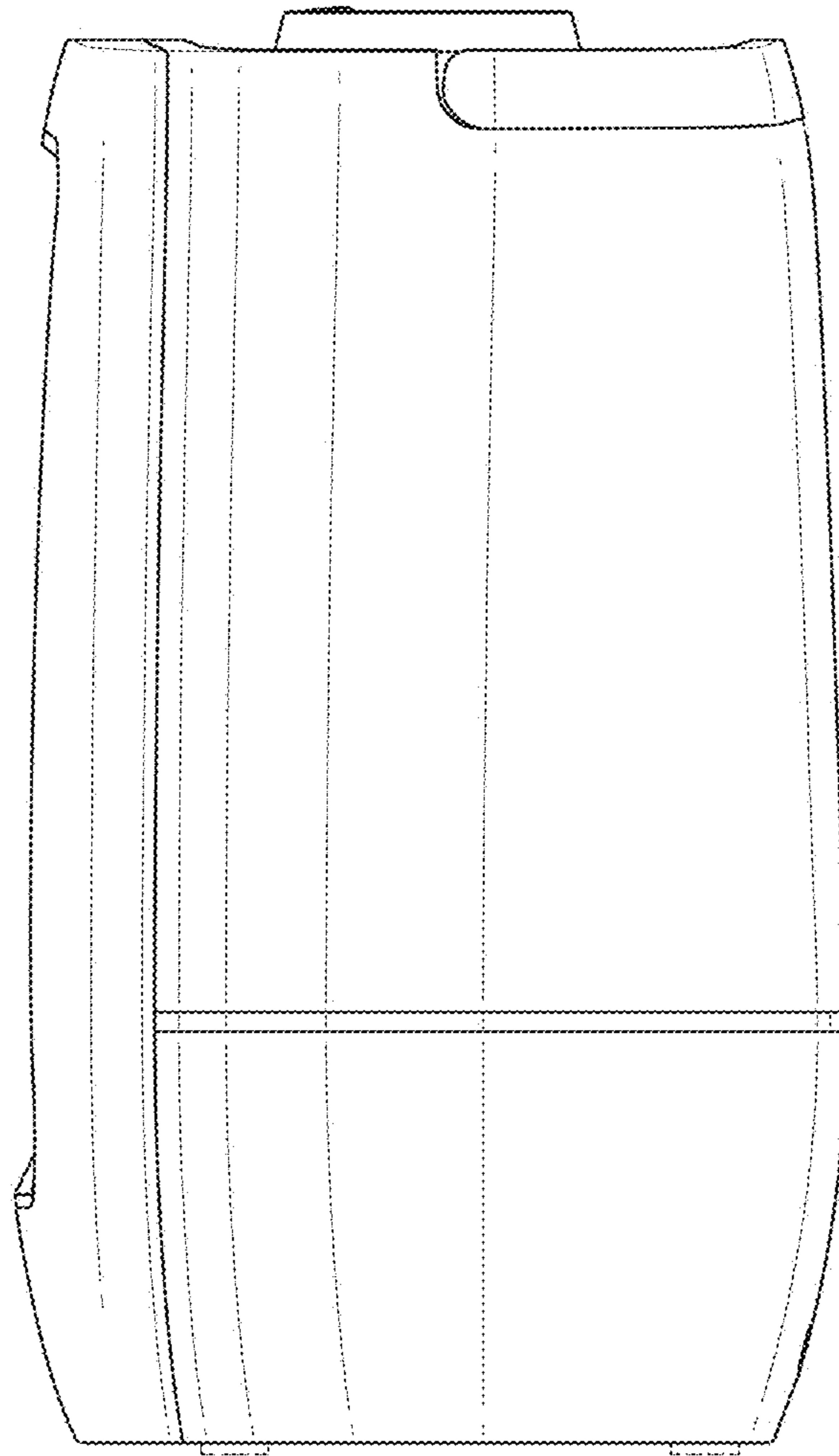


FIG. 5

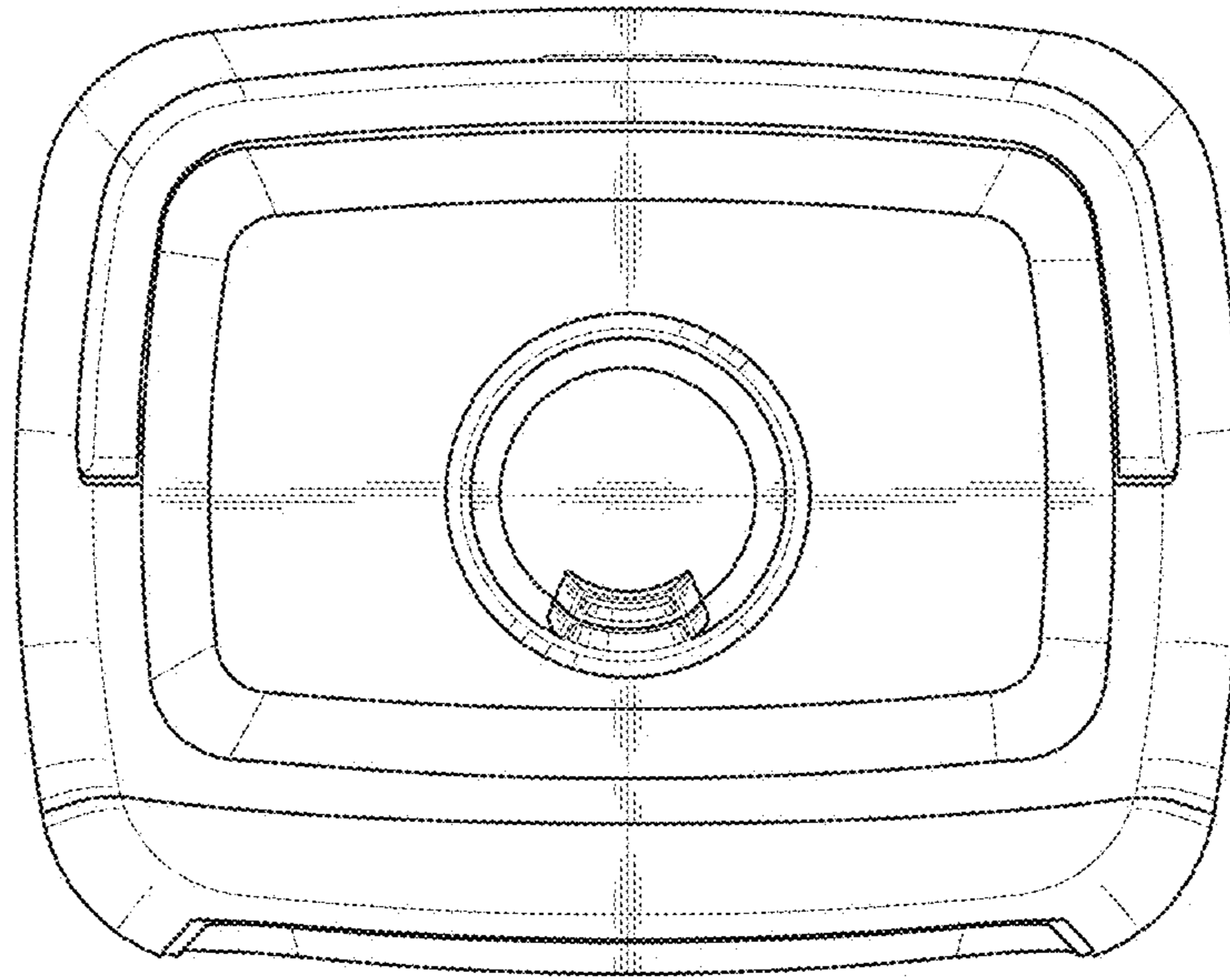


FIG. 6

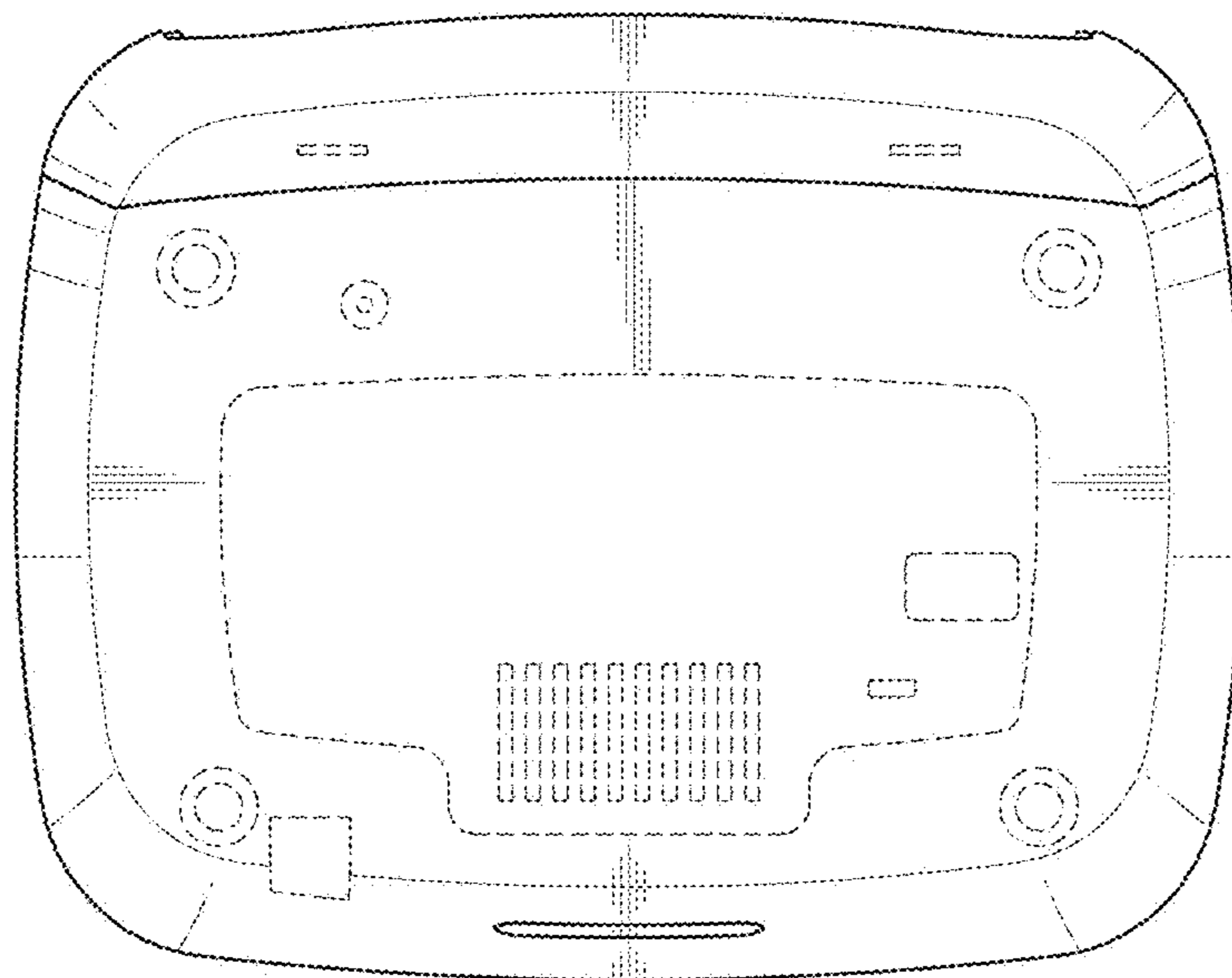


FIG. 7

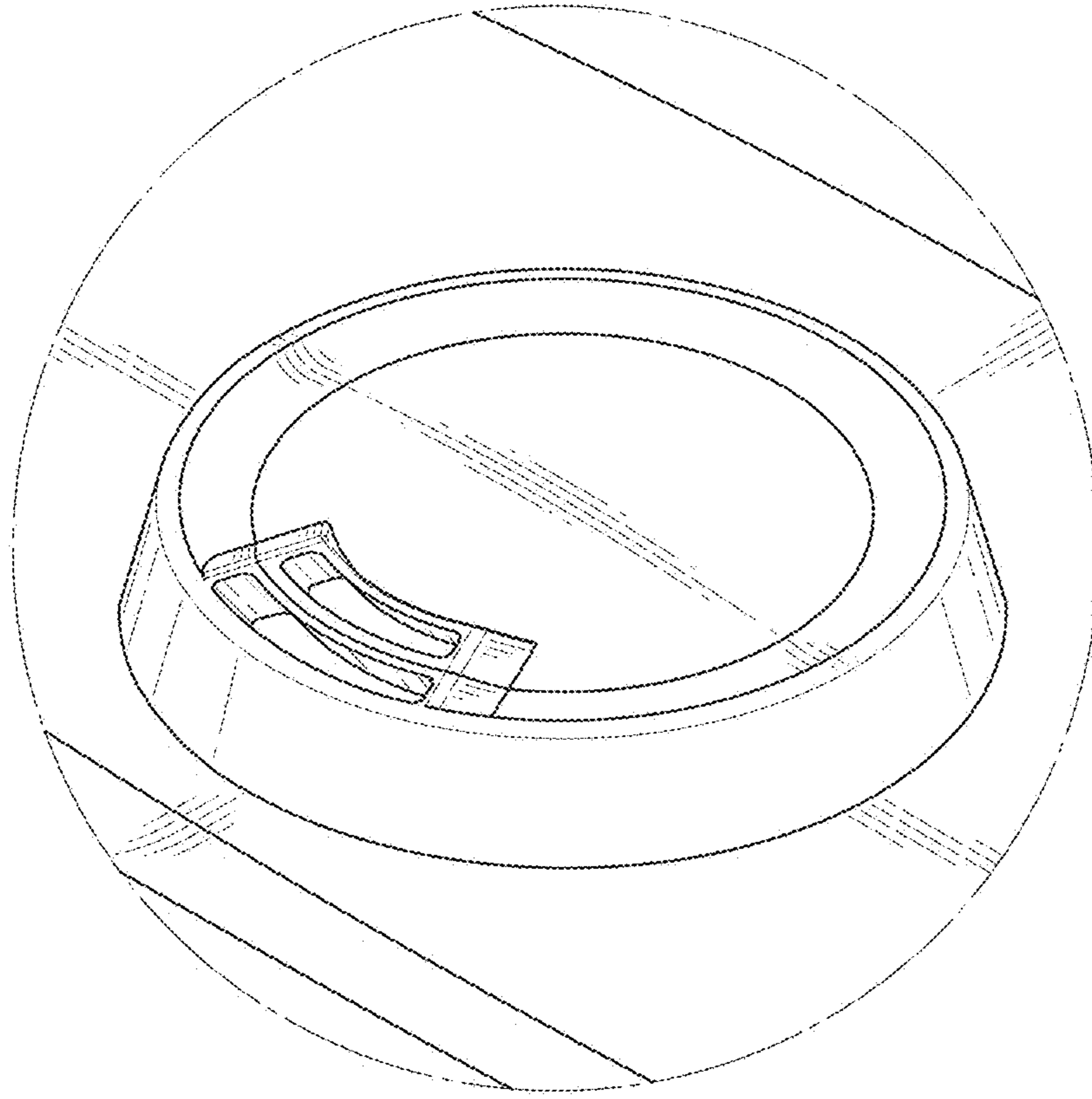


FIG. 8

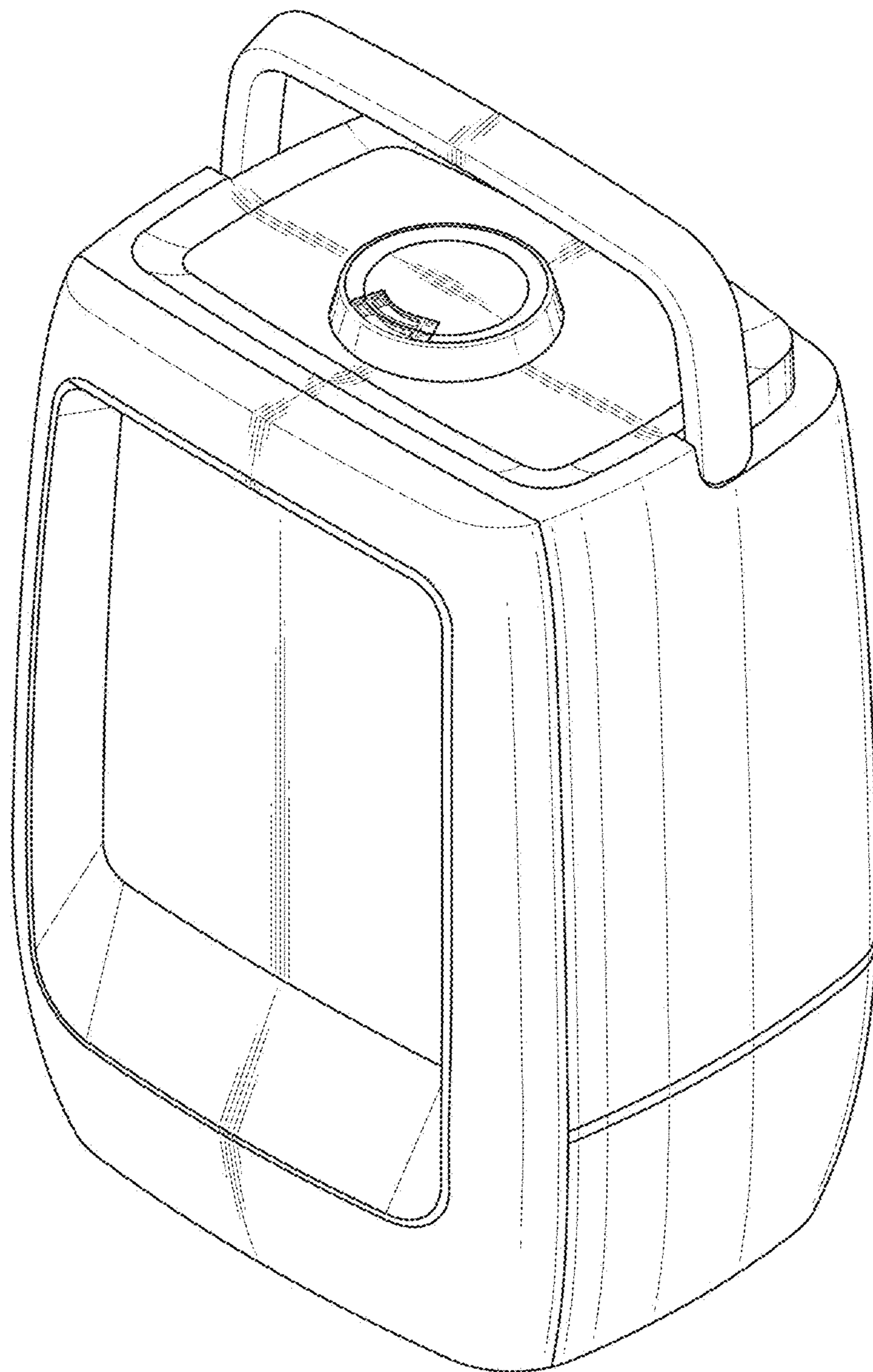


FIG. 9