



US00D946726S

(12) **United States Design Patent**  
**Kosuge**

(10) **Patent No.:** **US D946,726 S**

(45) **Date of Patent:** **\*\* Mar. 22, 2022**

(54) **OUTDOOR UNIT FOR AIR CONDITIONER**

(56) **References Cited**

(71) Applicant: **Hiroyasu Kosuge**, Osaka (JP)

U.S. PATENT DOCUMENTS

(72) Inventor: **Hiroyasu Kosuge**, Osaka (JP)

D283,838 S *	5/1986	Kimura .....	D23/354
D300,459 S *	3/1989	Hoyle .....	D23/333
D318,911 S *	8/1991	Tobin, Sr. ....	D23/354
D425,189 S *	5/2000	Gillingham .....	B01D 46/0002
			D23/355
D778,419 S *	2/2017	Poindexter .....	D23/365
D846,718 S *	4/2019	Niki .....	D23/351
D849,217 S *	5/2019	Yamashita .....	D23/351
D852,342 S *	6/2019	Kosuge .....	D23/351
D883,460 S *	5/2020	Kosuge .....	D23/351

(73) Assignees: **DAIKIN INDUSTRIES, LTD.**, Osaka (JP); **DAIKIN EUROPE N.V.**, Ostend (BE)

(\*\*) Term: **15 Years**

\* cited by examiner

(21) Appl. No.: **29/724,888**

*Primary Examiner* — Gino Colan

(22) Filed: **Feb. 20, 2020**

*Assistant Examiner* — David Obrien

(30) **Foreign Application Priority Data**

(74) *Attorney, Agent, or Firm* — Manabu Kanesaka

Aug. 26, 2019 (EM) ..... 006763645-0004

(51) **LOC (13) Cl.** ..... **23-04**

(57) **CLAIM**

The ornamental design for an outdoor unit for air conditioner, as shown and described.

(52) **U.S. Cl.**

**DESCRIPTION**

USPC ..... **D23/351**

(58) **Field of Classification Search**

USPC ..... D23/333, 335, 351–367, 388

CPC ..... A01G 13/06; A01M 1/2044; A24F 25/00;

A61L 9/00; A61L 9/03; A61L 9/04; A61L

9/14; A61L 9/015; A61L 9/032; A61L

2209/14; B05B 7/1686; F24F 1/00; F24F

1/02; F24F 1/08; F24F 1/42; F24F 1/56;

F24F 1/60; F24F 1/62; F24F 1/64; F24F

1/0007; F24F 3/12; F24F 3/14; F24F

3/16; F24F 3/048; B01D 46/0002

See application file for complete search history.

FIG. 1 is a perspective view of an outdoor unit for air conditioner showing my new design; FIG. 2 is a front view thereof; FIG. 3 is a rear view thereof; FIG. 4 is a plan view thereof; FIG. 5 is a bottom view thereof; FIG. 6 is a left side view thereof; and, FIG. 7 is a right side view thereof.

The broken lines depict portions of the outdoor unit for air conditioner that form no part of claimed design.

**1 Claim, 3 Drawing Sheets**

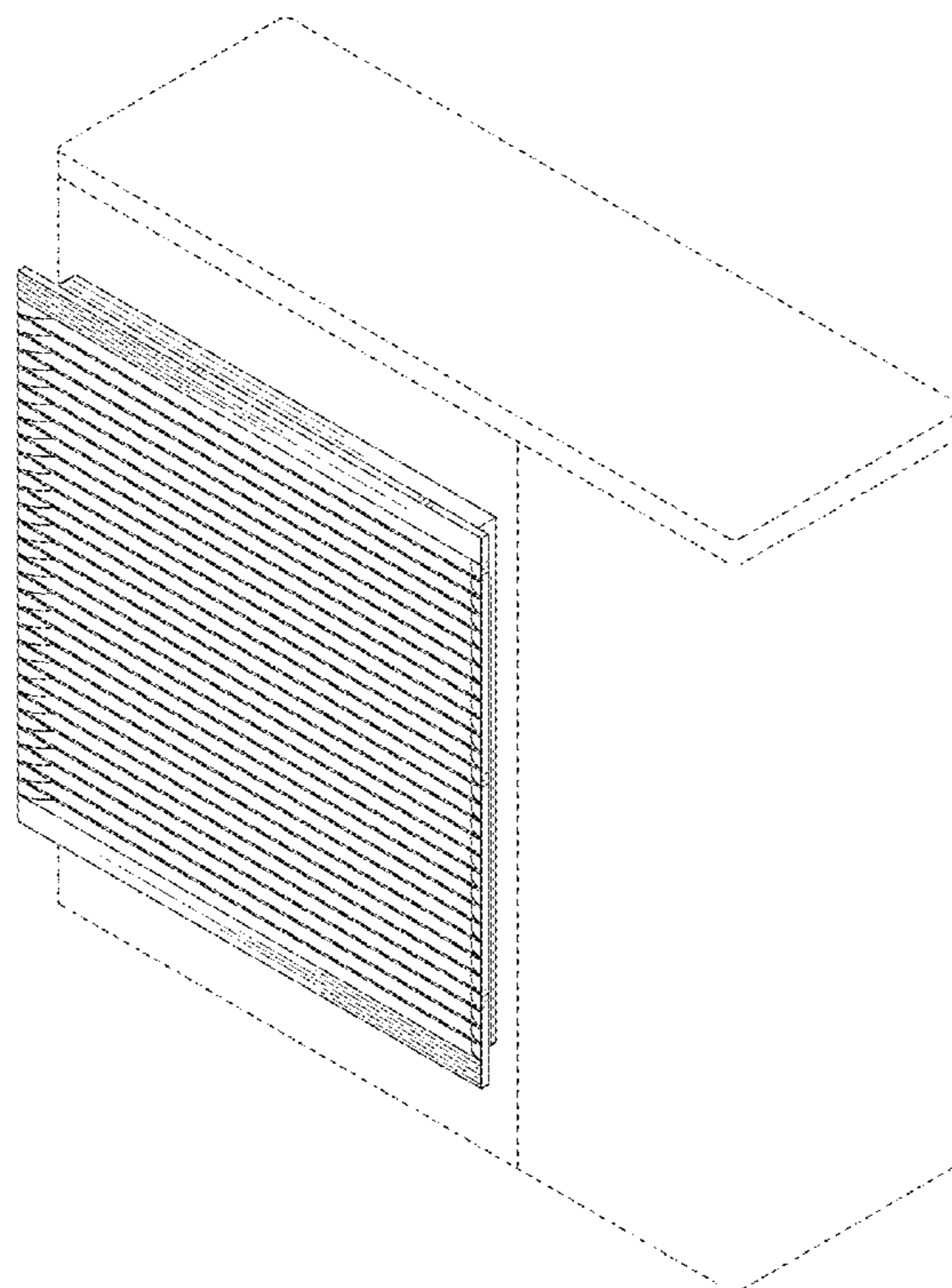


Fig.2

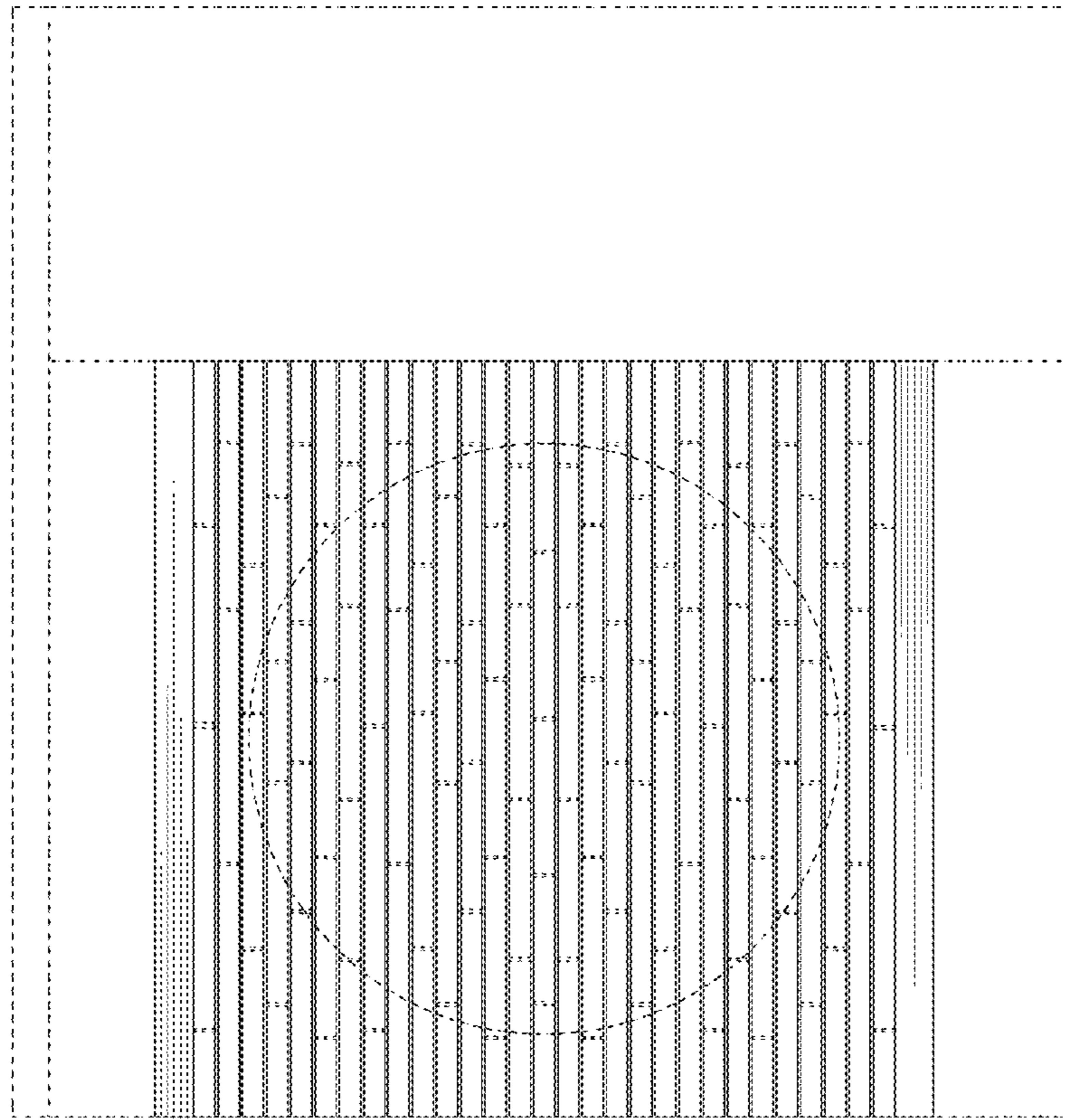


Fig.1

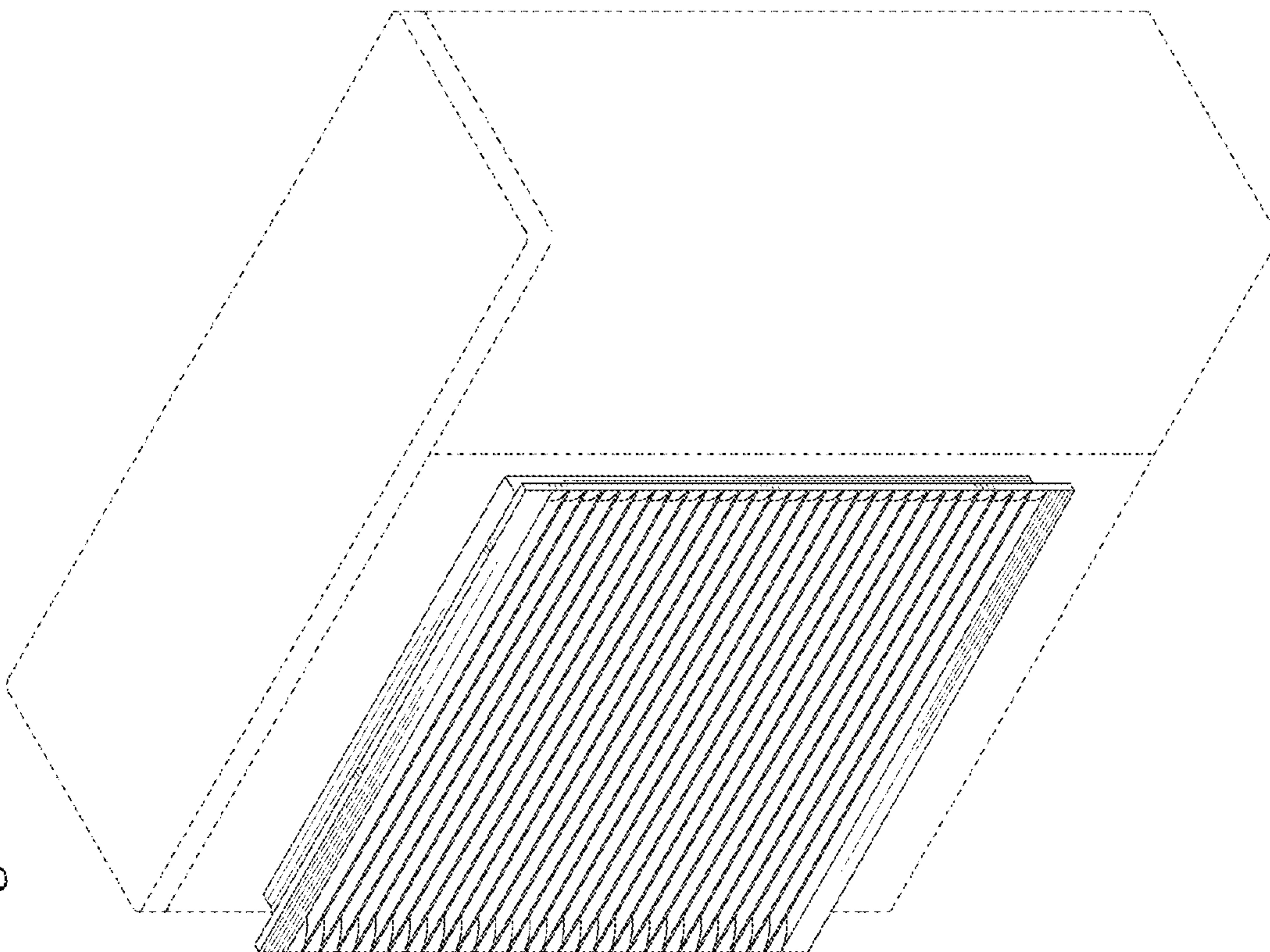


Fig.4

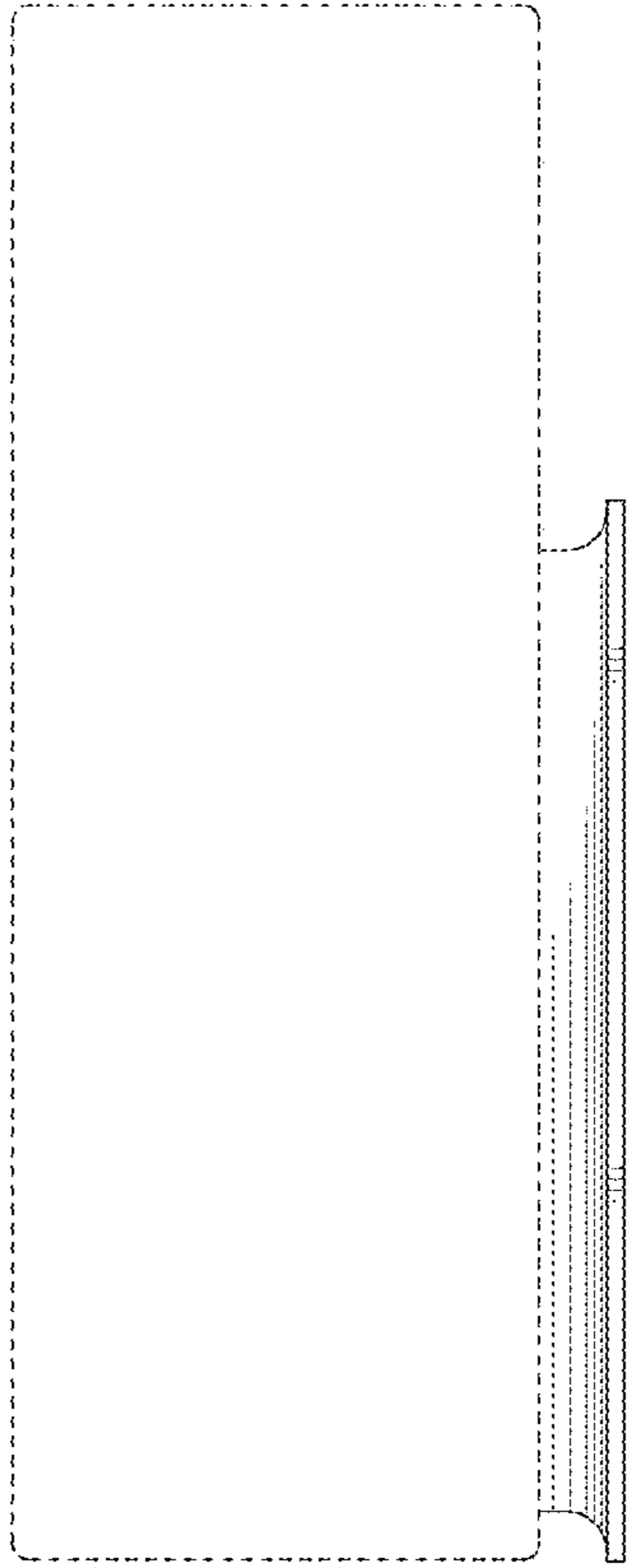


Fig.5

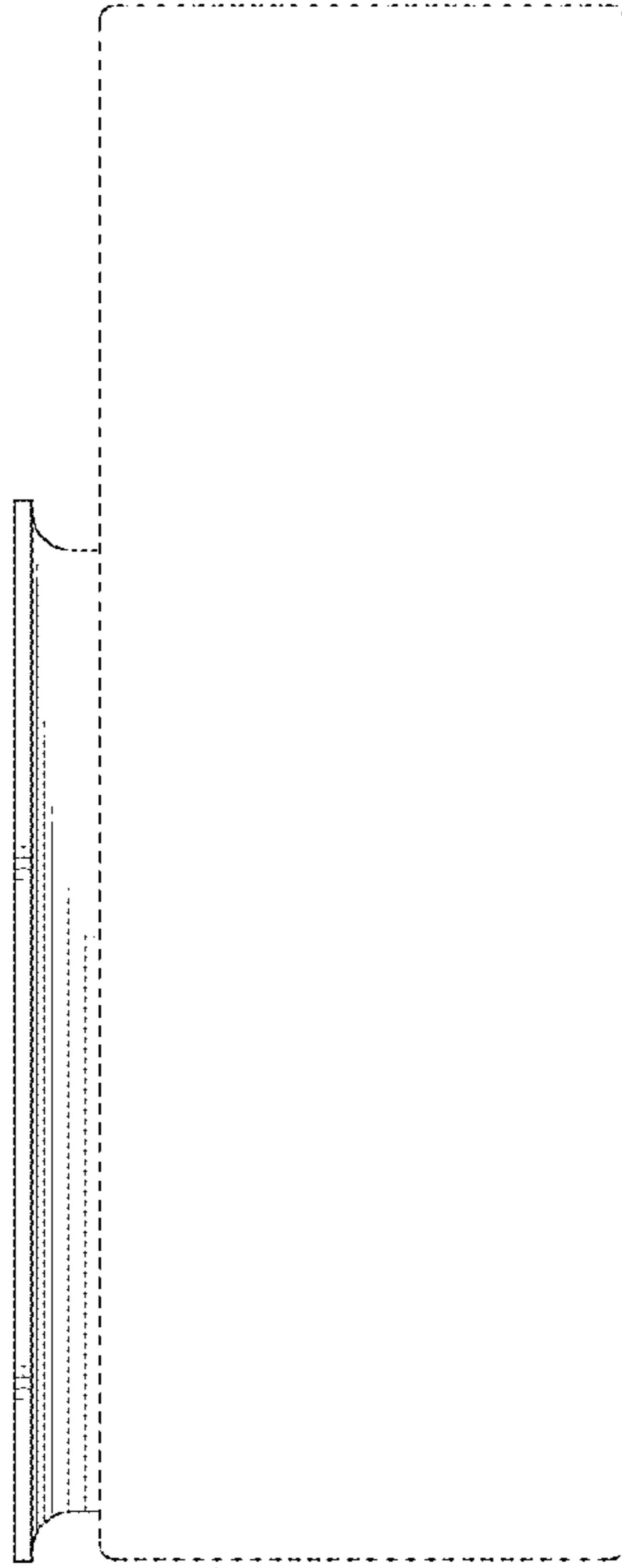


Fig.3



Fig.7

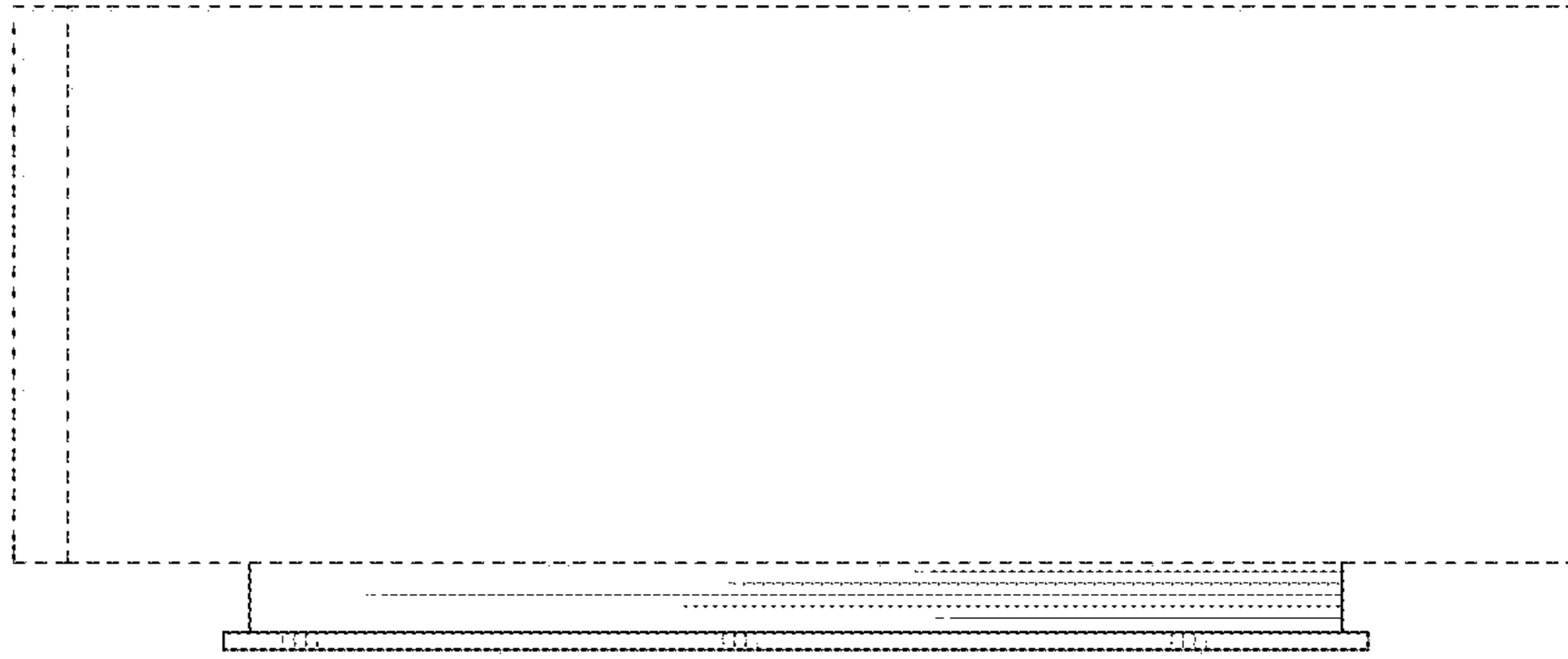


Fig.6

