



US00D946719S

(12) **United States Design Patent**
Niu

(10) **Patent No.:** **US D946,719 S**
(45) **Date of Patent:** **** Mar. 22, 2022**

(54) **PORTABLE TOILET**

(71) Applicant: **Beijing KuaQu Technology Co., LTD,**
Beijing (CN)

(72) Inventor: **Guifang Niu,** Beijing (CN)

(**) Term: **15 Years**

(21) Appl. No.: **29/785,230**

(22) Filed: **May 24, 2021**

(51) **LOC (13) Cl.** **23-02**

(52) **U.S. Cl.**
USPC **D23/299**

(58) **Field of Classification Search**
USPC D23/296, 299, 309; D32/37
See application file for complete search history.

(56) **References Cited**

U.S. PATENT DOCUMENTS

D328,126 S *	7/1992	Wadsworth, Jr.	D23/299
D383,199 S *	9/1997	Nodo	D23/299
7,540,041 B2 *	6/2009	Gara	A47K 11/06 297/440.12
D671,625 S *	11/2012	Karmano	D23/296
D764,032 S *	8/2016	Schmitt	D23/299
D866,729 S	11/2019	Waggoner		
D905,212 S	12/2020	Sullivan		
D917,029 S	4/2021	Niu		
2004/0261166 A1 *	12/2004	Amir	A47K 11/06 4/484
2006/0150312 A1 *	7/2006	Gara	A47K 11/06 4/483
2008/0092284 A1 *	4/2008	Cyr	A47K 11/02 4/483
2011/0258767 A1 *	10/2011	Lok	A47K 11/06 4/483

OTHER PUBLICATIONS

TRIPTIPS Portable Toilet for Camping Travel Toilet Camping Toilet Portable Potty: https://www.amazon.com/TRIPTIPS-Portable-Camping-Waterproof-Folding/dp/B08P52Y6ZP/ref=psdc_3401571_t3_B097BB9Z9H (Year: 2020).*

* cited by examiner

Primary Examiner — Robert A Delehanty

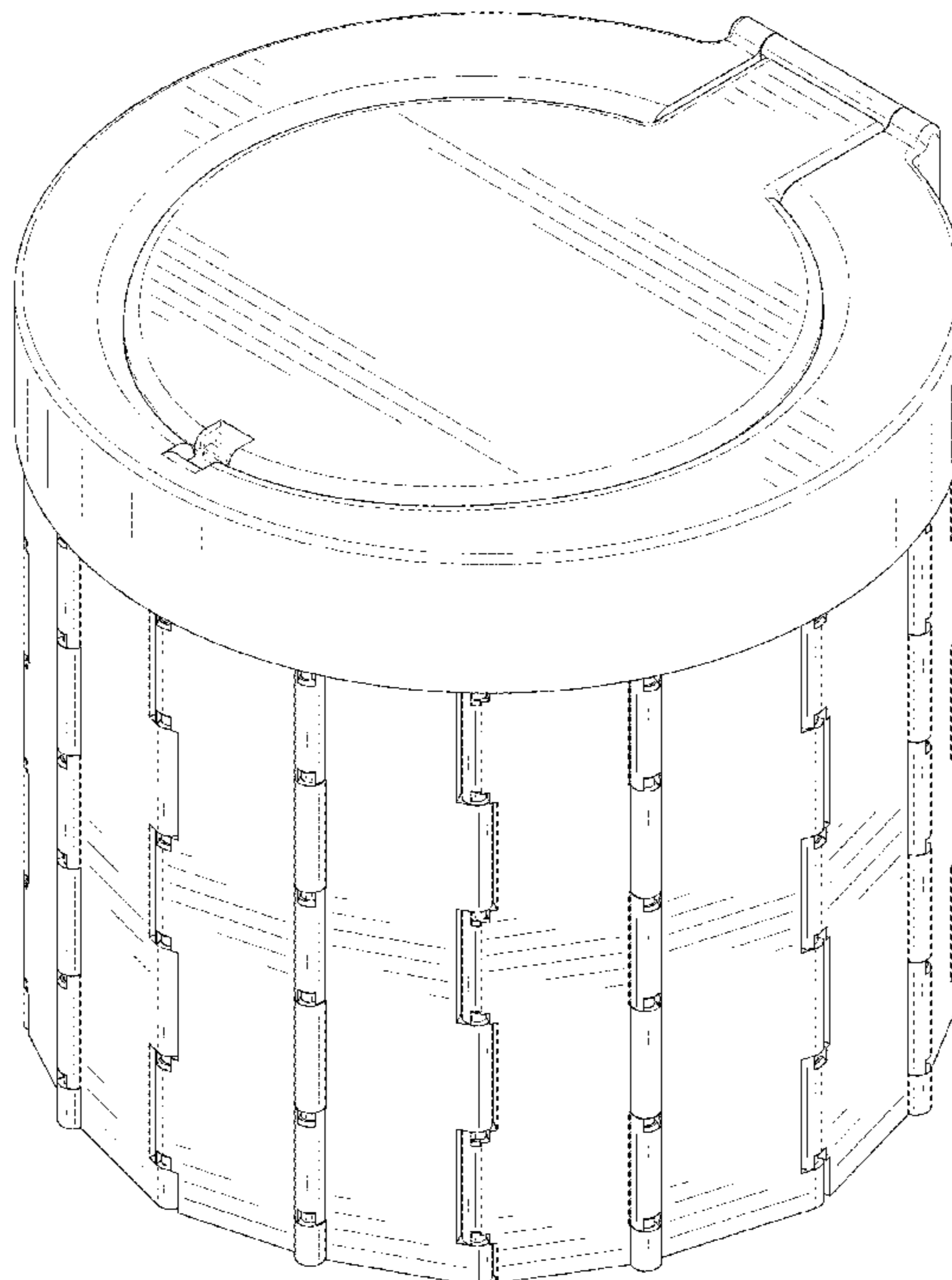
(57) **CLAIM**

The ornamental design for a portable toilet, as shown and described.

DESCRIPTION

FIG. 1 is a front and top perspective view of a portable toilet, showing my new design;
FIG. 2 is a rear and bottom perspective view thereof;
FIG. 3 is a front elevation view thereof;
FIG. 4 is a rear elevation view thereof;
FIG. 5 is a left side elevation view thereof;
FIG. 6 is a right side elevation view thereof;
FIG. 7 is a top plan view thereof;
FIG. 8 is a bottom plan view thereof;
FIG. 9 is an exploded view thereof;
FIG. 10 is another perspective view thereof, shown in an alternative position; and,
FIG. 11 is another perspective view thereof, shown in an alternative position.
The broken lines in the figures illustrate portions of the portable toilet that form no part of the claimed design.

1 Claim, 11 Drawing Sheets



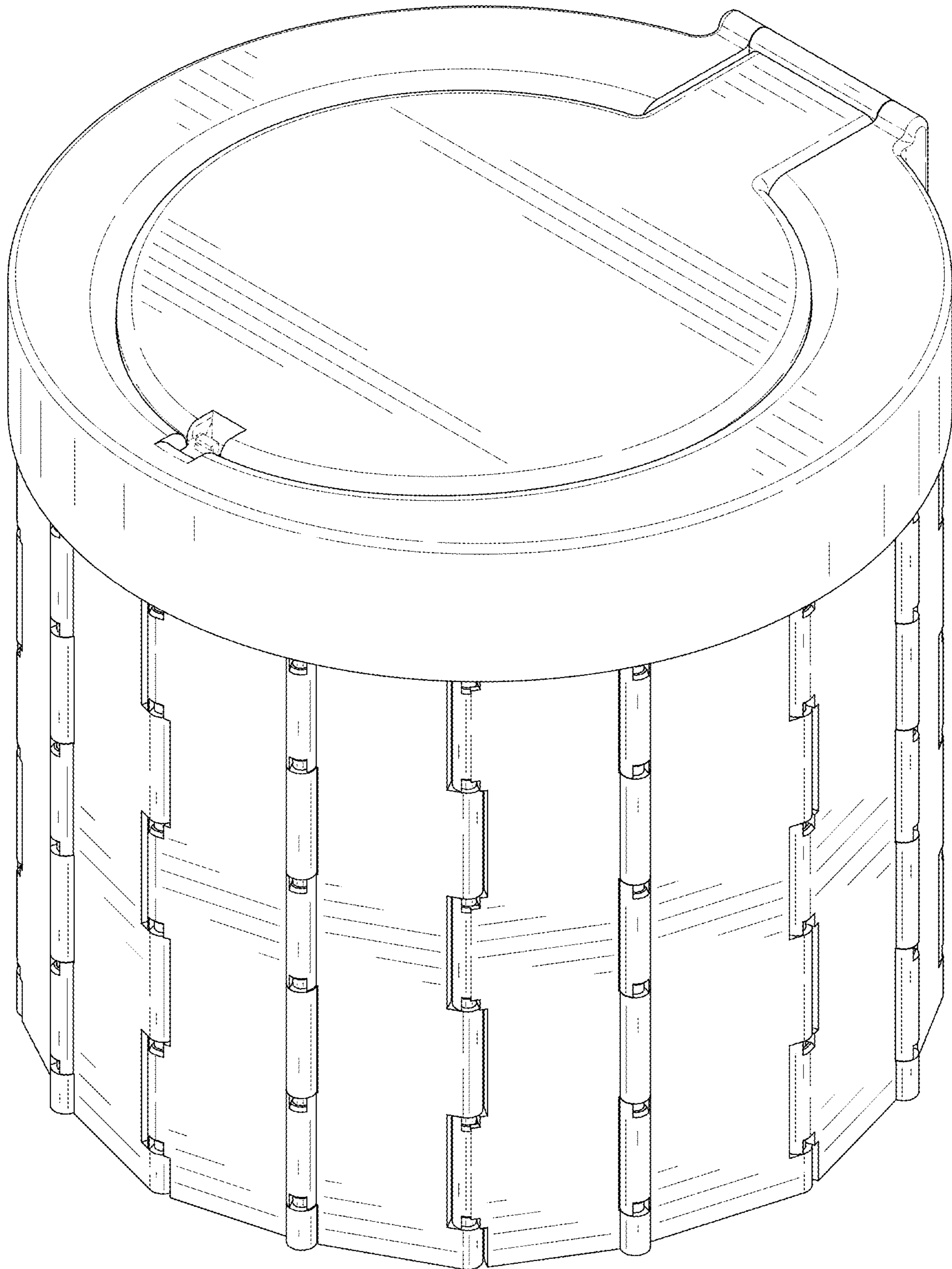


FIG. 1

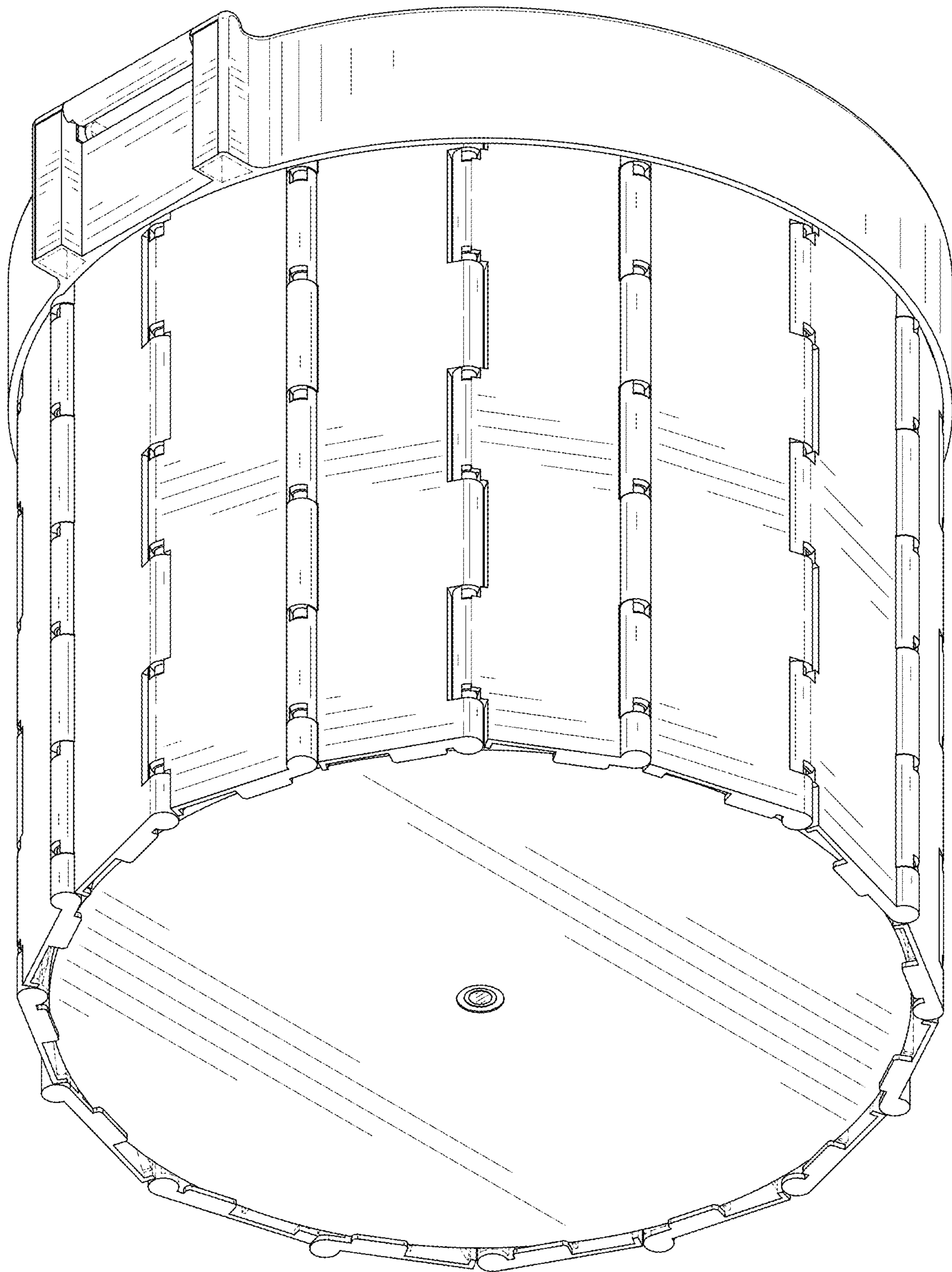


FIG. 2

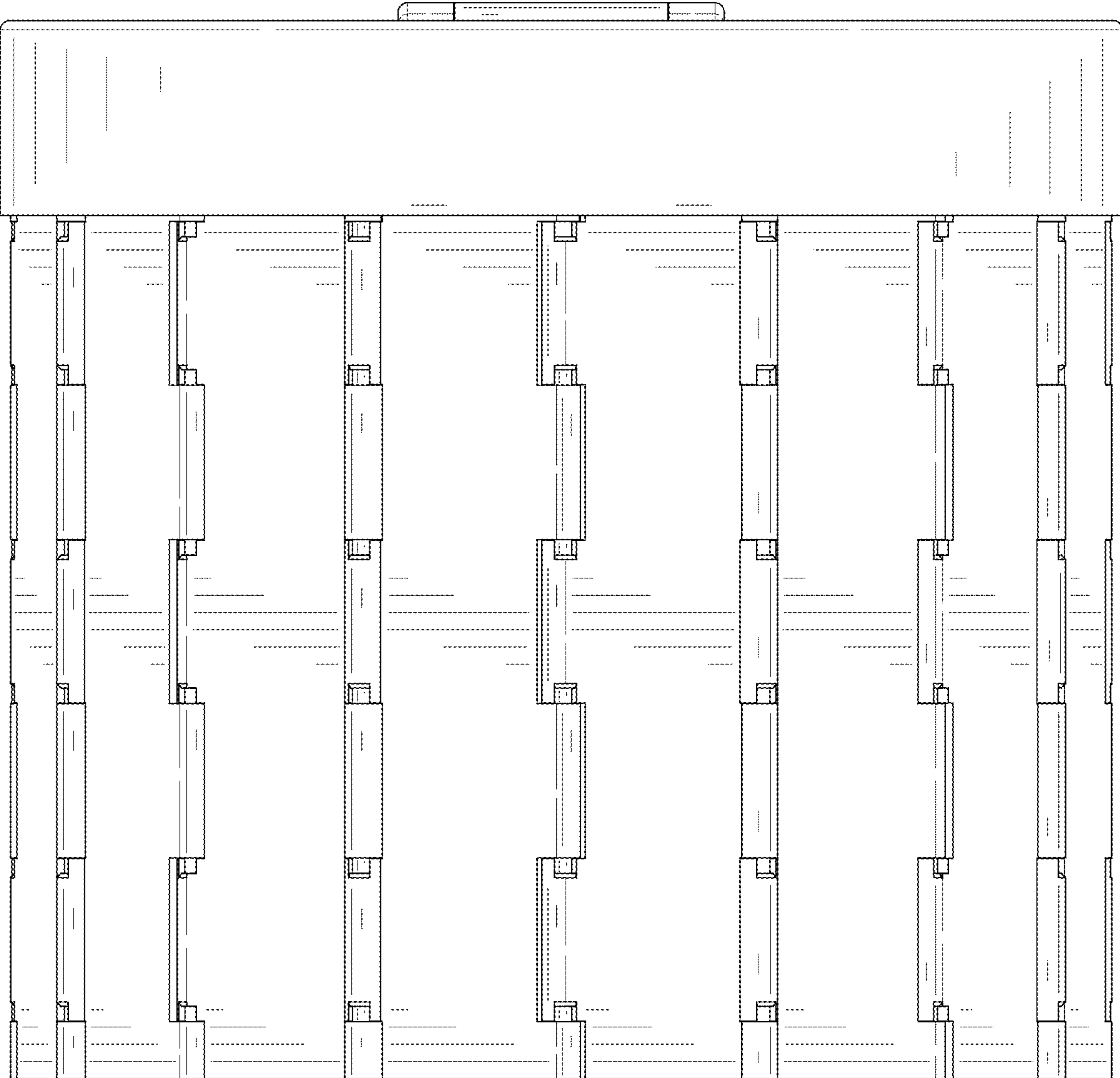


FIG. 3

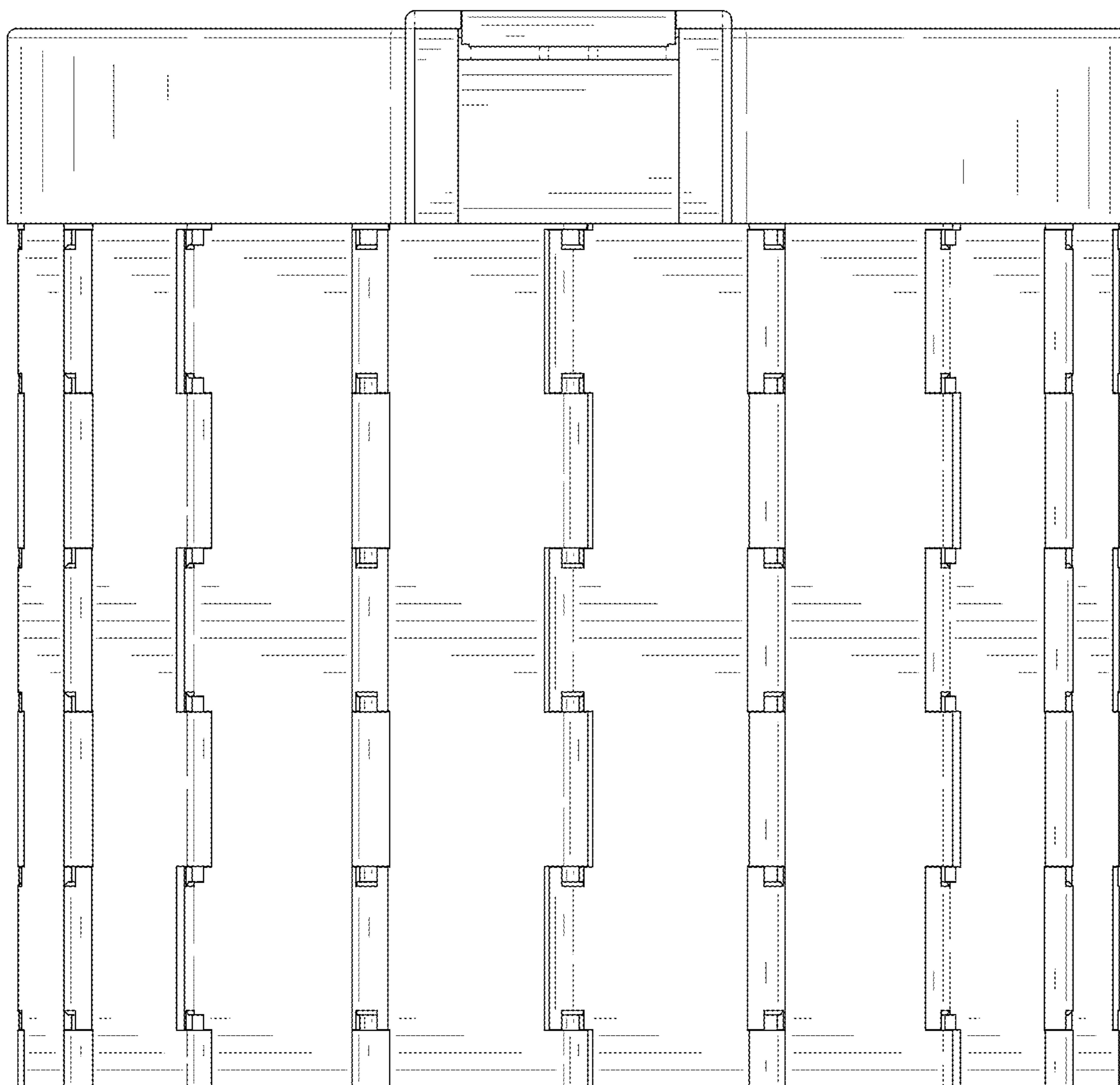


FIG. 4

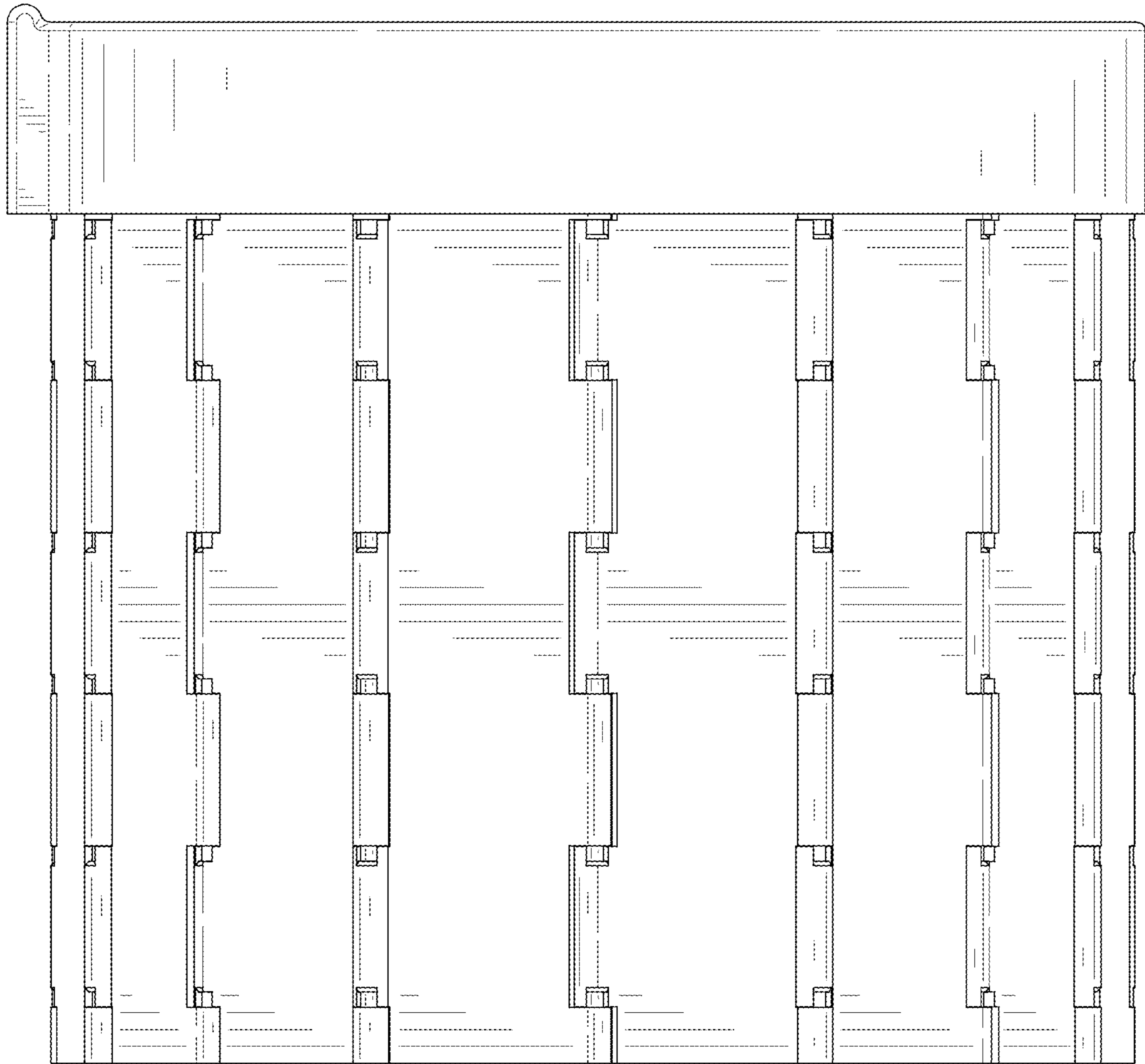


FIG. 5

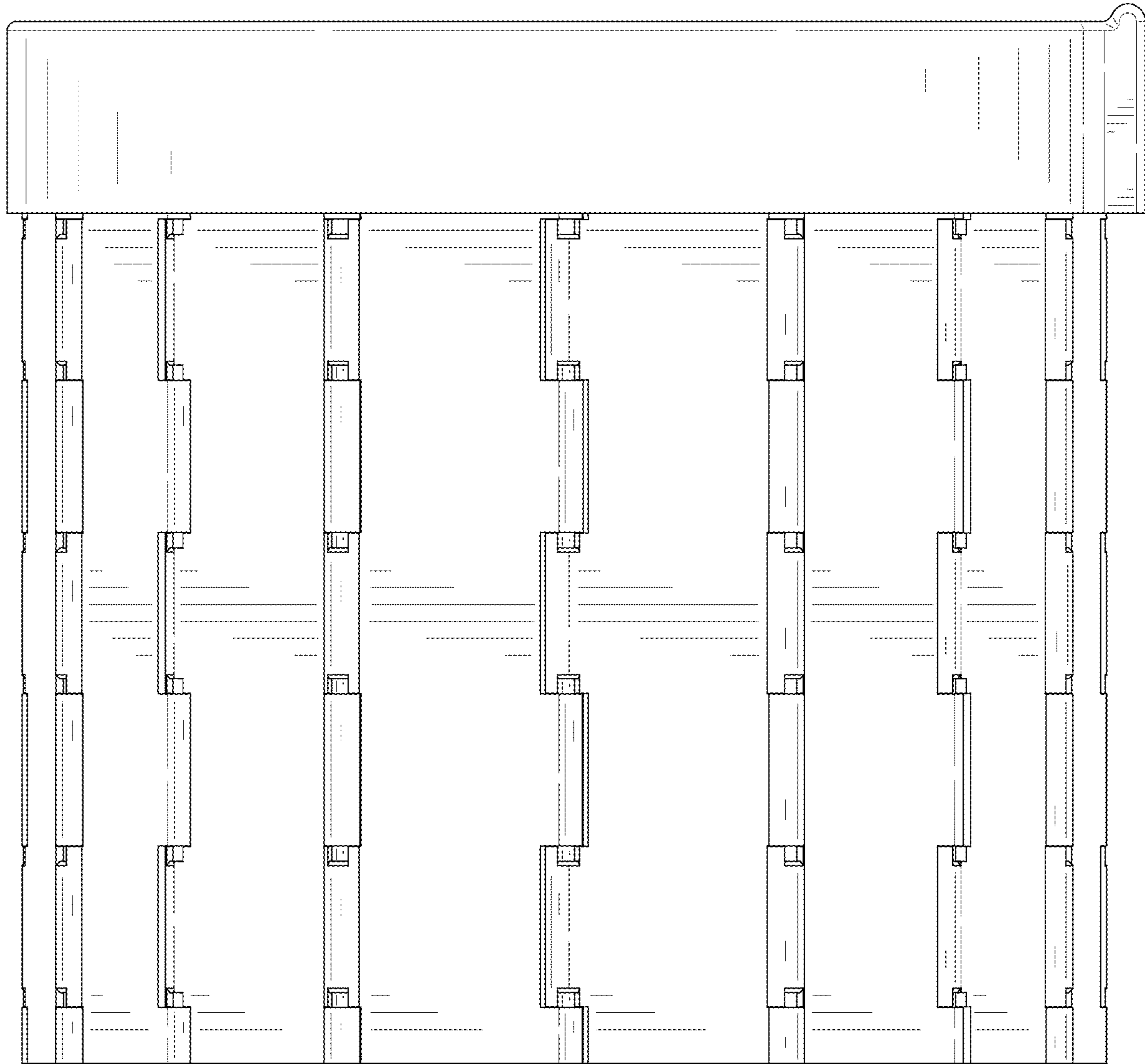


FIG. 6

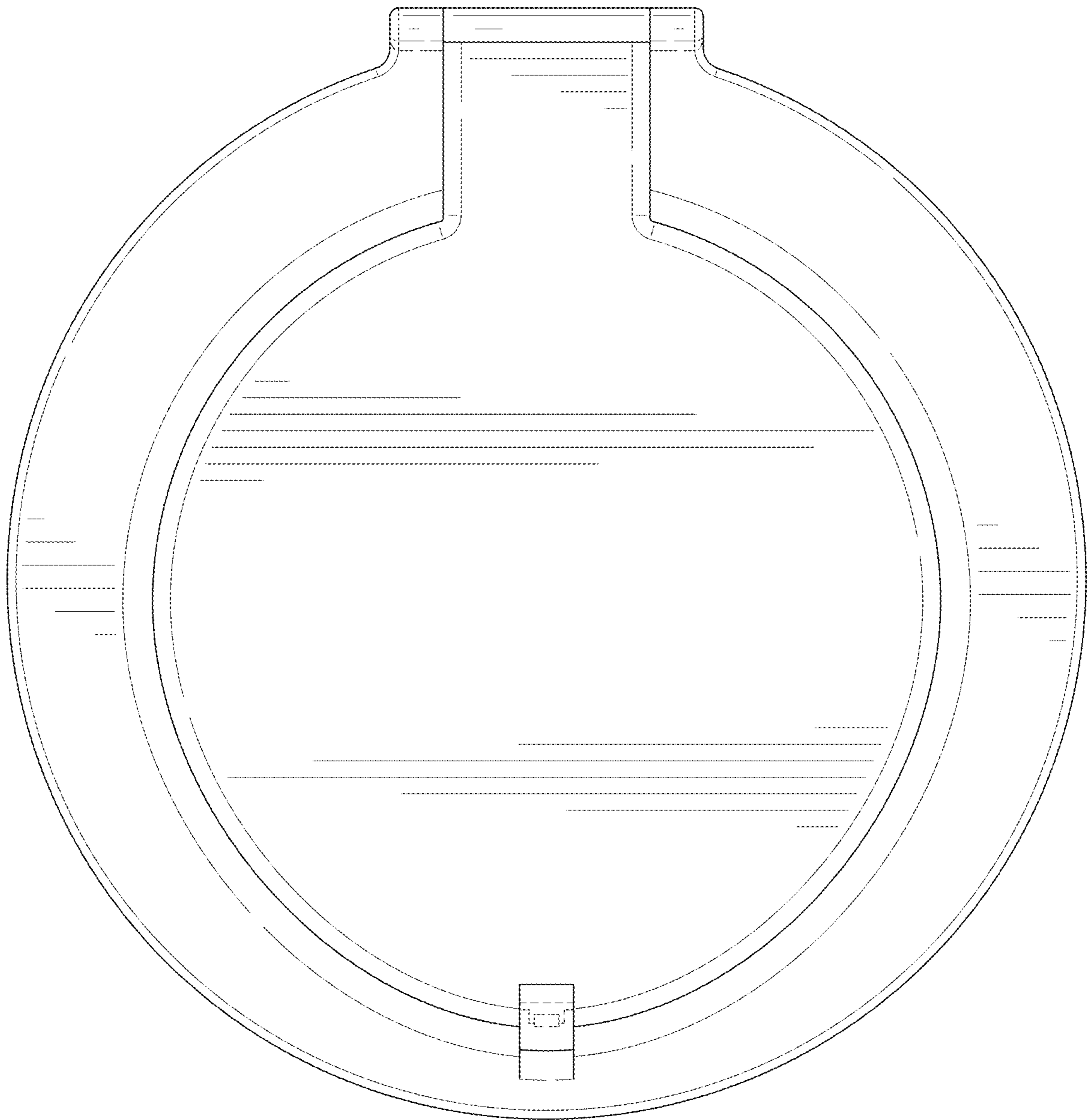


FIG. 7

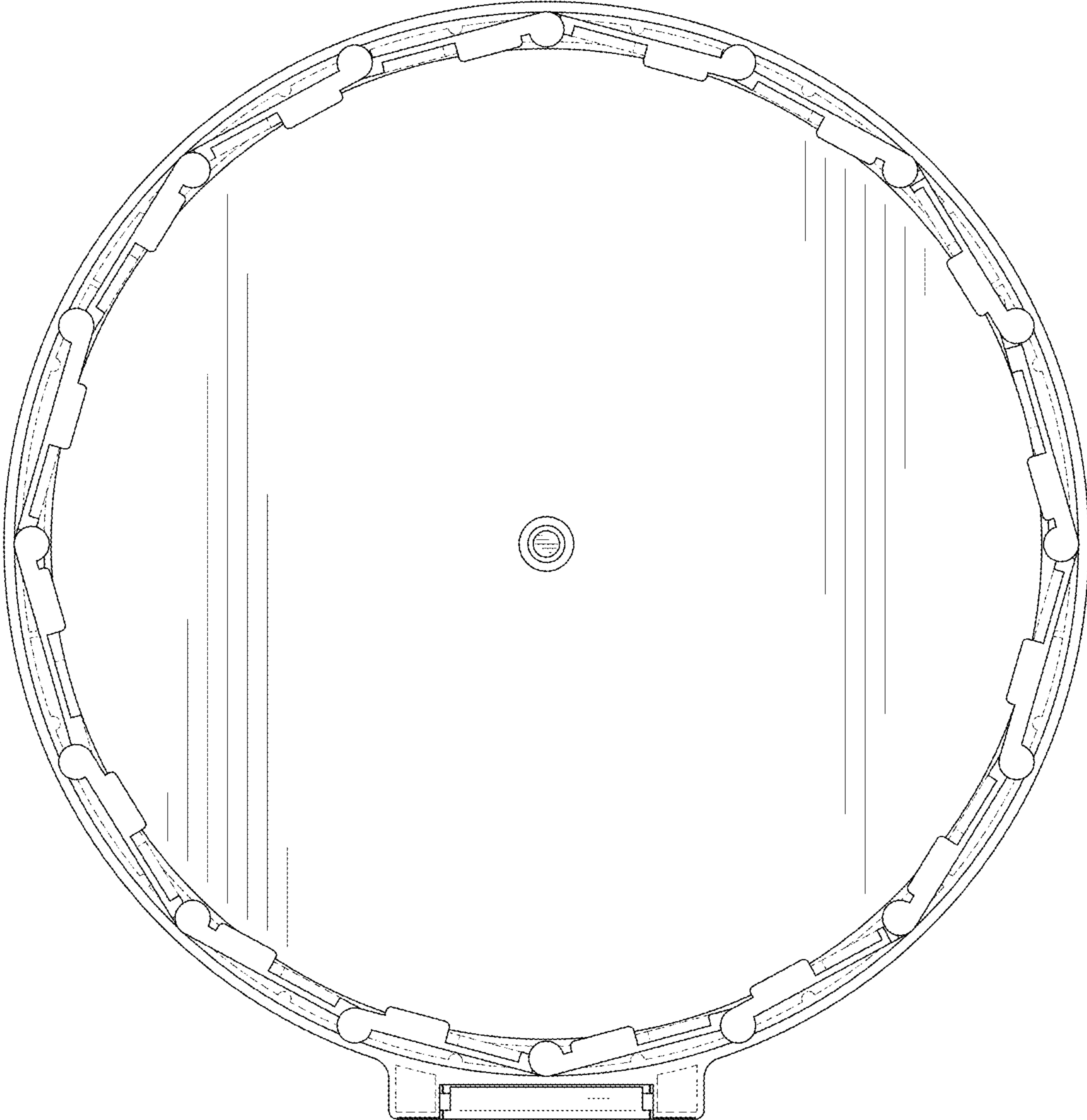


FIG. 8

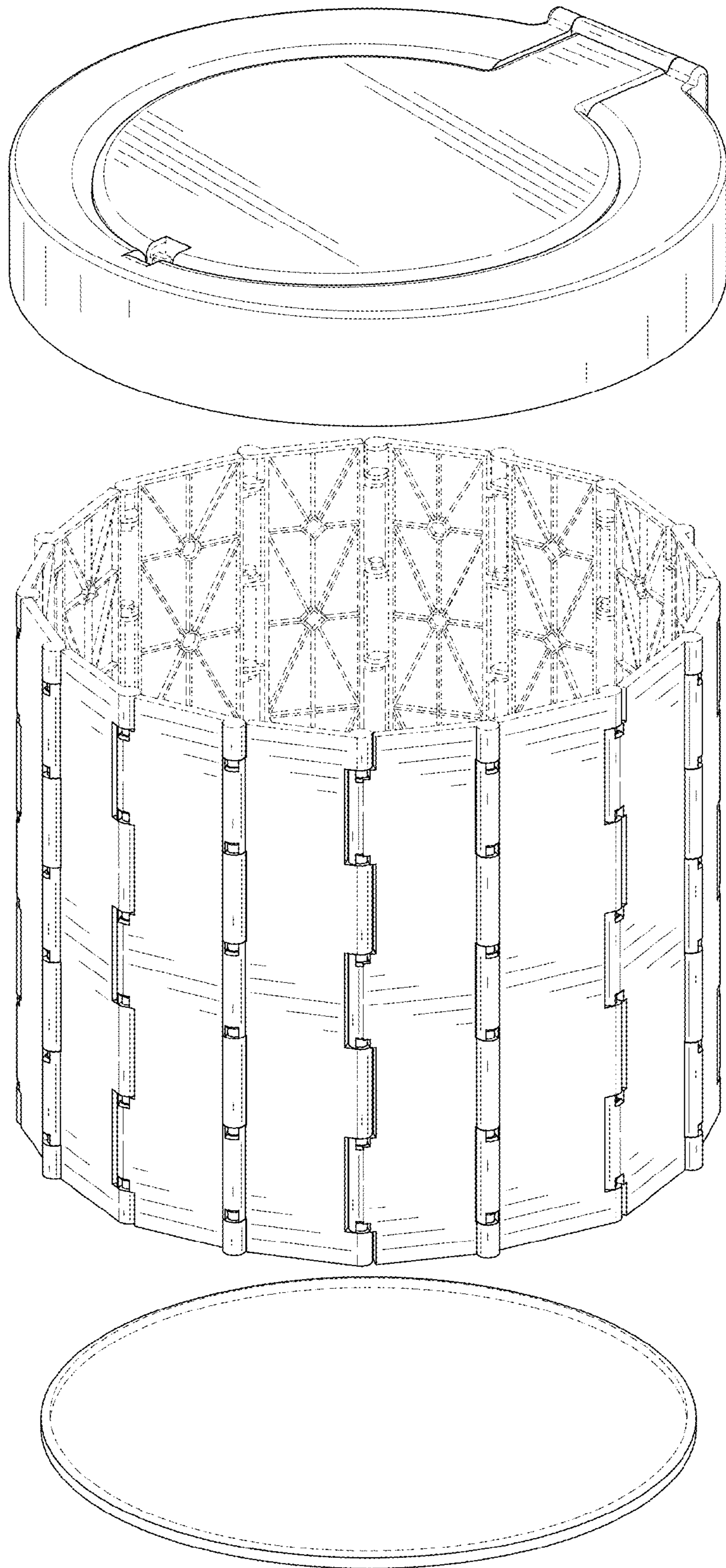


FIG. 9

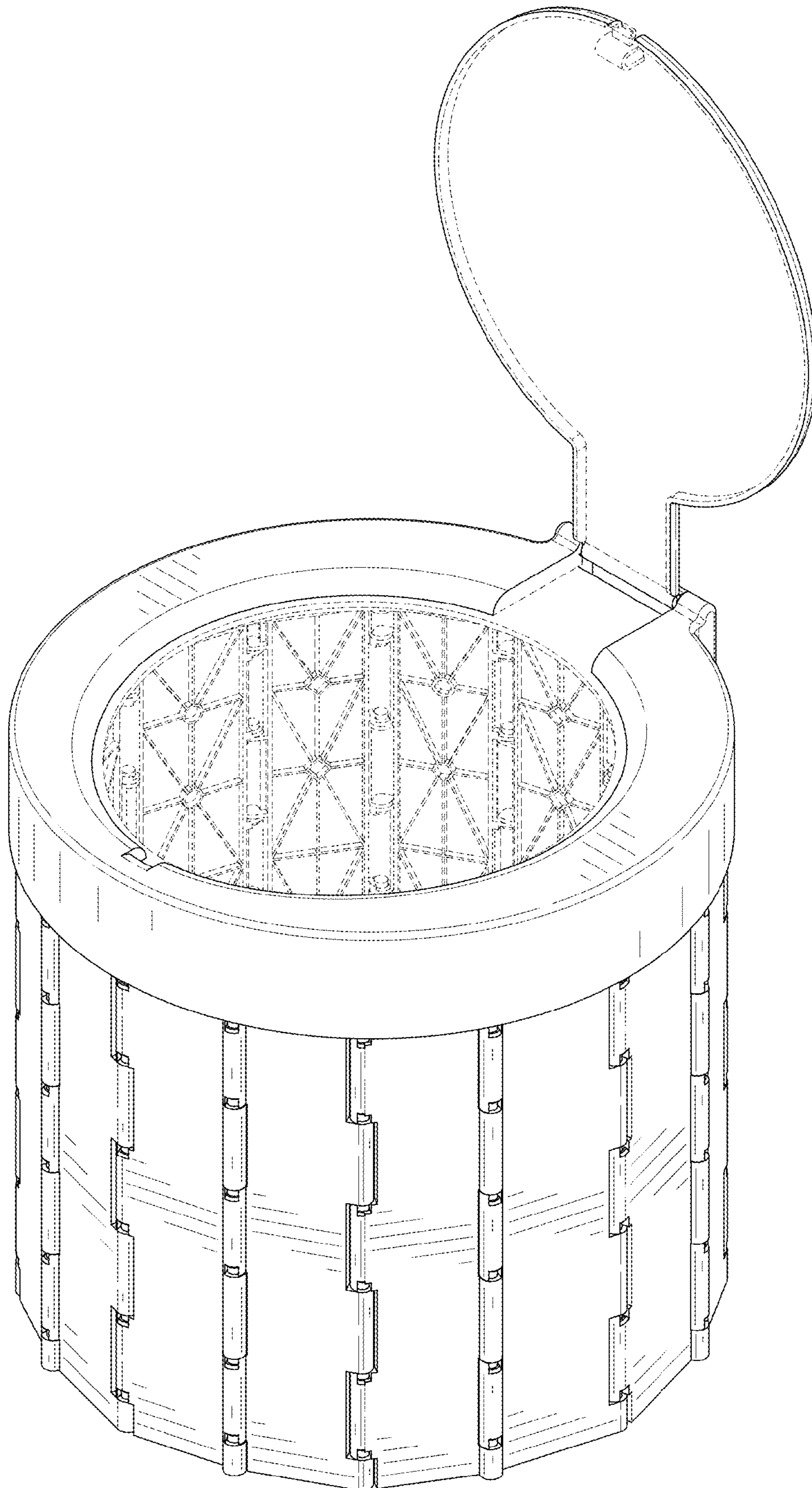


FIG. 10

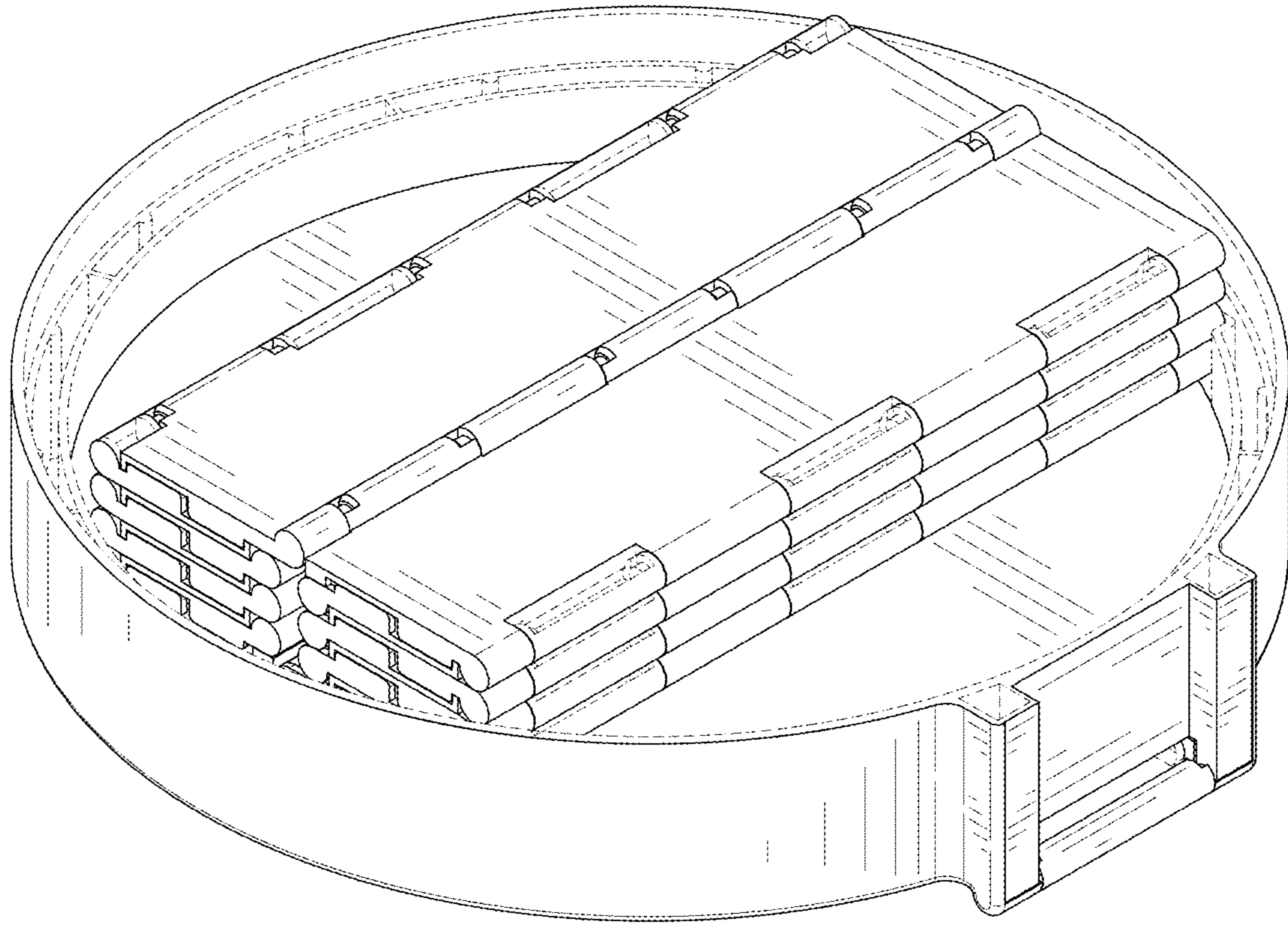


FIG. 11