



US00D946718S

(12) **United States Design Patent**
Zeng

(10) **Patent No.:** **US D946,718 S**
(45) **Date of Patent:** **** Mar. 22, 2022**

- (54) **SINK**
- (71) Applicant: **Wen Zeng**, Foshan (CN)
- (72) Inventor: **Wen Zeng**, Foshan (CN)
- (**) Term: **15 Years**
- (21) Appl. No.: **29/715,578**
- (22) Filed: **Dec. 3, 2019**
- (51) **LOC (13) Cl.** **23-02**
- (52) **U.S. Cl.**
USPC **D23/284**
- (58) **Field of Classification Search**
USPC D23/271, 284, 285, 286, 293.1, 308
See application file for complete search history.

(56) **References Cited**

U.S. PATENT DOCUMENTS

D705,404 S *	5/2014	Anzellini	D23/293.1
D767,738 S *	9/2016	Osterroth	D23/284
D814,615 S *	4/2018	Ziemann	D23/293.1
D826,386 S *	8/2018	Bomatter	D23/293.1
D858,722 S *	9/2019	Bucher	D23/284
D865,138 S *	10/2019	Lyons	D23/293.1
D866,725 S *	11/2019	Flowers	D23/284
2020/0407956 A1 *	12/2020	Zeng	E03C 1/18

* cited by examiner

Primary Examiner — Robert A Delehanty
(74) *Attorney, Agent, or Firm* — Schmeiser, Olsen & Watts, LLP

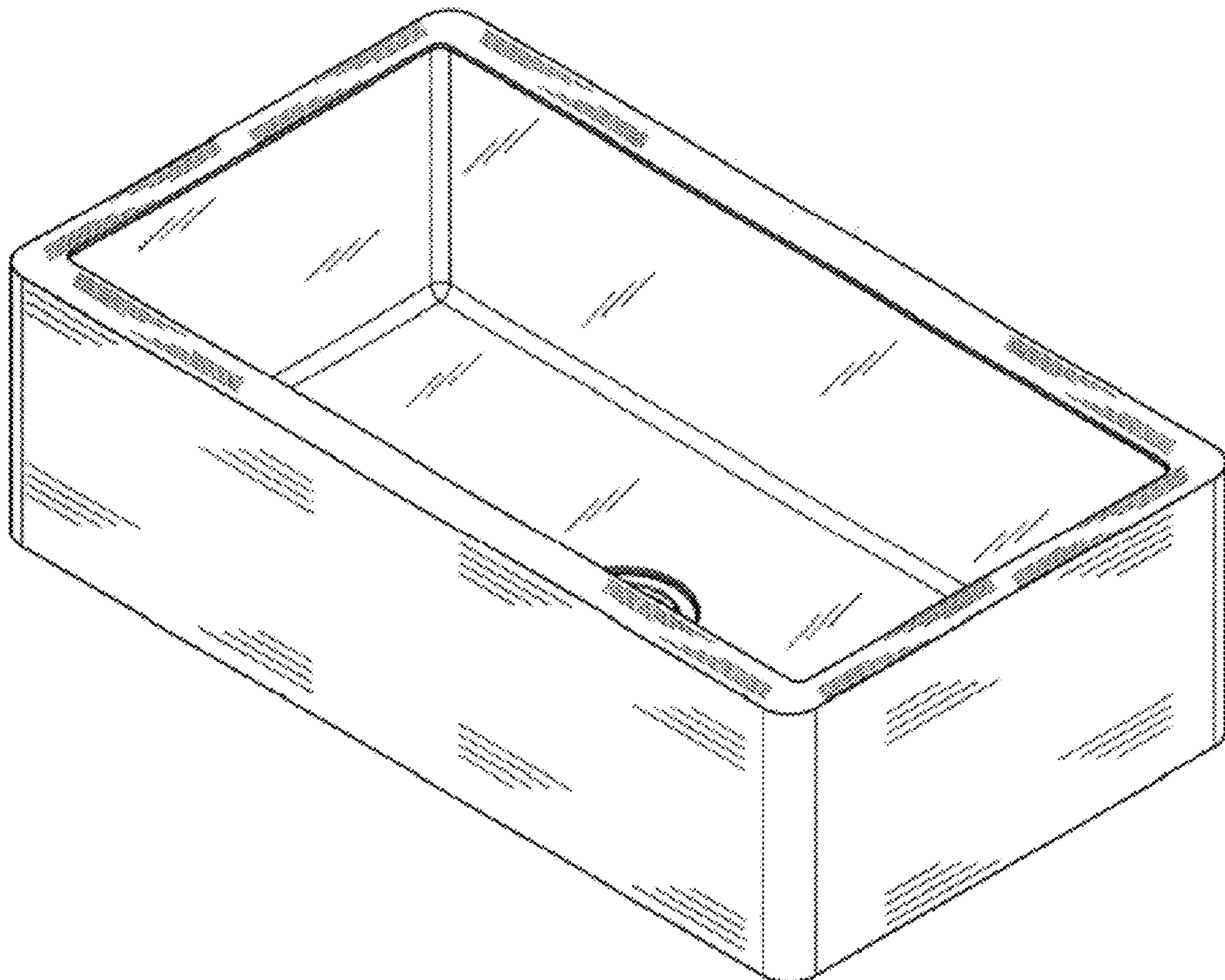
(57) **CLAIM**

The ornamental design for a sink, as shown and described.

DESCRIPTION

FIG. 1 is a top plan view of my ornamental design for a sink;
 FIG. 2 is a bottom view thereof;
 FIG. 3 is a front view thereof, the rear view is a mirror image thereof;
 FIG. 4 is a left-side view thereof, the right-side view is a mirror image thereof;
 FIG. 5 is a perspective view thereof; and,
 FIG. 6 is a cross section of FIG. 1 along 6-6.
 The broken lines illustrate portions of the sink and form no part of the claimed design.
 The interior and exterior surfaces of the sink design are made of contrasting materials, and the contrast in materials is illustrated by the oblique lines shading the interior surface and the parallel lines shading the exterior surface.

1 Claim, 6 Drawing Sheets



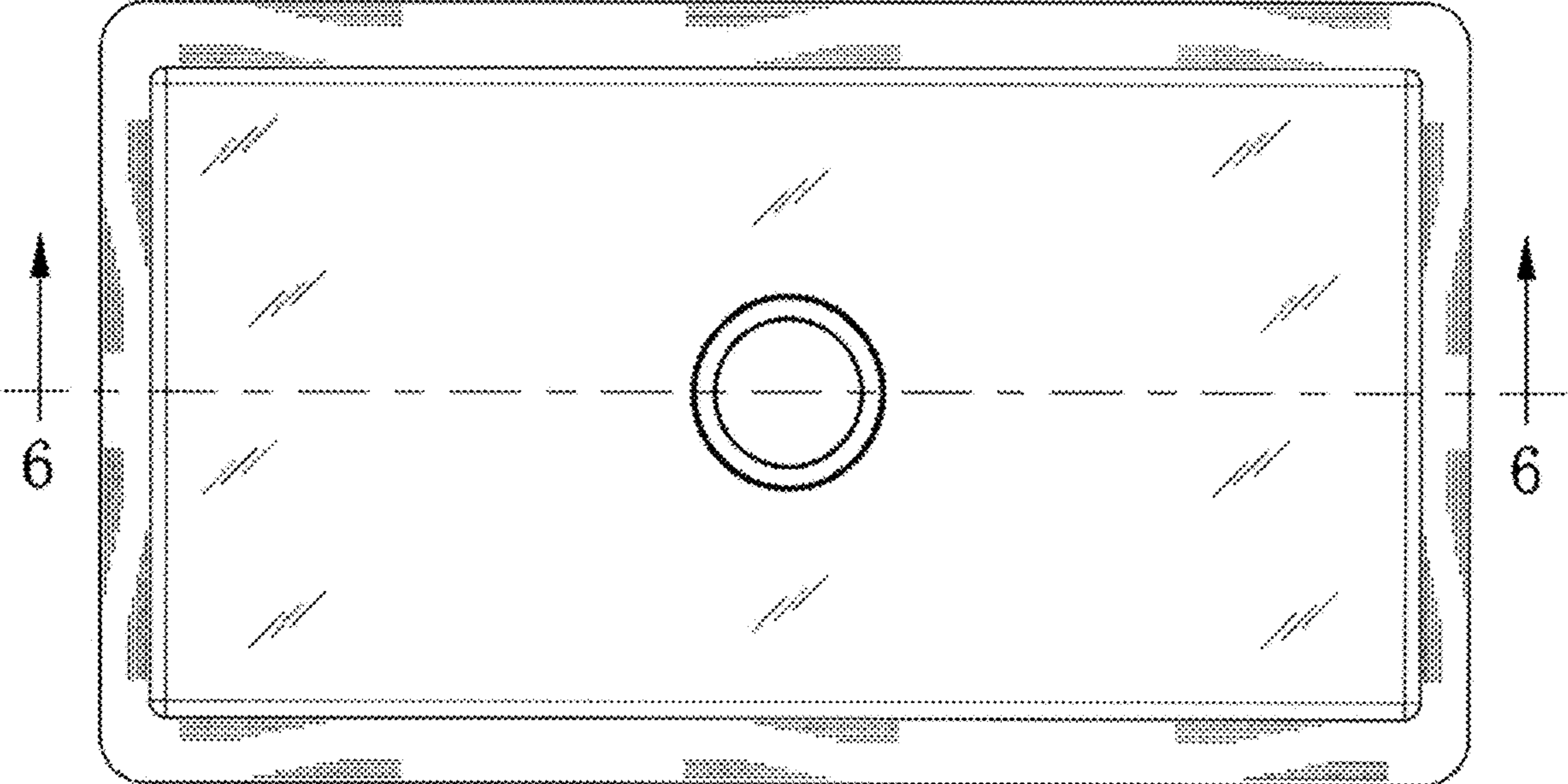


FIG. 1

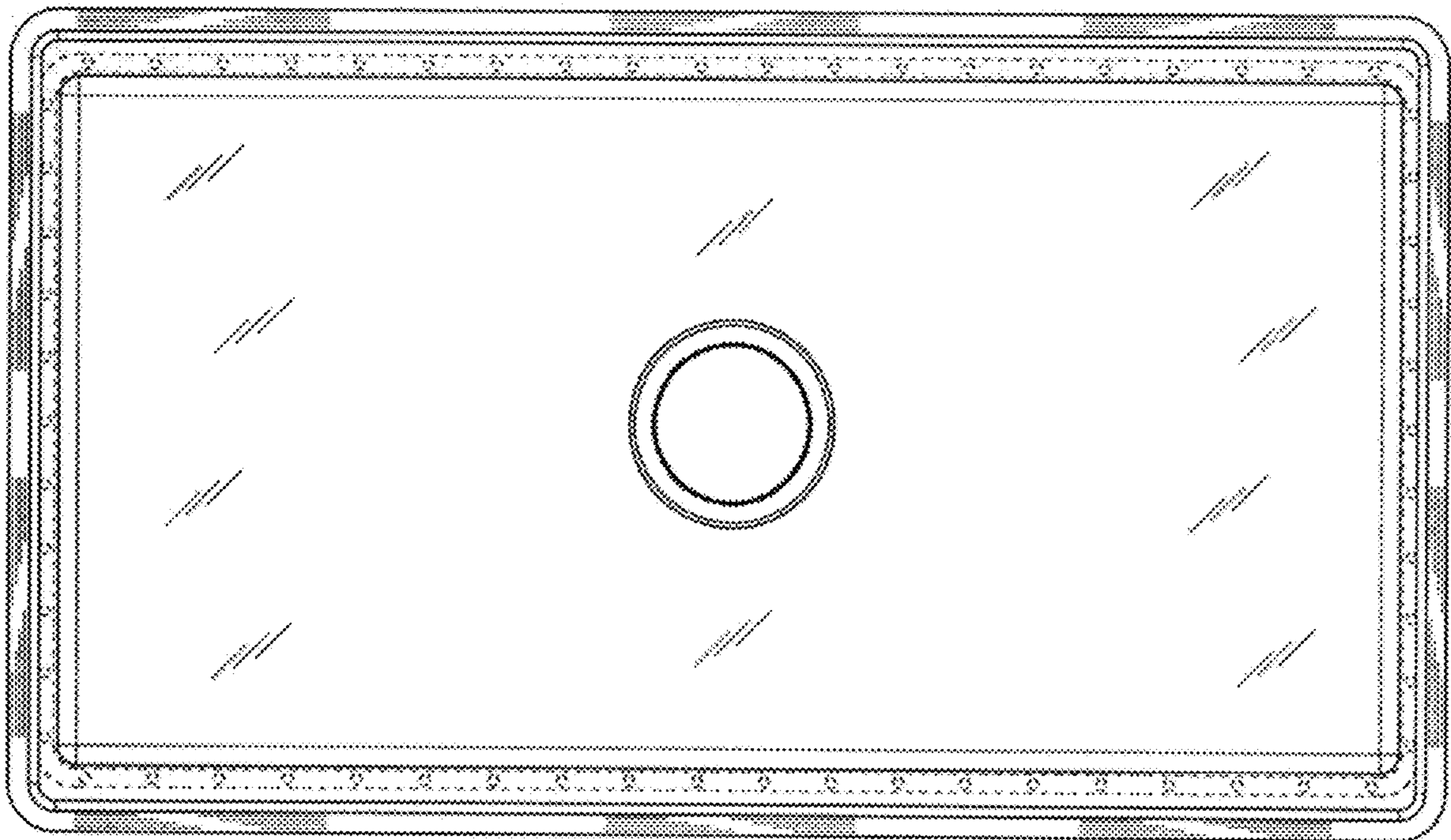


Fig.2

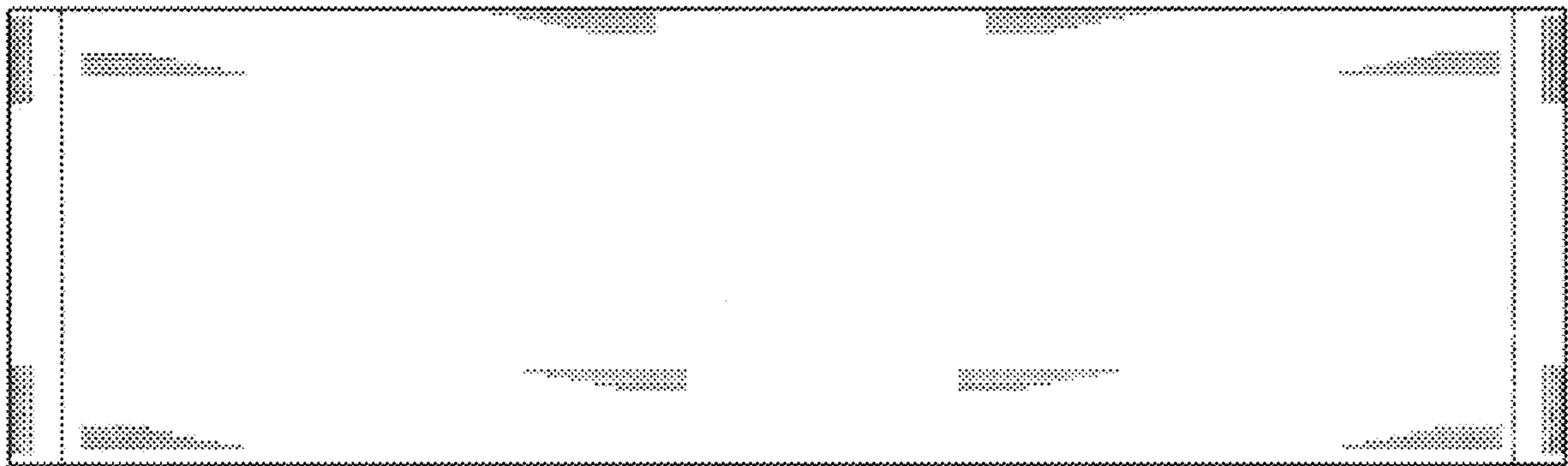


Fig.3

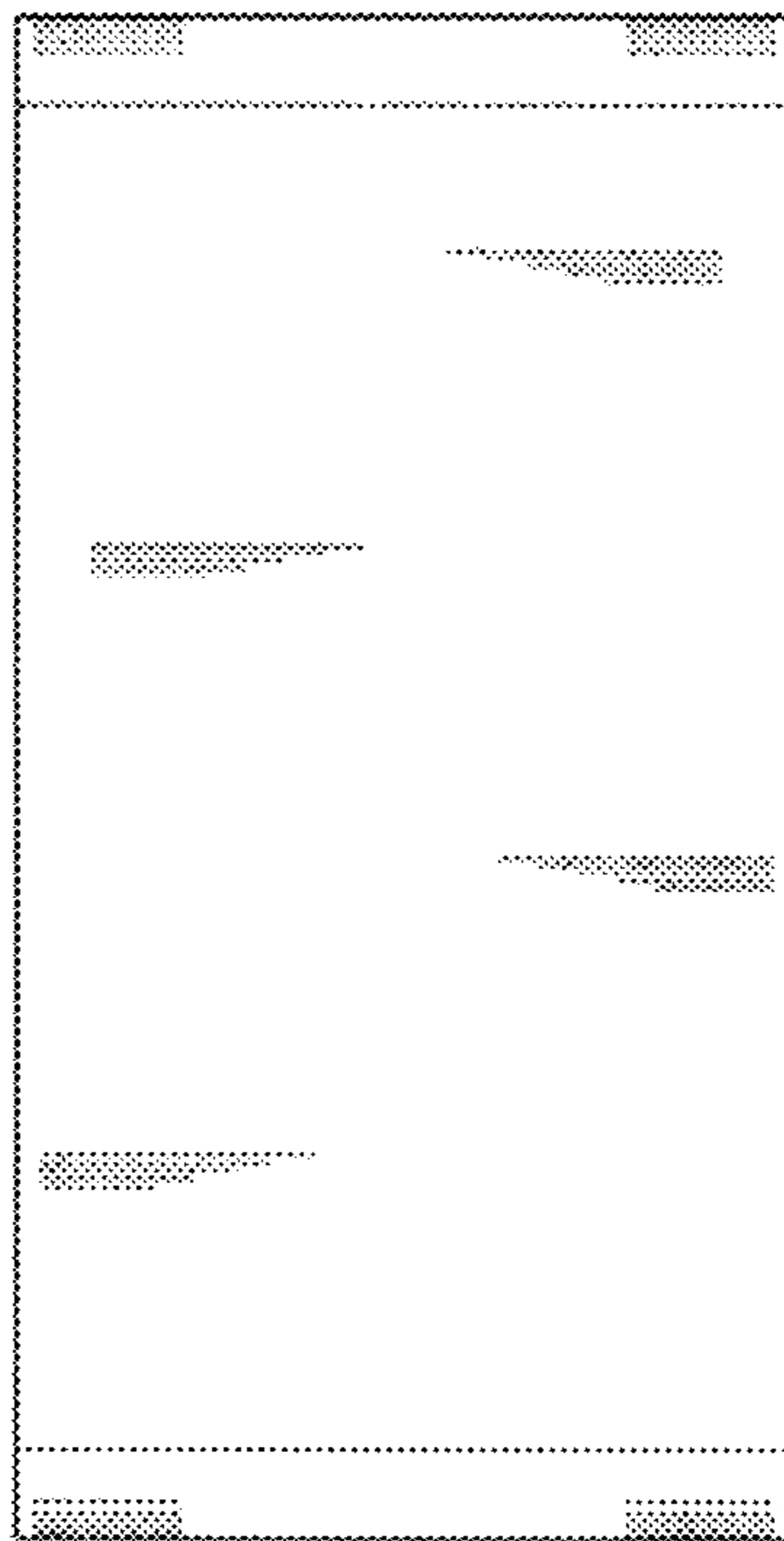


Fig.4

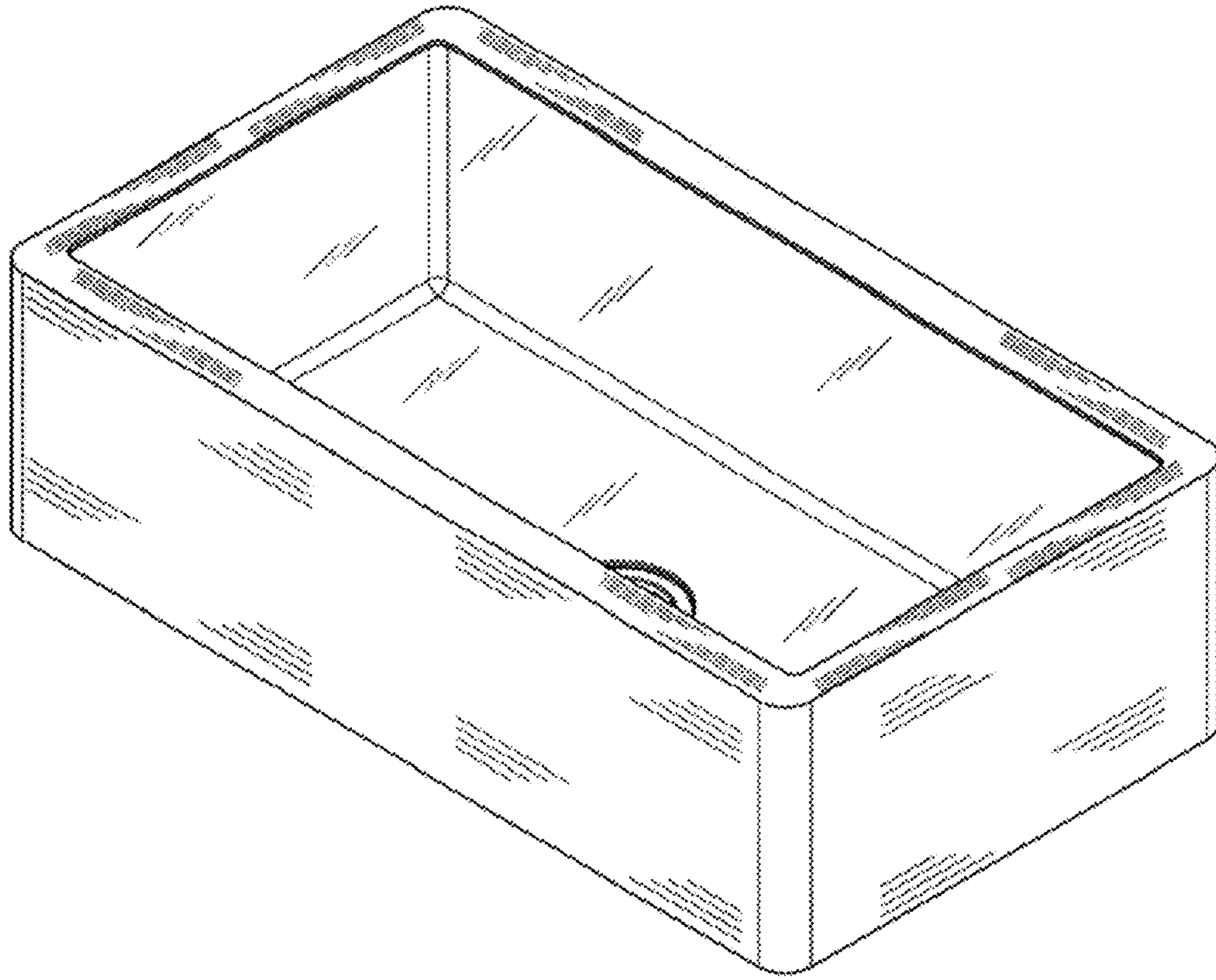


Fig. 5

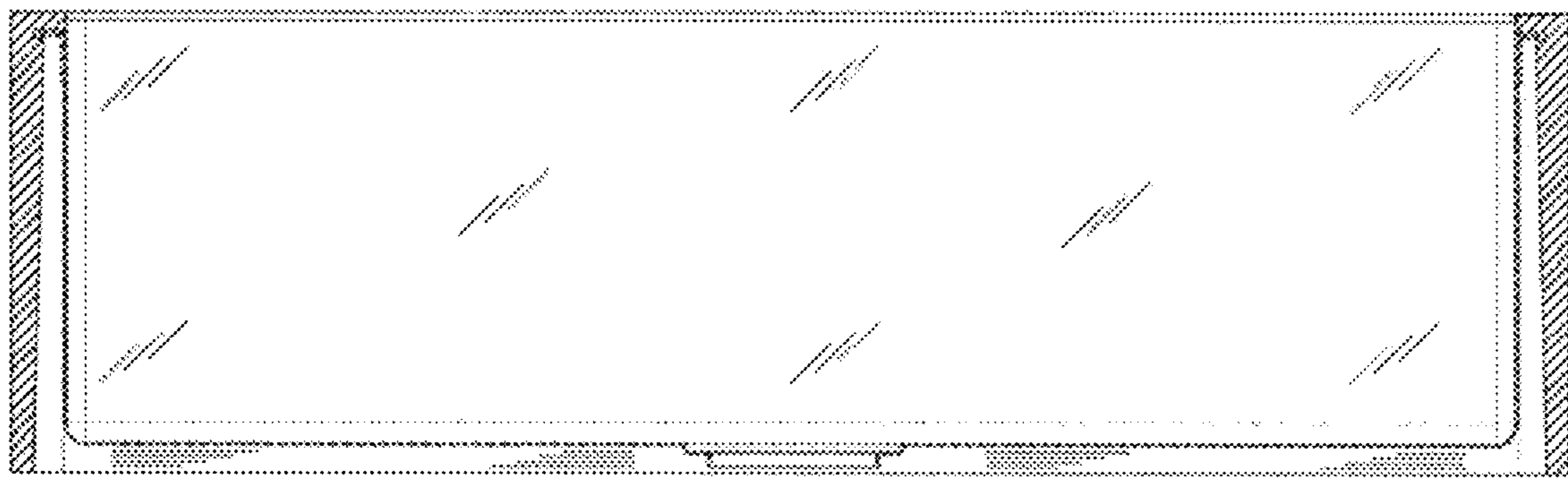


Fig.6