



US00D946717S

(12) **United States Design Patent**
Dufermont

(10) **Patent No.:** **US D946,717 S**
(45) **Date of Patent:** **** Mar. 22, 2022**

(54) **SHOWER CUBICLE**

(71) Applicant: **Philippe Dufermont**, Valencia (ES)

(72) Inventor: **Philippe Dufermont**, Valencia (ES)

(**) Term: **15 Years**

(21) Appl. No.: **35/509,634**

(22) Filed: **Jun. 1, 2020**

(80) **Hague Agreement Data**

Int. Filing Date: **Jun. 1, 2020**

Int. Reg. No.: **DM/208572**

Int. Reg. Date: **Jun. 1, 2020**

Int. Reg. Pub. Date: **Jun. 19, 2020**

(51) **LOC (13) Cl.** **23-02**

(52) **U.S. Cl.**
USPC **D23/283**

(58) **Field of Classification Search**

USPC D23/275, 283, 303, 304, 305, 315, 316
CPC A61K 2300/00; A61K 31/716; A61K 8/37;
A61K 8/466; A61K 8/33; A61K 8/347;
A61K 8/35; A61K 8/361; A61K 8/42;
A61K 8/602; A61K 8/06; A61K 8/19;
A61K 8/34; A61K 8/345; A61K 8/375;
A61K 8/41; A61K 8/442; A61K 8/463;
A61K 8/4926; A61K 8/494; A61K
8/4946; A61K 8/498; A61K 8/731; A61K
8/891; A61K 8/97; A61K 33/06; A61K
33/08; A61K 33/24; A61K 33/26; A61K
33/30; A61K 33/34

See application file for complete search history.

(56) **References Cited**

U.S. PATENT DOCUMENTS

D253,299 S * 10/1979 Hess D23/283
D346,015 S * 4/1994 Maskell D23/275
D380,528 S * 7/1997 D'Andrea D23/283
D385,018 S * 10/1997 Sadler D23/283
D385,019 S * 10/1997 Sadler D23/283

D405,517 S * 2/1999 Eeckhoudt D23/283
D405,873 S * 2/1999 Funk D23/283
D495,788 S * 9/2004 Helmetsie D23/283
D498,829 S * 11/2004 Helmetsie D23/283
D560,769 S * 1/2008 Breymaier D23/283
D621,010 S * 8/2010 Hoernig D23/283
D629,088 S * 12/2010 Yoo D23/305

(Continued)

FOREIGN PATENT DOCUMENTS

DE 29605479 U1 7/1996
EP 0655216 A1 5/1995

(Continued)

Primary Examiner — Natasha Vujcic

(57) **CLAIM**

The ornamental design for a shower cubicle, as shown and described.

DESCRIPTION

1. Shower cubicle

1.1 : Perspective front view of cubicle right side

1.2 : Top view of the cubicle

1.3 : Perspective rear view of cubicle left side

1.4 : Front elevated view of the cubicle

1.5 : Left lateral elevated view of cubicle

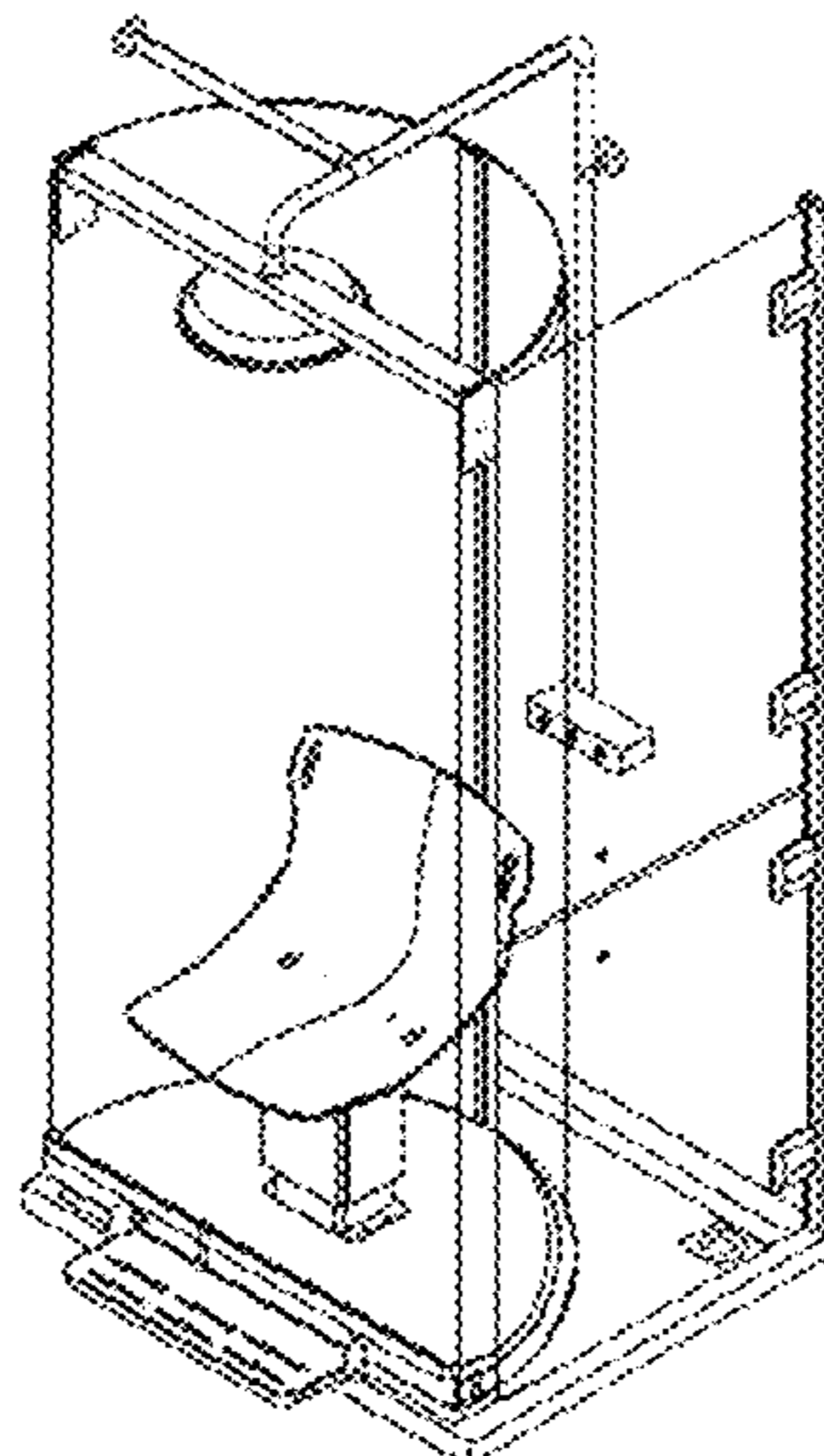
1.6 : Rear elevated view of the cubicle

1.7 : Bottom view of the cubicle

Shower cubicle with rotating cylinder for transporting persons with reduced mobility, whose cylinder occupies the front of the cubicle, accessing it through a double-leaf side door; the cylinder is mounted on a lower axle anchored to the floor that crosses the shower tray and its base, forming a cavity to house transmission elements, to allow the rotation of the cylinder of the lower axle and upper axle; at the rear, a vertical pipe protrudes from the controls and bends into a horizontal section that ends at the top of the cylinder for connecting to the shower.

The broken lines in the drawings illustrate portions of the shower cubicle and form no part of the claimed design.

1 Claim, 7 Drawing Sheets



(56)

References Cited

U.S. PATENT DOCUMENTS

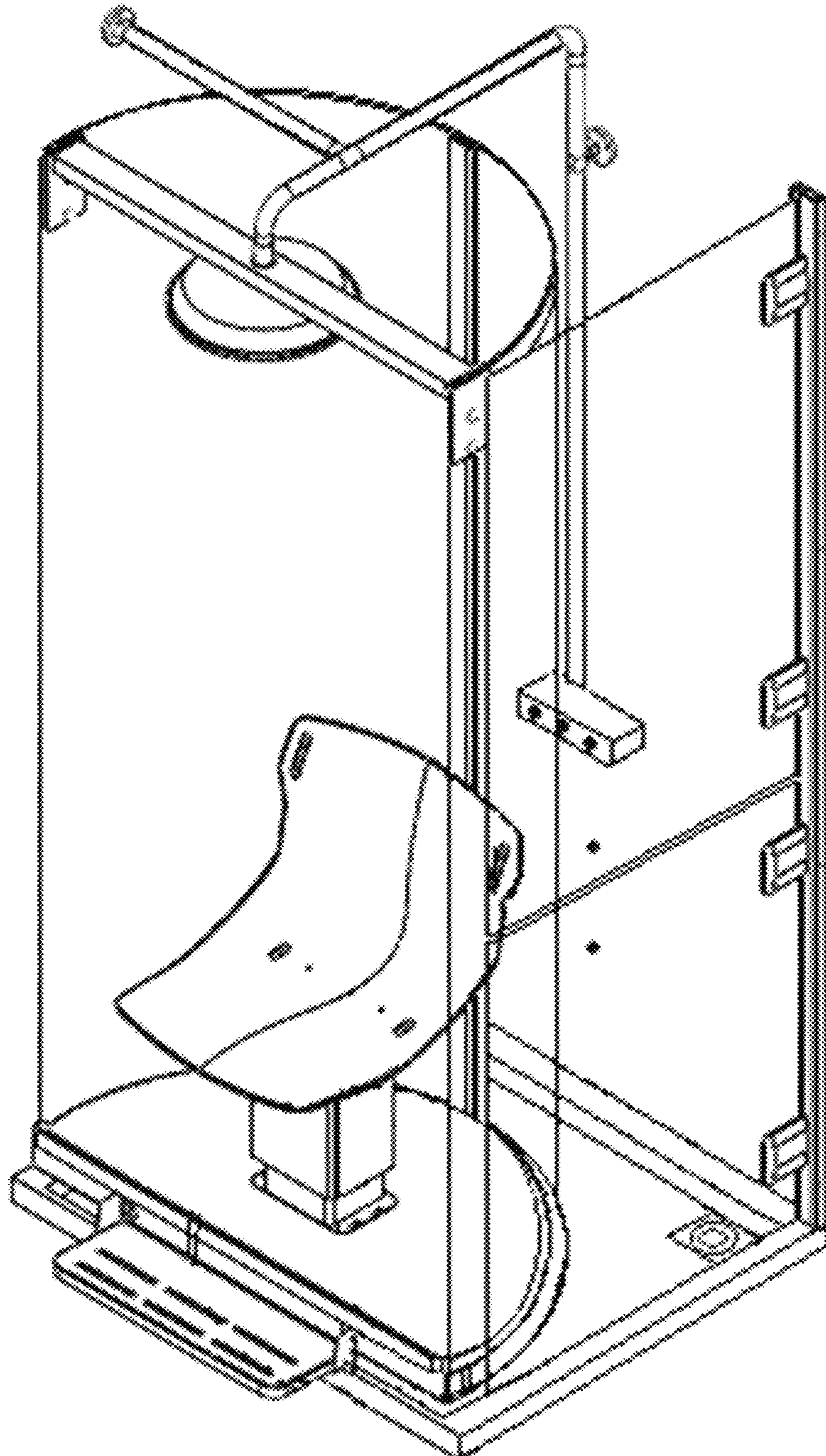
D665,891 S * 8/2012 Reedy D23/283
D666,703 S * 9/2012 Reedy D23/283
D865,922 S * 11/2019 Dufermont D23/283
D919,062 S * 5/2021 Dufermont D23/283

FOREIGN PATENT DOCUMENTS

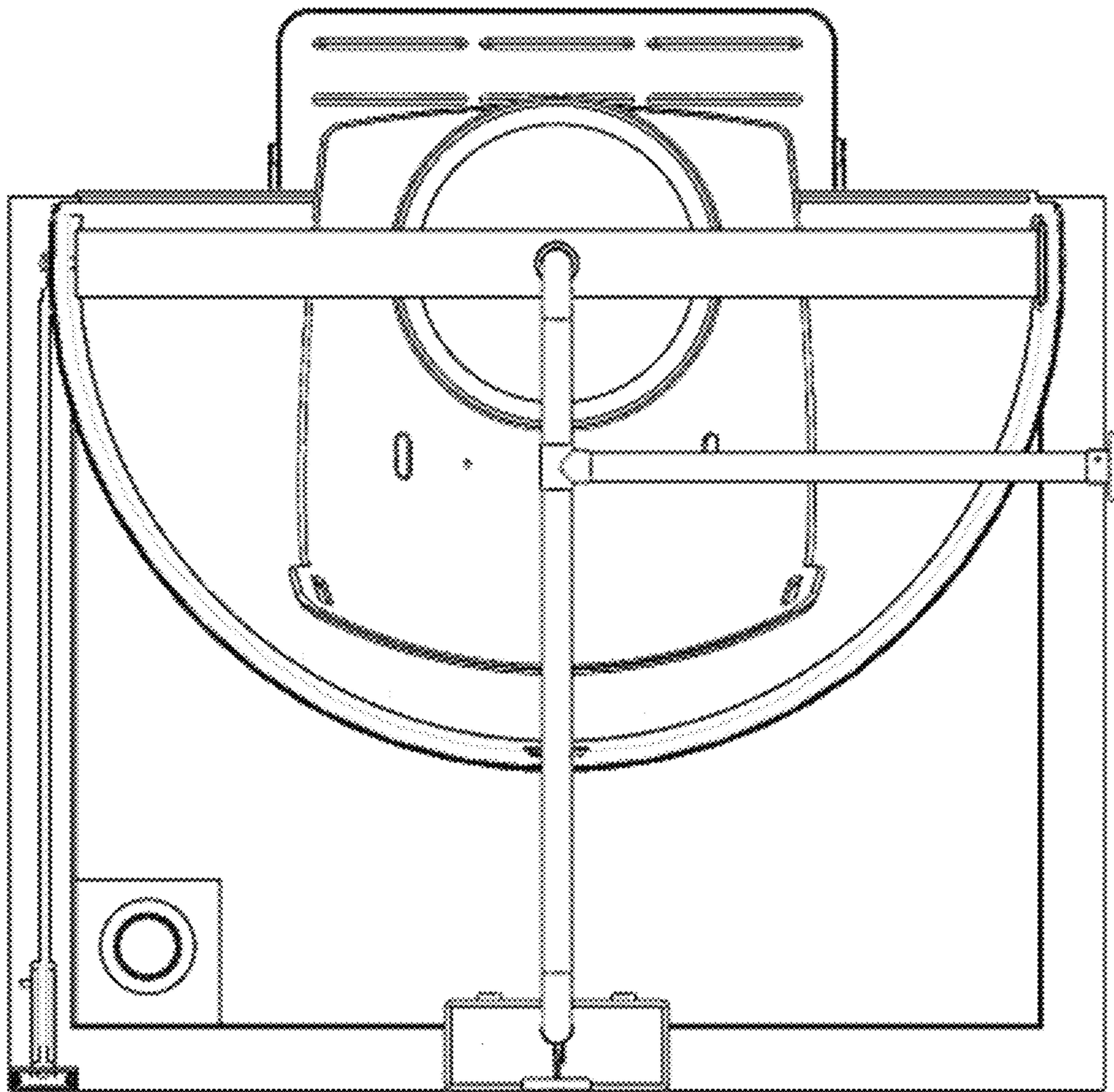
ES 2309556 T3 12/2008
WO 88/01843 A1 3/1988

* cited by examiner

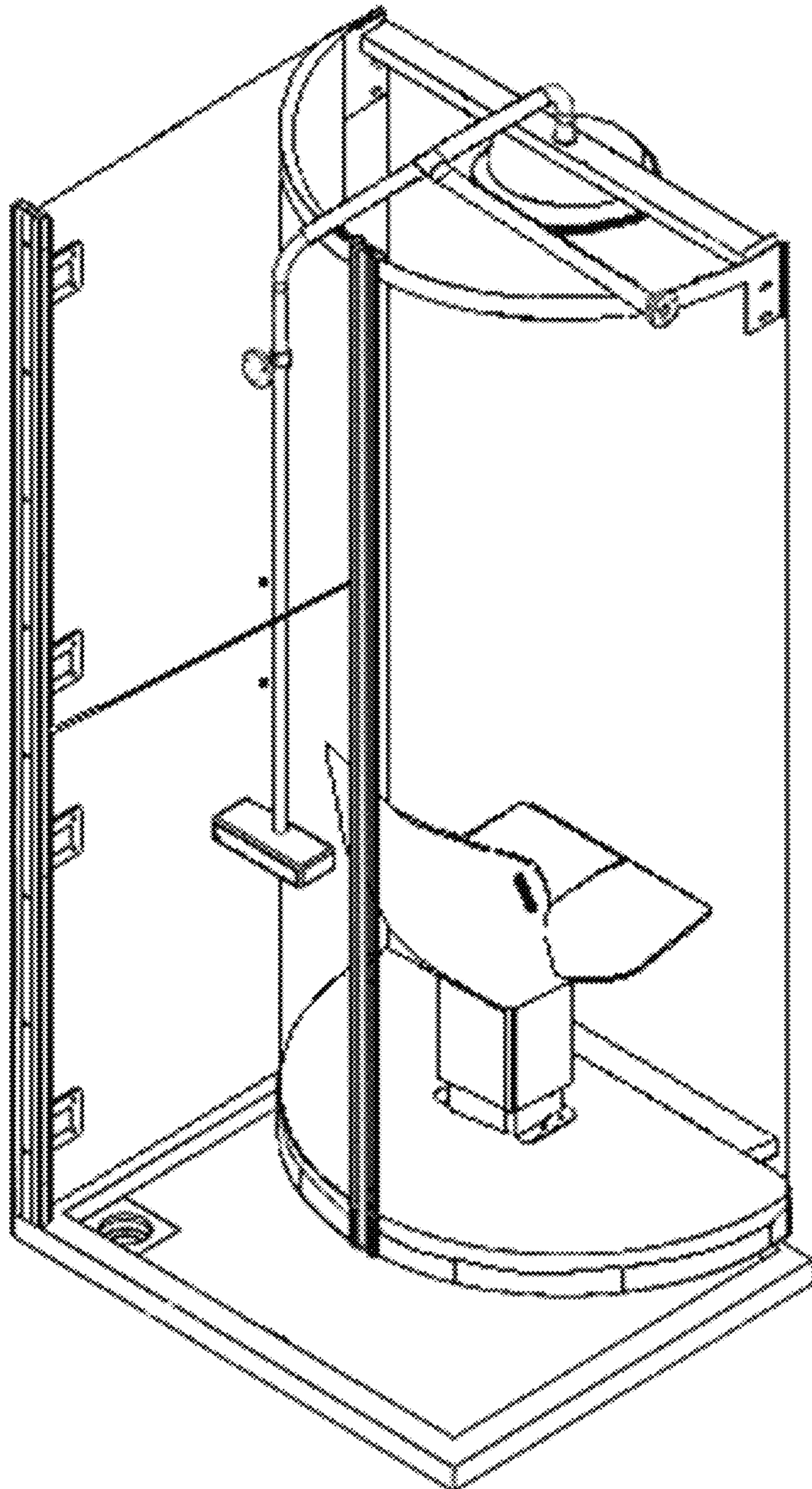
1.1



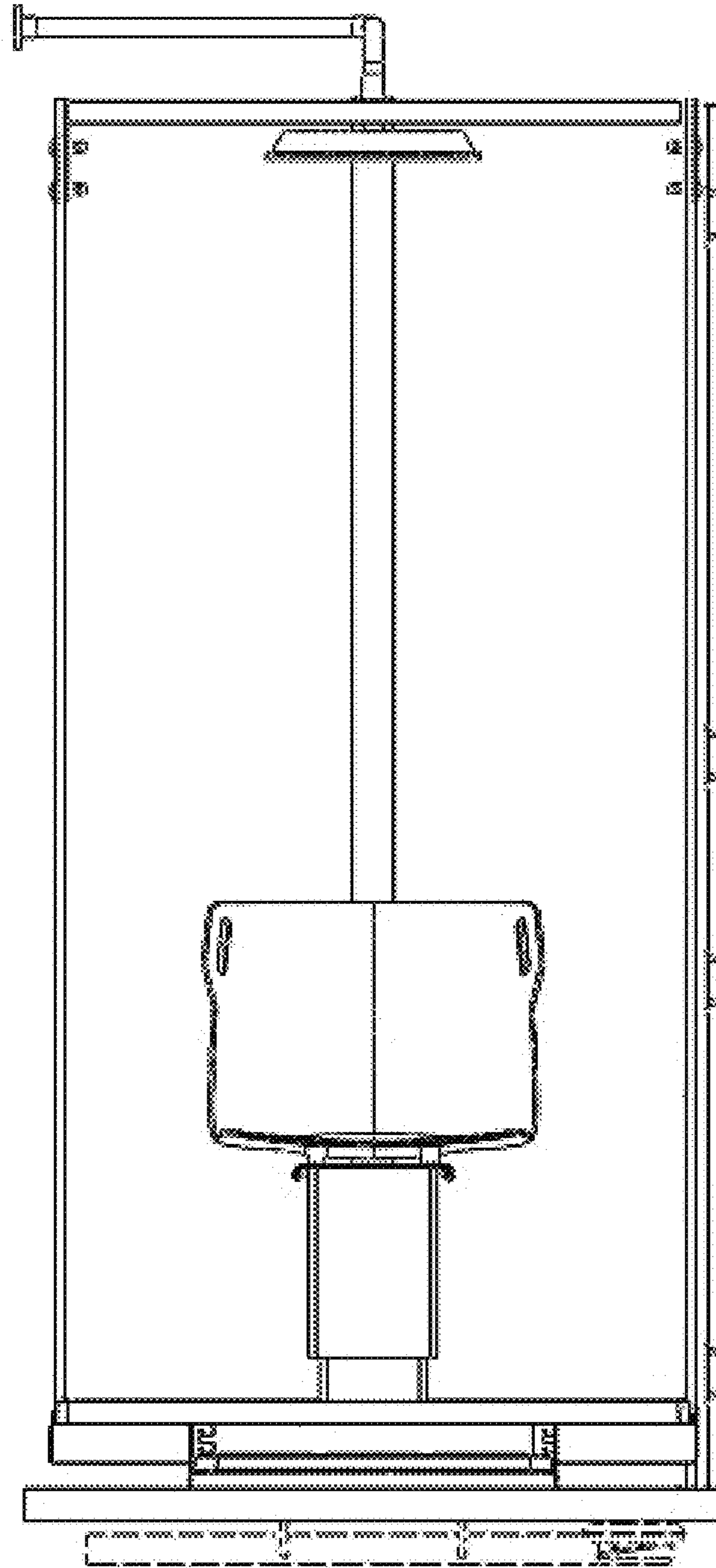
1.2



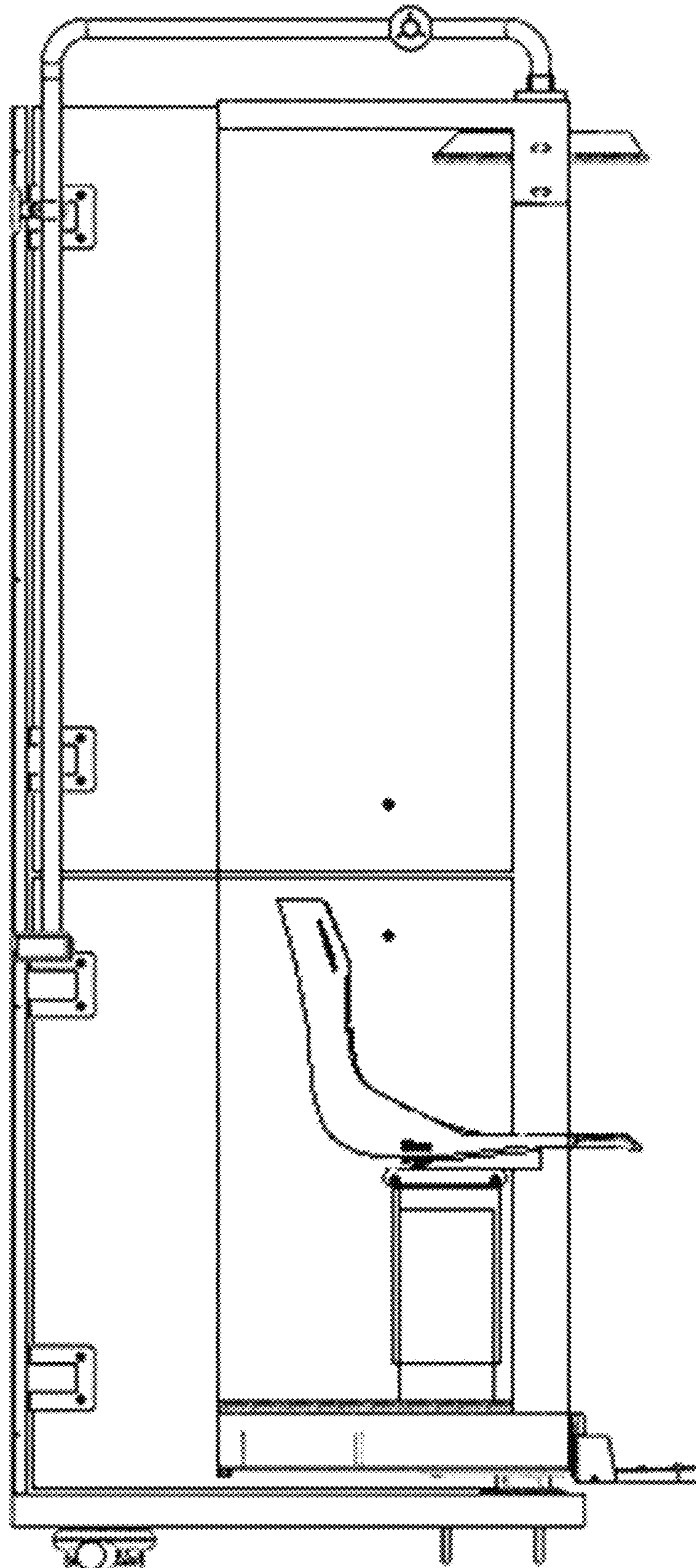
1.3



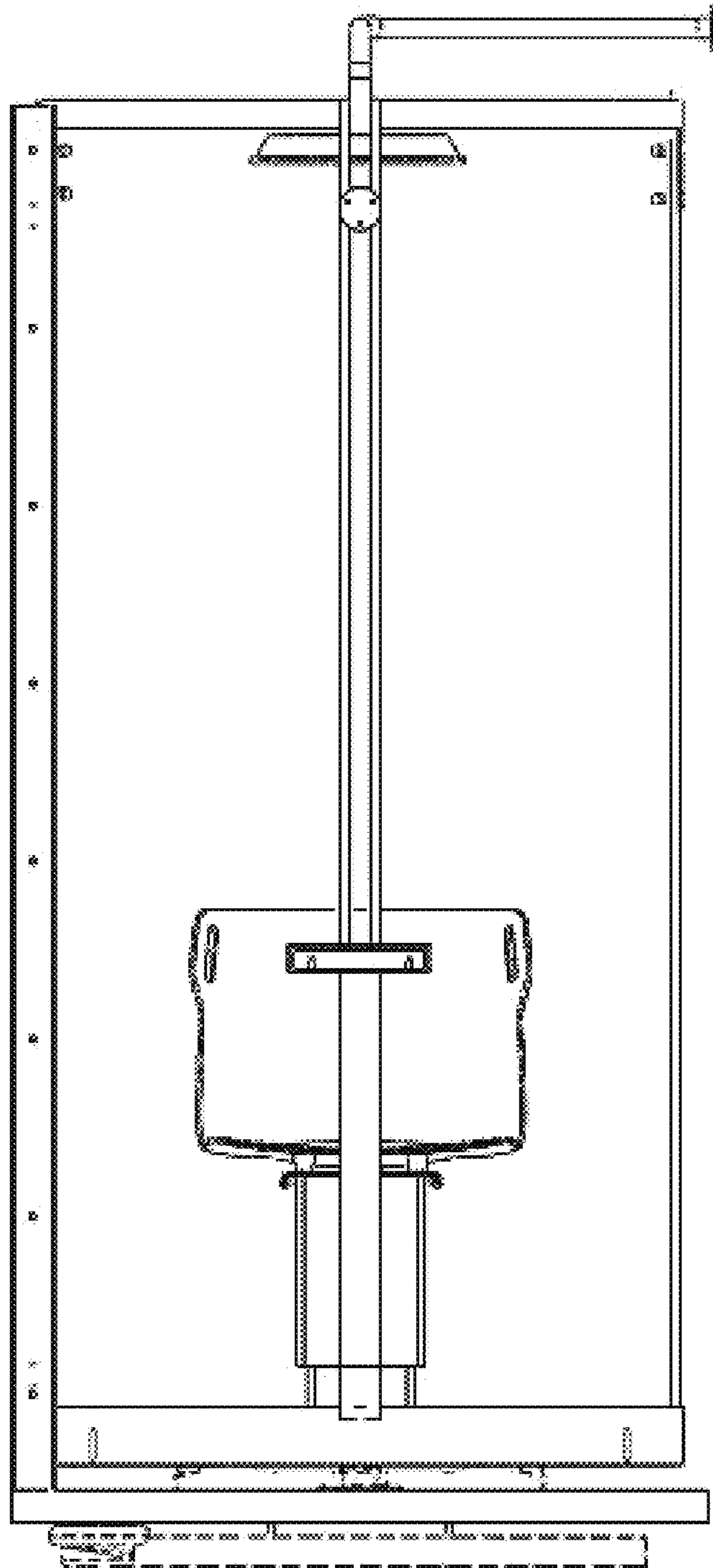
1.4



1.5



1.6



1.7

