

US00D946716S

(12) **United States Design Patent**
Bastian et al.

(10) **Patent No.:** **US D946,716 S**
(45) **Date of Patent:** **** Mar. 22, 2022**

- (54) **MECHANICAL COUPLER**
- (71) Applicant: **MCS Industries, Inc.**, Easton, PA (US)
- (72) Inventors: **Geoffrey William Bastian**, Wind Gap, PA (US); **Michael Lee Pyle**, Sugar Grove, IL (US); **Matthew Scott Kressin**, Allentown, PA (US); **Robert Terry Coyle, Jr.**, Palmer, PA (US)
- (73) Assignee: **MCS Industries, Inc.**
- (**) Term: **15 Years**
- (21) Appl. No.: **29/757,022**
- (22) Filed: **Nov. 2, 2020**

Related U.S. Application Data

- (60) Continuation of application No. 29/729,046, filed on Mar. 24, 2020, now Pat. No. Des. 904,168, which is a division of application No. 29/661,111, filed on Sep. 25, 2018, now Pat. No. Des. 882,384.
- (51) **LOC (13) Cl.** **23-01**
- (52) **U.S. Cl.**
USPC **D23/262**
- (58) **Field of Classification Search**
USPC D23/233, 235, 248, 249, 258, 259, 262, D23/266; D24/129; D6/300; D8/349, D8/82, 385, 387, 388, 391, 393, 382
CPC F16B 5/065; F16B 21/082; F16B 21/086; F16B 12/14; F16B 12/24; F16B 5/0657; F16B 19/1045; A61B 17/7233; A47B 47/025
See application file for complete search history.

(56) **References Cited**

U.S. PATENT DOCUMENTS

- 3,883,258 A * 5/1975 Hewson F16B 12/24 403/298
- 4,258,464 A 3/1981 Ullman, Jr.

- D333,178 S 2/1993 Novy
- 5,529,424 A 6/1996 Neubert
- D388,876 S 1/1998 Sampson
- 5,868,537 A 2/1999 Latal
- 6,176,662 B1 * 1/2001 Champney F16B 19/1045 411/171

(Continued)

FOREIGN PATENT DOCUMENTS

- DE 102007058662 A1 6/2009
- WO WO 2016/137385 A1 9/2016

(Continued)

OTHER PUBLICATIONS

Amazon.com. "C.H. Yates Rubber 3143-4 3" Bow Roller 1/2" Shaft" First reviewed Jan. 8, 2015. Retrieved Jul. 14, 2021. (<https://www.amazon.com/C-H-Yates-Rubber-3143-4-Roller/dp/B0040I3F7Y>) (Year: 2015).*

Primary Examiner — Susan E Krakower
Assistant Examiner — Jerry Shiuan-Hua Hsu
(74) *Attorney, Agent, or Firm* — Belles Katz LLC

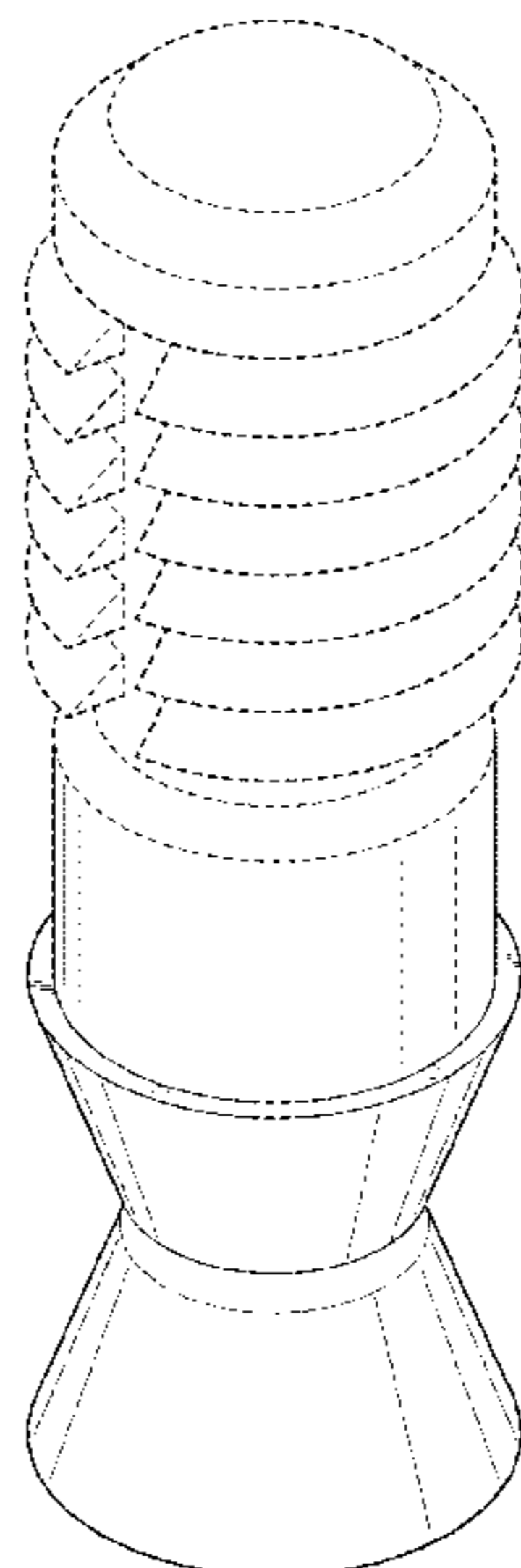
(57) **CLAIM**

The ornamental design for a mechanical coupler, as shown and described.

DESCRIPTION

FIG. 1 is a top perspective view of a mechanical coupler according to our new design;
FIG. 2 is a bottom perspective view thereof;
FIG. 3 is a front view thereof, the rear view being identical to the front view;
FIG. 4 is a right-side view thereof, the left-side view being identical to the right-side view;
FIG. 5 is a top view thereof; and,
FIG. 6 is a bottom view thereof.
The broken lines illustrate portions of the mechanical coupler that form no part of the claimed design.

1 Claim, 5 Drawing Sheets



(56)

References Cited

U.S. PATENT DOCUMENTS

6,904,835 B2 6/2005 Dugan
 D625,977 S 10/2010 Watson
 D703,513 S 4/2014 Mistyurik
 D733,265 S 6/2015 Eriksen
 D763,662 S 8/2016 Ezell
 9,414,675 B2 8/2016 Koelling et al.
 9,447,804 B2 9/2016 Andersson et al.
 D774,628 S 12/2016 Provenzano et al.
 9,534,623 B2 1/2017 Andersson et al.
 9,677,589 B2 6/2017 Koelling
 9,771,964 B2 9/2017 Leveen et al.
 9,810,253 B2 11/2017 Koelling et al.
 D820,073 S * 6/2018 Iacono D8/382
 D835,244 S 12/2018 Khubani
 10,211,608 B2 2/2019 Weeks
 D846,367 S 4/2019 Romero, Jr.
 D853,535 S 7/2019 Norton
 D859,134 S 9/2019 Iacono
 D865,917 S 11/2019 Naber
 D882,384 S * 4/2020 Bastian D8/382
 D885,171 S * 5/2020 Koelling A47B 47/025
 D8/382
 10,648,498 B2 5/2020 Sjostedt
 D891,235 S * 7/2020 Liebelt D8/382
 D904,168 S * 12/2020 Bastian D8/349
 D905,831 S * 12/2020 Provenzano D23/262
 D933,172 S * 10/2021 Garcia Blanco D23/262
 2004/0083583 A1 * 5/2004 Bradley F16B 5/0657
 24/297
 2007/0025811 A1 2/2007 Wilhelm
 2009/0058078 A1 3/2009 Knudson
 2011/0085853 A1 4/2011 Liu
 2011/0117355 A1 * 5/2011 Selle F16B 12/20
 428/223

2011/0204622 A1 8/2011 Lewis
 2011/0255915 A1 10/2011 Chen
 2012/0089197 A1 * 4/2012 Anderson A61B 17/7233
 606/310
 2012/0137624 A1 6/2012 Sibbett
 2012/0301217 A1 11/2012 Liu
 2013/0239509 A1 9/2013 Wang
 2014/0169912 A1 * 6/2014 Sutterluetti F16B 12/14
 411/389
 2015/0050081 A1 2/2015 Andersson et al.
 2015/0147113 A1 5/2015 Crabtree, II
 2015/0219136 A1 8/2015 Koelling
 2015/0219137 A1 * 8/2015 Koelling F16B 21/082
 29/453
 2015/0260325 A1 9/2015 Quick
 2015/0285284 A1 10/2015 Koelling et al.
 2015/0300393 A1 10/2015 Leveen et al.
 2015/0308538 A1 * 10/2015 Morris F16F 15/08
 403/282
 2015/0342349 A1 12/2015 Koelling et al.
 2017/0023043 A1 1/2017 Koelling et al.
 2017/0247060 A1 * 8/2017 Jarvis F16B 21/086
 2017/0297271 A1 10/2017 Dizdar et al.
 2018/0017091 A1 1/2018 Schon
 2018/0031019 A1 2/2018 Sjostedt et al.
 2018/0051734 A1 2/2018 Koelling et al.
 2018/0098627 A1 4/2018 Savage
 2018/0135799 A1 5/2018 Dang
 2018/0328617 A1 11/2018 Naber
 2020/0224697 A1 * 7/2020 Liebelt F16B 5/065

FOREIGN PATENT DOCUMENTS

WO WO 2017/105324 A1 6/2017
 WO WO 2017/160202 A1 9/2017

* cited by examiner

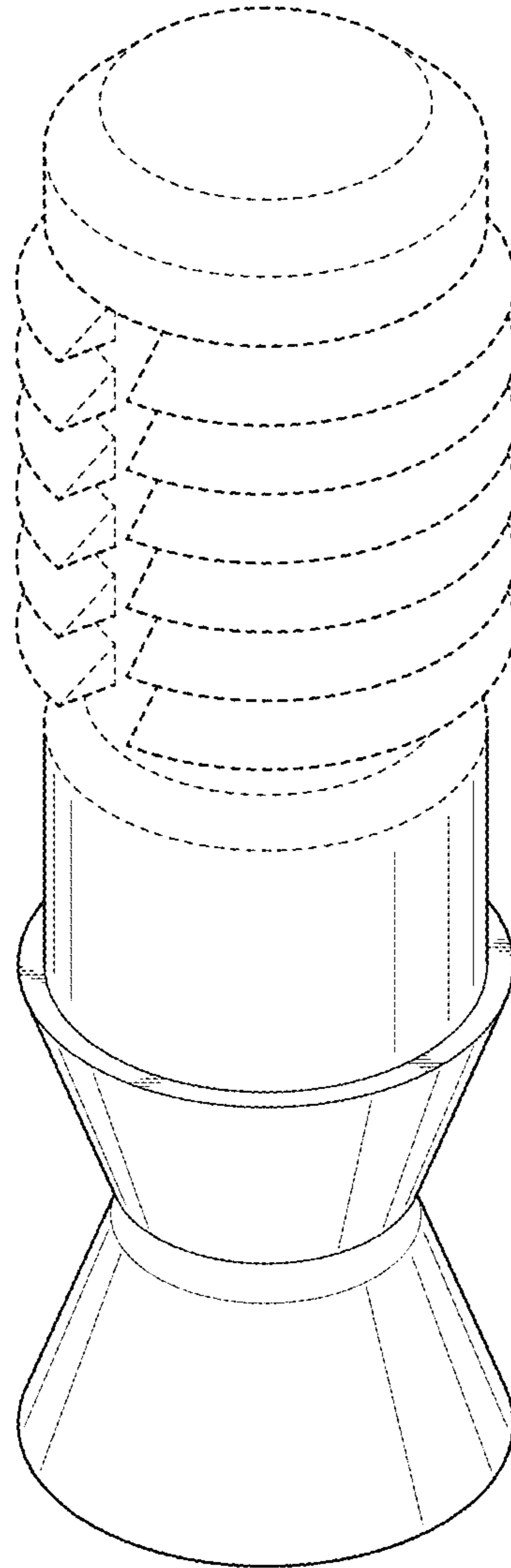


FIG. 1

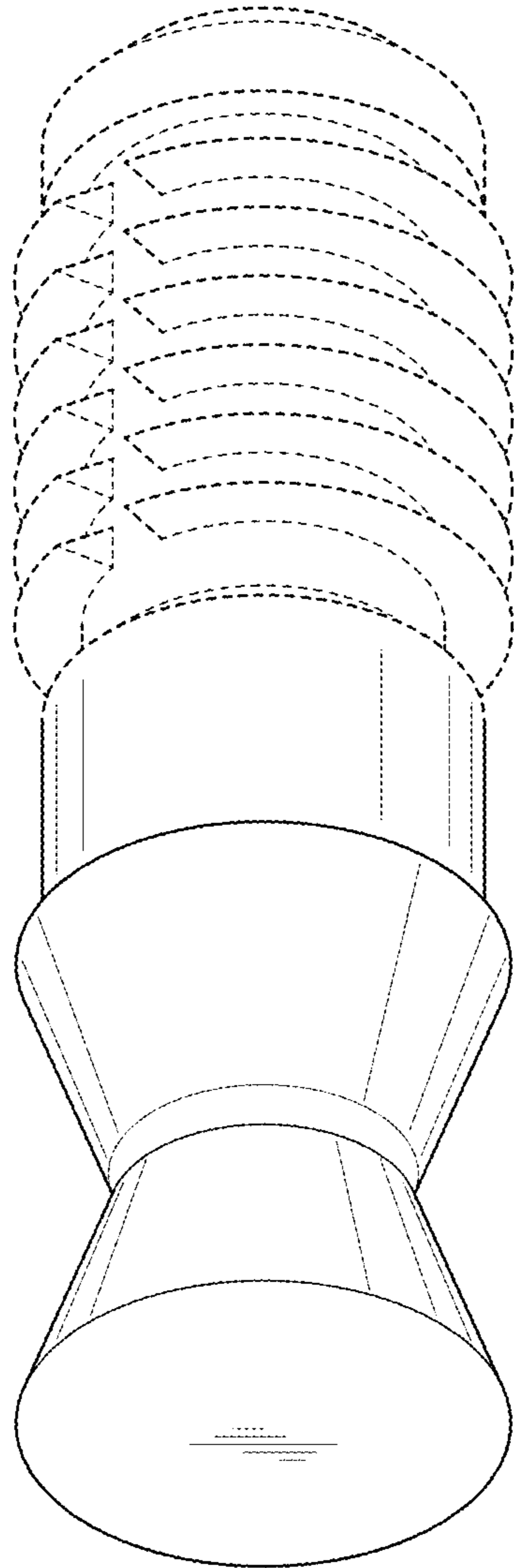


FIG. 2

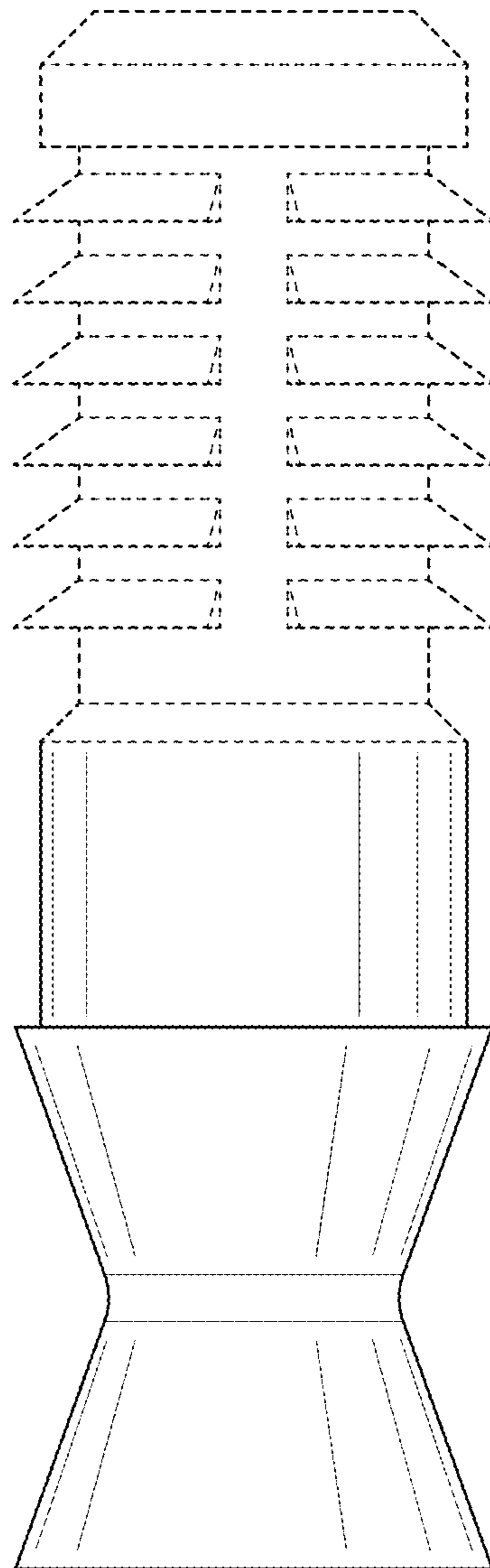


FIG. 3

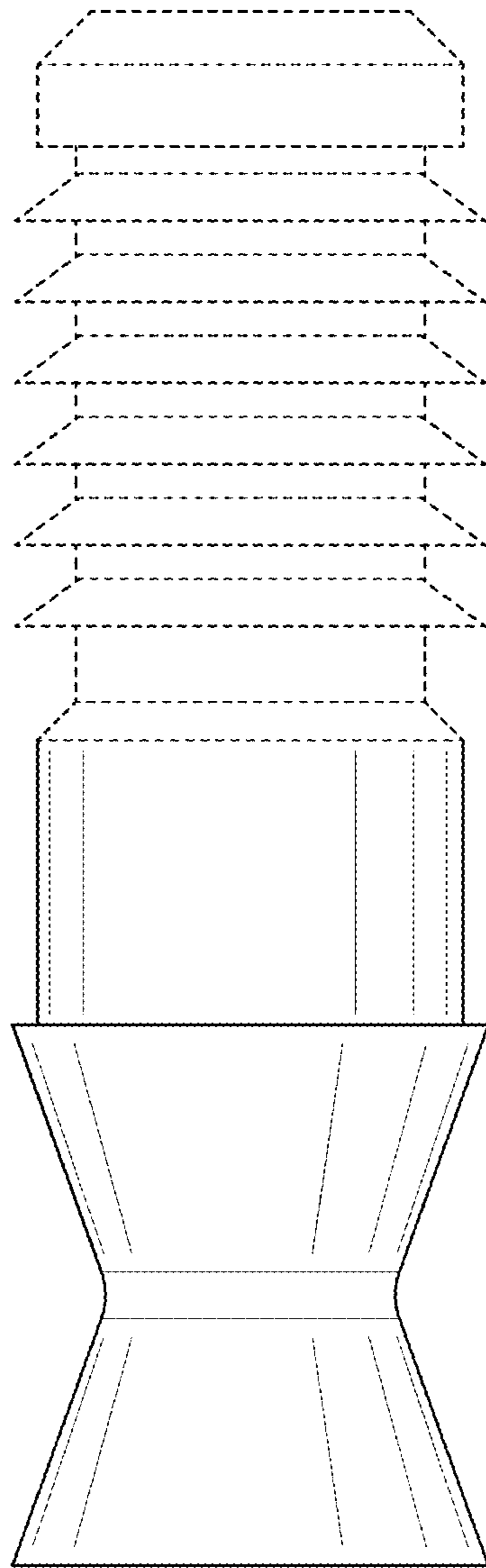


FIG. 4

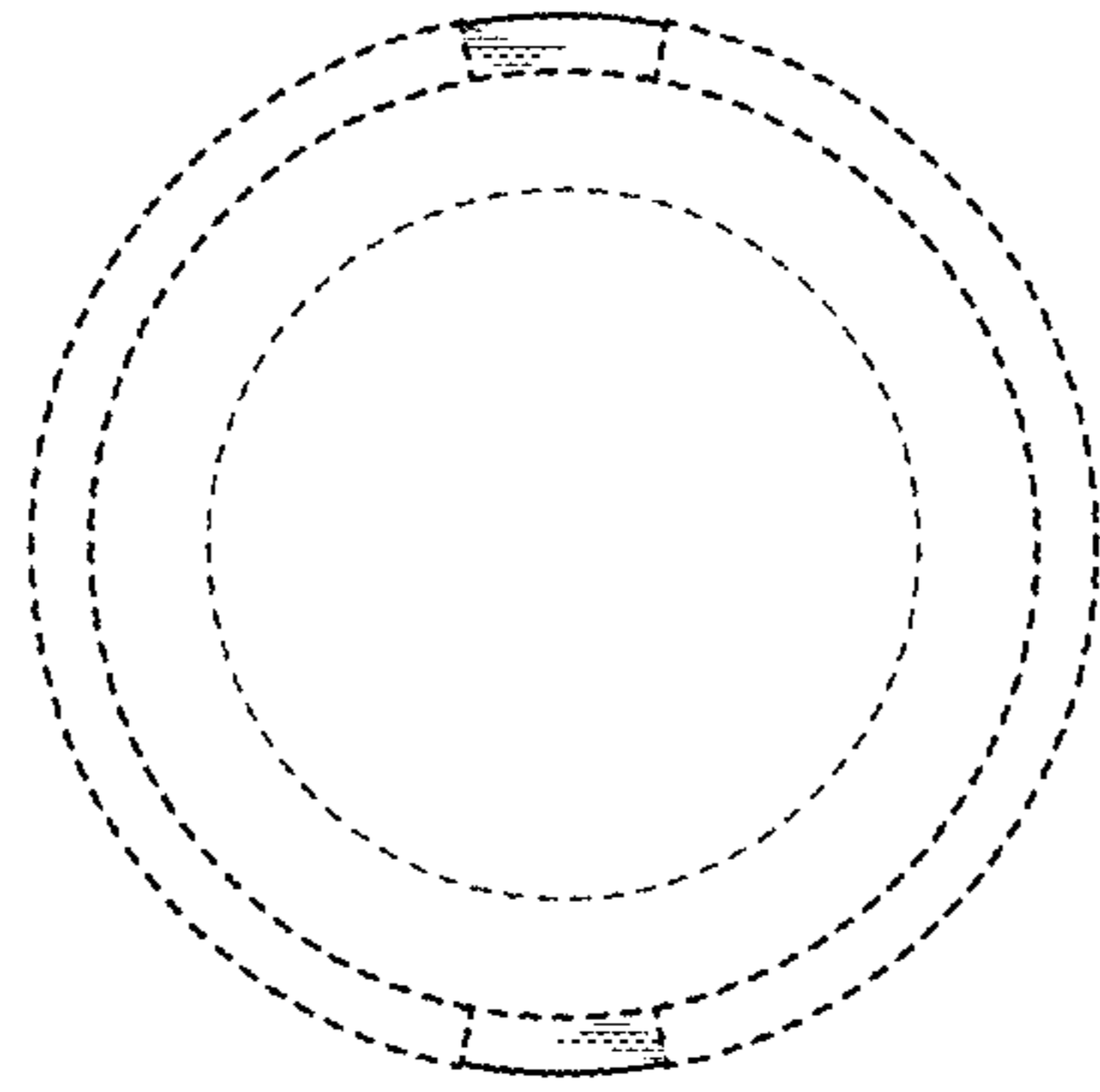


FIG. 5

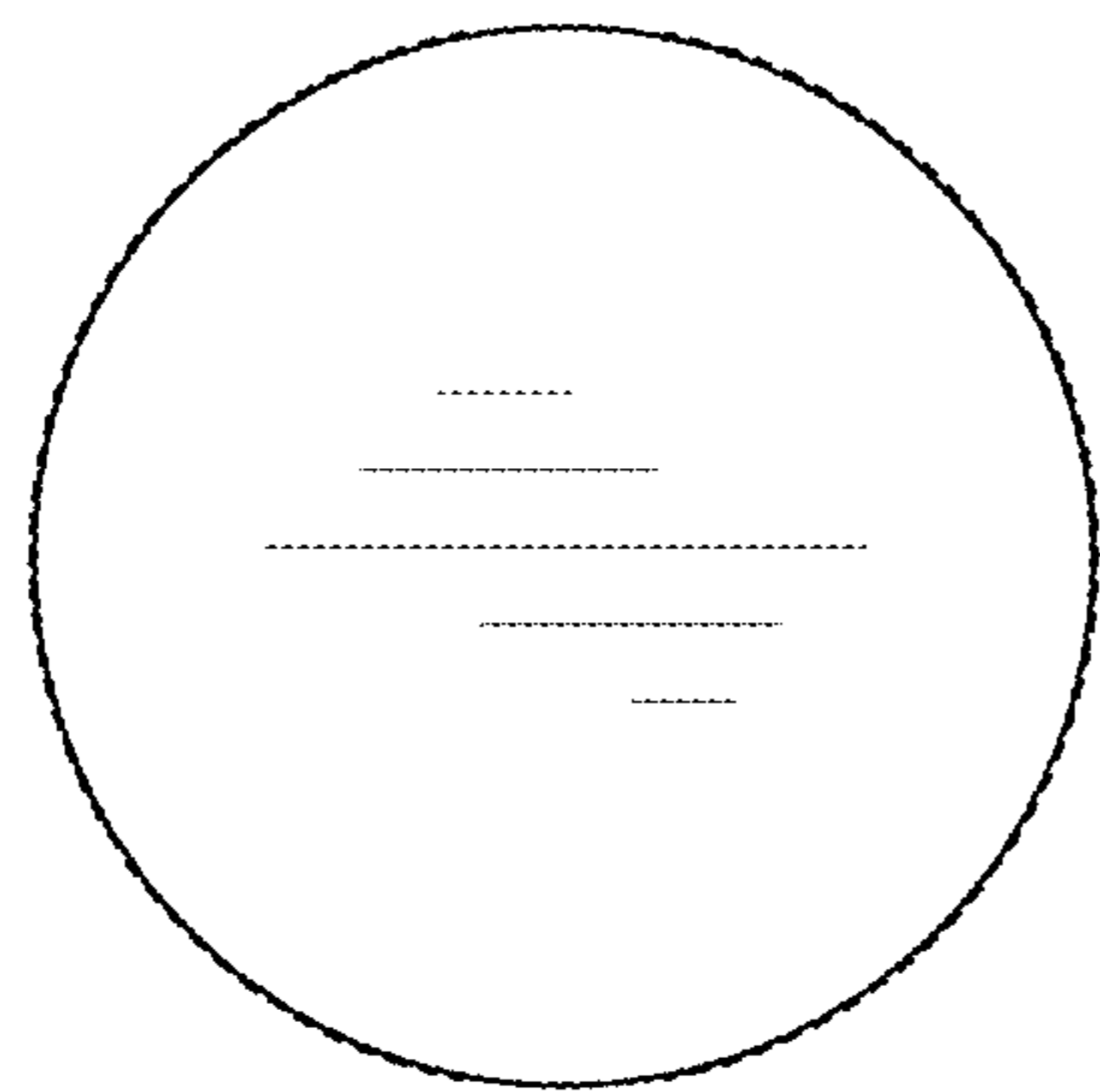


FIG. 6