



US00D946715S

(12) **United States Design Patent**
Liao

(10) **Patent No.:** **US D946,715 S**
(45) **Date of Patent:** **** Mar. 22, 2022**

(54) **FAUCET HANDLE**

- (71) Applicant: **DELTA FAUCET COMPANY**,
Indianapolis, IN (US)
- (72) Inventor: **Song Qing Liao**, Guangzhou (CN)
- (73) Assignee: **DELTA FAUCET COMPANY**,
Indianapolis, IN (US)
- (**) Term: **15 Years**
- (21) Appl. No.: **29/750,104**
- (22) Filed: **Sep. 11, 2020**
- (51) **LOC (13) Cl.** **23-01**
- (52) **U.S. Cl.**
USPC **D23/252**
- (58) **Field of Classification Search**
USPC D23/241–243, 252, 254; D8/307–308
See application file for complete search history.

(56) **References Cited**

U.S. PATENT DOCUMENTS

D873,965 S *	1/2020	Lazarini	D23/241
D878,523 S *	3/2020	Lazarini	D23/252
D907,745 S *	1/2021	Staler	D23/252
D933,165 S *	10/2021	Elser	D23/242

OTHER PUBLICATIONS

Delta Pierce 8 in. Widespread 2-Handle Bathroom Faucet: <https://www.homedepot.com/p/Delta-Pierce-8-in-Widespread-2-Handle-Bathroom-Faucet-in-Chrome-35899LF/312734944?source=shoppingads&locale=en-US> (Year: 2020).*

* cited by examiner

Primary Examiner — Robert A Delehanty

(74) *Attorney, Agent, or Firm* — Nirav D. Parikh; Edgar A. Zarins

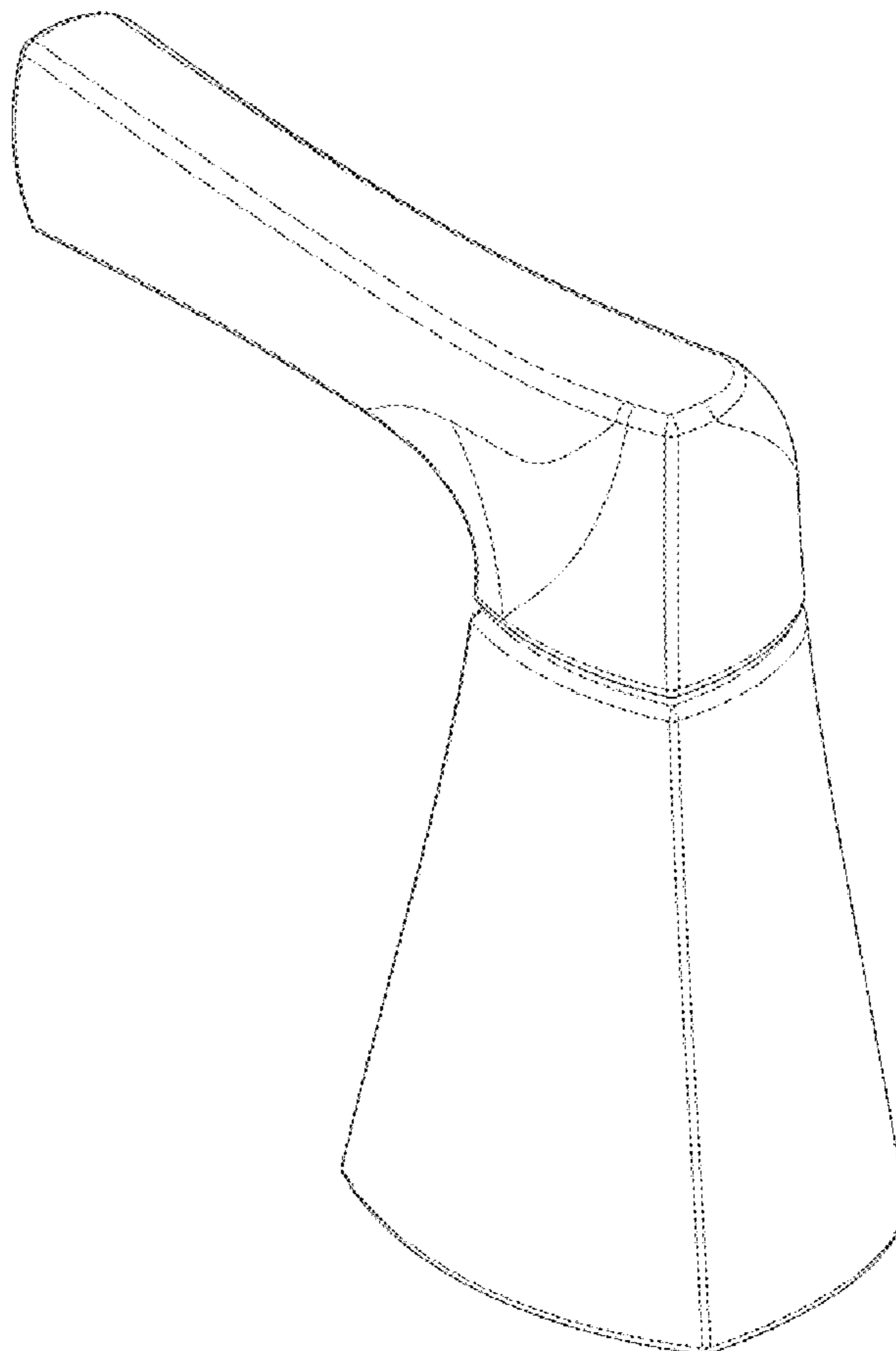
(57) **CLAIM**

The ornamental design for a faucet handle, as shown and described.

DESCRIPTION

FIG. 1 is a front perspective view of a faucet handle showing my new design;
FIG. 2 is a rear perspective view thereof;
FIG. 3 is a front elevational view thereof;
FIG. 4 is a left side view thereof;
FIG. 5 is a rear view thereof;
FIG. 6 is a right side view thereof;
FIG. 7 is a top plan view thereof; and,
FIG. 8 is a bottom view thereof.

1 Claim, 4 Drawing Sheets



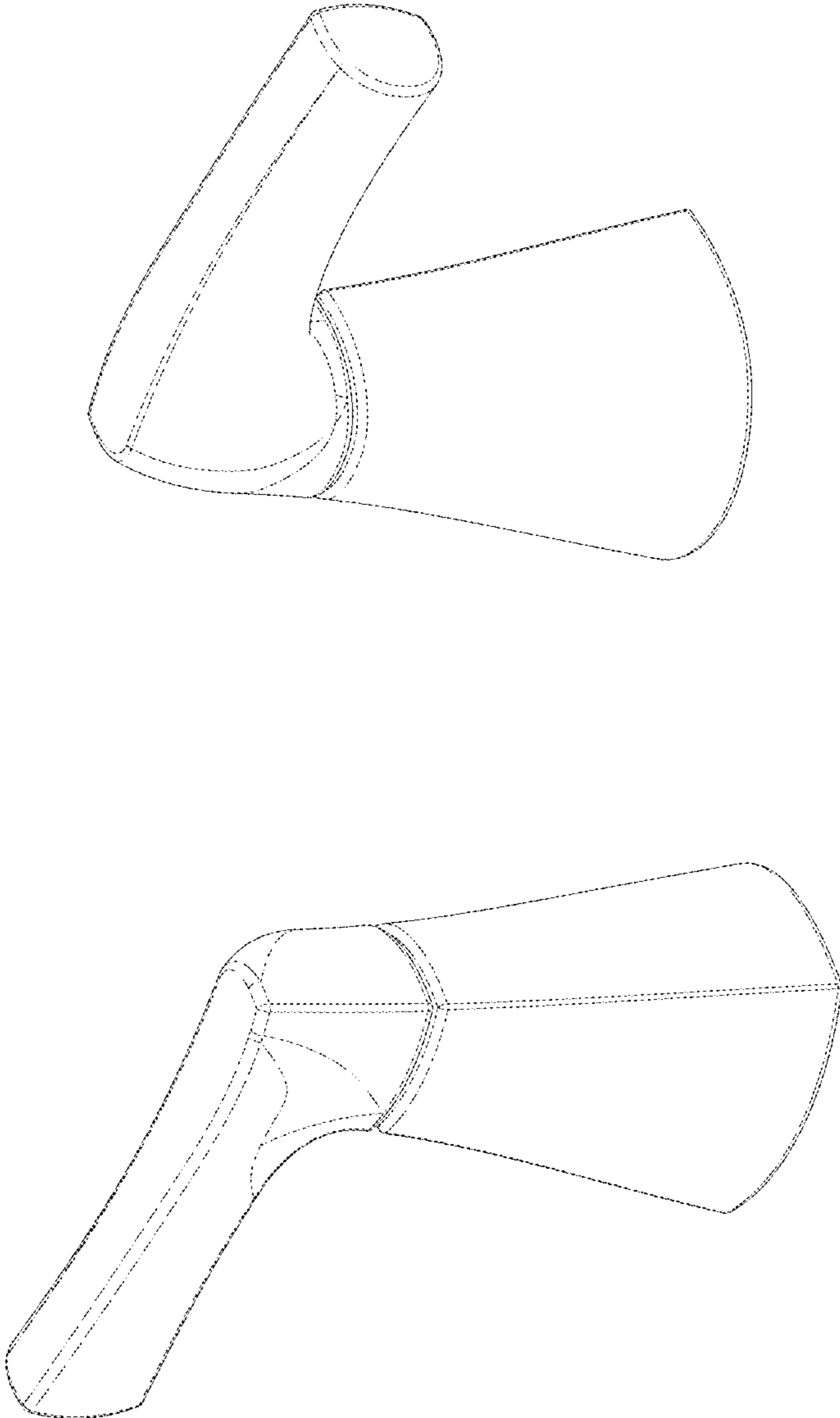


FIG - 2

FIG - 1

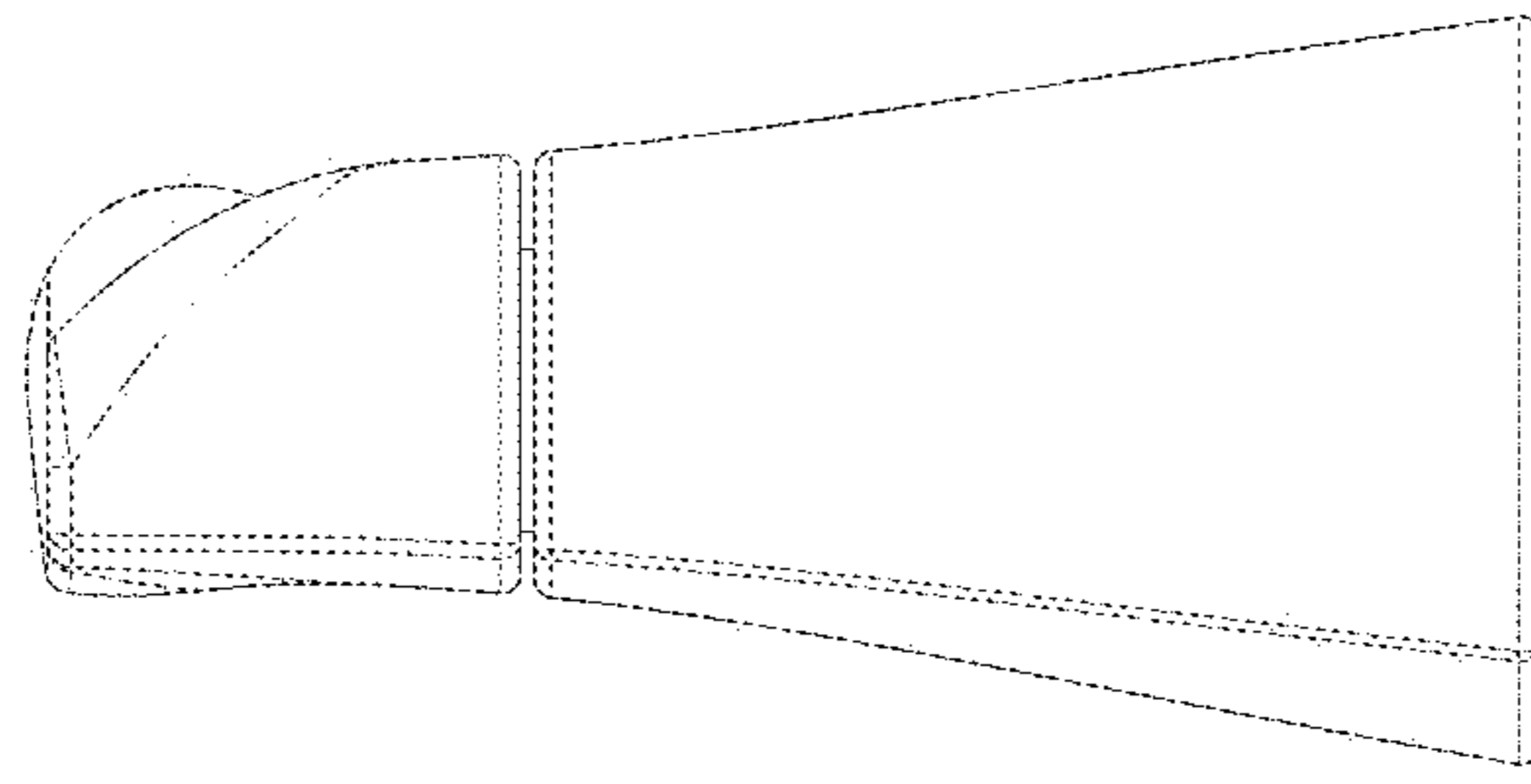


FIG - 4

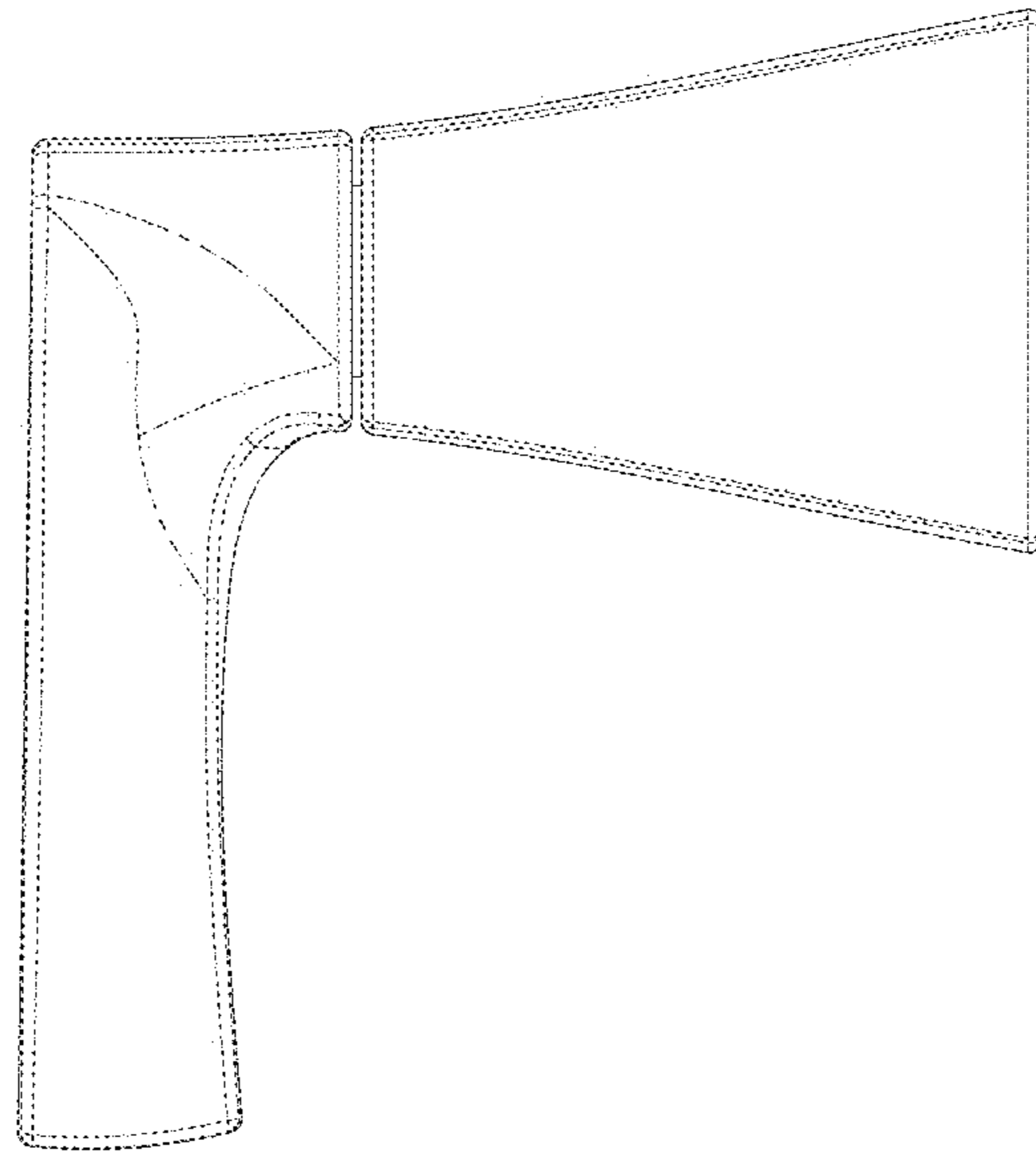


FIG - 3

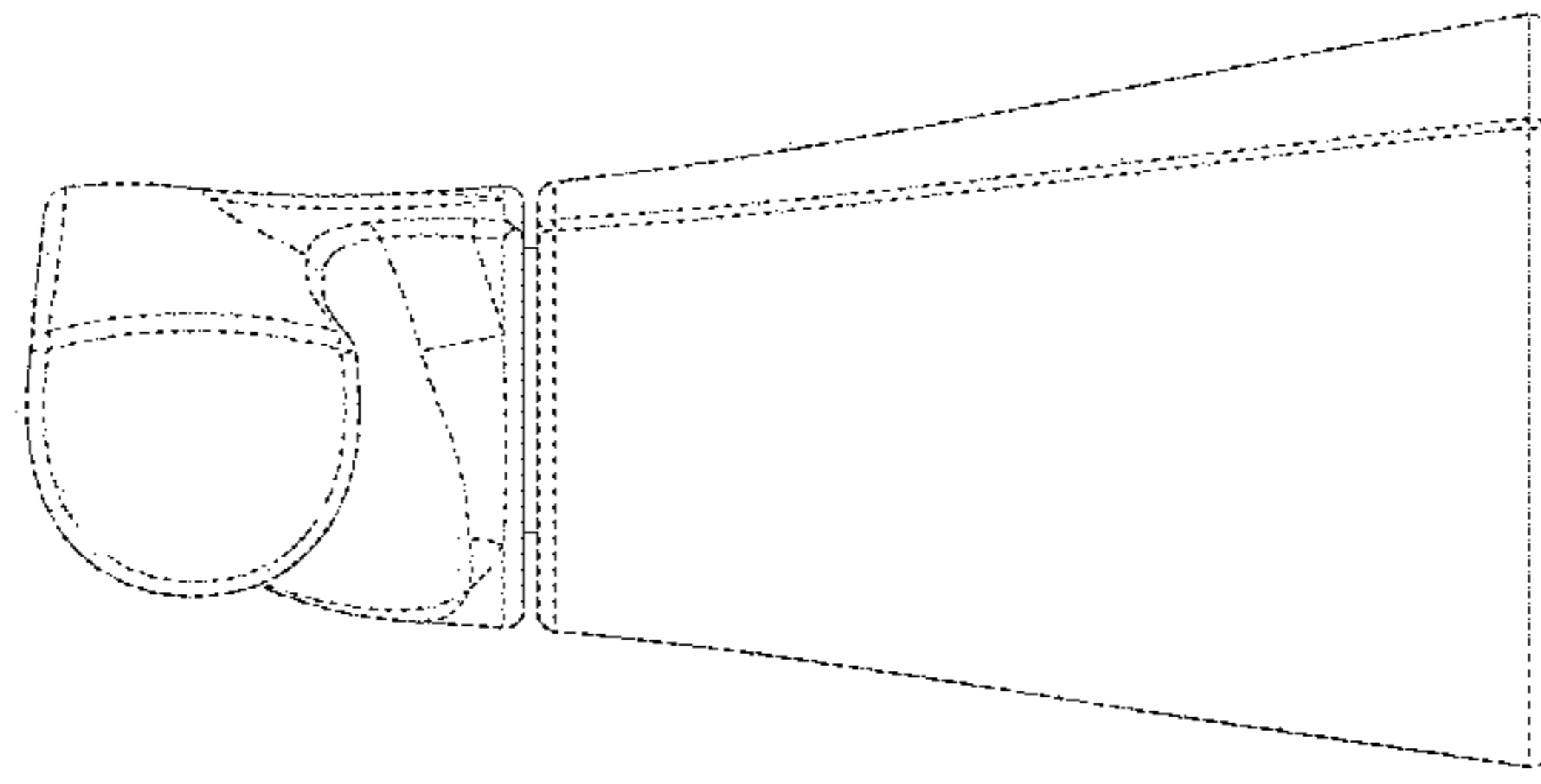


FIG - 6

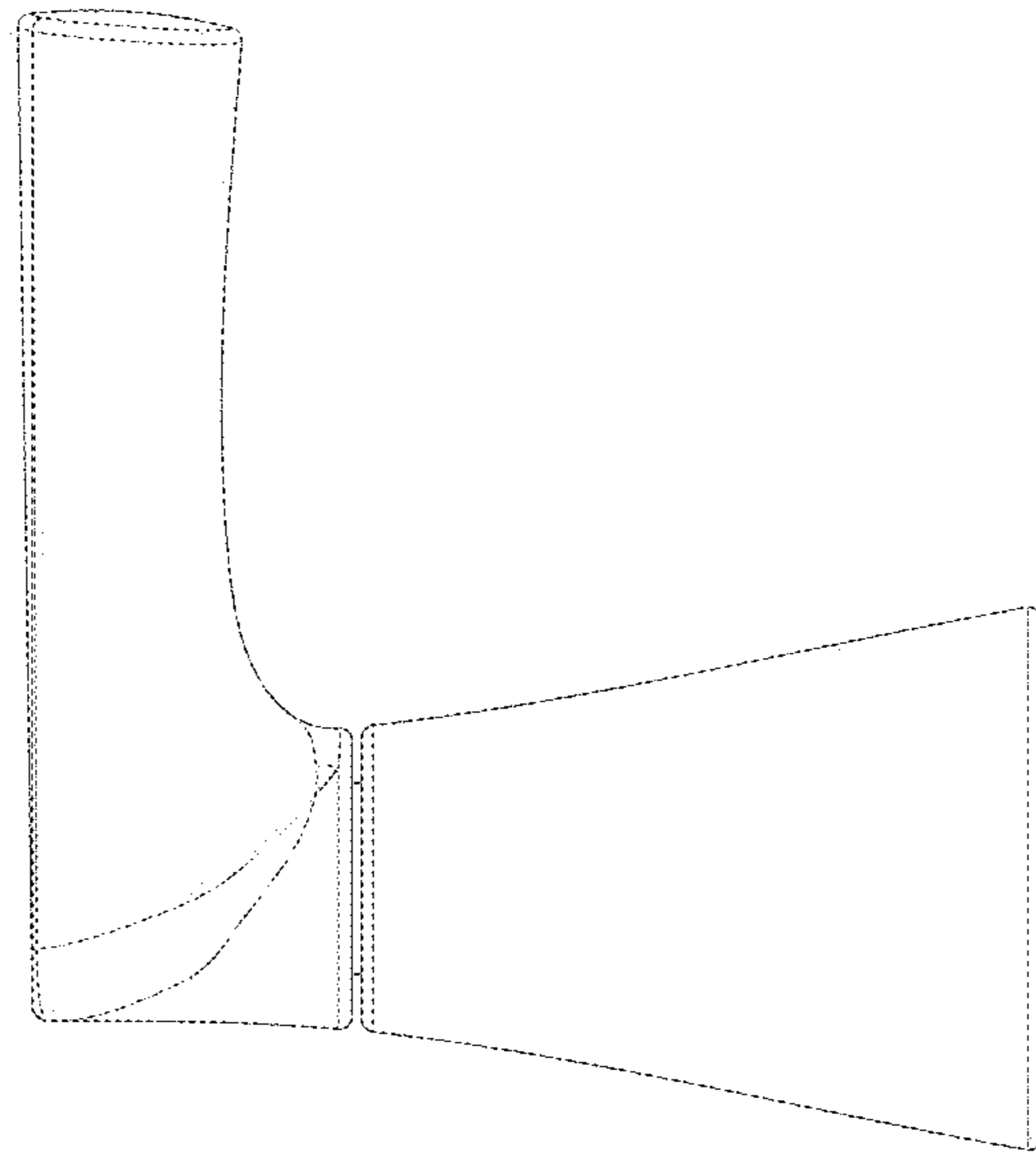


FIG - 5

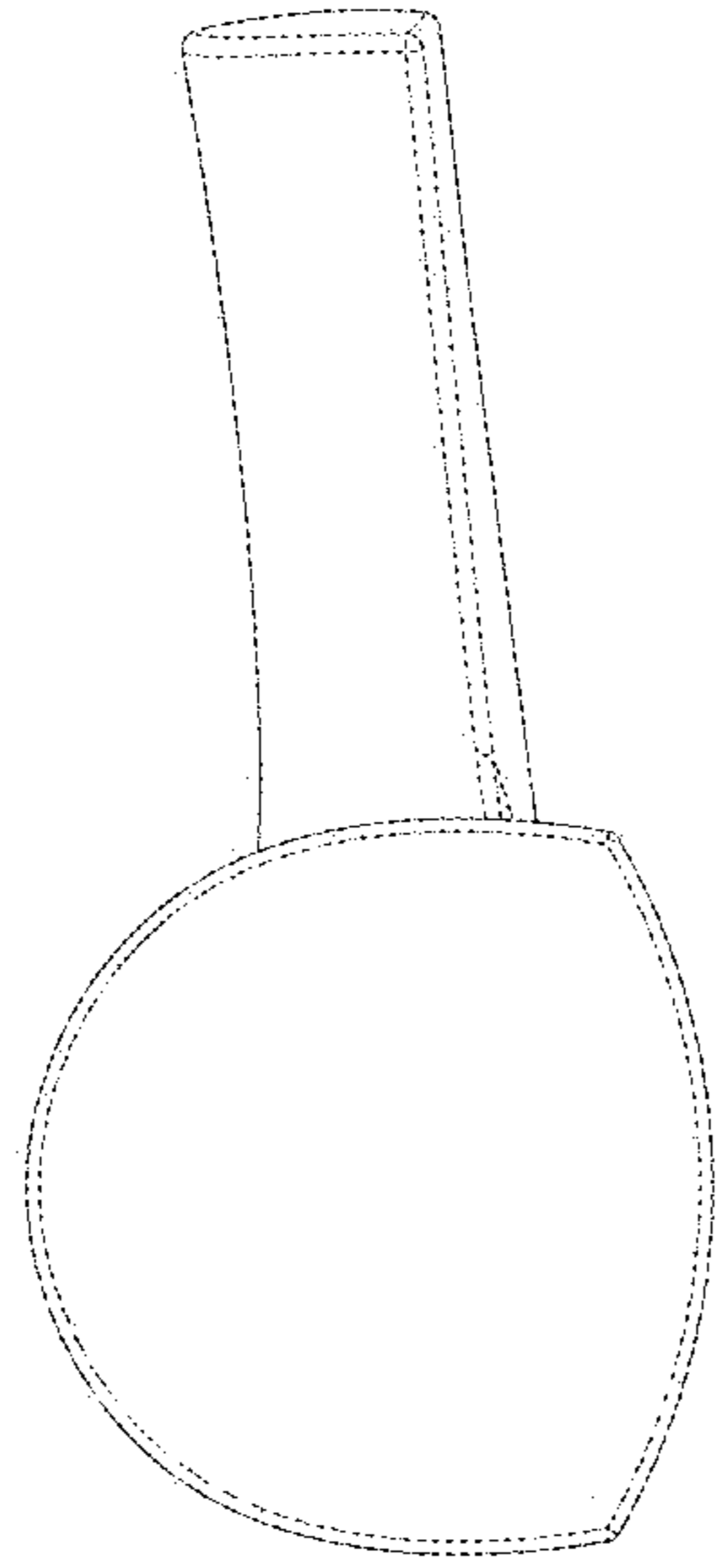


FIG - 8

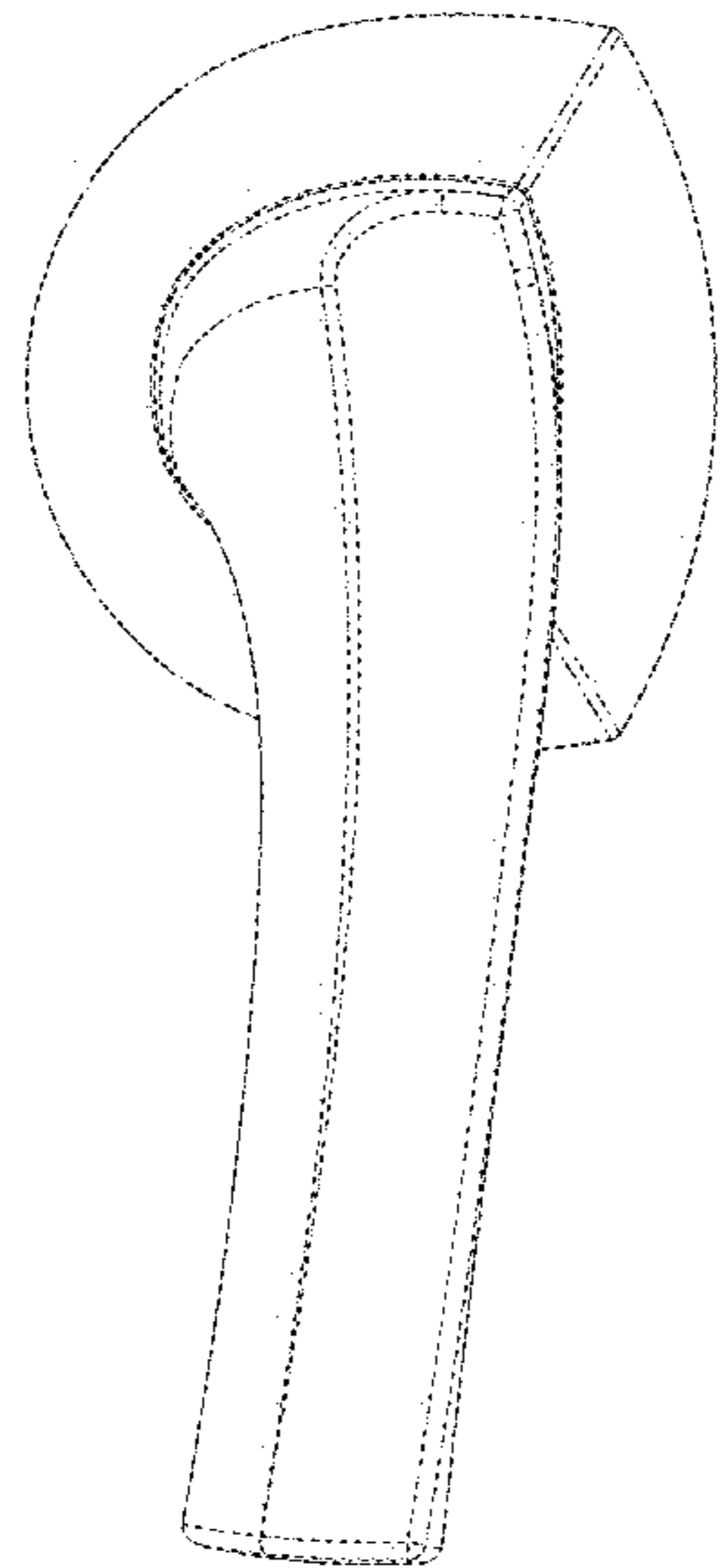


FIG - 7