

US00D946714S

(12) **United States Design Patent**  
**Upadhyaya et al.**

(10) **Patent No.:** **US D946,714 S**  
(45) **Date of Patent:** **\*\* Mar. 22, 2022**

(54) **FAUCET HANDLE**

*Primary Examiner* — Robert A Delehanty

(71) Applicant: **DELTA FAUCET COMPANY,**  
Indianapolis, IN (US)

(74) *Attorney, Agent, or Firm* — Nirav D. Parikh; Edgar  
A. Zarins

(72) Inventors: **Alexandra Upadhyaya,** Midlothian, VA  
(US); **Song Qing Liao,** Guangzhou  
(CN)

(73) Assignee: **DELTA FAUCET COMPANY,**  
Indianapolis, IN (US)

(57) **CLAIM**

The ornamental design for a faucet handle, as shown and  
described.

(\*\*) Term: **15 Years**

(21) Appl. No.: **29/748,313**

(22) Filed: **Aug. 28, 2020**

**DESCRIPTION**

(51) **LOC (13) Cl.** ..... **23-01**

FIG. 1 is a front perspective view of a faucet handle showing  
our new design;

(52) **U.S. Cl.**

USPC ..... **D23/252**

FIG. 2 is a rear perspective view thereof;

(58) **Field of Classification Search**

USPC ..... D23/241–243, 252, 254; D8/307–308

See application file for complete search history.

FIG. 3 is a front elevational view thereof;

FIG. 4 is a left side view thereof;

FIG. 5 is a rear view thereof;

FIG. 6 is a right side view thereof;

FIG. 7 is a top plan view thereof; and,

FIG. 8 is a bottom view thereof.

(56) **References Cited**

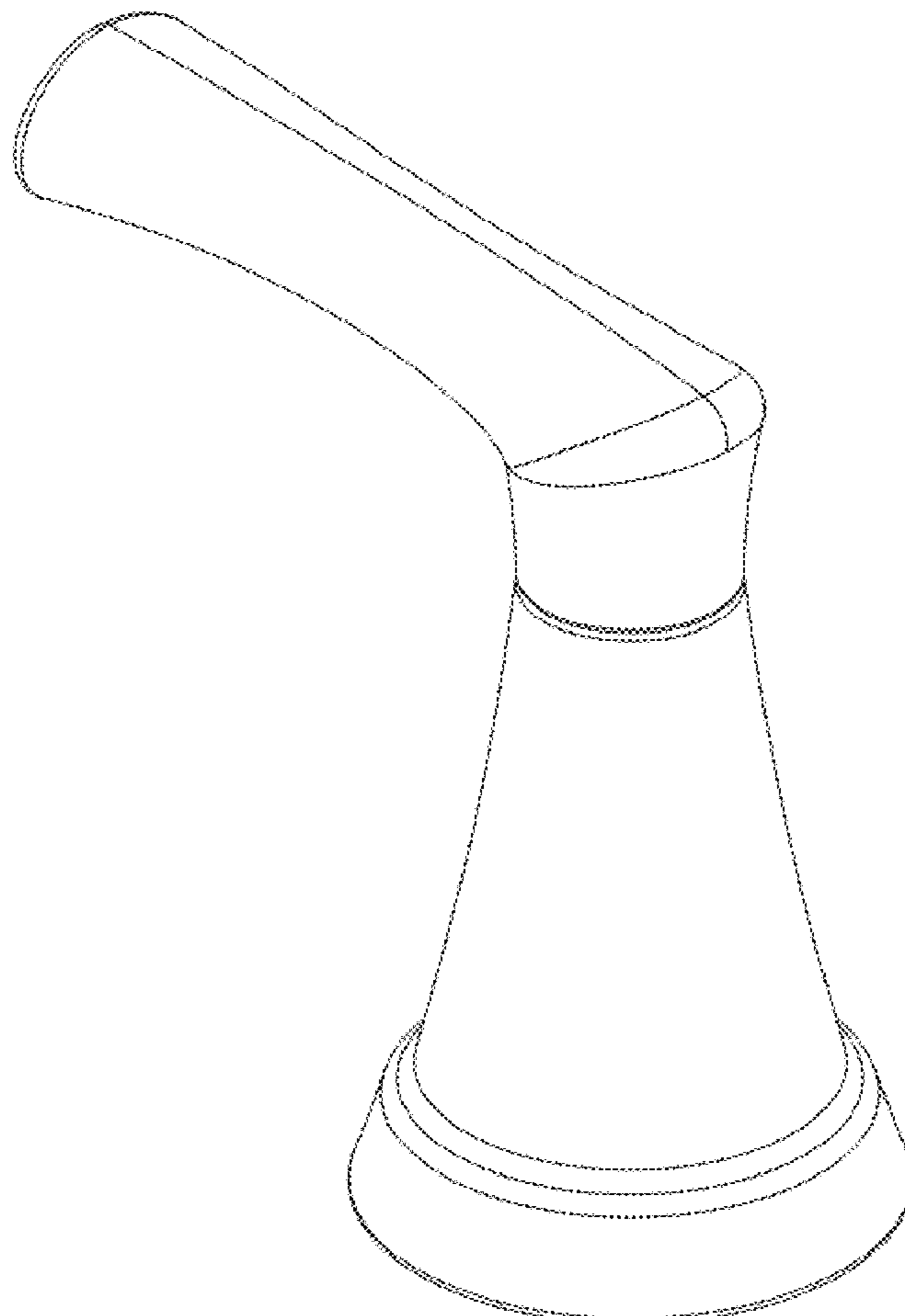
**U.S. PATENT DOCUMENTS**

D913,425 S \* 3/2021 Eads ..... D23/238

D918,345 S \* 5/2021 Stoler ..... D23/252

\* cited by examiner

**1 Claim, 4 Drawing Sheets**



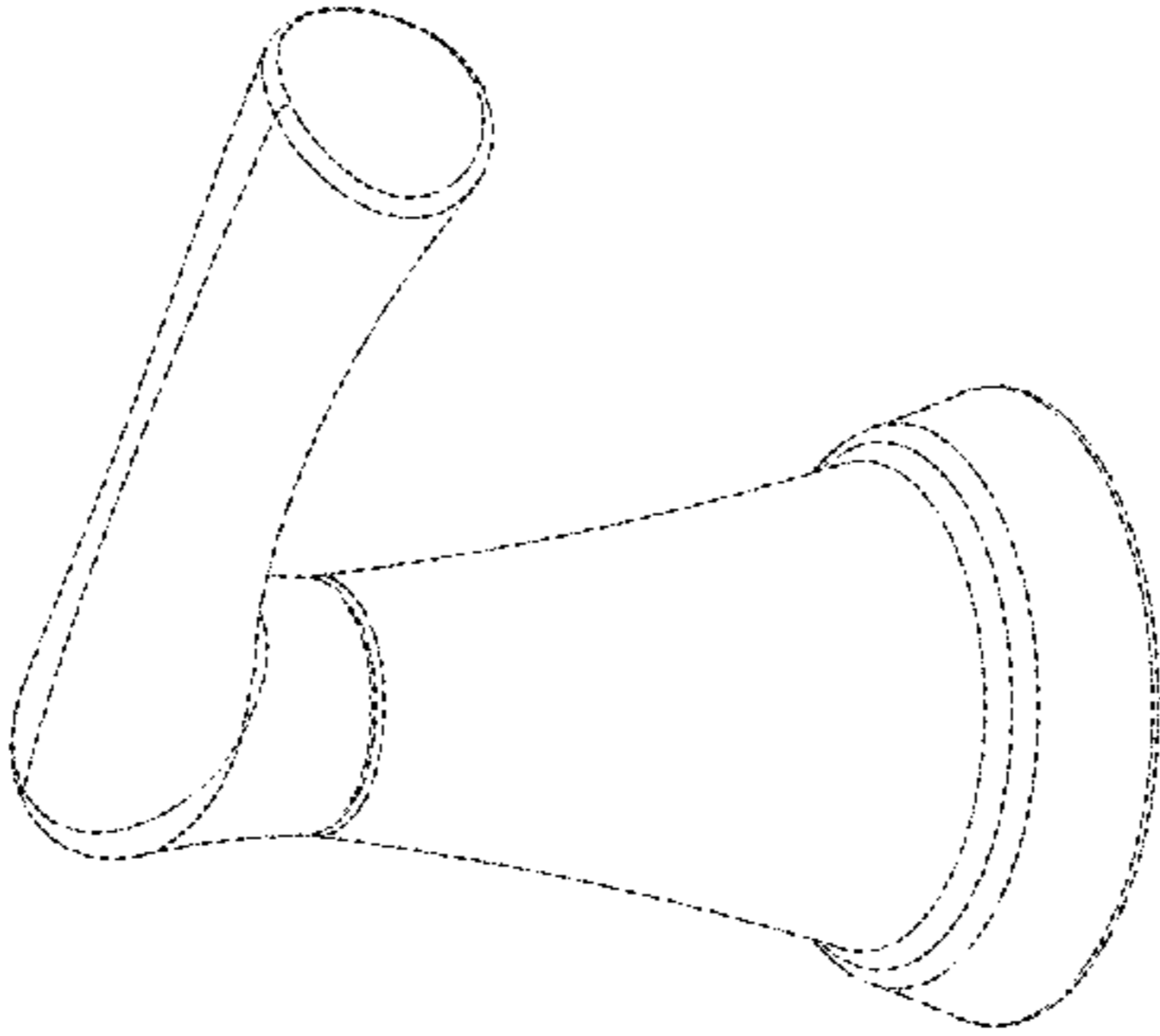


FIG - 2

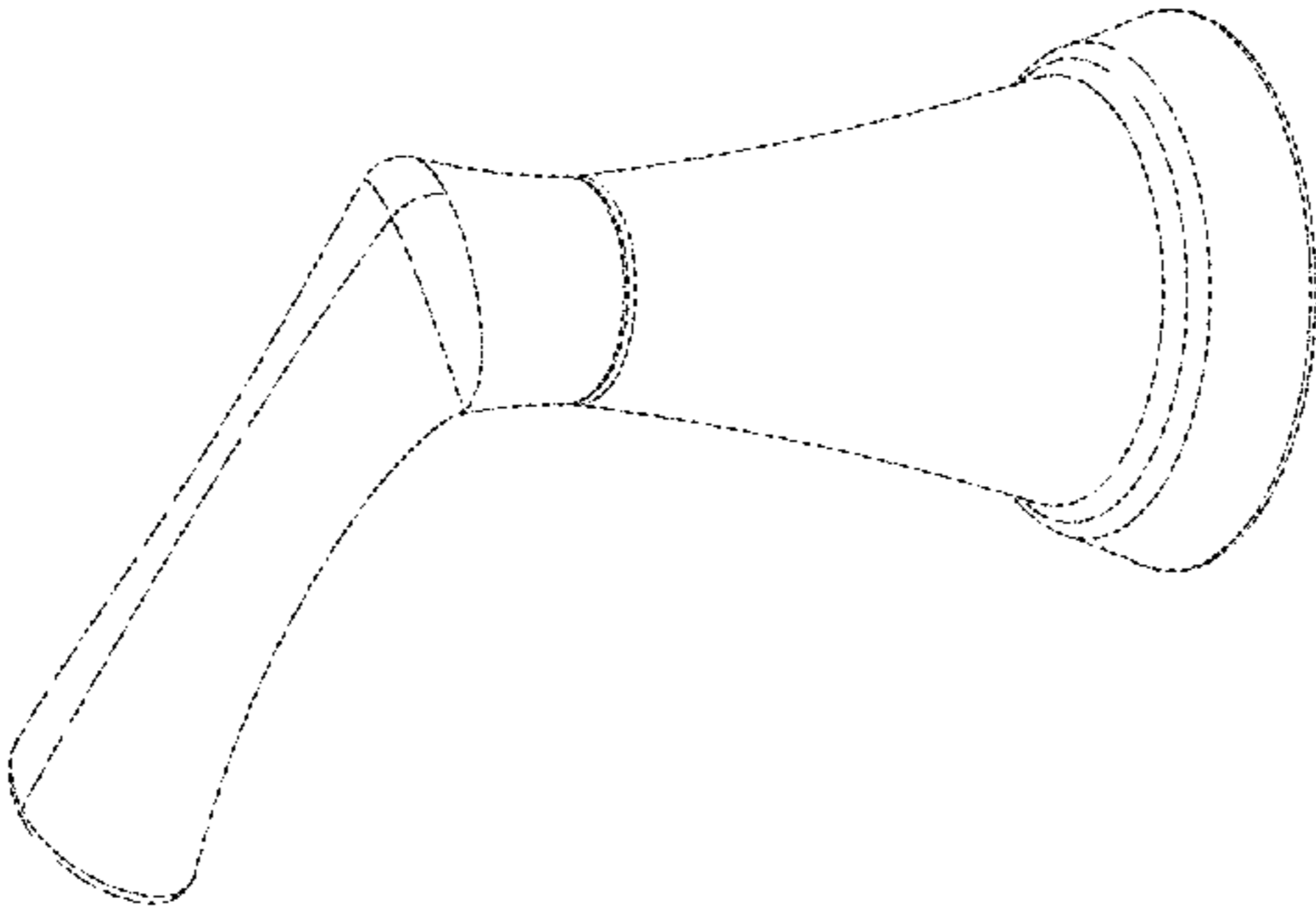


FIG - 1

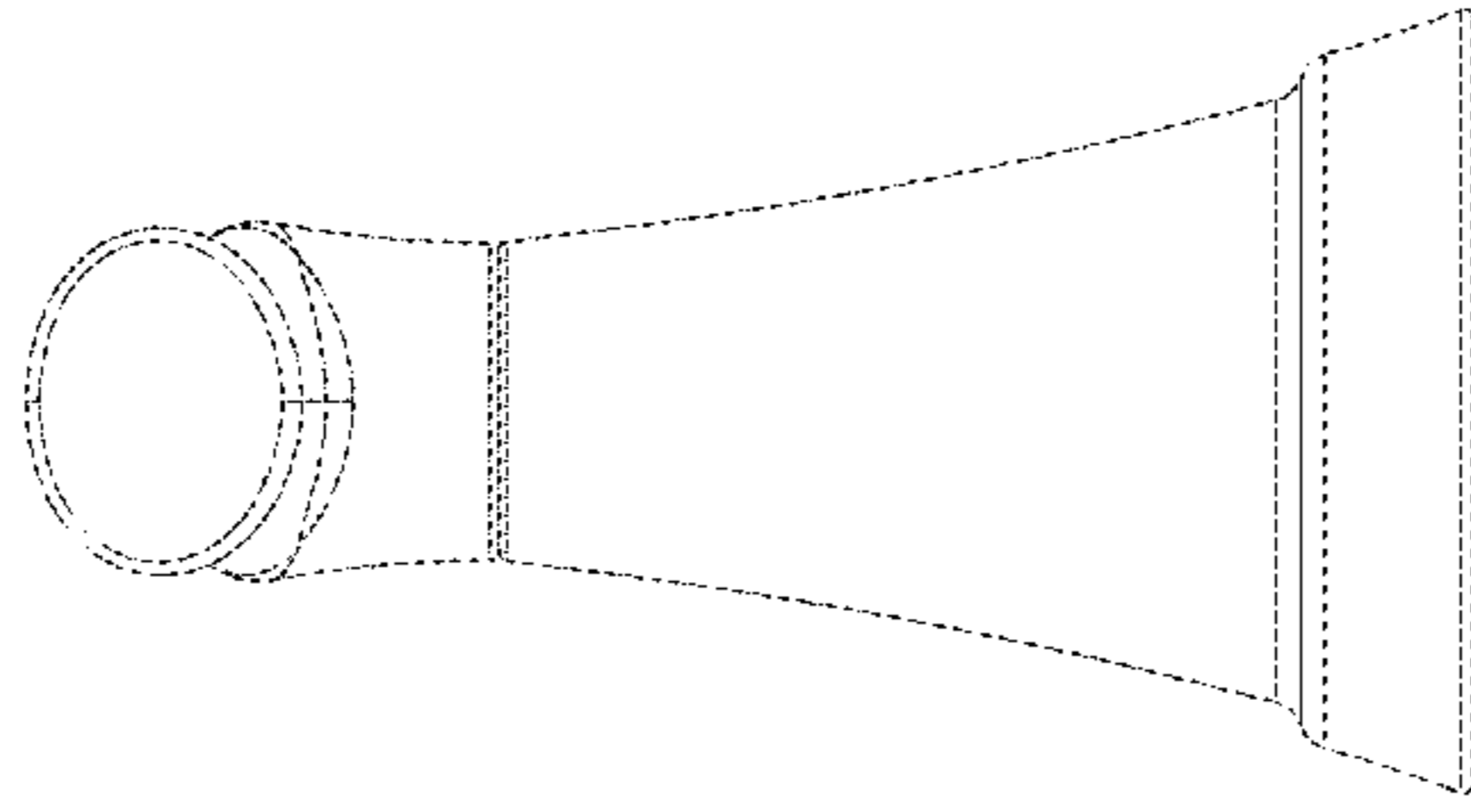


FIG - 4

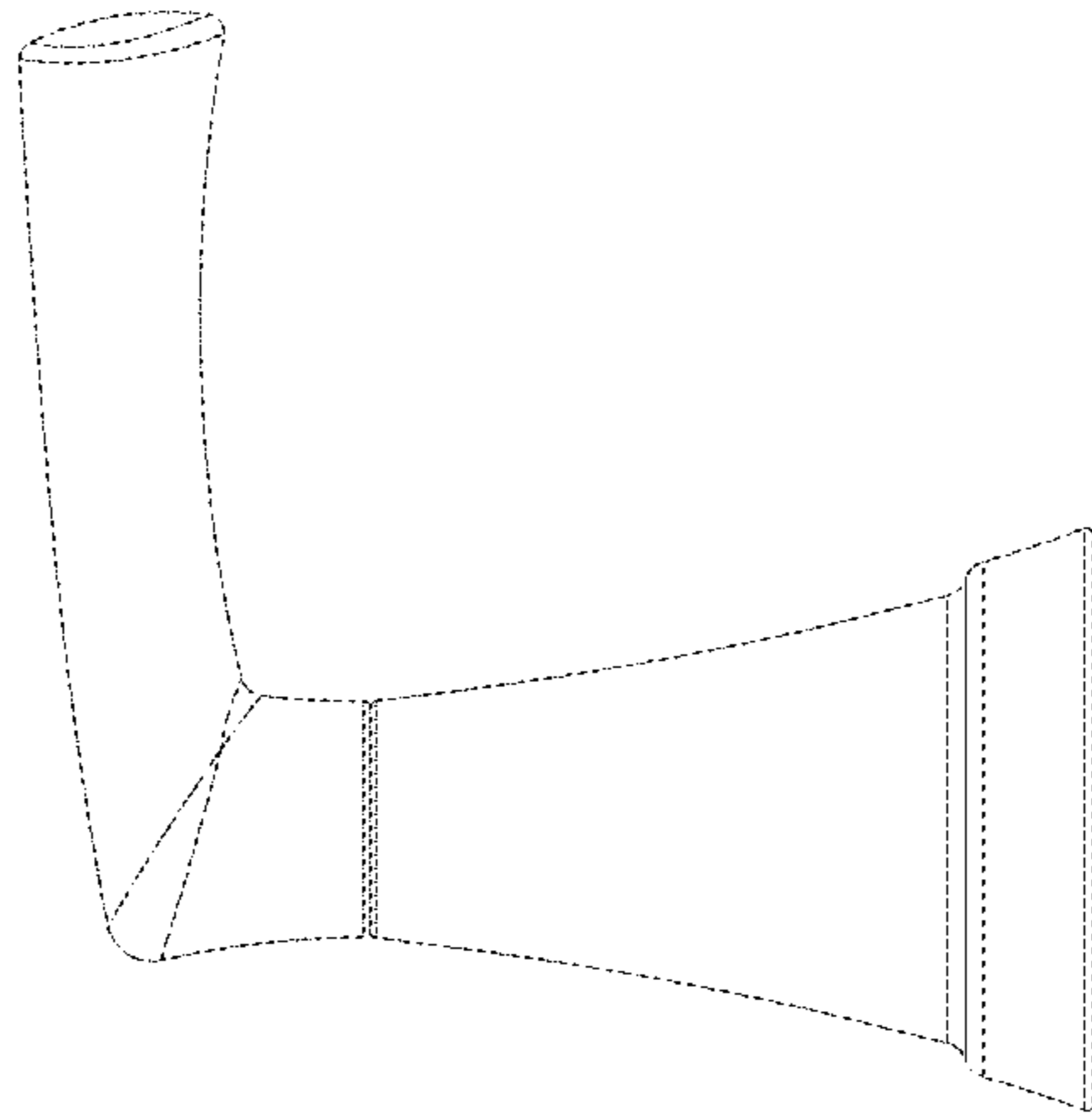


FIG - 3

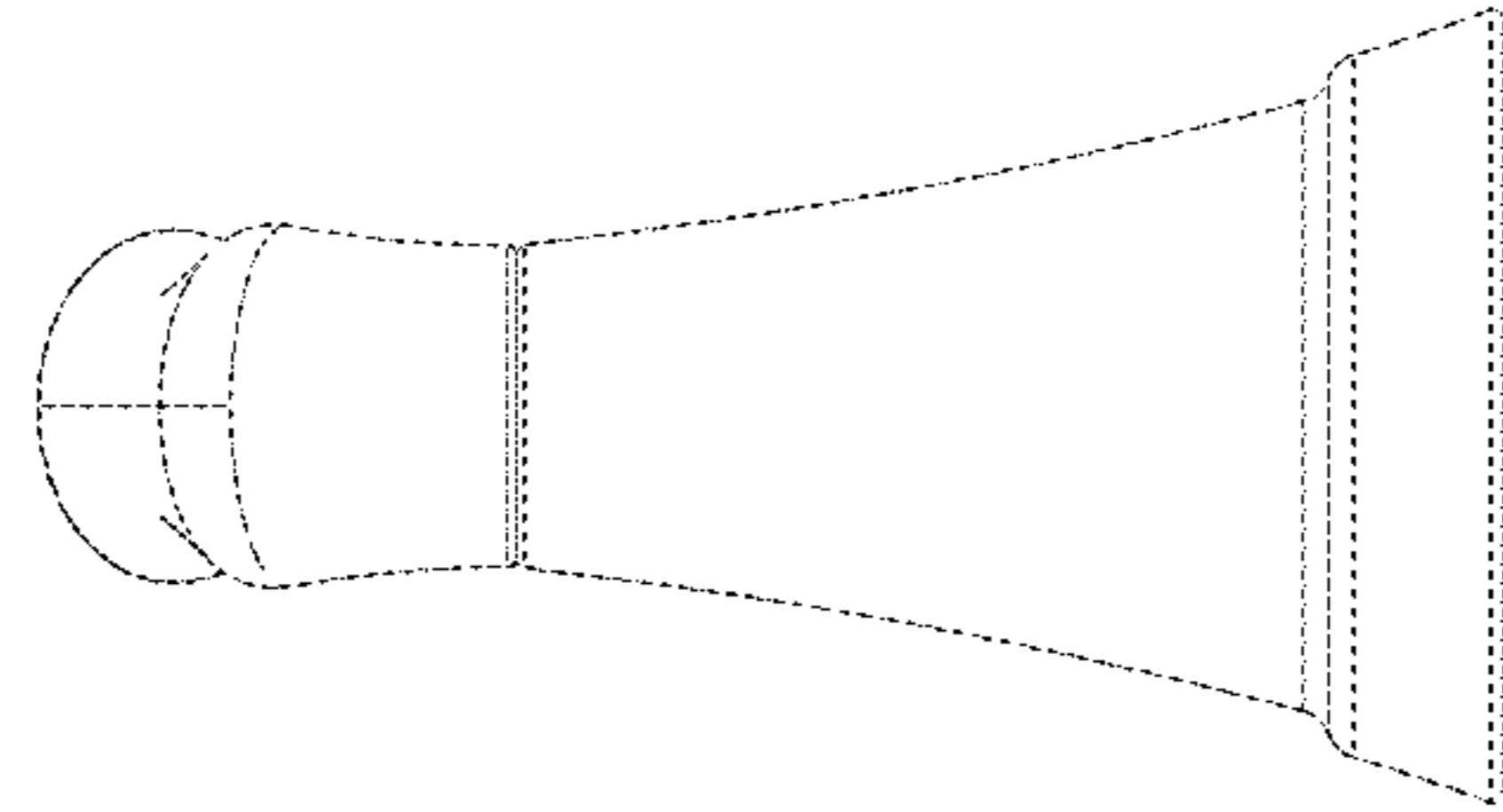


FIG - 6

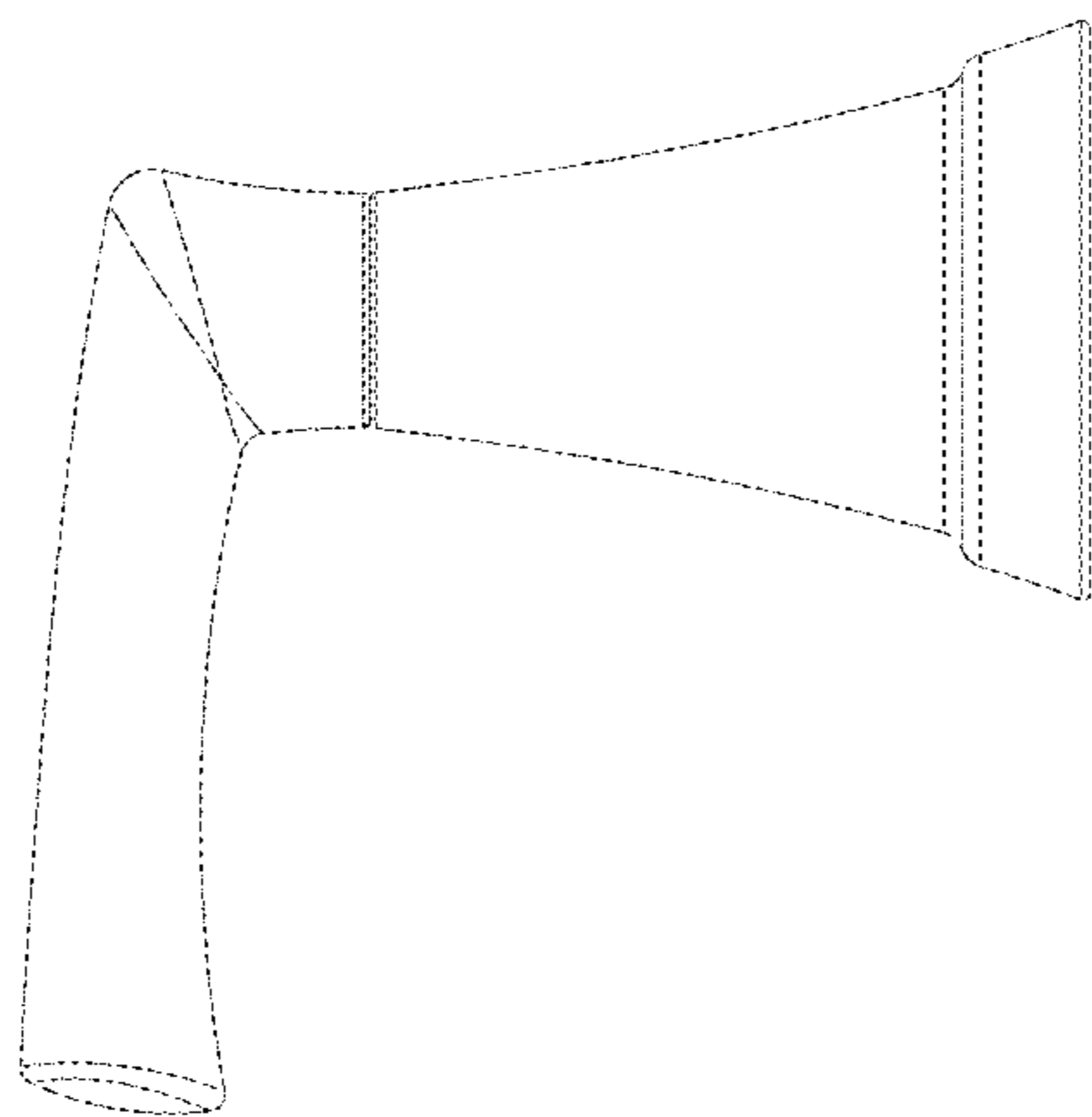


FIG - 5

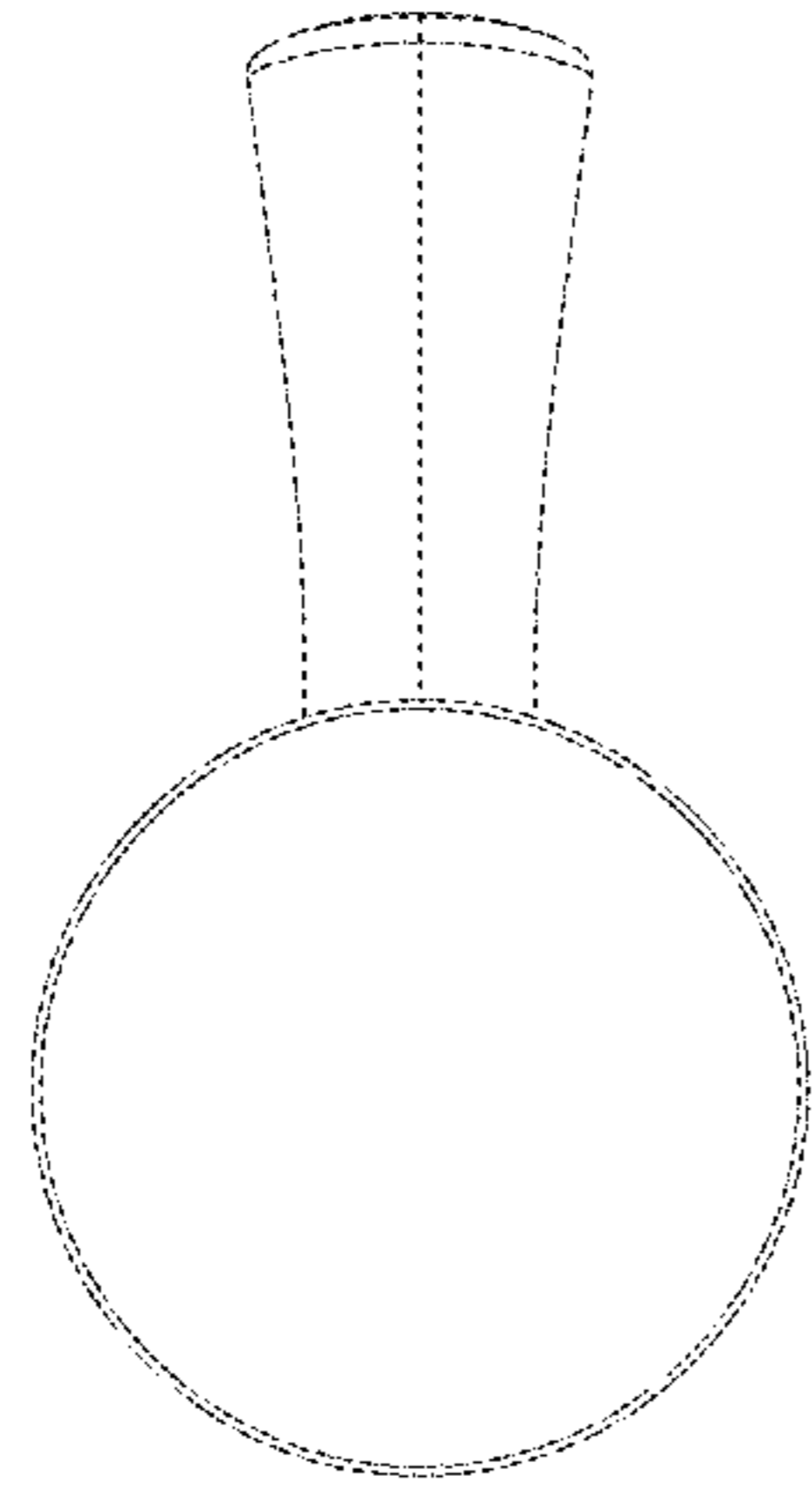


FIG - 8

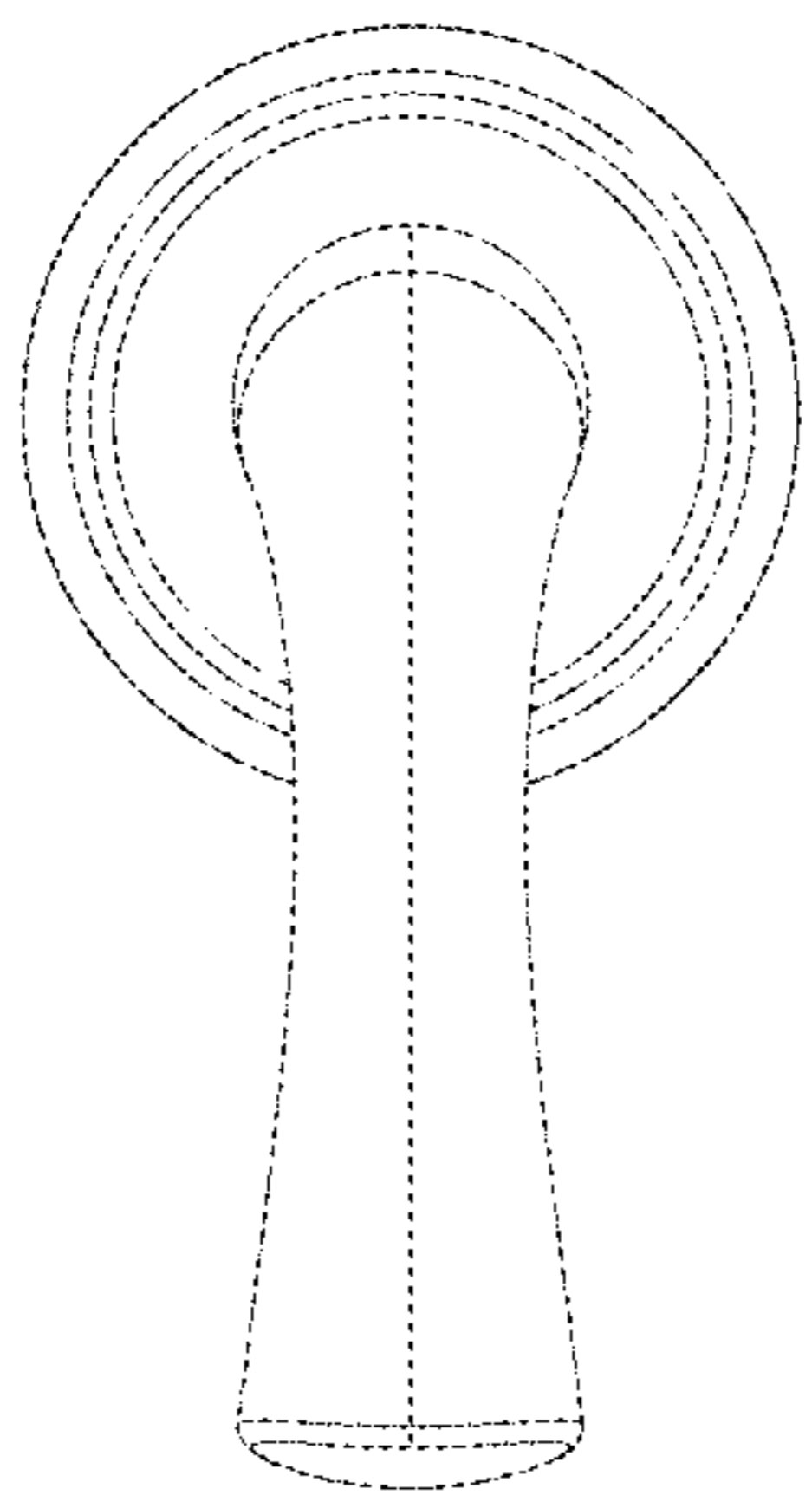


FIG - 7