



US00D946712S

(12) **United States Design Patent**  
**Yoshimura et al.**

(10) **Patent No.:** **US D946,712 S**

(45) **Date of Patent:** **\*\* \*Mar. 22, 2022**

(54) **ELECTROMAGNETIC VALVE**

(71) Applicant: **SMC CORPORATION**, Chiyoda-ku  
(JP)

(72) Inventors: **Shinichi Yoshimura**, Moriya (JP);  
**Minehiko Mita**, Joso (JP); **Seietsu**  
**Sumiyoshi**, Moriya (JP); **Naoyuki**  
**Maeda**, Ushiku (JP); **Tomoaki Tagami**,  
Kashiwa (JP)

(73) Assignee: **SMC CORPORATION**, Chiyoda-ku  
(JP)

(\*) Notice: This patent is subject to a terminal dis-  
claimer.

(\*\*) Term: **15 Years**

(21) Appl. No.: **29/715,065**

(22) Filed: **Nov. 27, 2019**

(30) **Foreign Application Priority Data**

Jun. 14, 2019 (JP) ..... 2019-013154

(51) **LOC (13) Cl.** ..... **23-01**

(52) **U.S. Cl.**  
USPC ..... **D23/233**

(58) **Field of Classification Search**  
USPC ..... D23/233, 235, 249  
CPC .... F16K 11/24; F16K 27/003; F16K 27/0263;  
F16K 27/029; F16K 27/048; F16K  
31/0634; F16K 31/0675; F16K 31/082;  
F15B 13/0857; F02M 63/0017; F02M  
51/061; H01F 2007/1692; Y10T  
137/86614

See application file for complete search history.

(56) **References Cited**

**U.S. PATENT DOCUMENTS**

5,603,355 A \* 2/1997 Miyazoe ..... F15B 13/0853  
137/625.64  
D636,460 S \* 4/2011 Hayashi ..... D23/233

D639,393 S \* 6/2011 Hayashi ..... D23/233  
D653,308 S \* 1/2012 Senba ..... D23/233  
D665,874 S \* 8/2012 Senba ..... D23/233  
D693,903 S \* 11/2013 Tamura ..... D23/233  
D695,380 S \* 12/2013 Tamura ..... D23/233  
D698,900 S \* 2/2014 Narita ..... D23/233  
D708,707 S \* 7/2014 Matsumura ..... D23/233  
D752,714 S \* 3/2016 Birke ..... D23/233  
D909,536 S \* 2/2021 Yoshimura ..... D23/233  
D909,537 S \* 2/2021 Yoshimura ..... D23/233  
D909,538 S \* 2/2021 Yoshimura ..... D23/233  
D910,147 S \* 2/2021 Yoshimura ..... D23/233  
D910,148 S \* 2/2021 Yoshimura ..... D23/233  
D911,491 S \* 2/2021 Sumiyoshi ..... D23/233  
2006/0283509 A1 \* 12/2006 Narita ..... F15B 13/0896  
137/596.16

(Continued)

*Primary Examiner* — Selina Sikder

(74) *Attorney, Agent, or Firm* — Oblon, McClelland,  
Maier & Neustadt, L.L.P.

(57) **CLAIM**

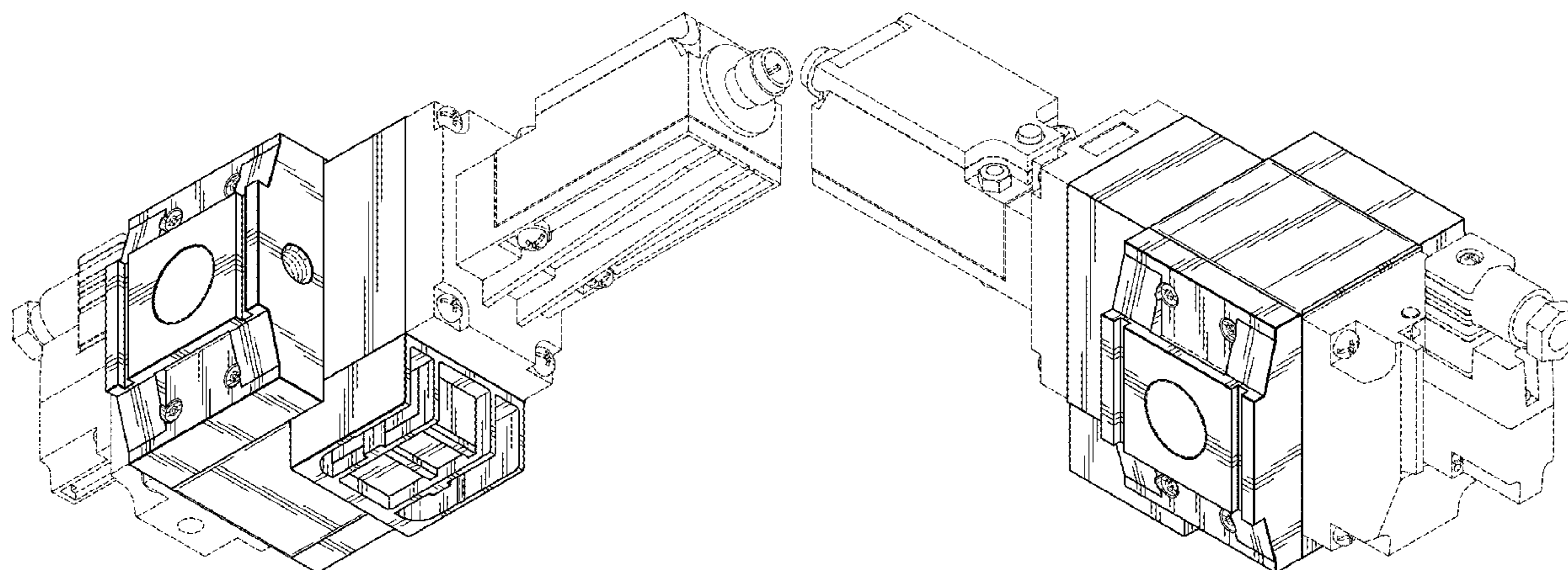
The ornamental design for an electromagnetic valve, as  
shown and described.

**DESCRIPTION**

FIG. 1 is a front, bottom, and right side perspective view of  
a an electromagnetic valve;  
FIG. 2 is a rear, top, and left side view thereof;  
FIG. 3 is a front elevational view thereof;  
FIG. 4 is a rear elevational view thereof;  
FIG. 5 is a top plan view thereof;  
FIG. 6 is a bottom plan view thereof;  
FIG. 7 is a left side elevational view thereof; and,  
FIG. 8 is a right side elevational view thereof.

The broken lines shown in the figures are for the purpose of  
illustrating portions of the electromagnetic valve that form  
no part of the claimed design.

**1 Claim, 8 Drawing Sheets**



(56)

**References Cited**

U.S. PATENT DOCUMENTS

2014/0264106 A1\* 9/2014 Matsumura ..... F16K 1/52  
251/73  
2018/0135766 A1\* 5/2018 Miyazoe ..... F16K 27/003

\* cited by examiner

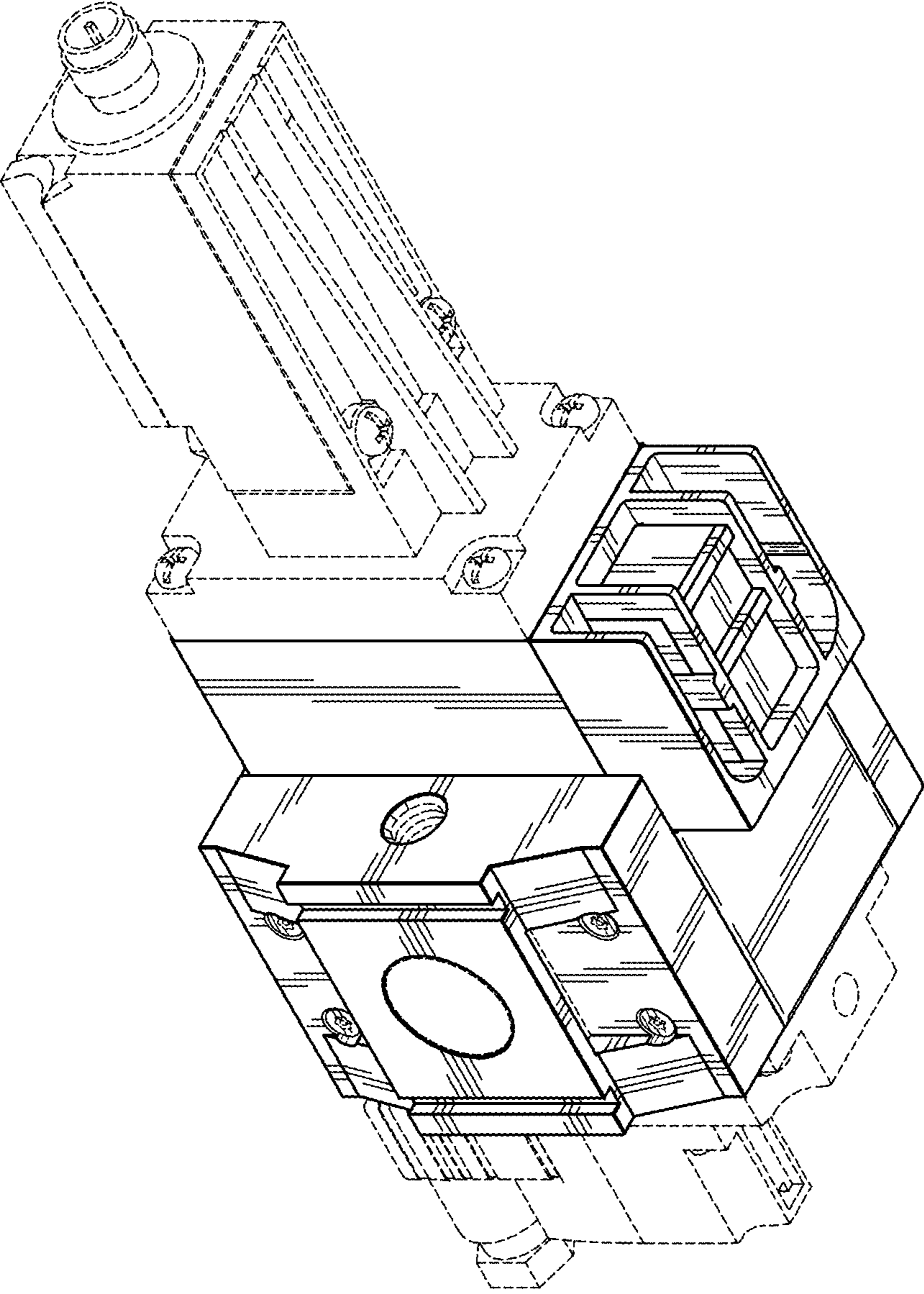


FIG. 1

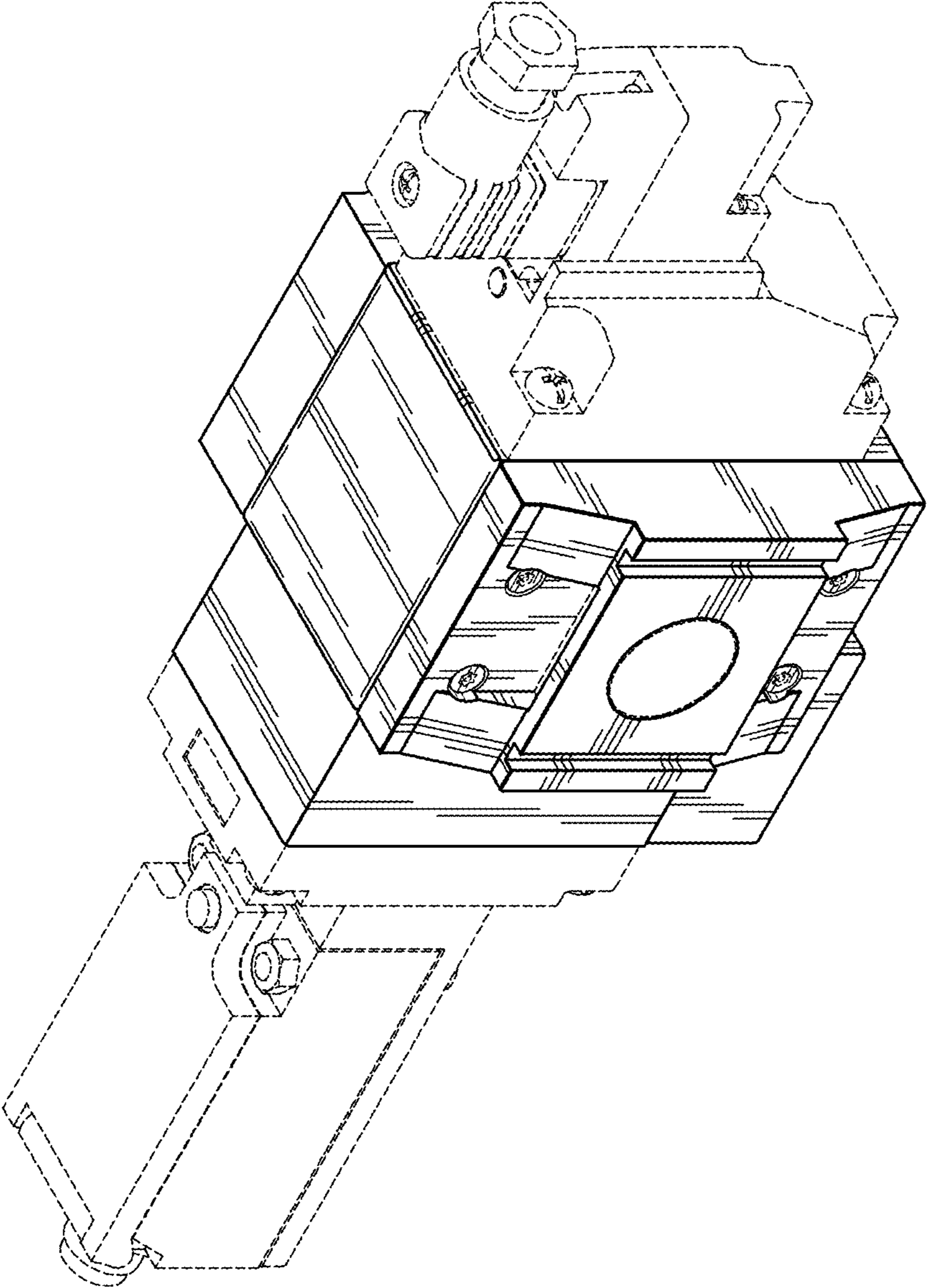


FIG. 2



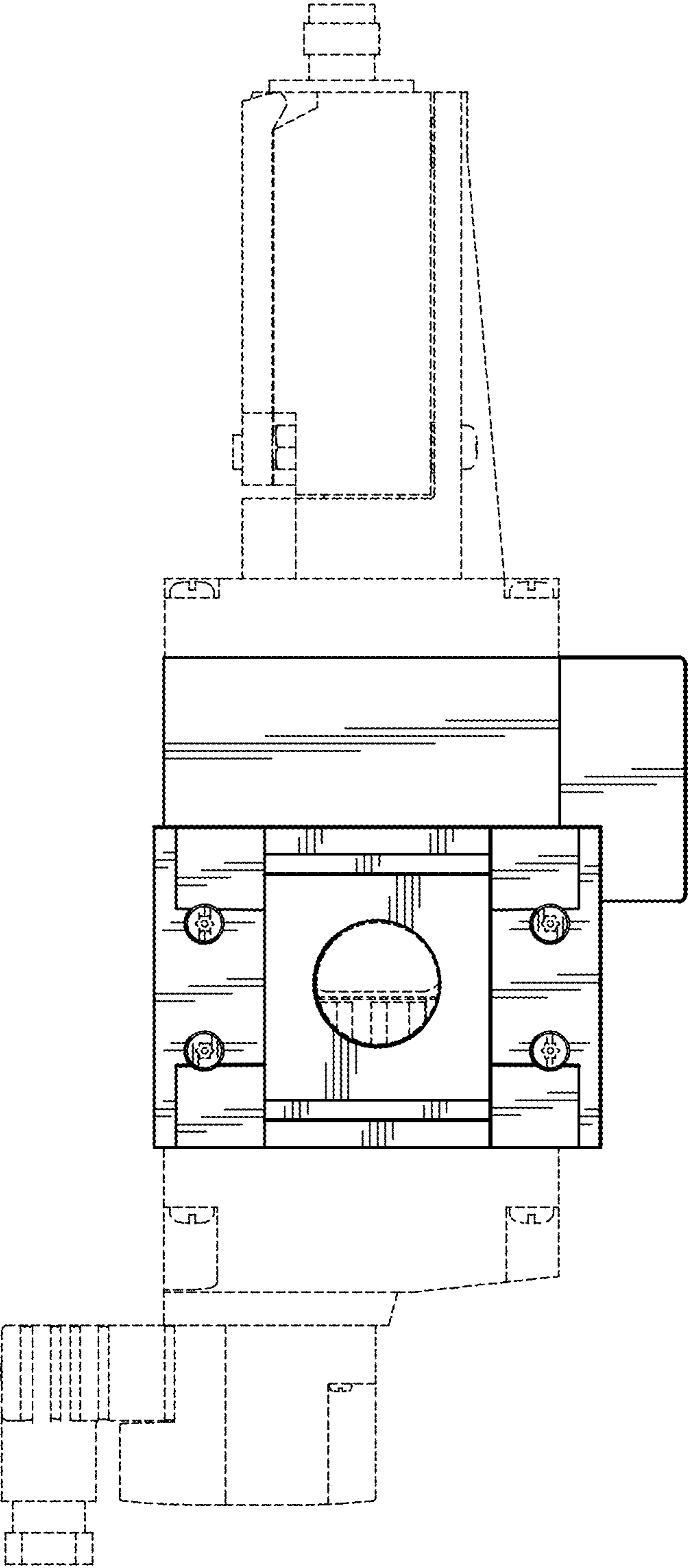


FIG. 3

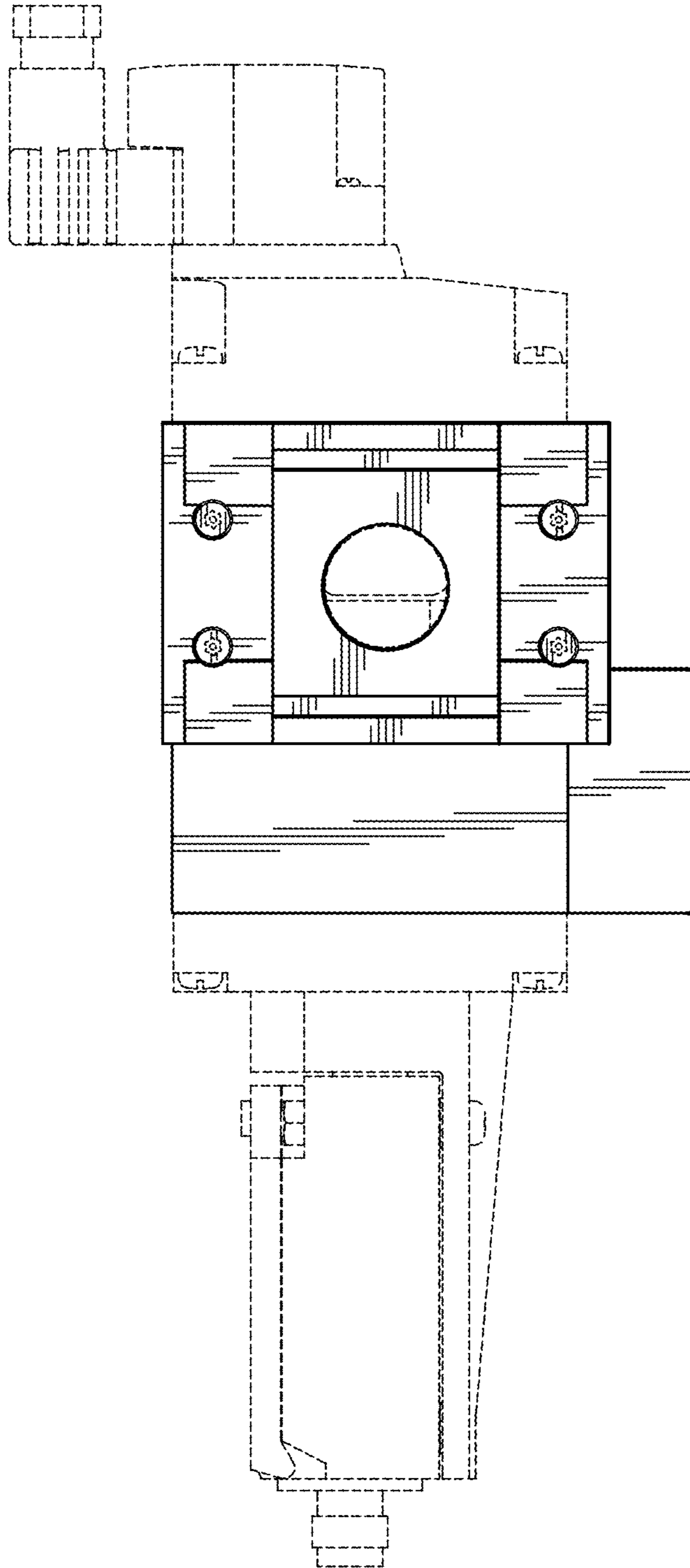


FIG. 4

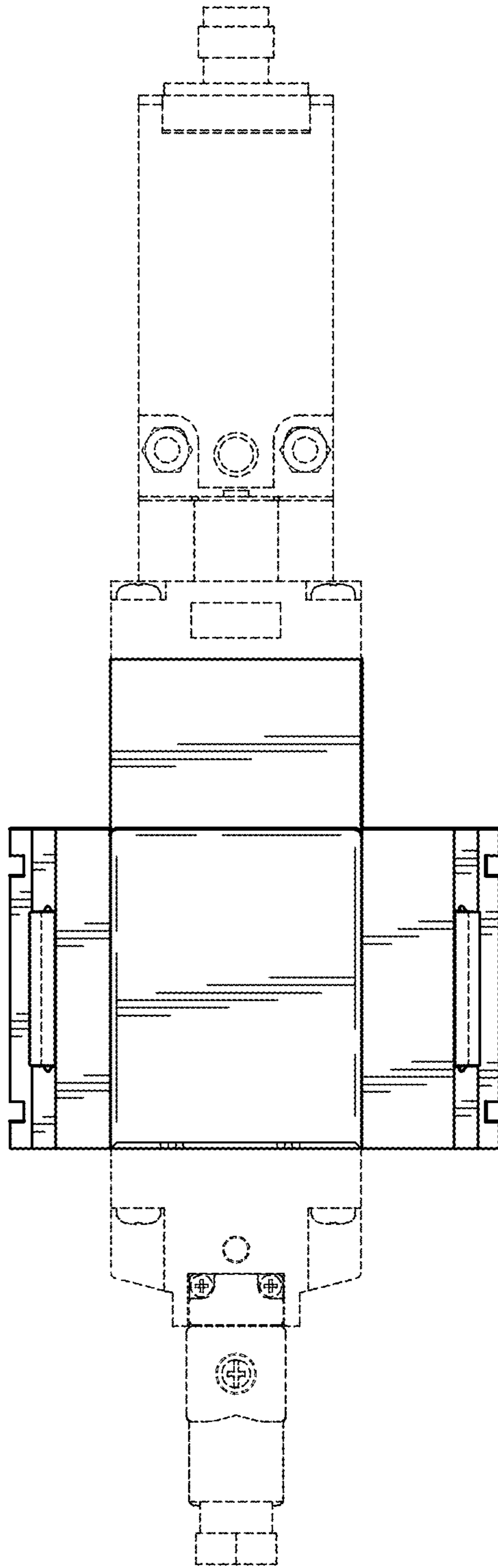


FIG. 5

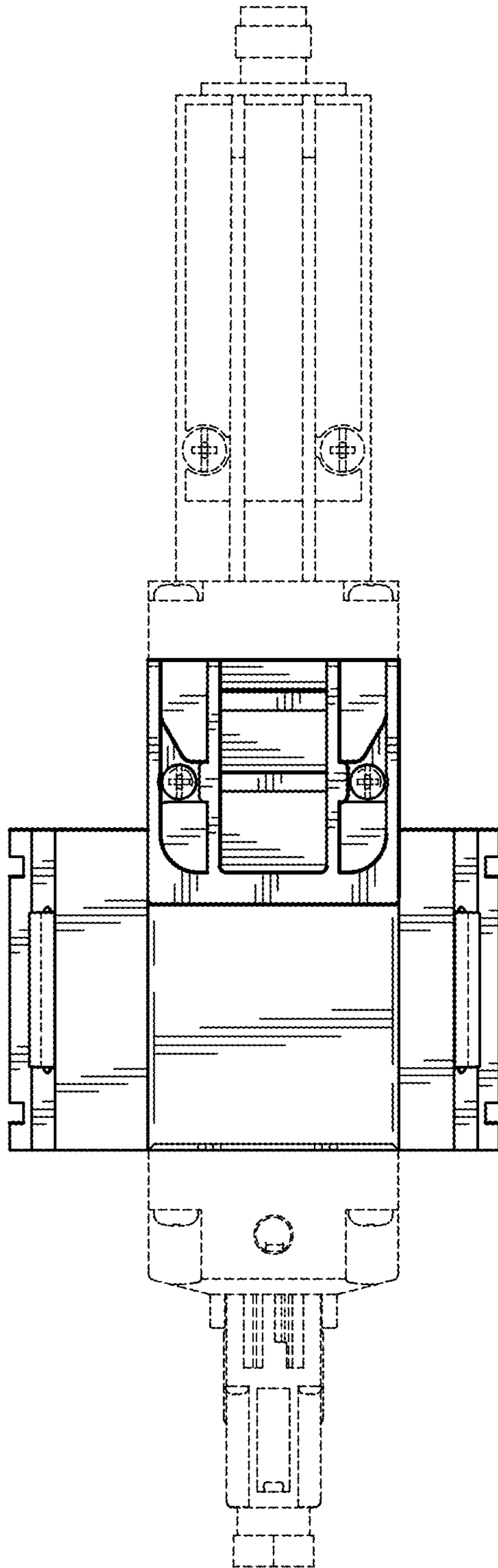


FIG. 6



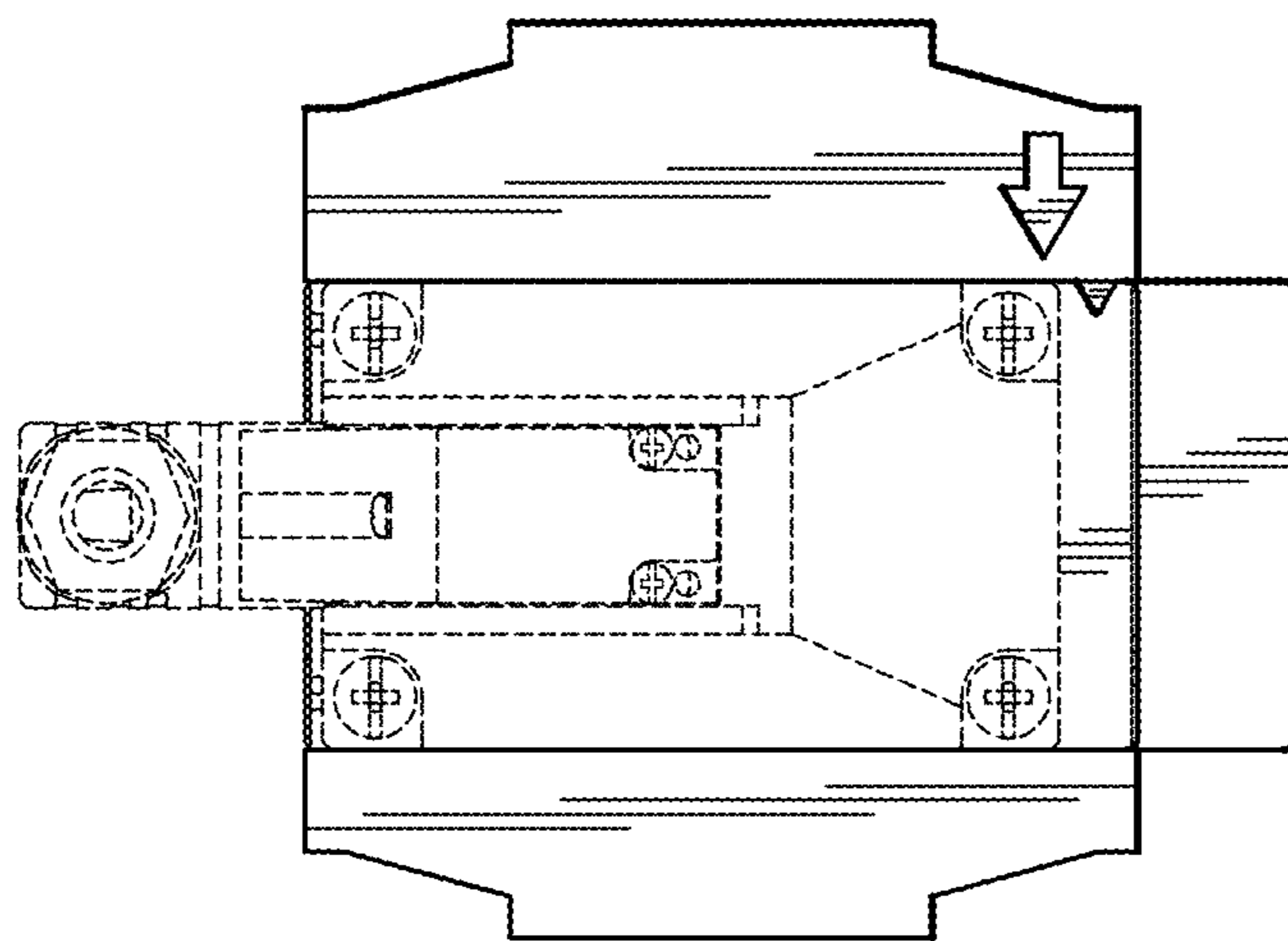


FIG. 7

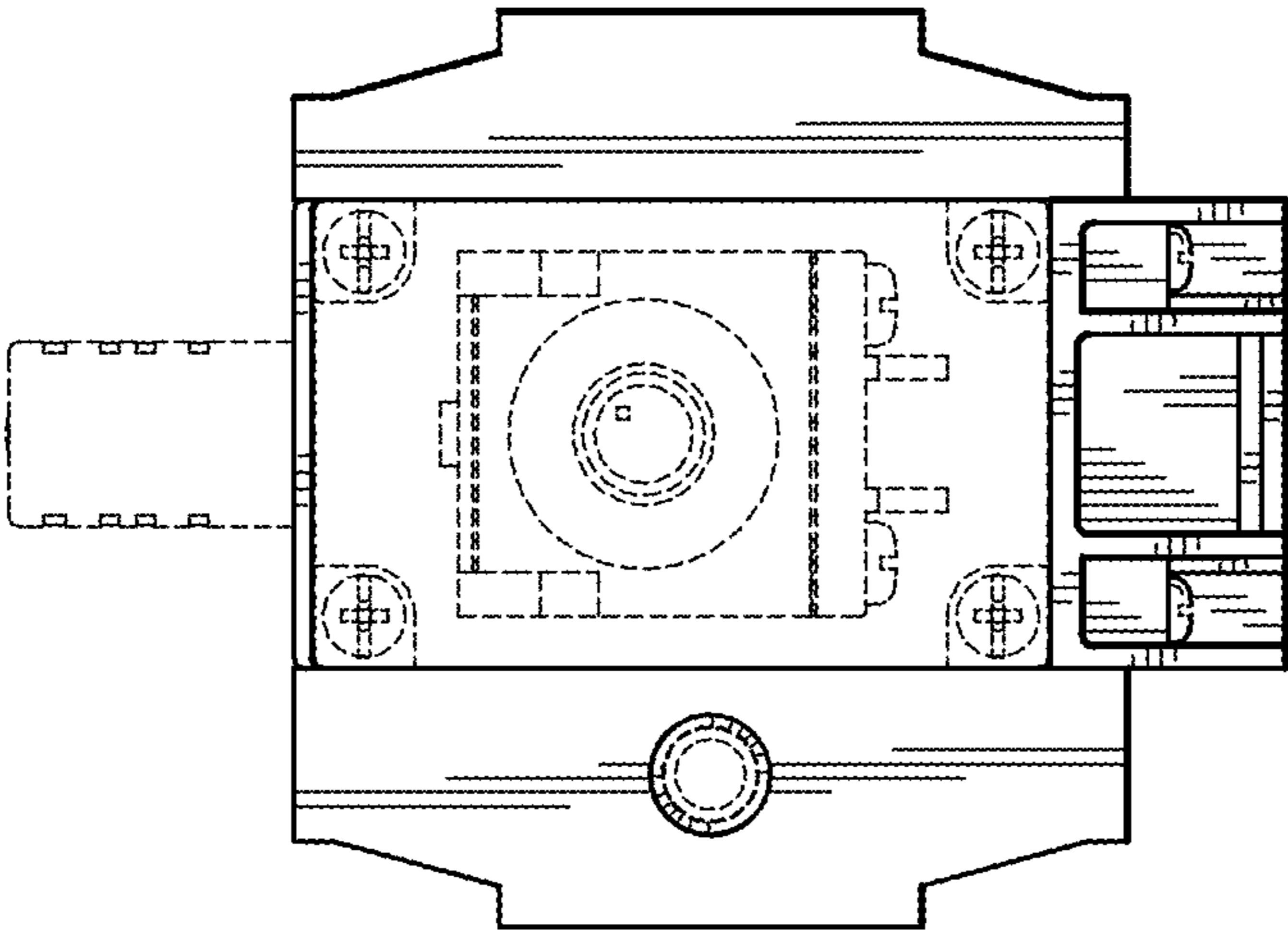


FIG. 8