



US00D946711S

(12) **United States Design Patent**
Polyzopoulos et al.

(10) **Patent No.:** **US D946,711 S**
(45) **Date of Patent:** **** Mar. 22, 2022**

(54) **HEAT SHIELD FOR A GAS TURBINE FUEL NOZZLE**

(71) Applicant: **Siemens Energy, Inc.**, Orlando, FL (US)

(72) Inventors: **Charalambos Polyzopoulos**, Orlando, FL (US); **Richard L. Thackway**, Oviedo, FL (US)

(73) Assignee: **SIEMENS ENERGY, INC.**, Orlando, FL (US)

(**) Term: **15 Years**

(21) Appl. No.: **29/682,267**

(22) Filed: **Mar. 4, 2019**

(51) **LOC (13) Cl.** **23-01**

(52) **U.S. Cl.**
USPC **D23/227**

(58) **Field of Classification Search**
USPC D23/207, 213, 214, 215, 223, 224, 225, D23/226, 229, 230, 261, 227
CPC A61H 9/0021; A61H 33/00; B05B 1/00; B05B 1/14; B05B 1/185; B05B 1/08; B05B 1/02; B05B 1/26; B05B 12/002; B05B 1/18; B05B 9/01; F28F 2265/10; F28F 2265/02

See application file for complete search history.

(56) **References Cited**

U.S. PATENT DOCUMENTS

D287,996 S *	1/1987	Carder, Sr.	D23/227
D299,522 S *	1/1989	Chalberg	D23/261
D356,361 S *	3/1995	Feldt	D23/227
D371,427 S *	7/1996	Harris	D23/227
D398,704 S *	9/1998	Randle	D23/213
D466,198 S *	11/2002	Mullings	D23/261
D521,595 S *	5/2006	Jones	D23/227
D599,444 S *	9/2009	Jones	D23/261
7,946,507 B2 *	5/2011	Gauthier, III	B05B 15/622
				239/1

D673,246 S *	12/2012	Lee	D23/260
D774,626 S *	12/2016	McMurtry	D23/227
D802,094 S *	11/2017	Fell	D23/227
D803,355 S *	11/2017	Negri	D23/227
D851,224 S *	6/2019	Krombein	D23/261
10,473,332 B2 *	11/2019	Hannwacker	F23R 3/007
10,788,214 B2 *	9/2020	Prociw	F23R 3/14
D900,760 S *	11/2020	Kouzuma	D13/184
D907,748 S *	1/2021	Jones	D23/261
D914,851 S *	3/2021	Ravassa	D23/261

(Continued)

OTHER PUBLICATIONS

F3 with Ceramic Heatshield, Feb. 18, 2019, amazon.com, Nov. 15, 2021, URL: https://www.supplyhouse.com/Beckett-51360-F3-with-Ceramic-Heat-Shield?gclid=EALalQobChMlm6jGkfaa9AIVir7ICh1ZZg4GEAQYASABegLA2_D_BwE#reviews-content (Year: 2019).*

(Continued)

Primary Examiner — Jack Reickel
Assistant Examiner — Keith J Wilson

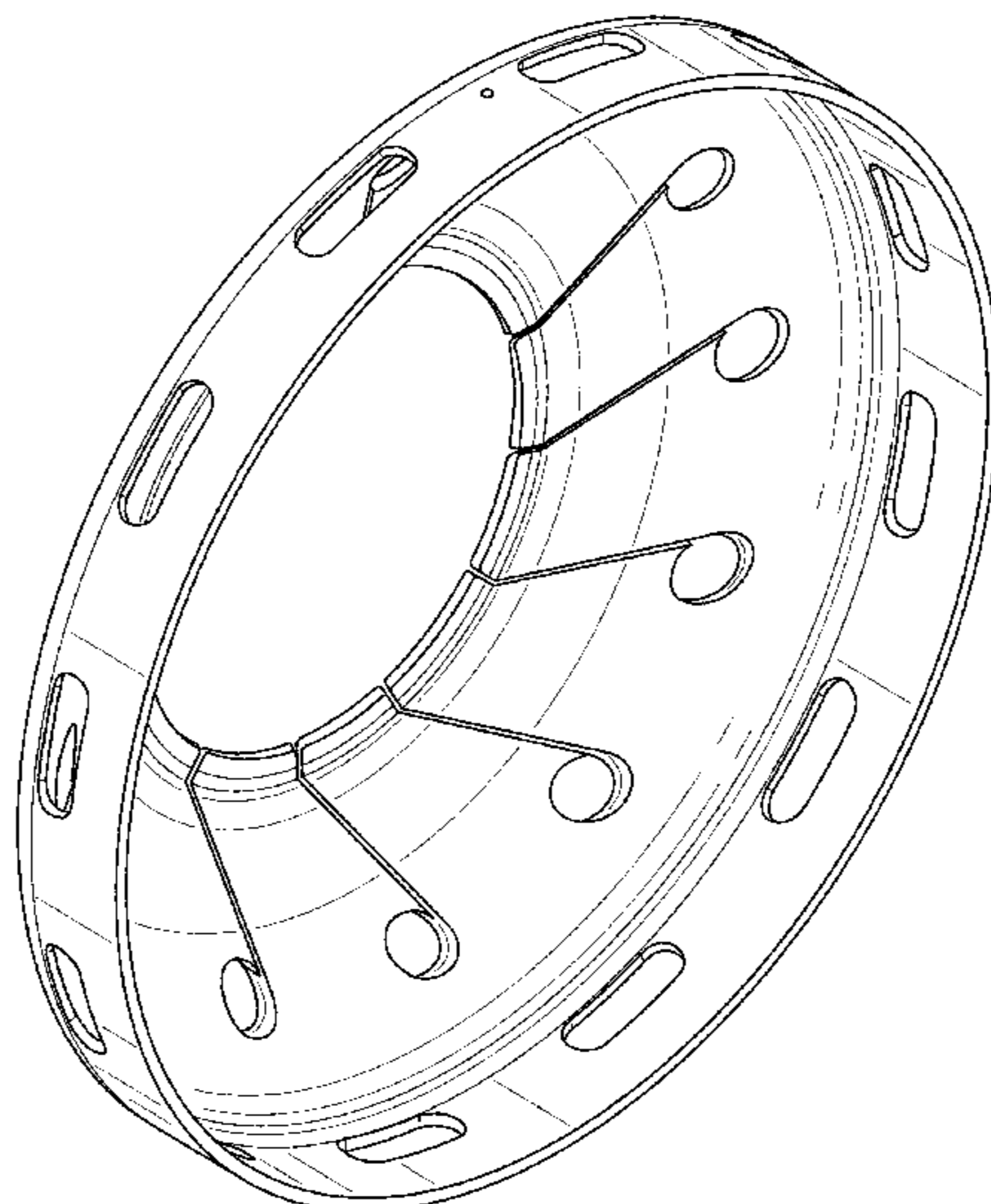
(57) **CLAIM**

We claim the ornamental design for a heat shield for a gas turbine fuel nozzle, as shown and described.

DESCRIPTION

FIG. 1 is a perspective view of a heat shield for a gas turbine fuel nozzle embodying the invention.
FIG. 2 is a top view of the heat shield of FIG. 1.
FIG. 3 is a bottom view of the heat shield of FIG. 1.
FIG. 4 left side view of the heat shield of FIG. 1.
FIG. 5 side view of the heat shield of FIG. 1.
FIG. 6 is a rear view of the heat shield of FIG. 1; and,
FIG. 7 is a front view of the heat shield of FIG. 1.
The elements shown in broken lines are included for the purpose of illustrating environment and form no part of the claimed design.

1 Claim, 7 Drawing Sheets



(56)

References Cited

U.S. PATENT DOCUMENTS

D935,572 S * 11/2021 Adachi D23/261
2004/0083735 A1 * 5/2004 Borns F23R 3/10
60/772
2004/0112061 A1 * 6/2004 Oskoei F23R 3/12
60/776
2014/0008045 A1 * 1/2014 Snyder F28F 11/02
165/134.1
2014/0083111 A1 * 3/2014 Gregg F02C 3/14
60/779
2015/0314894 A1 * 11/2015 Mazed D03D 25/005
244/171.7
2017/0106973 A1 * 4/2017 Baden F16D 65/847

OTHER PUBLICATIONS

Maxdot 3 Pack Garbage Disposal Splash Guard Sink, Jun. 22, 2018,
amazon.com, Nov. 15, 2018.URL: <https://www.amazon.com/Maxdot-Garbage-Disposal-Replacement-Diameter/dp/B07DXHGRJM/> (Year:
2018).*

* cited by examiner

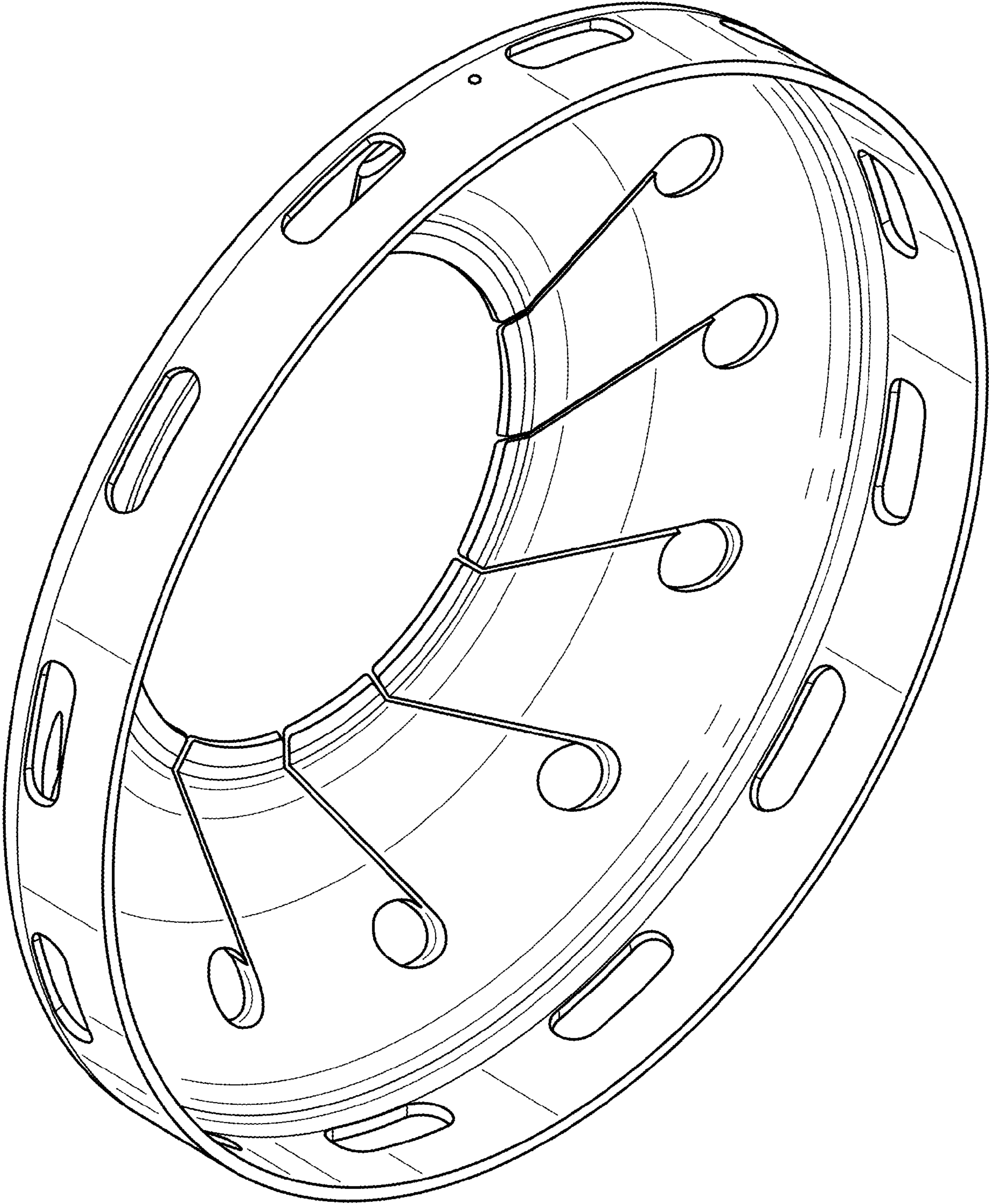


FIG. 1

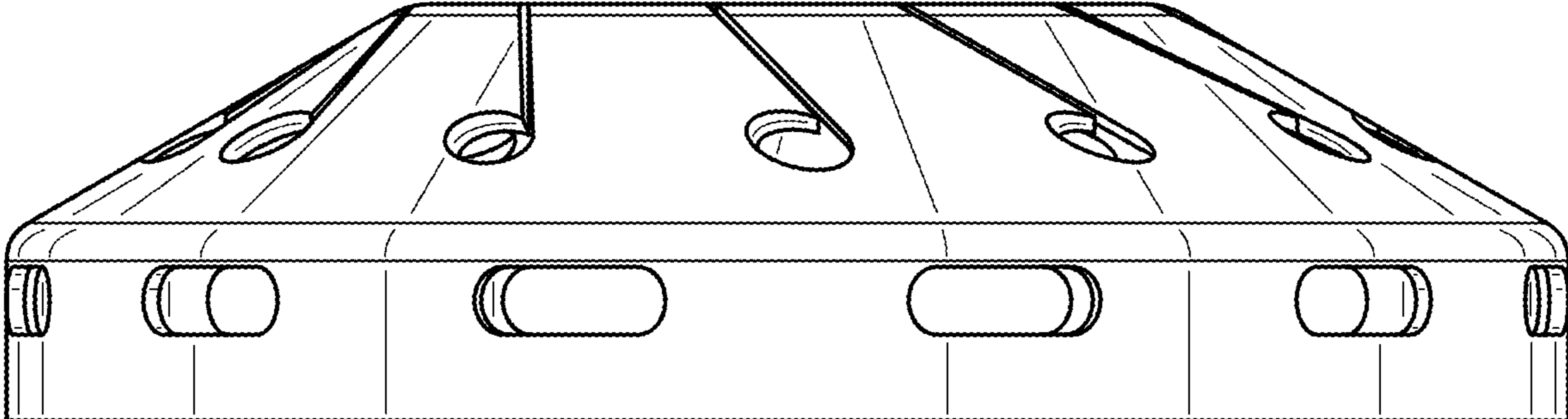


FIG. 2

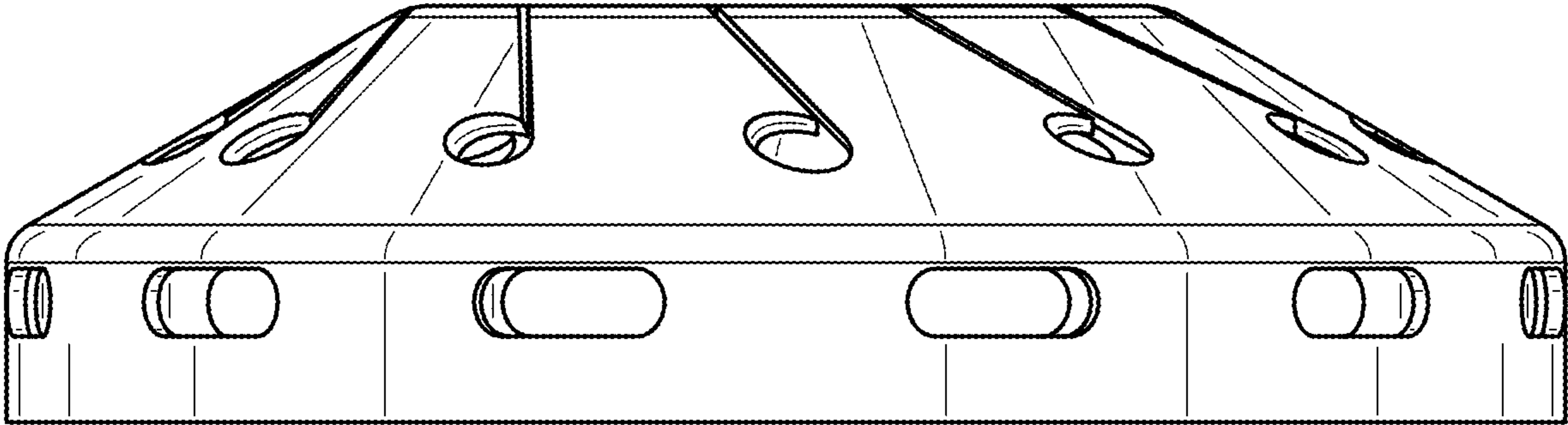


FIG. 3

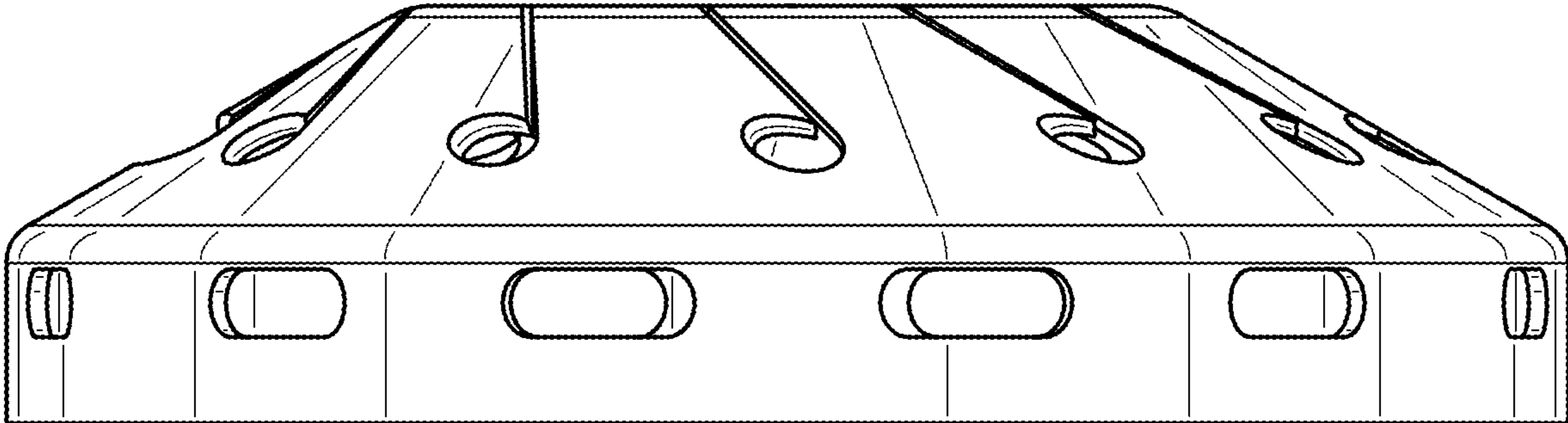


FIG. 4

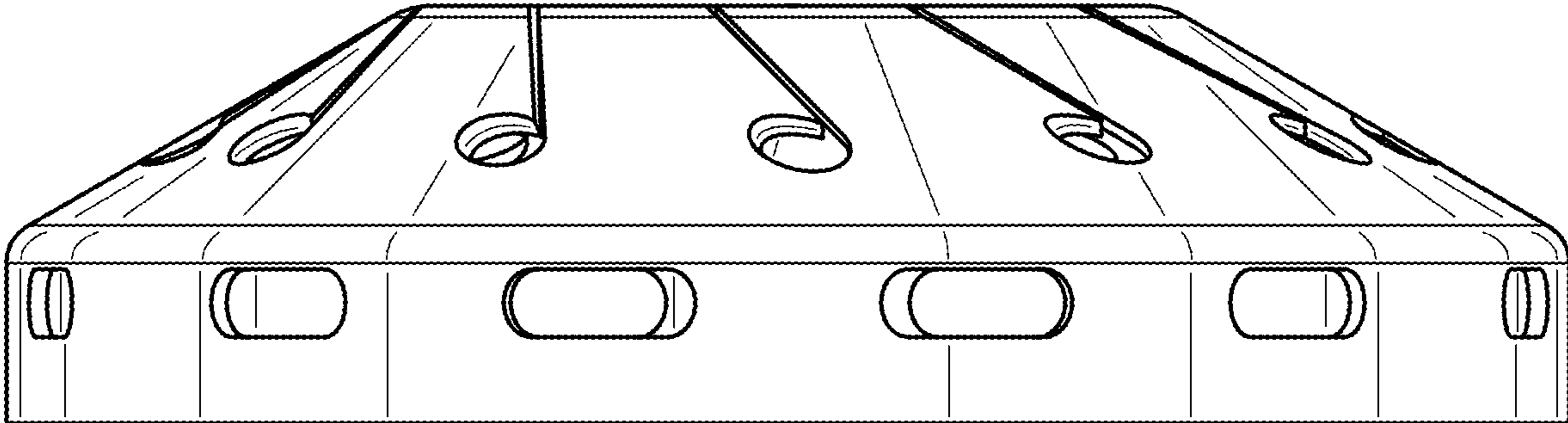


FIG. 5

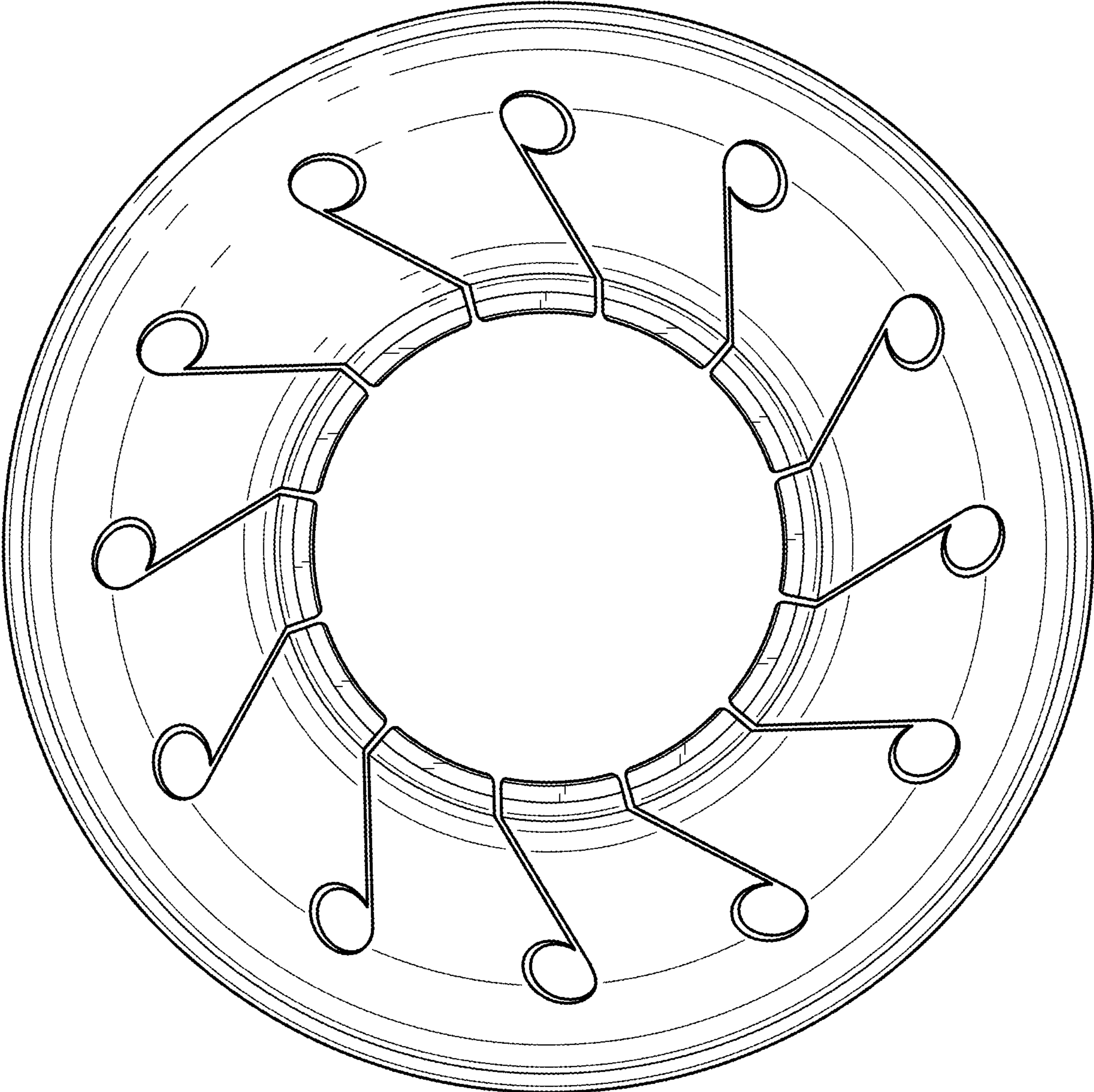


FIG. 6

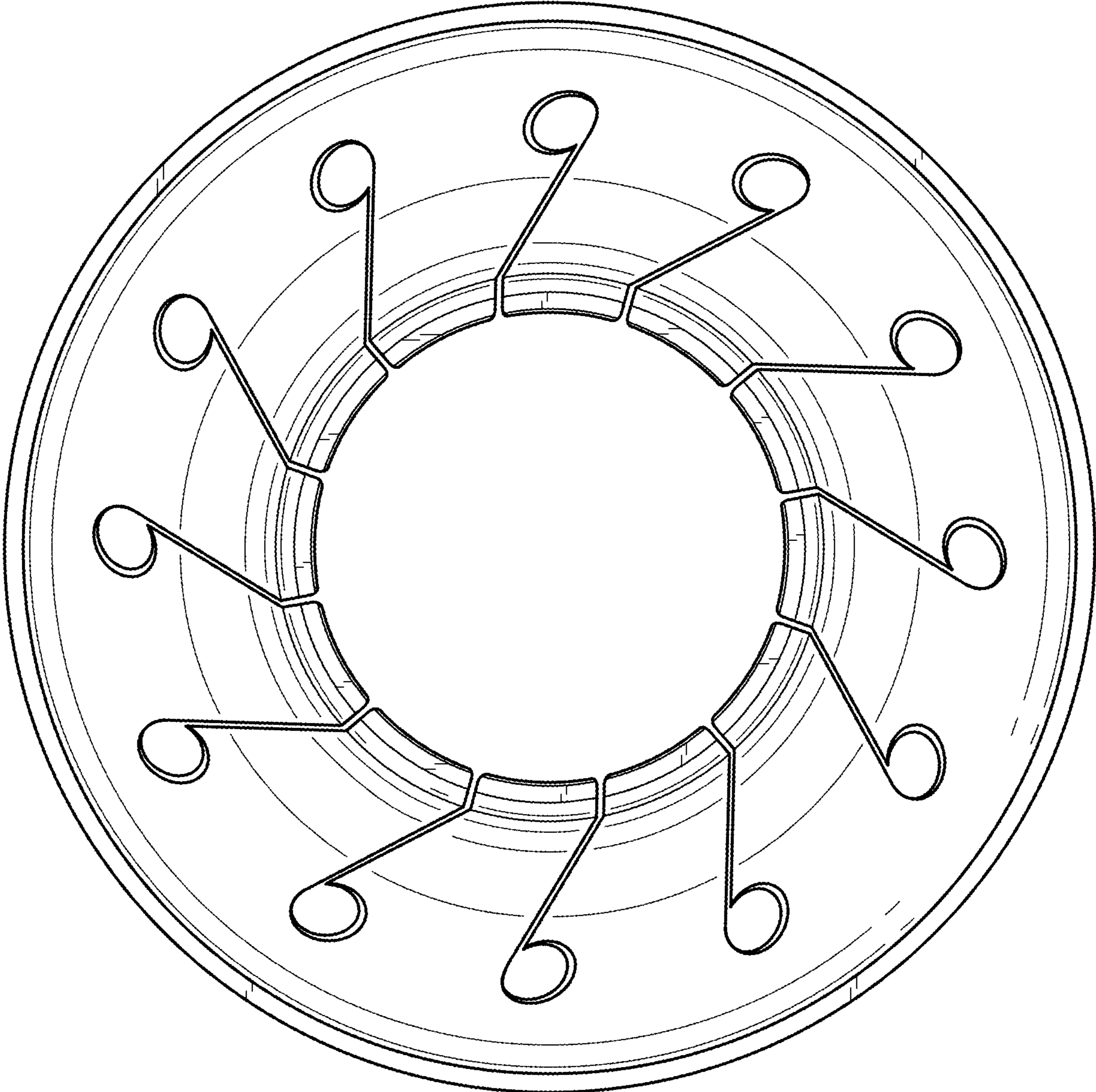


FIG. 7