



US00D946710S

(12) **United States Design Patent**
Feng

(10) **Patent No.:** **US D946,710 S**

(45) **Date of Patent:** **** Mar. 22, 2022**

(54) **WATER GUN**

(71) Applicant: **Wencan Feng**, Guangdong (CN)

(72) Inventor: **Wencan Feng**, Guangdong (CN)

(**) Term: **15 Years**

(21) Appl. No.: **29/771,955**

(22) Filed: **Feb. 26, 2021**

(51) **LOC (13) Cl.** **23-01**

(52) **U.S. Cl.**
USPC **D23/226**

(58) **Field of Classification Search**
USPC D23/206, 213, 214, 223, 225, 226, 255
CPC A61H 33/00; B05B 1/005; B05B 1/3013;
B05B 9/01; B05B 1/08
See application file for complete search history.

(56) **References Cited**

U.S. PATENT DOCUMENTS

D354,997 S	1/1995	Arad	
D452,297 S *	12/2001	Chao	D23/226
D453,371 S *	2/2002	Wang	D23/226
D453,814 S *	2/2002	Wang	D23/226
D464,707 S *	10/2002	Wang	D23/226
D465,550 S *	11/2002	Wang	D23/226
D501,537 S *	2/2005	Zeng	D23/226
D501,538 S *	2/2005	Zeng	D23/226
D532,077 S *	11/2006	Chen	D23/213
D585,107 S *	1/2009	Lo	D23/223
D585,958 S *	2/2009	Cheng	D23/223
D615,615 S *	5/2010	Cheng	D23/226
D639,352 S	6/2011	Chan	
D660,920 S	5/2012	Johnson	
D660,921 S	5/2012	Johnson et al.	
D660,926 S	5/2012	Mastin	
D757,188 S	5/2016	Murayama	

D780,292 S *	2/2017	Chen	D23/226
D780,294 S *	2/2017	Chen	D23/226
D855,121 S	7/2019	Kim	
D883,401 S	5/2020	Yang	
D903,789 S	12/2020	Zheng	

FOREIGN PATENT DOCUMENTS

CN 201530494609.4 * 6/2016

OTHER PUBLICATIONS

Gsindors Nozzle found on Apr. 29, 2021 at: <https://www.amazon.com/Gsindors-Adjustable-Watering-Patterns-Multifunctional/dp/B08R55T3TL/> (Year: 2021).*

* cited by examiner

Primary Examiner — Karen S Acker
Assistant Examiner — Jonathan E Fiencke

(57) **CLAIM**

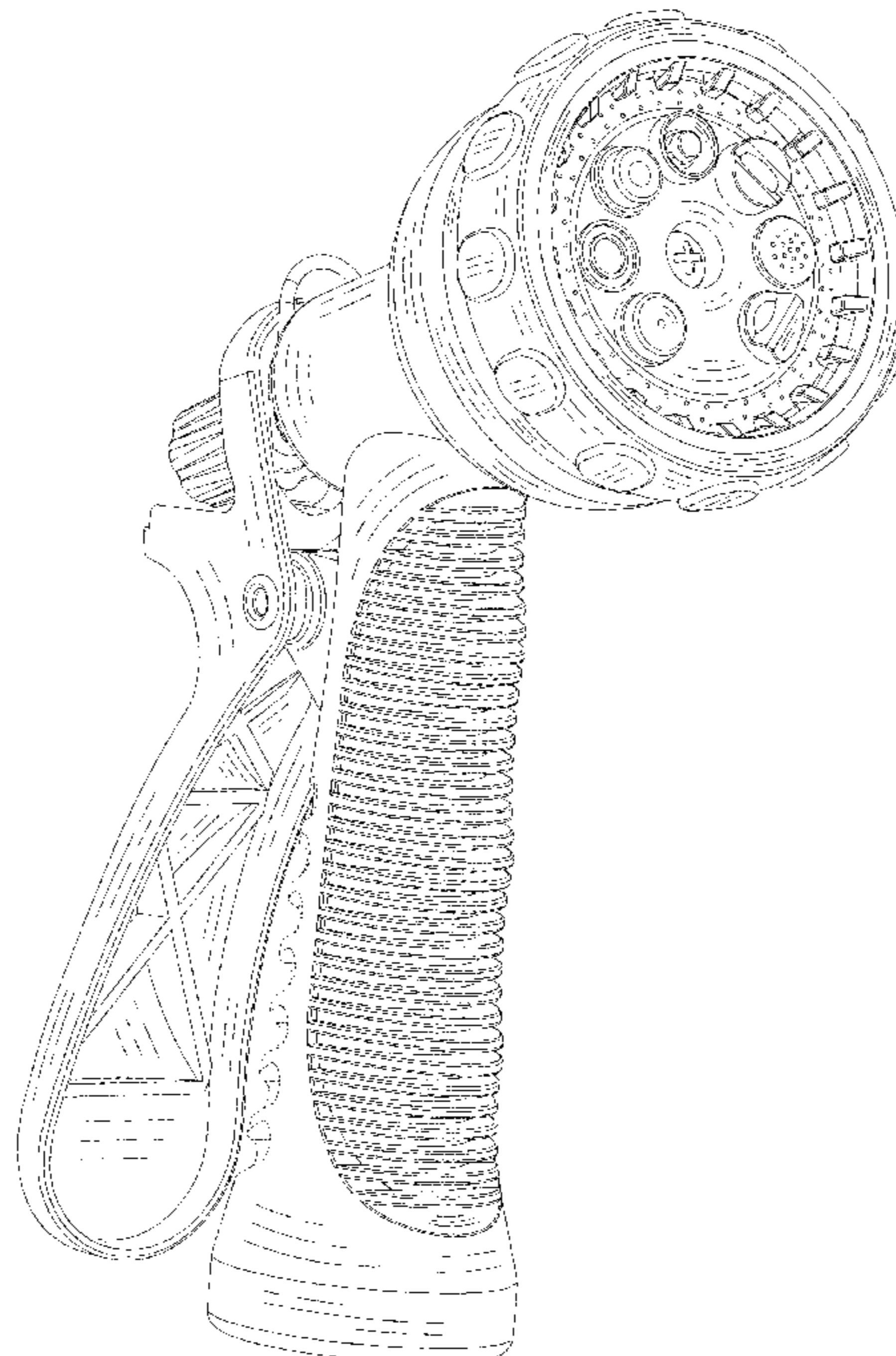
The ornamental design for a water gun, as shown and described.

DESCRIPTION

FIG. 1 is a perspective view of a water gun showing my new design;
FIG. 2 is a front elevational view thereof;
FIG. 3 is a rear elevational view thereof;
FIG. 4 is a top plan view thereof;
FIG. 5 is a bottom plan view thereof;
FIG. 6 is a left side elevational view thereof;
FIG. 7 is a right side elevational view thereof; and,
FIG. 8 is another perspective view thereof.

The broken lines throughout the drawing figures and all areas within depict portions of the water gun that form no part of the claimed design.

1 Claim, 8 Drawing Sheets



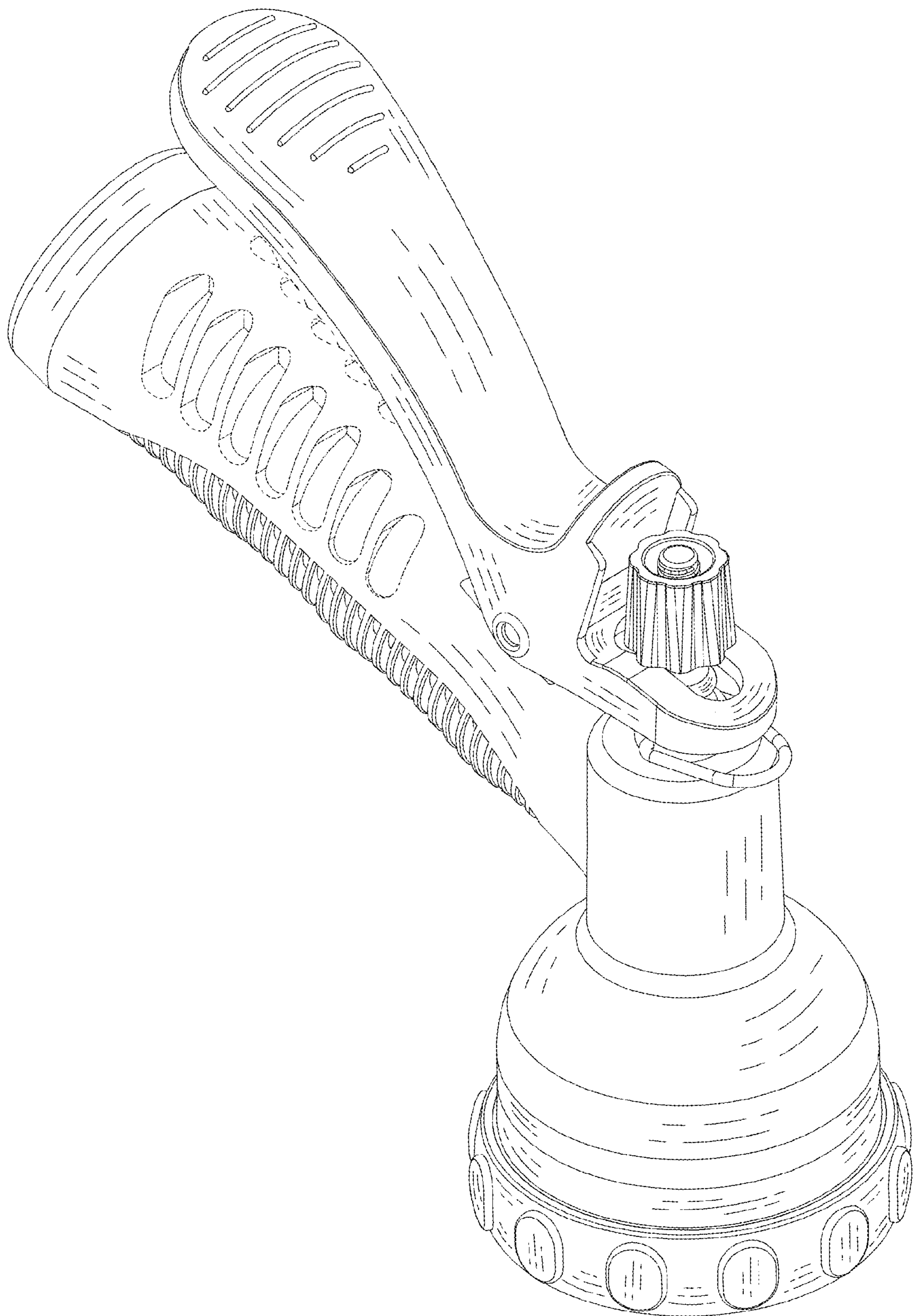


FIG.1

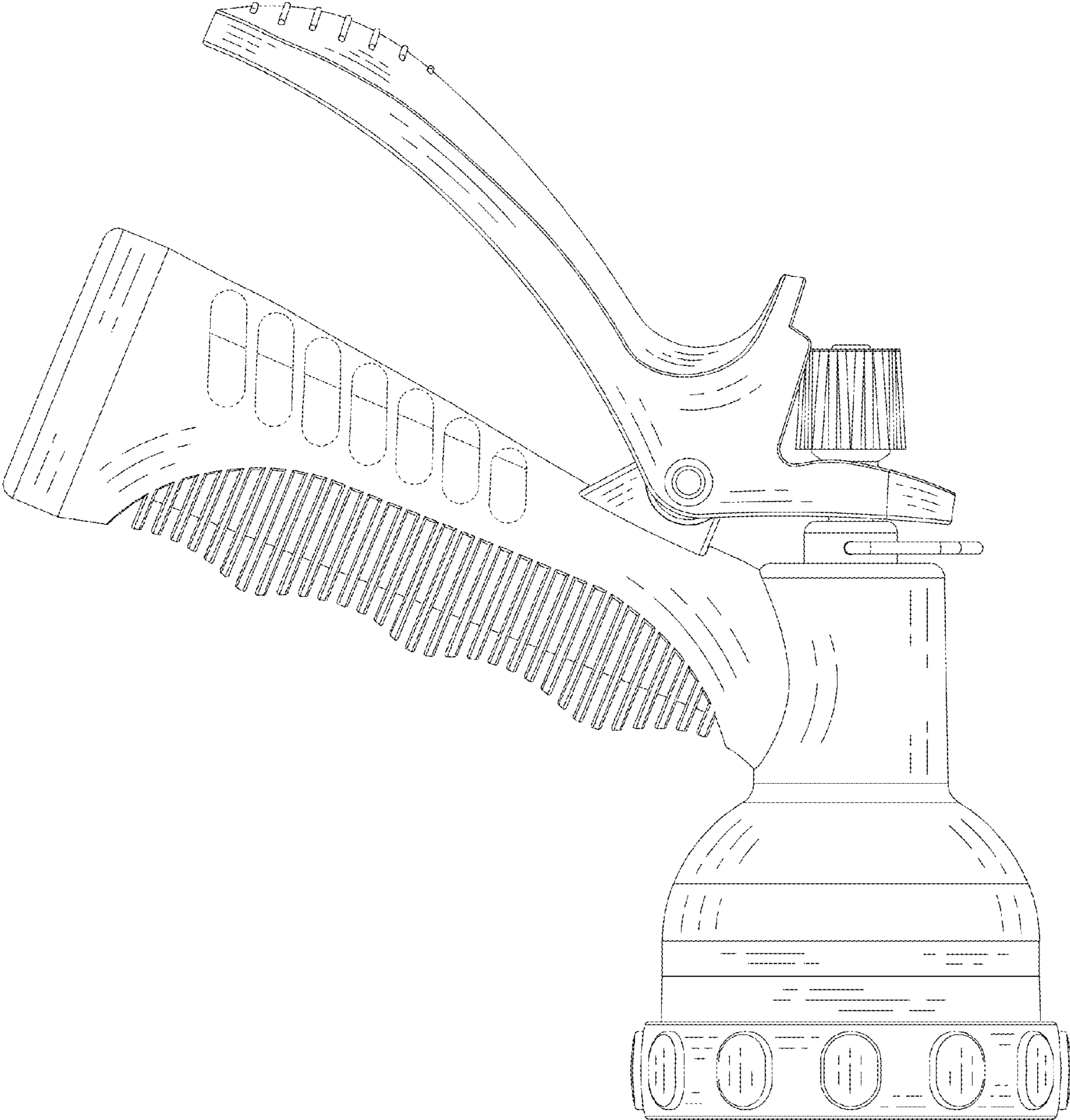


FIG.2

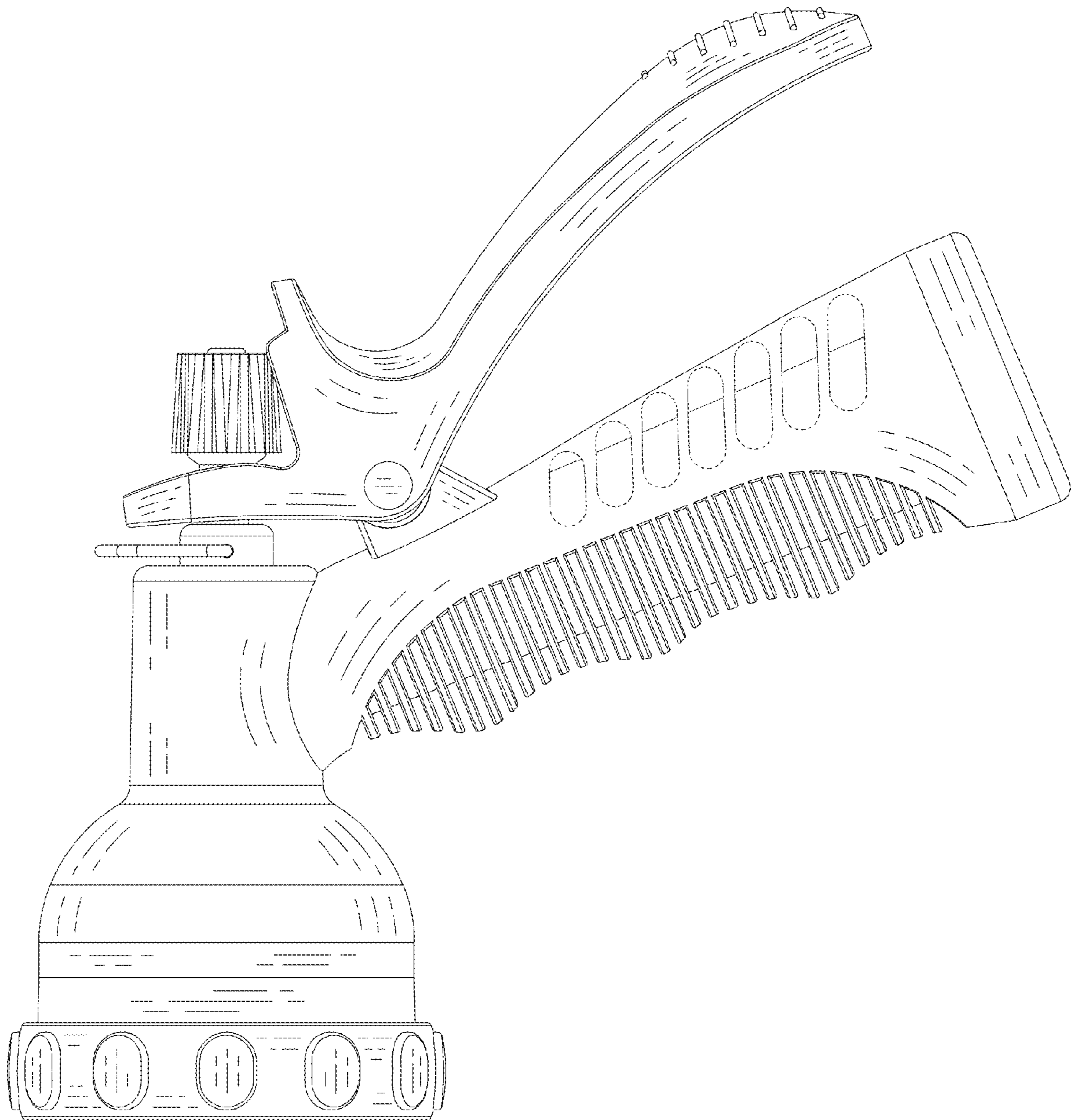


FIG.3

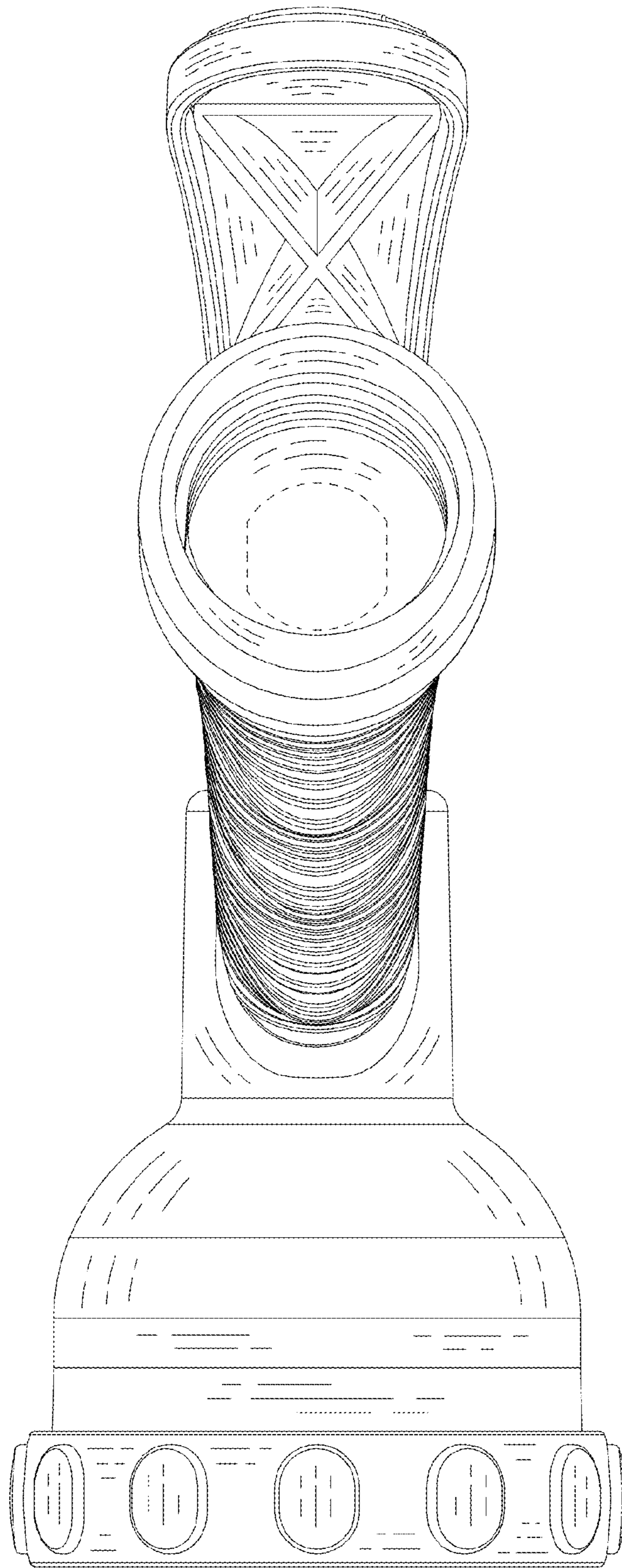


FIG.4

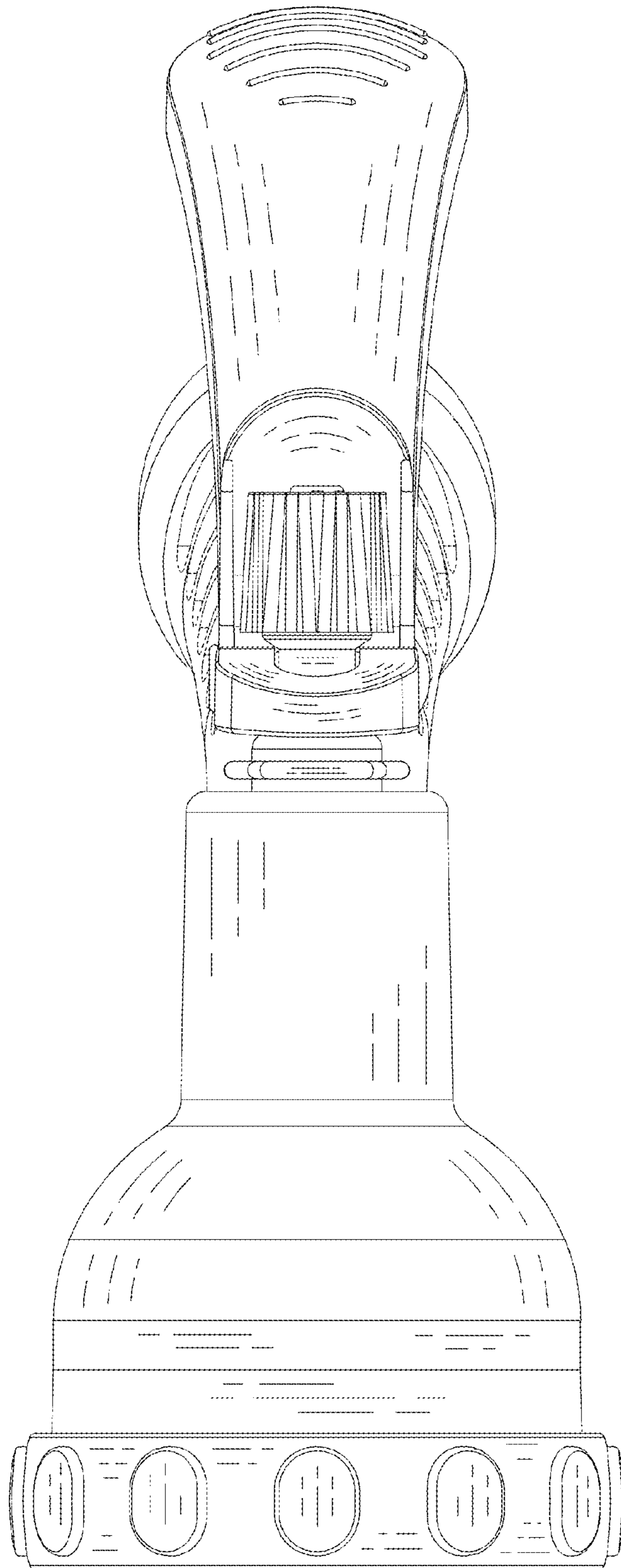


FIG.5

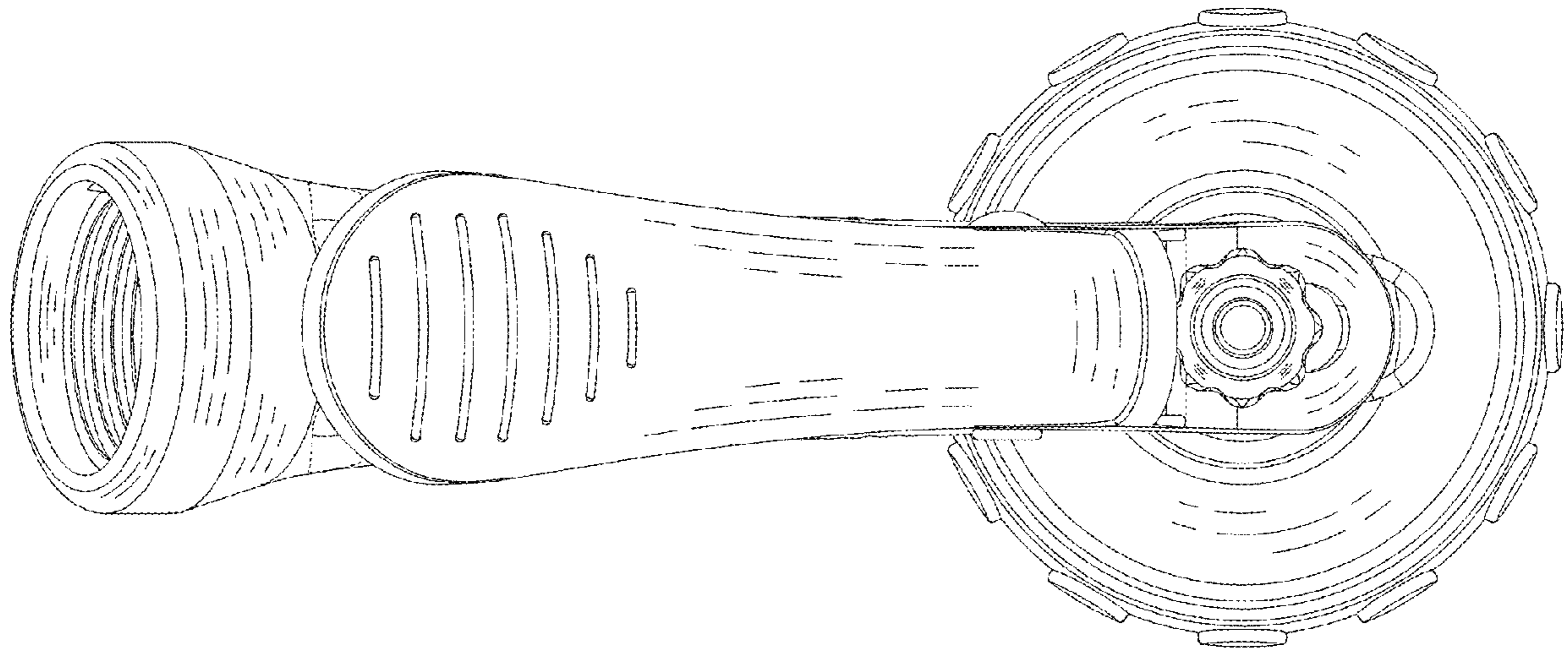


FIG.6

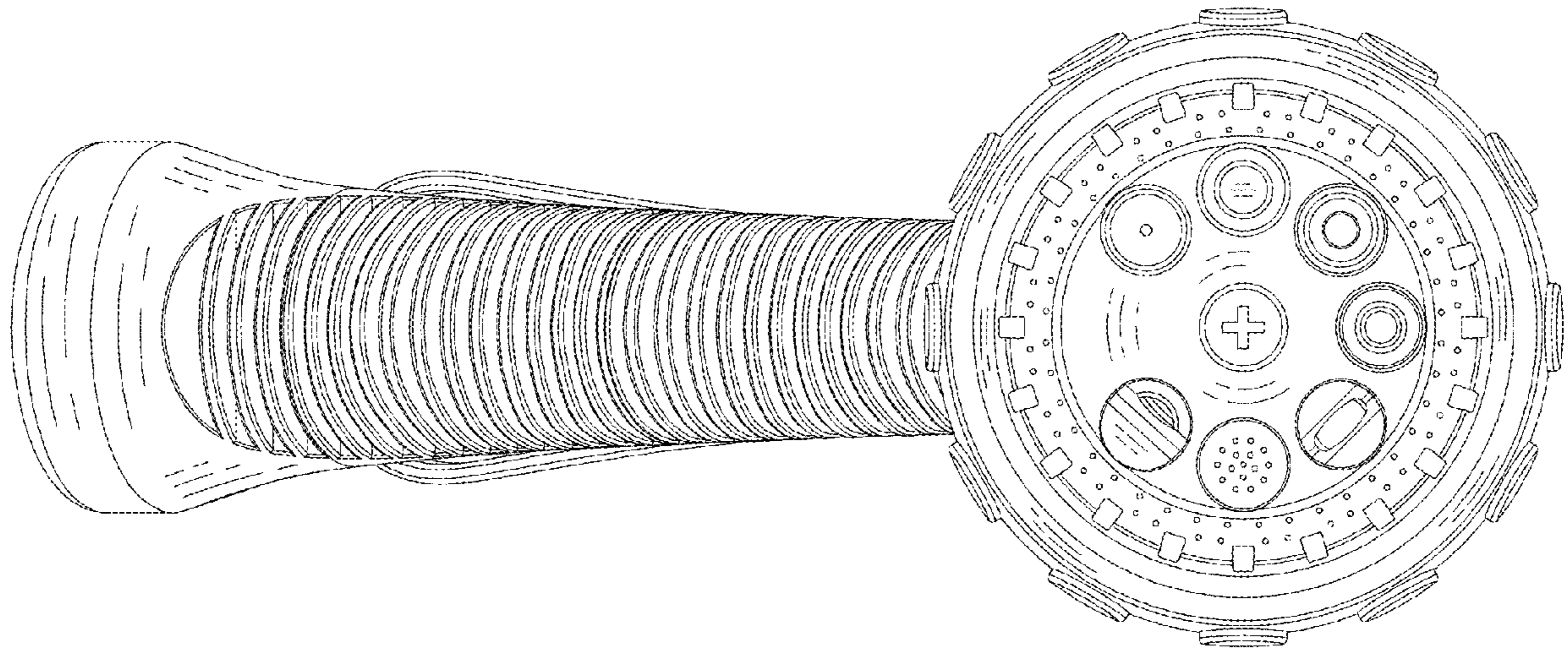


FIG. 7

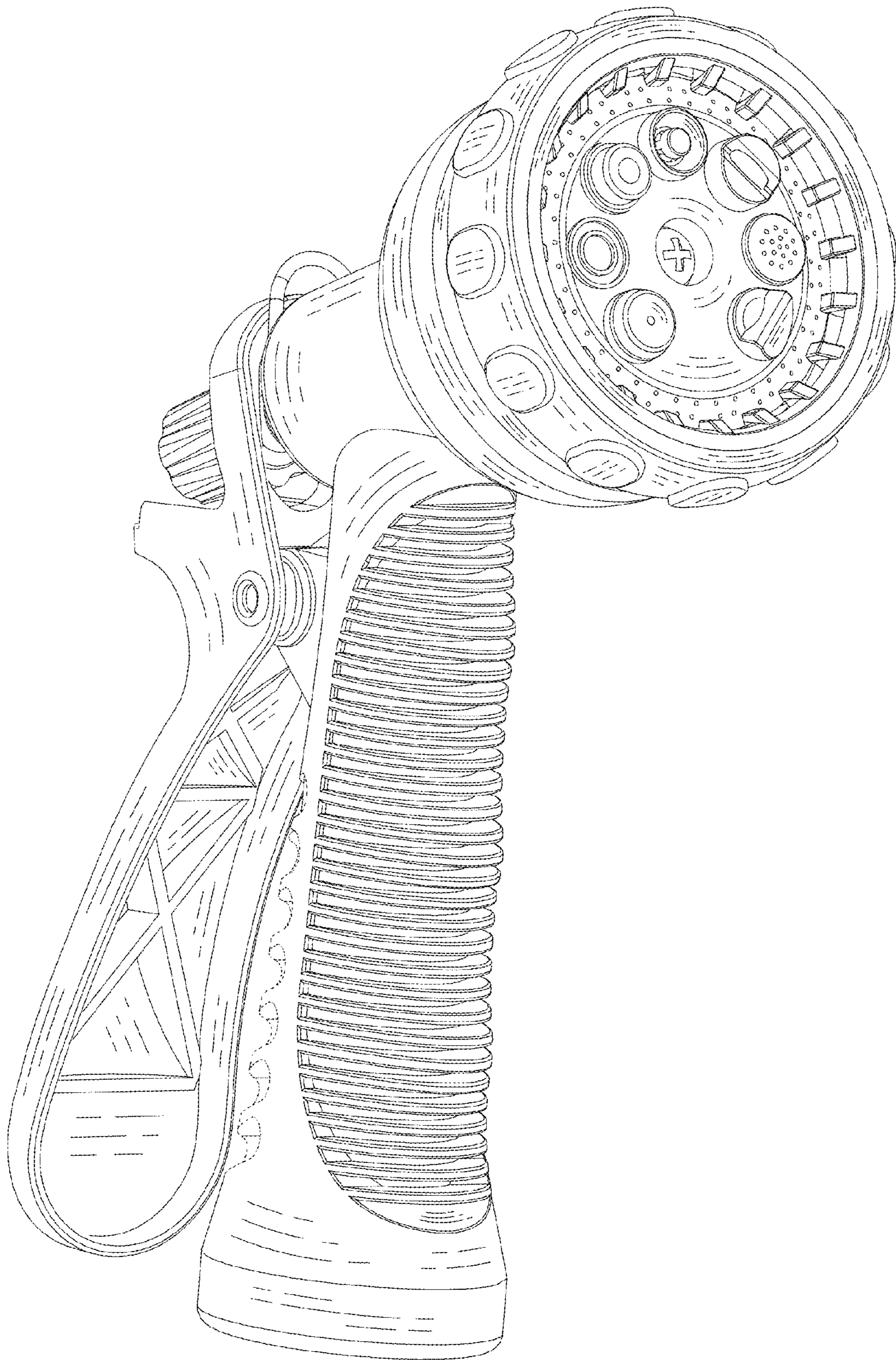


FIG.8