



US00D946709S

(12) **United States Design Patent**
Roehl

(10) **Patent No.:** **US D946,709 S**
(45) **Date of Patent:** **** Mar. 22, 2022**

(54) **DISPENSER GUN**
(71) Applicant: **Lutz Pumpen GmbH, Wertheim (DE)**
(72) Inventor: **Matthias Roehl, Erlenbach (DE)**
(73) Assignee: **Lutz Pumpen GmbH, Wertheim (DE)**
(**) Term: **15 Years**
(21) Appl. No.: **29/739,534**
(22) Filed: **Jun. 26, 2020**

3,929,175 A * 12/1975 Coone B67D 7/54
141/392
3,996,978 A * 12/1976 Rapaelian B67D 7/42
141/285
D350,386 S * 9/1994 Dotson D23/223
D355,704 S * 2/1995 Simpson D23/223
D359,100 S * 6/1995 Dotson D23/223
7,982,163 B2 * 7/2011 Chung F24H 3/0423
219/242
D650,047 S * 12/2011 Varini D23/226
D656,221 S * 3/2012 Gevers D23/226
(Continued)

(30) **Foreign Application Priority Data**

May 8, 2020 (EM) 007875935

(51) **LOC (13) Cl.** **23-01**
(52) **U.S. Cl.**
USPC **D23/226**

(58) **Field of Classification Search**
USPC D23/205, 206, 207, 213, 223, 225, 226,
D23/235, 356, 360; D15/9.1, 9.2
CPC .. B05B 5/025; B05B 5/03; B05B 5/16; B05B
5/1691; B05B 7/0018; B05B 7/0093;
B05B 7/02; B05B 7/06; B05B 7/062;
B05B 7/064; B05B 7/12; B05B 7/129;
B05B 7/24; B05B 7/2475; B05B 7/2478;
B05B 15/60; B05B 15/63; B05B 9/01;
B05B 12/085; B05B 12/1418; B67D
7/42; F04B 15/00; F04B 15/04

See application file for complete search history.

(56) **References Cited**

U.S. PATENT DOCUMENTS

2,169,794 A * 8/1939 Donovan B67D 7/42
141/96
D132,994 S * 7/1942 Neff D23/226
2,627,418 A * 2/1953 Ainsworth B67D 7/42
137/630.22
2,837,240 A * 6/1958 Boone B67D 7/48
222/43

OTHER PUBLICATIONS

Polypropylene PP Manual Fuel Transfer Nozzles, Mar. 26, 2019,
Amazon, site visited Sep. 20, 2021: <https://www.amazon.com/dp/B07Q28M579/> (Year: 2019).*

(Continued)

Primary Examiner — Jack Reickel
Assistant Examiner — Bobby W Jones, II
(74) *Attorney, Agent, or Firm* — Collard & Roe, P.C.

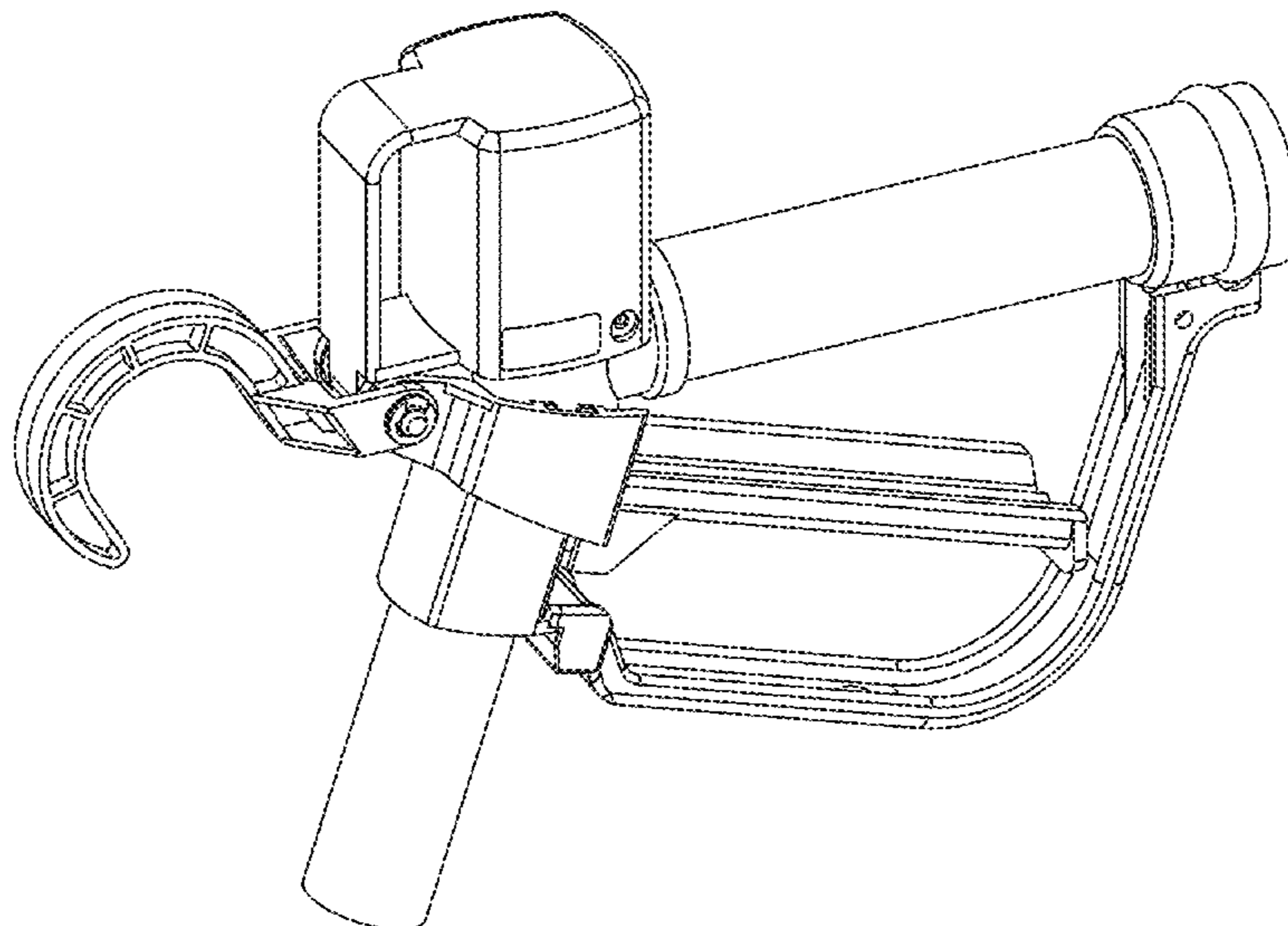
(57) **CLAIM**

The ornamental design for a dispenser gun, as shown and described.

DESCRIPTION

FIG. 1 is a rear and left side perspective view of a dispenser gun, showing my new design;
FIG. 2 is a left side view thereof;
FIG. 3 is a right side view thereof;
FIG. 4 is a front view thereof;
FIG. 5 is a rear view thereof;
FIG. 6 is a top view thereof; and,
FIG. 7 is a bottom view thereof.
The features shown in broken lines in FIG. 7 depict portions of the dispenser gun that form no part of the claimed design.

1 Claim, 7 Drawing Sheets



(56)

References Cited

U.S. PATENT DOCUMENTS

D831,158 S * 10/2018 Weh D23/226
D907,744 S * 1/2021 Roehl D23/226
D910,145 S * 2/2021 Roehl D23/213
2011/0232803 A1* 9/2011 Benscoter C12M 23/52
141/392
2013/0081738 A1* 4/2013 Fedde B67D 7/3236
141/311 R
2015/0298961 A1* 10/2015 Shelton B67D 7/42
222/1
2016/0201945 A1* 7/2016 Han F24H 3/0423
392/385

OTHER PUBLICATIONS

Heavy Duty Shut Off Nozzle, Feb. 8, 2018, Amazon, site visited
Sep. 20, 2021: <https://www.amazon.com/dp/B079NVGFQ4/> (Year:
2018).*

* cited by examiner

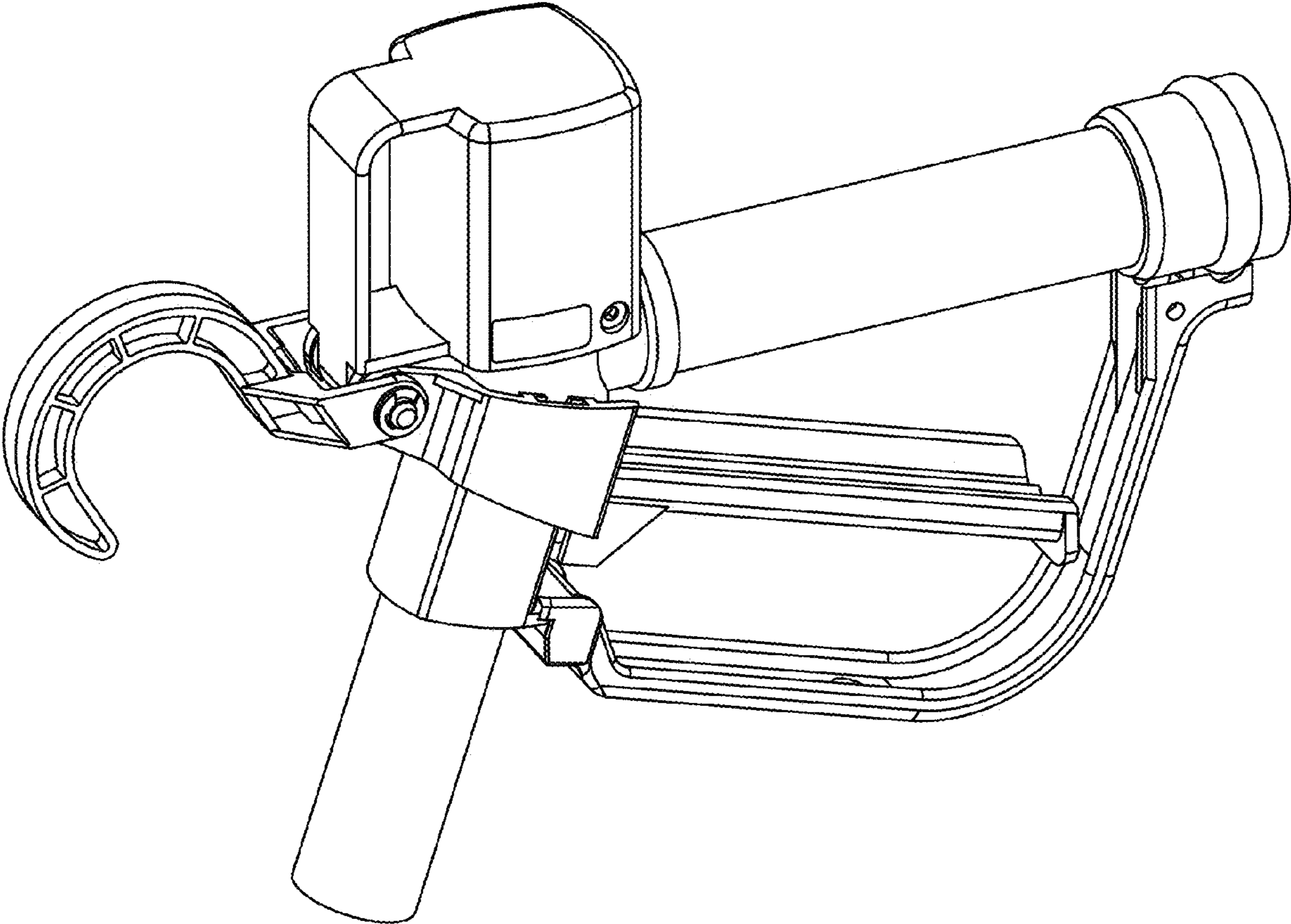


FIG. 1

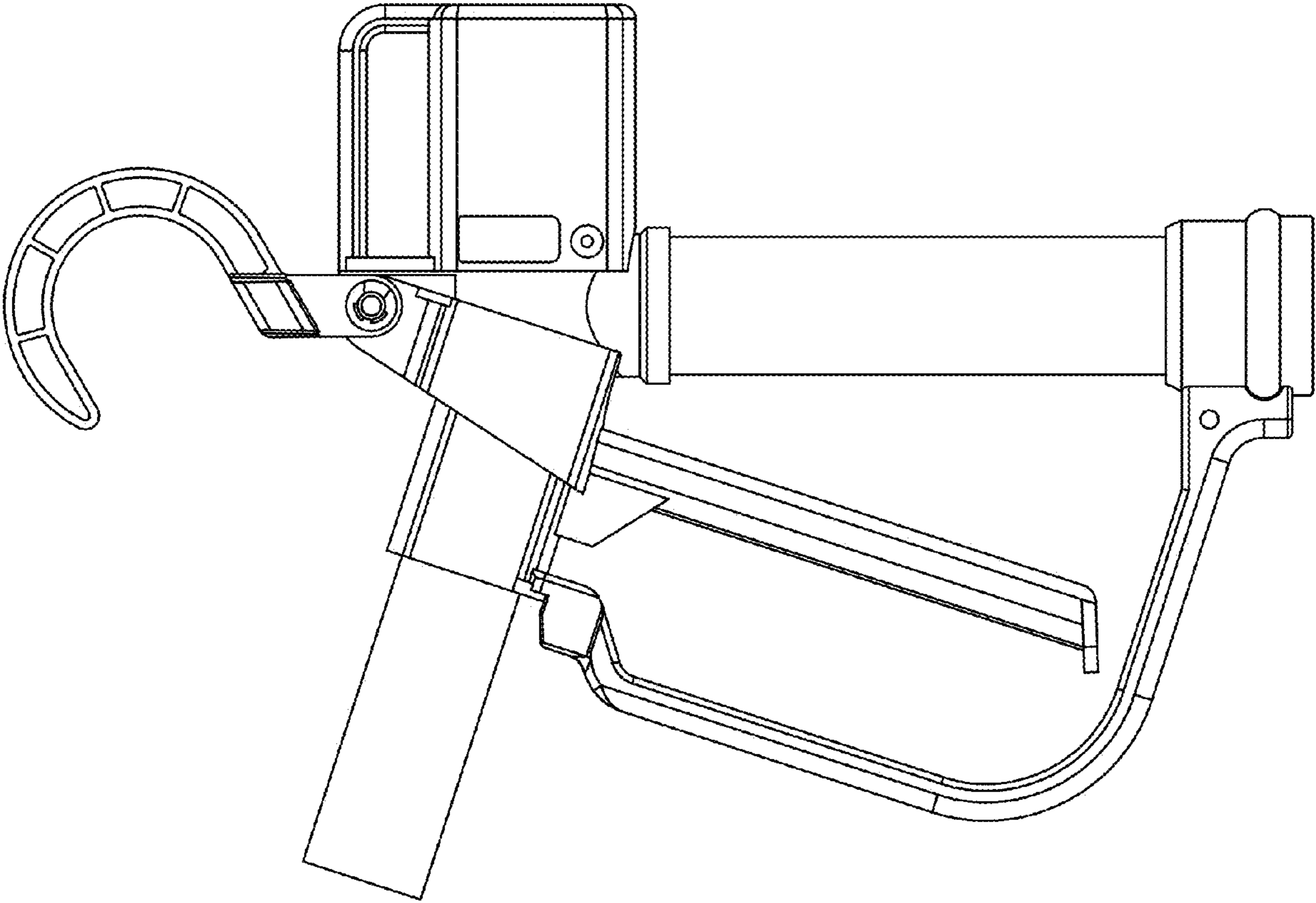


FIG. 2

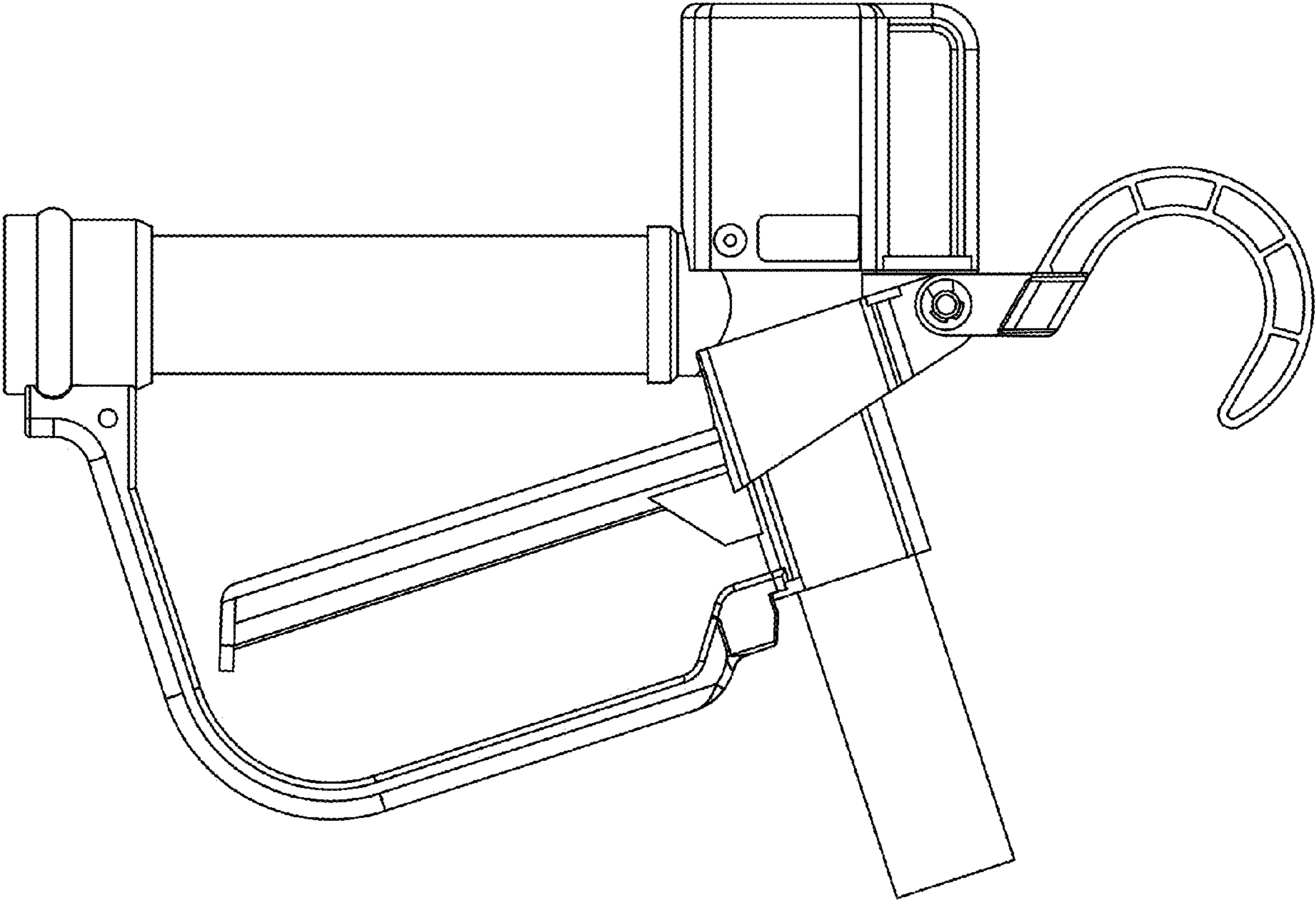


FIG. 3

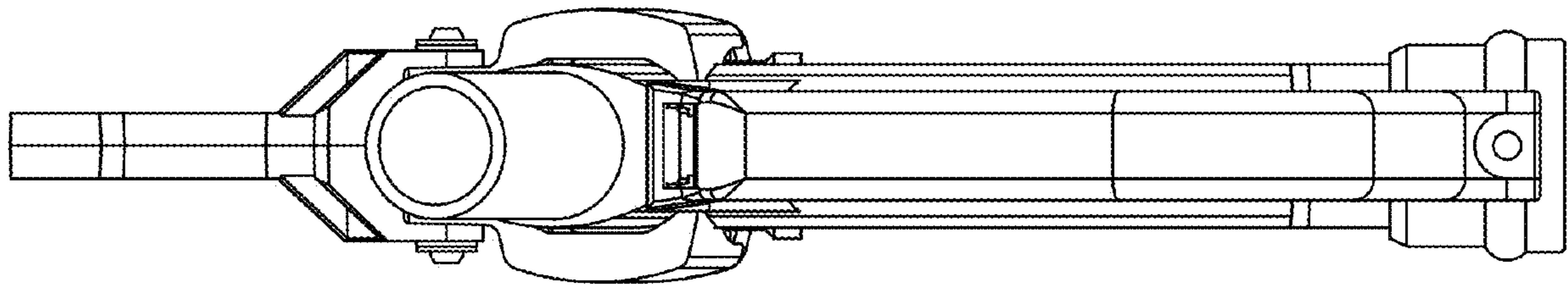


FIG. 4

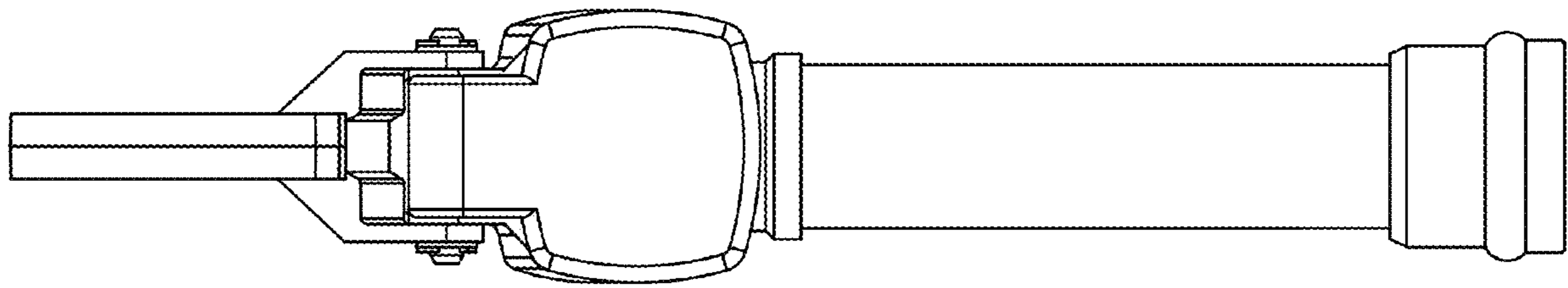


FIG. 5

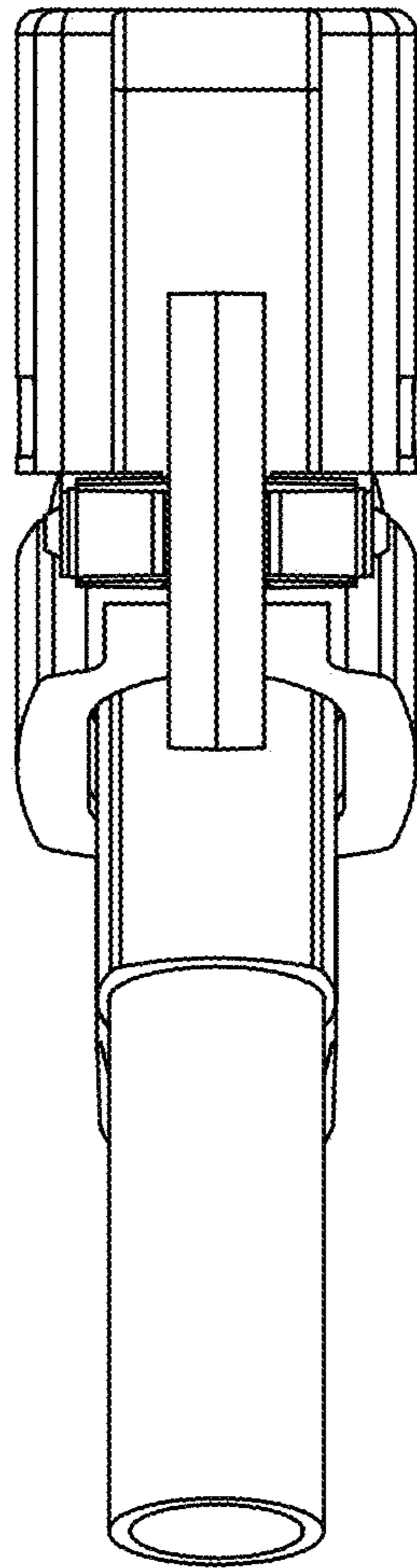


FIG. 6

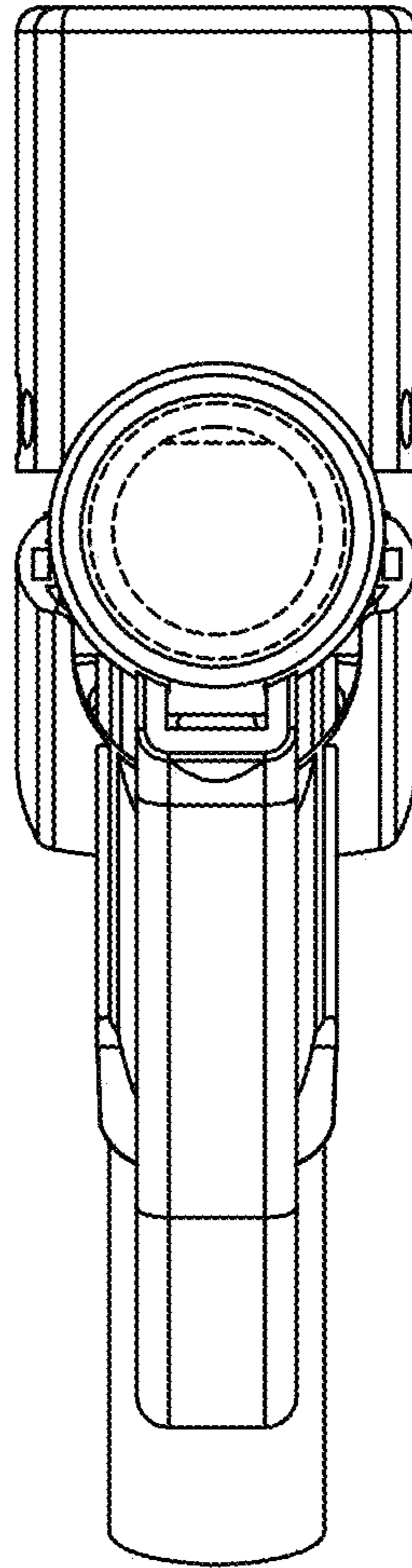


FIG. 7