

US00D946708S

(12) **United States Design Patent**  
**Stoler et al.**

(10) **Patent No.: US D946,708 S**

(45) **Date of Patent: \*\* Mar. 22, 2022**

(54) **FAUCET SPRAYHEAD**

(71) Applicant: **DELTA FAUCET COMPANY,**  
Indianapolis, IN (US)

(72) Inventors: **Benjamin David Stoler,** Carmel, IN  
(US); **Thad Eads,** Urbana, IN (US)

(73) Assignee: **DELTA FAUCET COMPANY,**  
Indianapolis, IN (US)

(\*\*) Term: **15 Years**

(21) Appl. No.: **29/723,367**

(22) Filed: **Feb. 6, 2020**

(51) **LOC (13) Cl. .... 23-01**

(52) **U.S. Cl.**  
USPC ..... **D23/226**

(58) **Field of Classification Search**  
USPC ..... D23/213, 223, 226, 228, 229, 230, 238,  
D23/239, 240, 241, 249  
CPC ..... B05B 1/16; B05B 1/1618; B05B 1/18;  
B05B 1/185; E03C 1/0405; E03C 1/06;  
E03C 1/063; E03C 1/066; E03C 1/084;  
E03C 2001/0415

See application file for complete search history.

(56) **References Cited**

**U.S. PATENT DOCUMENTS**

8,413,686 B2 \* 4/2013 Ko ..... E03C 1/0404  
137/801  
D758,552 S \* 6/2016 Rexach ..... D23/255  
9,707,572 B2 \* 7/2017 Erickson ..... B05B 1/1627  
D805,611 S \* 12/2017 Rexach ..... D23/226  
D844,109 S \* 3/2019 Rexach ..... D23/238  
D866,707 S \* 11/2019 Eads ..... D23/213

D867,525 S \* 11/2019 Eads ..... D23/213  
D870,234 S \* 12/2019 Judge ..... D23/213  
D870,852 S \* 12/2019 Eads ..... D23/238  
D873,380 S \* 1/2020 Judge ..... D23/238  
D873,960 S \* 1/2020 Fritz ..... D23/238  
2016/0136659 A1 \* 5/2016 Erickson ..... F16K 11/20  
239/443

**OTHER PUBLICATIONS**

Kohler K-99260, Aug. 27, 2016 Amazon, site visited Mar. 24, 2021:  
<https://www.amazon.com/dp/B01L3N3AEU/> (Year: 2016).\*  
Hoimpro H\_KTOF\_0019\_03\_BN, Oct. 11, 2019 Amazon, site  
visited Mar. 24, 2021: <https://www.amazon.com/dp/B07Z1MHNC6/>  
(Year: 2019).\*

\* cited by examiner

*Primary Examiner* — Jack Reickel

*Assistant Examiner* — Bobby W Jones, II

(74) *Attorney, Agent, or Firm* — Nirav D. Parikh; Edgar  
A. Zarins

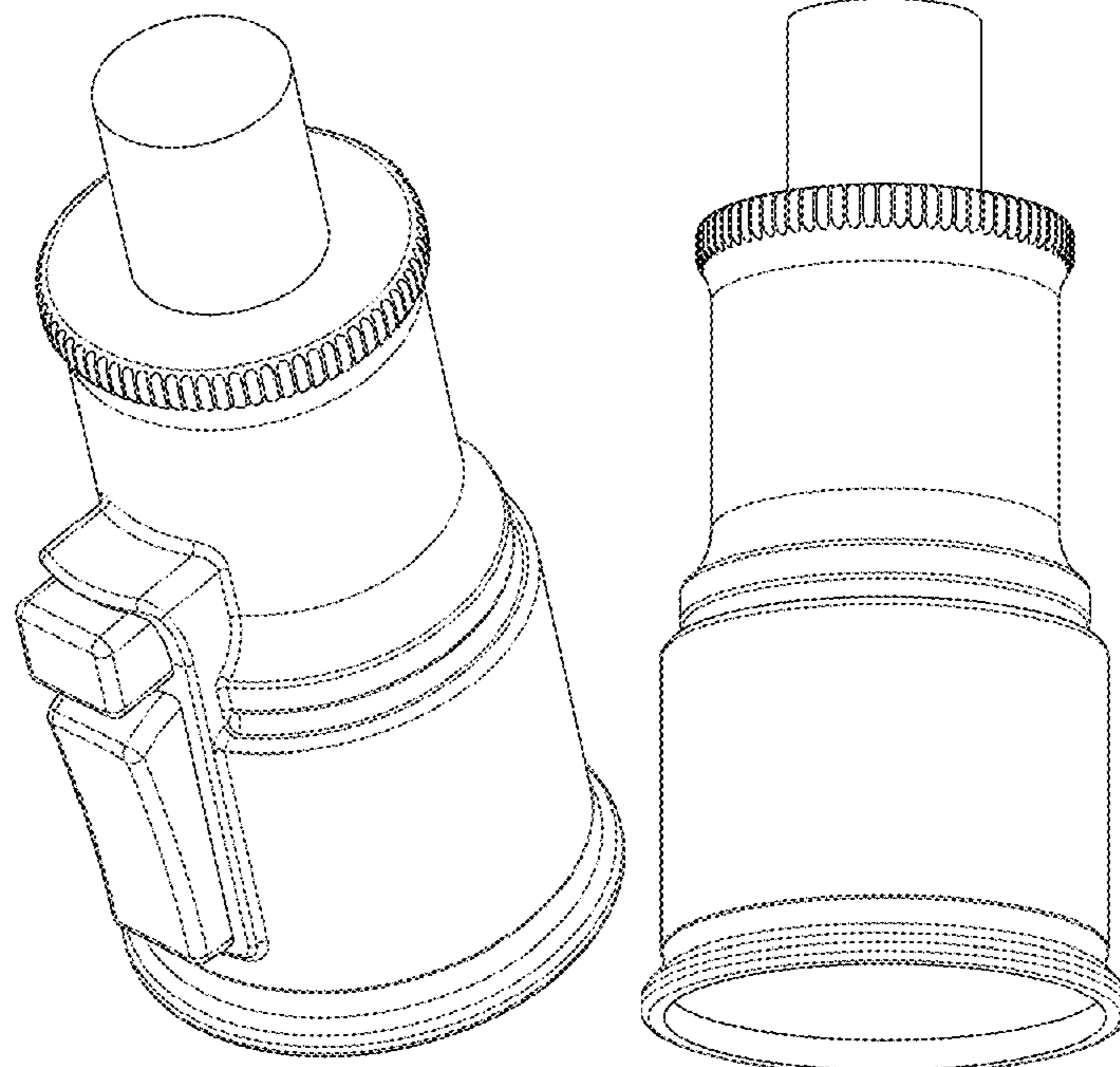
(57) **CLAIM**

The ornamental design for a faucet sprayhead, as shown and  
described.

**DESCRIPTION**

FIG. 1 is a front perspective view of a faucet sprayhead  
showing my new design;  
FIG. 2 is a rear perspective view thereof;  
FIG. 3 is another front perspective view thereof;  
FIG. 4 is a left side view thereof;  
FIG. 5 is another rear perspective view thereof;  
FIG. 6 is a right side view thereof;  
FIG. 7 is a top perspective view thereof; and,  
FIG. 8 is a bottom perspective view thereof.

**1 Claim, 4 Drawing Sheets**



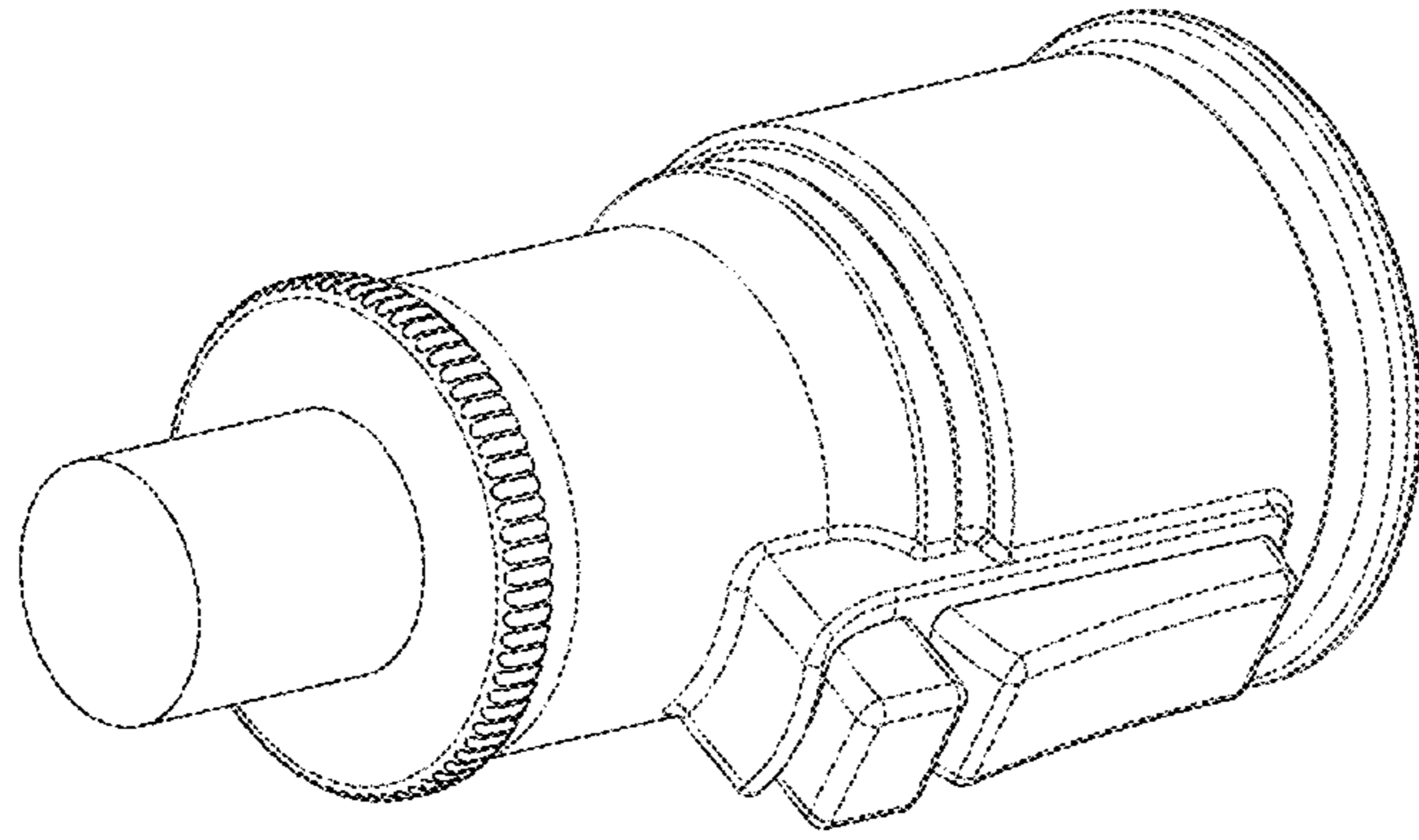


FIG - 2

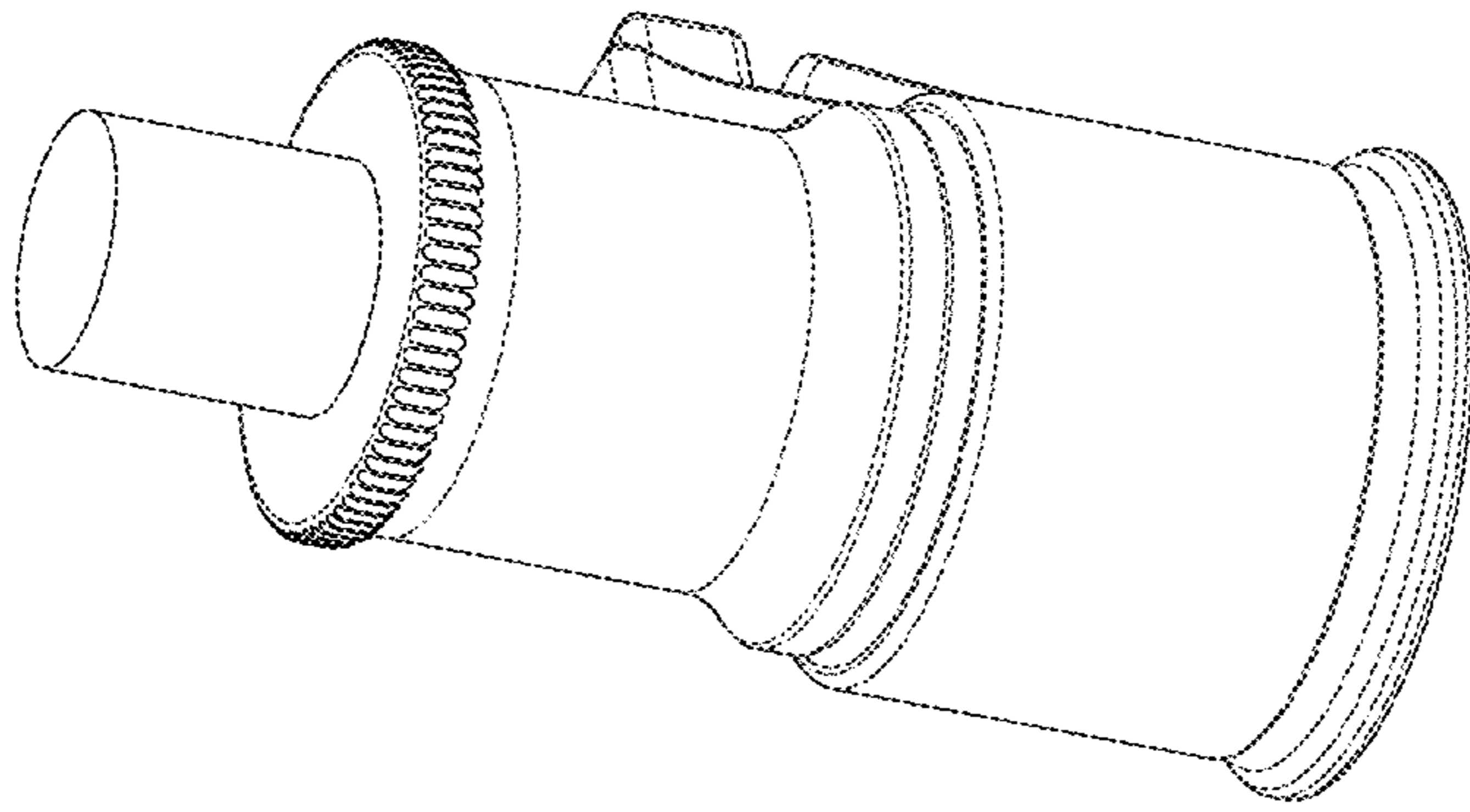


FIG - 1

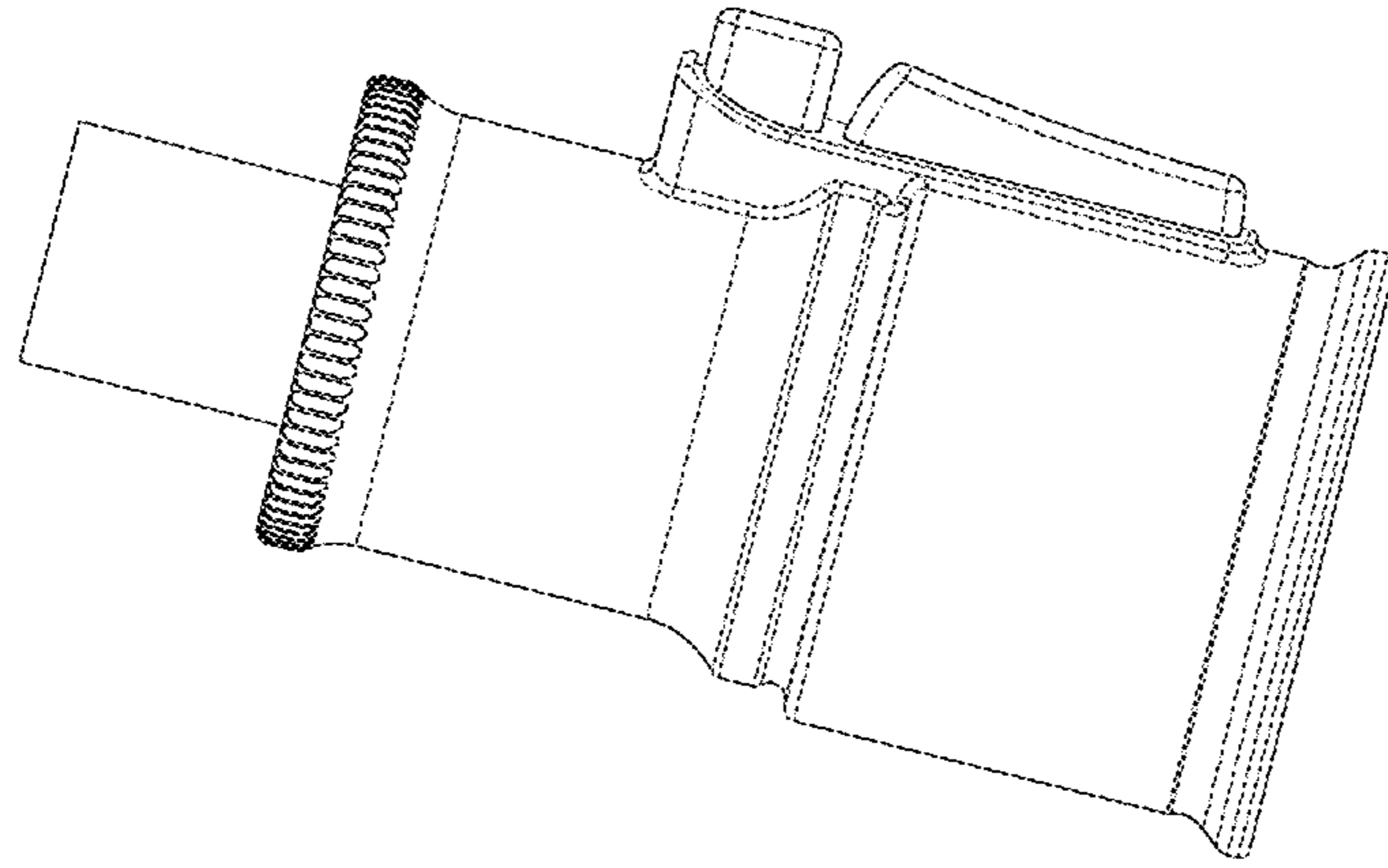


FIG - 4

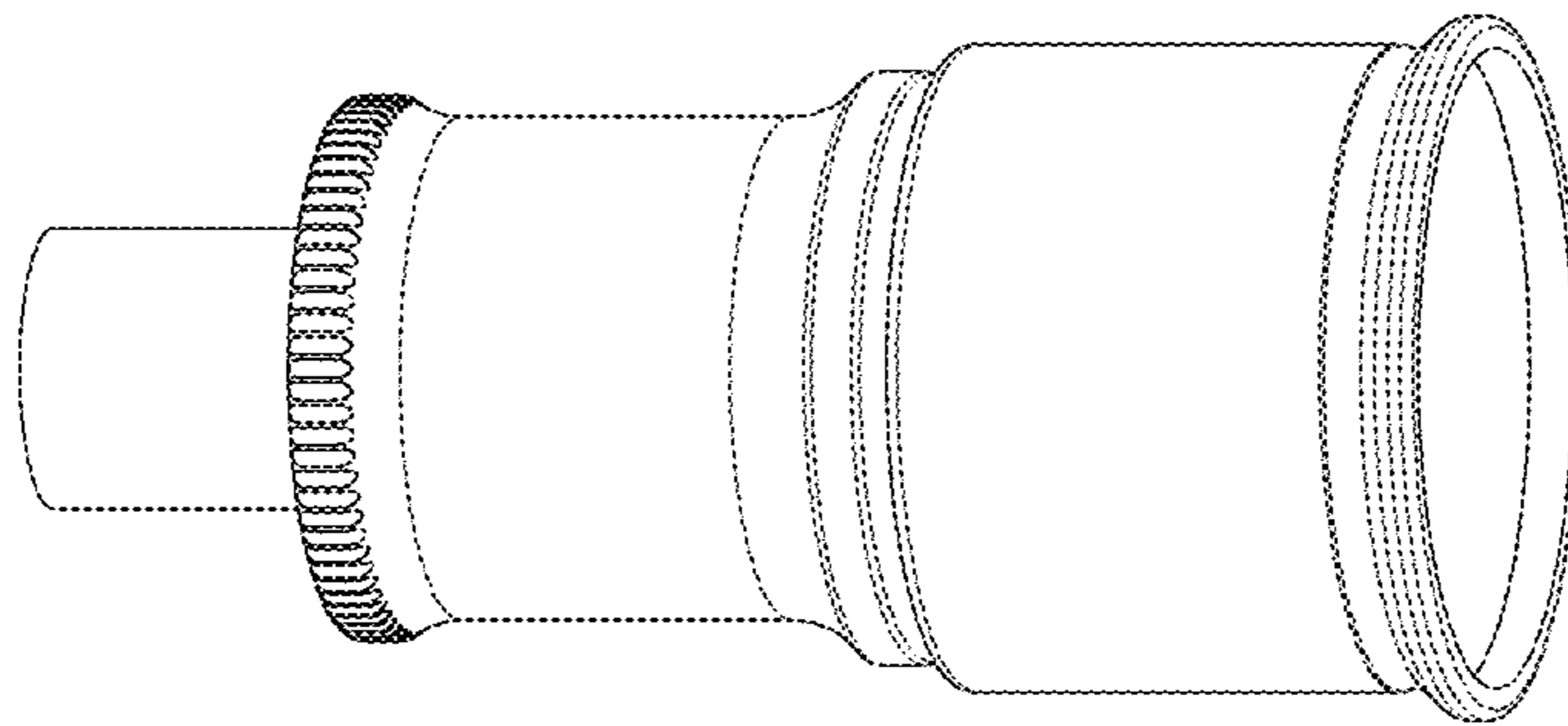


FIG - 3

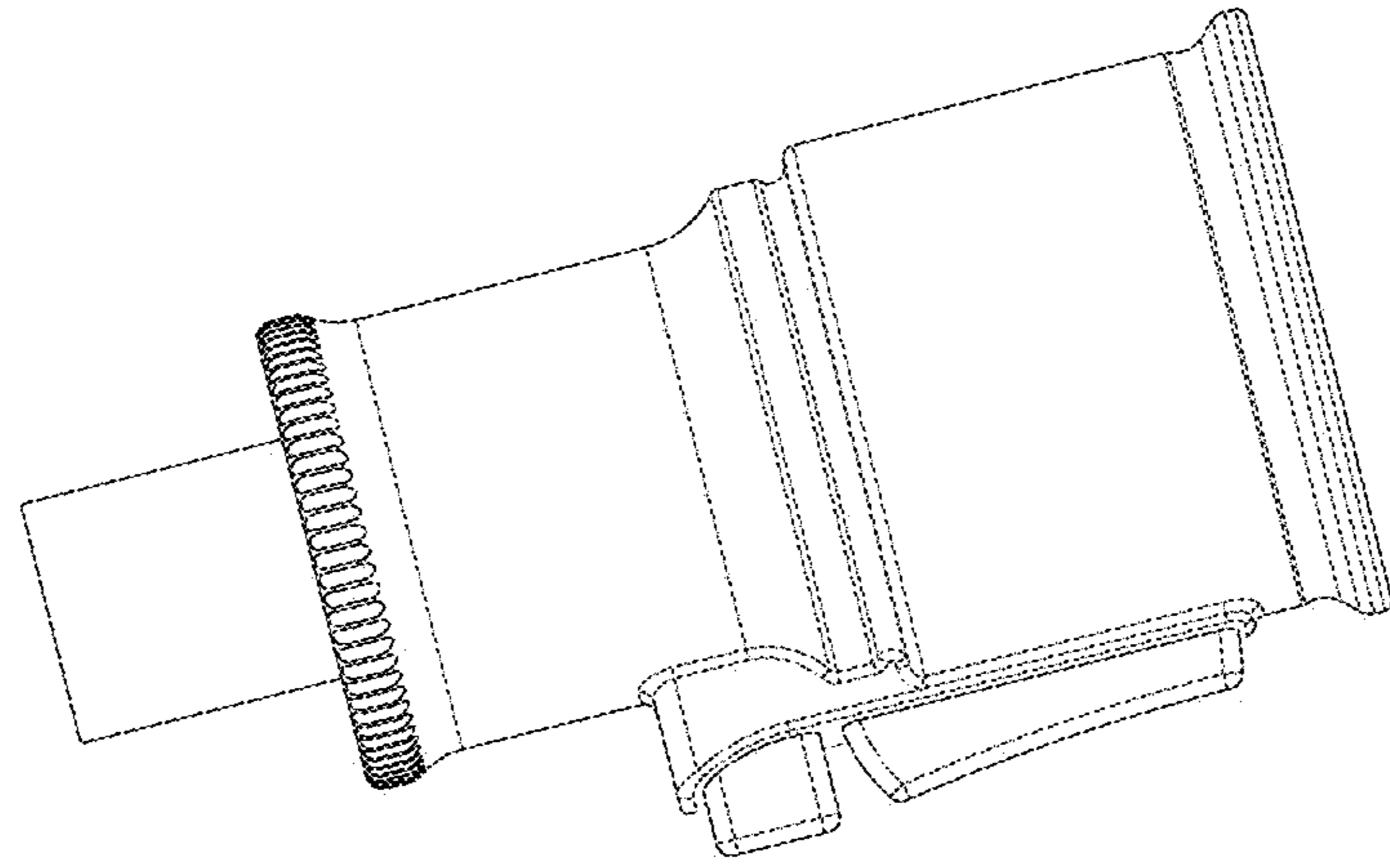


FIG - 6

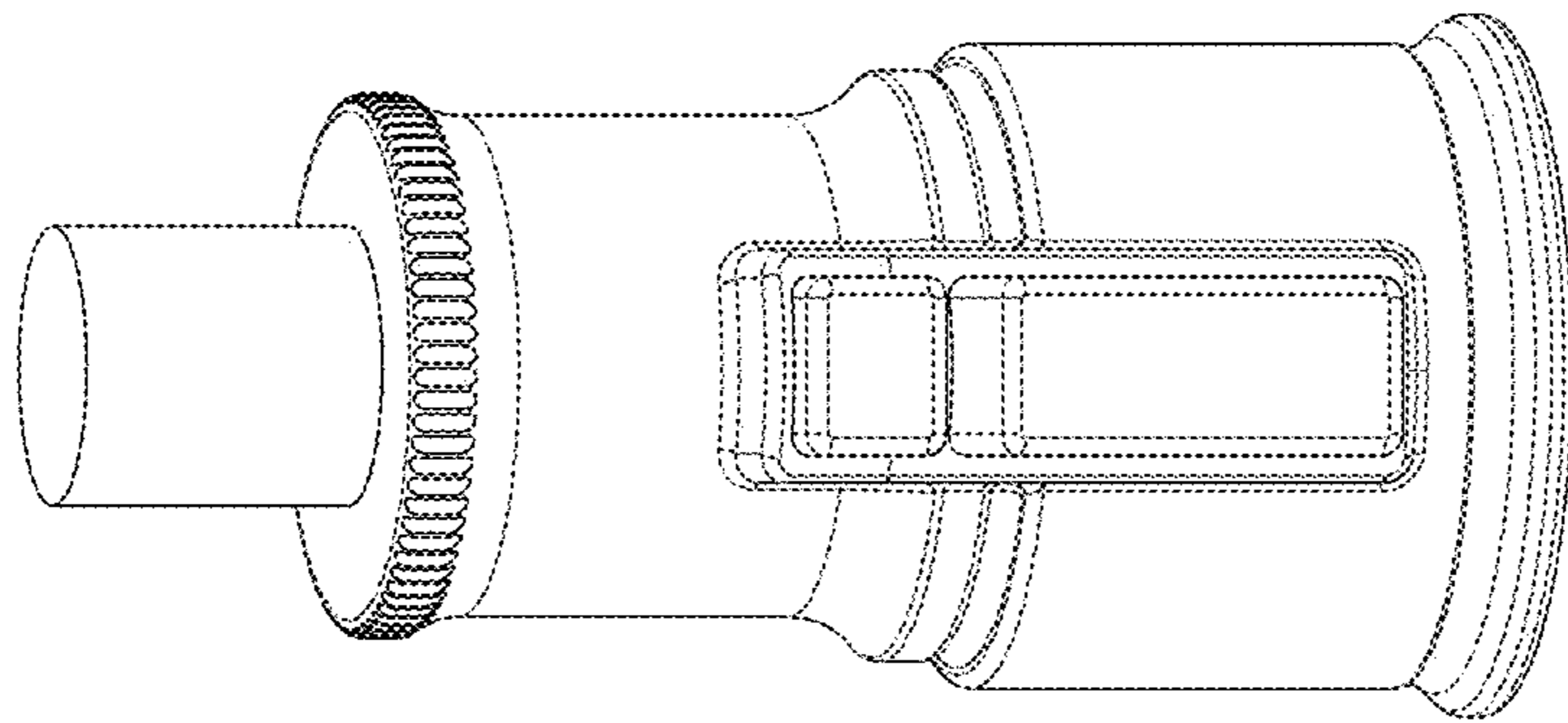


FIG - 5

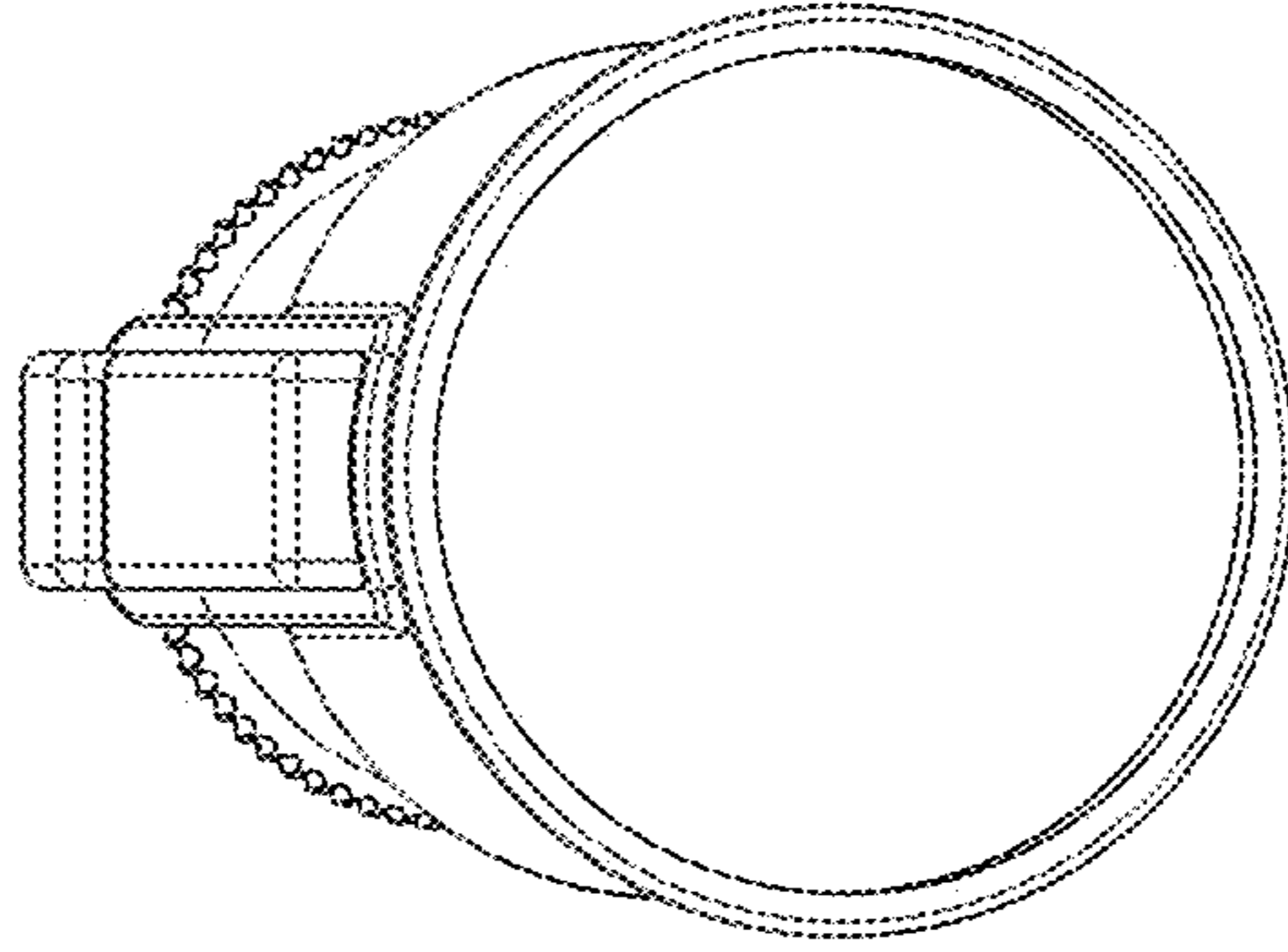


FIG - 8

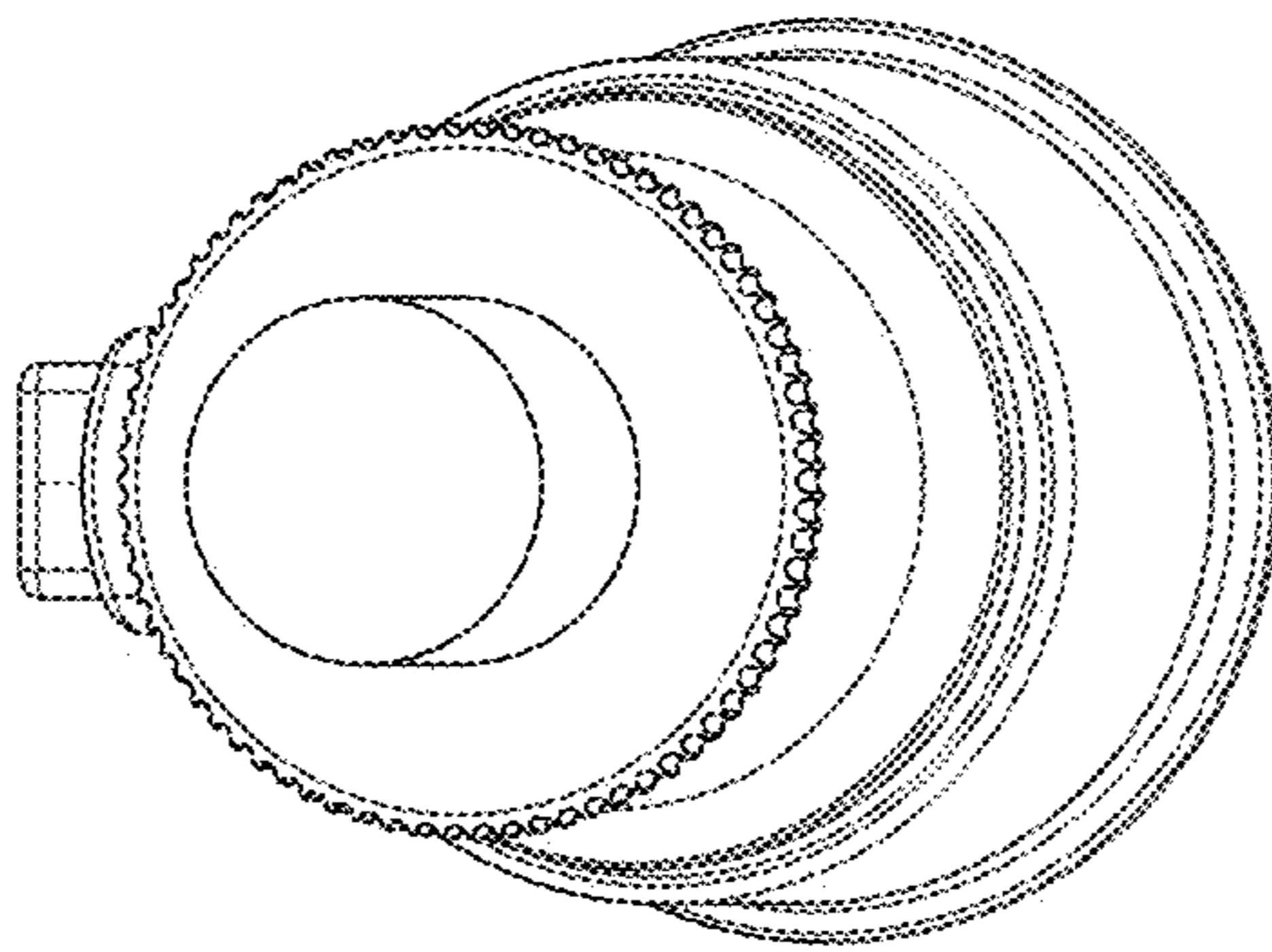


FIG - 7