



US00D946706S

(12) **United States Design Patent**  
**Matsunaga**

(10) **Patent No.:** **US D946,706 S**  
(45) **Date of Patent:** **\*\* Mar. 22, 2022**

(54) **NOZZLE**

(71) Applicant: **KOITO MANUFACTURING CO., LTD.**, Tokyo (JP)

(72) Inventor: **Takahiro Matsunaga**, Shizuoka (JP)

(73) Assignee: **KOITO MANUFACTURING CO., LTD.**, Tokyo (JP)

(\*\*) Term: **15 Years**

(21) Appl. No.: **29/760,846**

(22) Filed: **Dec. 4, 2020**

(30) **Foreign Application Priority Data**

Jun. 9, 2020 (JP) ..... 2020-011426 D

(51) **LOC (13) Cl.** ..... **23-01**

(52) **U.S. Cl.**  
USPC ..... **D23/213**

(58) **Field of Classification Search**  
USPC ..... D23/213, 214, 215, 223, 224, 226, 229, D23/230

CPC ..... A61H 9/0021; A61H 33/00; B05B 1/00; B05B 1/14; B05B 1/185; B05B 1/08; B05B 1/02; B05B 1/26; B05B 12/002; B05B 1/18; B05B 9/01

See application file for complete search history.

(56) **References Cited**

**U.S. PATENT DOCUMENTS**

- D240,264 S \* 6/1976 MacLaren ..... D23/213
- D469,847 S \* 2/2003 Schroeder ..... D23/213
- D497,407 S \* 10/2004 Mather ..... D23/213
- D532,864 S \* 11/2006 Mather ..... D23/213
- 7,708,211 B2 \* 5/2010 Maier ..... B05C 17/00516  
239/456
- D714,906 S \* 10/2014 Williams ..... D23/213
- D723,136 S \* 2/2015 Roberts ..... D23/213

- D723,657 S \* 3/2015 Lee ..... D23/213
- D724,695 S \* 3/2015 Wright ..... D23/213
- D745,118 S \* 12/2015 Kenney ..... D23/262
- D758,531 S \* 6/2016 Williams ..... D23/213
- D774,163 S \* 12/2016 Solakian ..... D23/213
- D806,149 S \* 12/2017 Williams ..... D15/138
- D837,343 S \* 1/2019 Nikles ..... D23/213
- D837,933 S \* 1/2019 Carroll ..... D23/213

**OTHER PUBLICATIONS**

Chapin 3-6001 Brass Fan Spray Sprayer Nozzle, Aug. 31, 2021, amazon.com, 11/3/ <https://www.amazon.com/Chapin-3-6001-Brass-Sprayer-Nozzle/dp/B0006T6EGO/> (Year: 2012).\*

Barrel Washer Spinning Head, Sep. 28, 2018, morebeer.com, Nov. 3, 2021, URL: <https://www.morebeer.com/products/barrel-washer-spinning-head.html> (Year: 2018).\*

\* cited by examiner

*Primary Examiner* — Jack Reickel  
*Assistant Examiner* — Keith J Wilson  
(74) *Attorney, Agent, or Firm* — Buchanan Ingersoll & Rooney PC

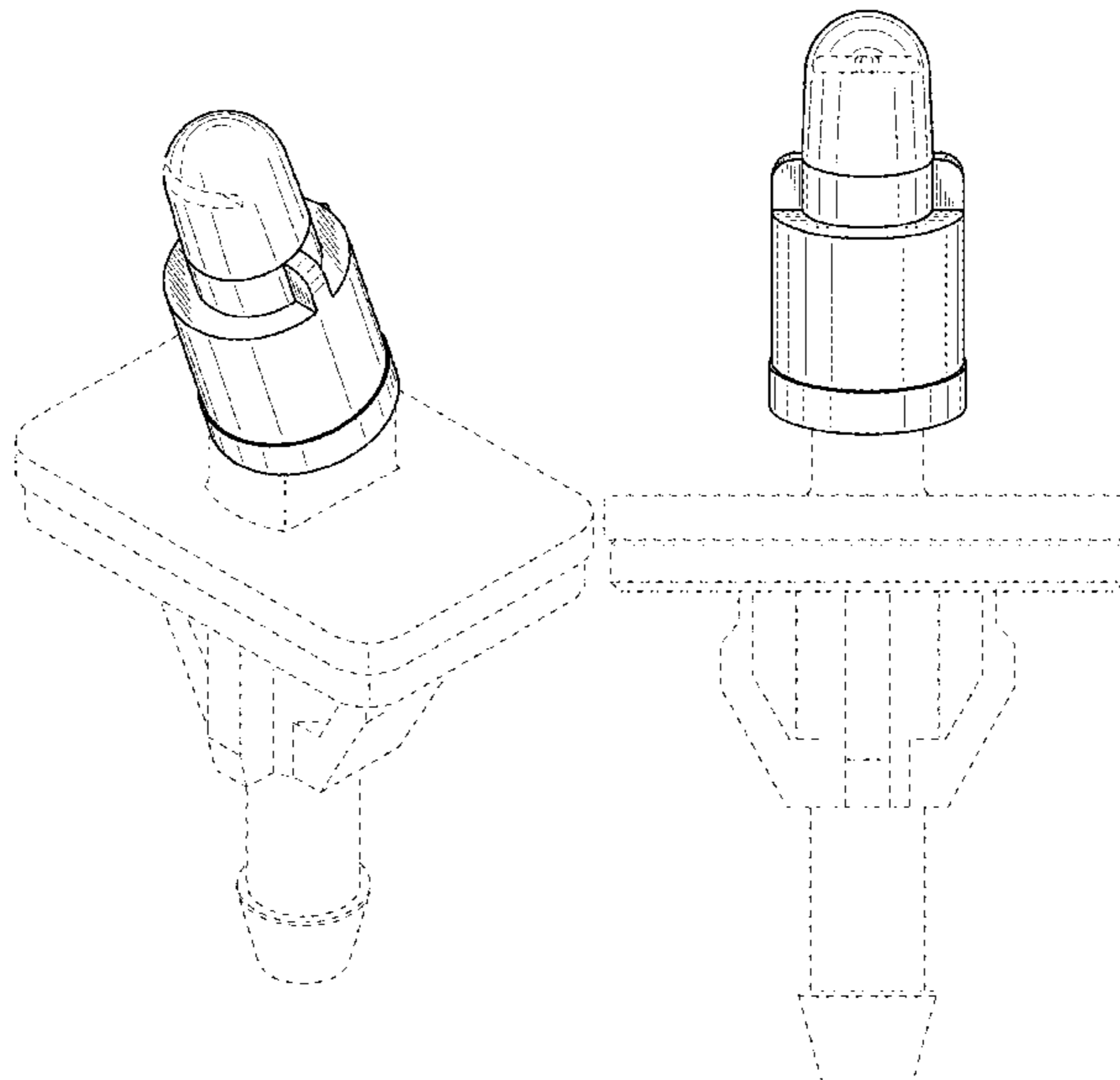
(57) **CLAIM**

The ornamental design for a nozzle, as shown and described.

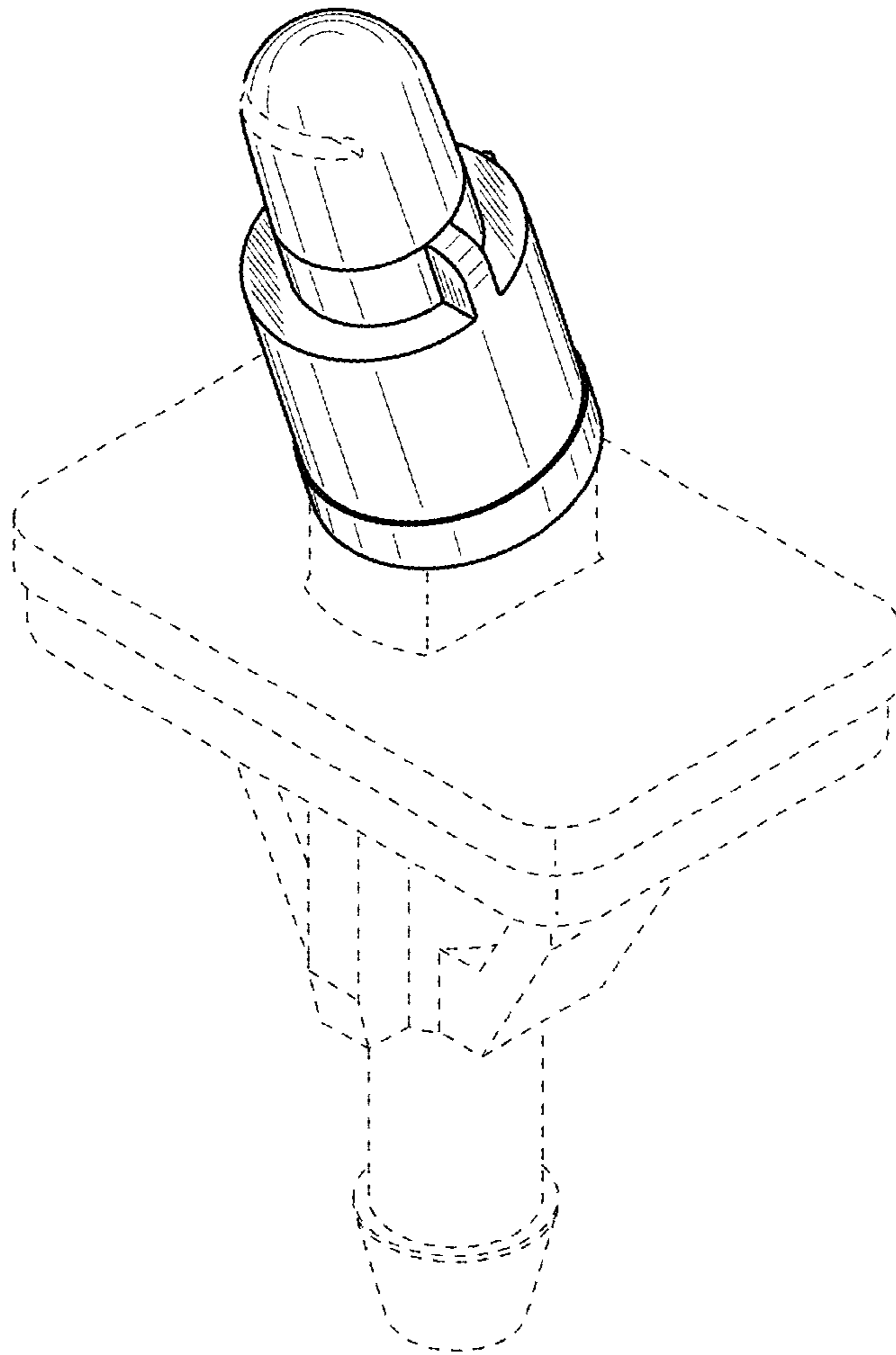
**DESCRIPTION**

FIG. 1 is a front, top and right perspective view of a nozzle showing my new design.  
FIG. 2 is a rear, bottom and left perspective view thereof.  
FIG. 3 is a front elevational view thereof.  
FIG. 4 is a rear elevational view thereof.  
FIG. 5 is a top plan view thereof.  
FIG. 6 is a bottom plan view thereof.  
FIG. 7 is a right side elevational view thereof; and,  
FIG. 8 is a left side elevational view thereof.  
The broken line showings of portions of the nozzle form no part of the claimed design.

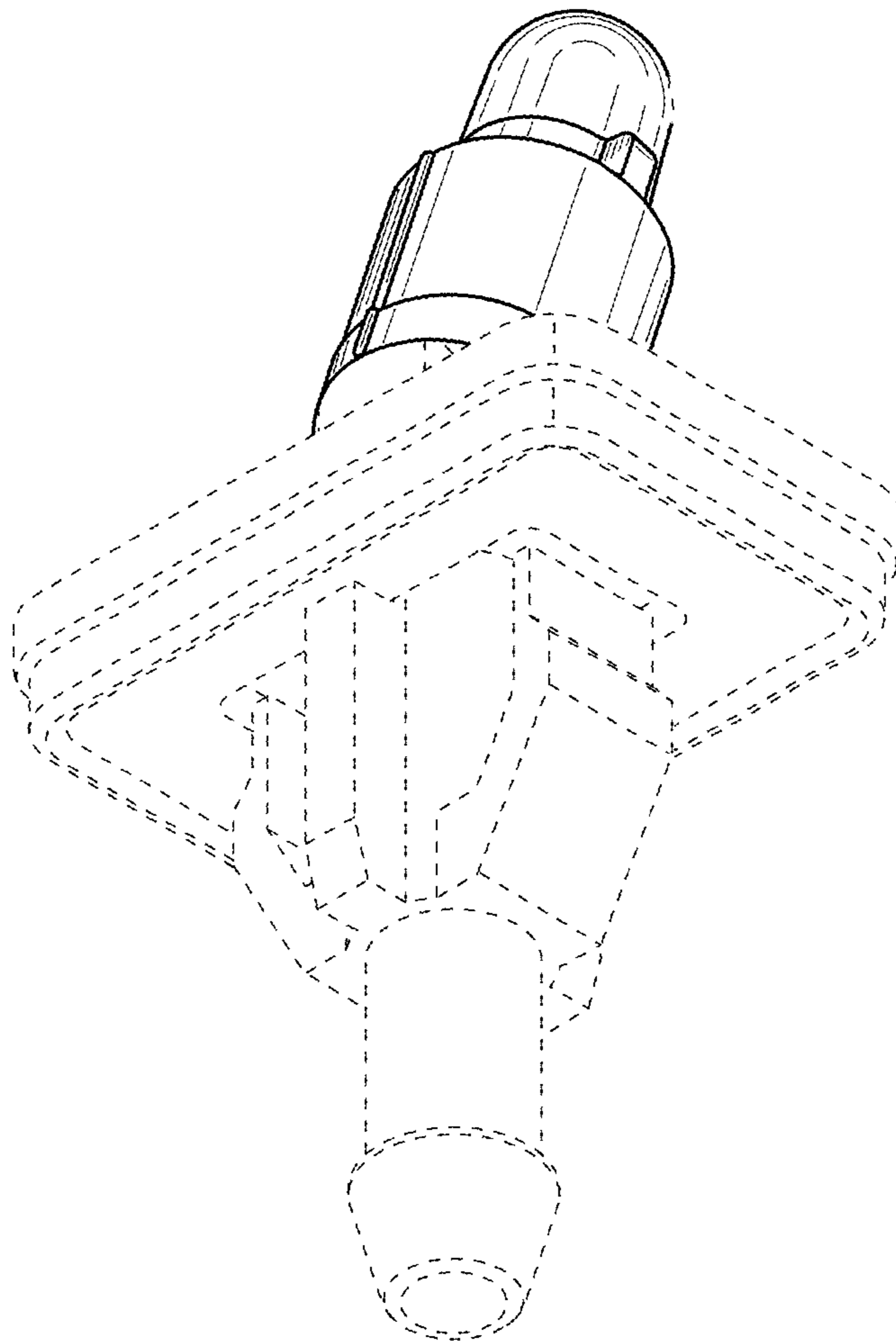
**1 Claim, 8 Drawing Sheets**



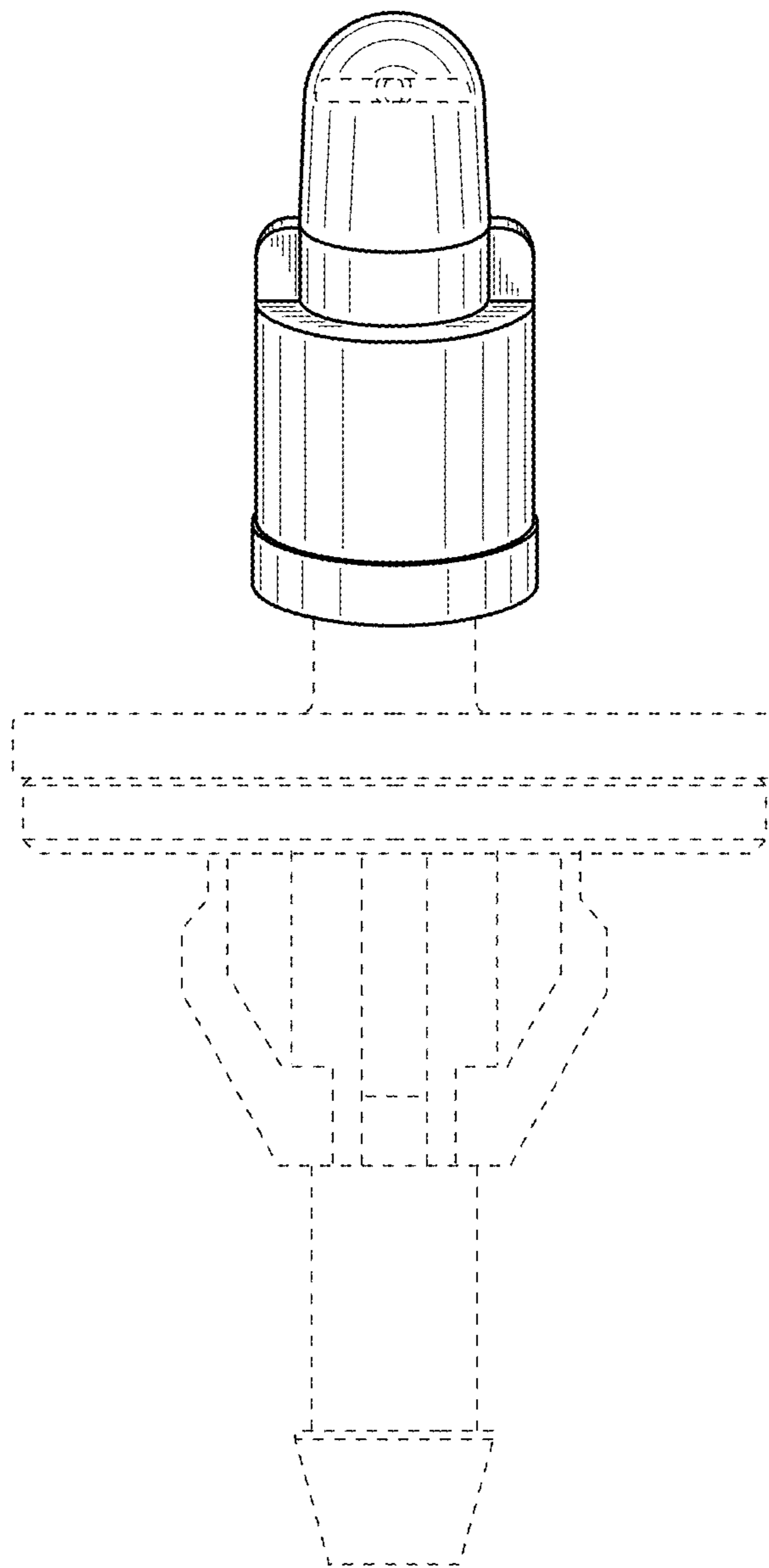
***FIG. 1***



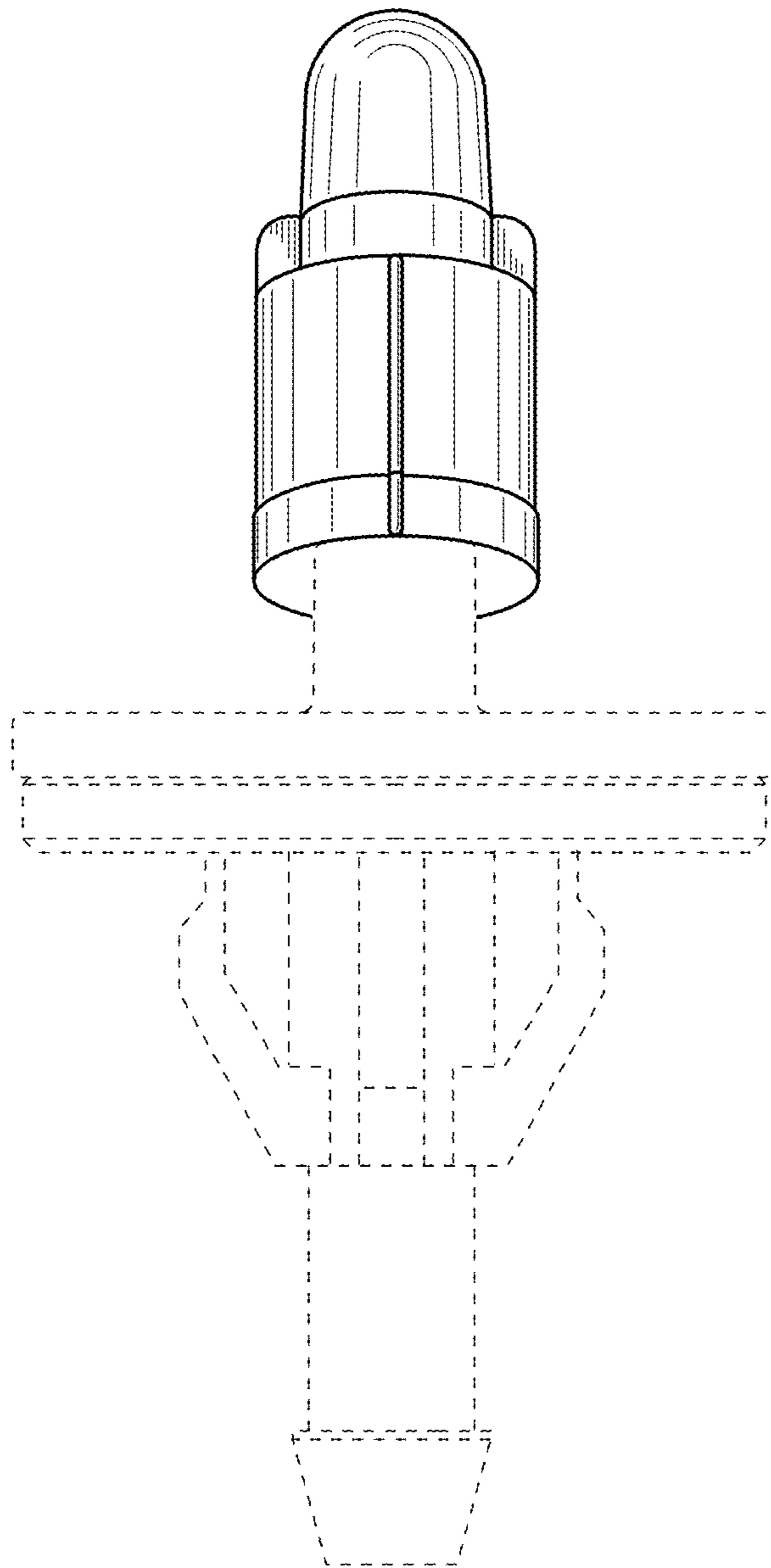
**FIG. 2**



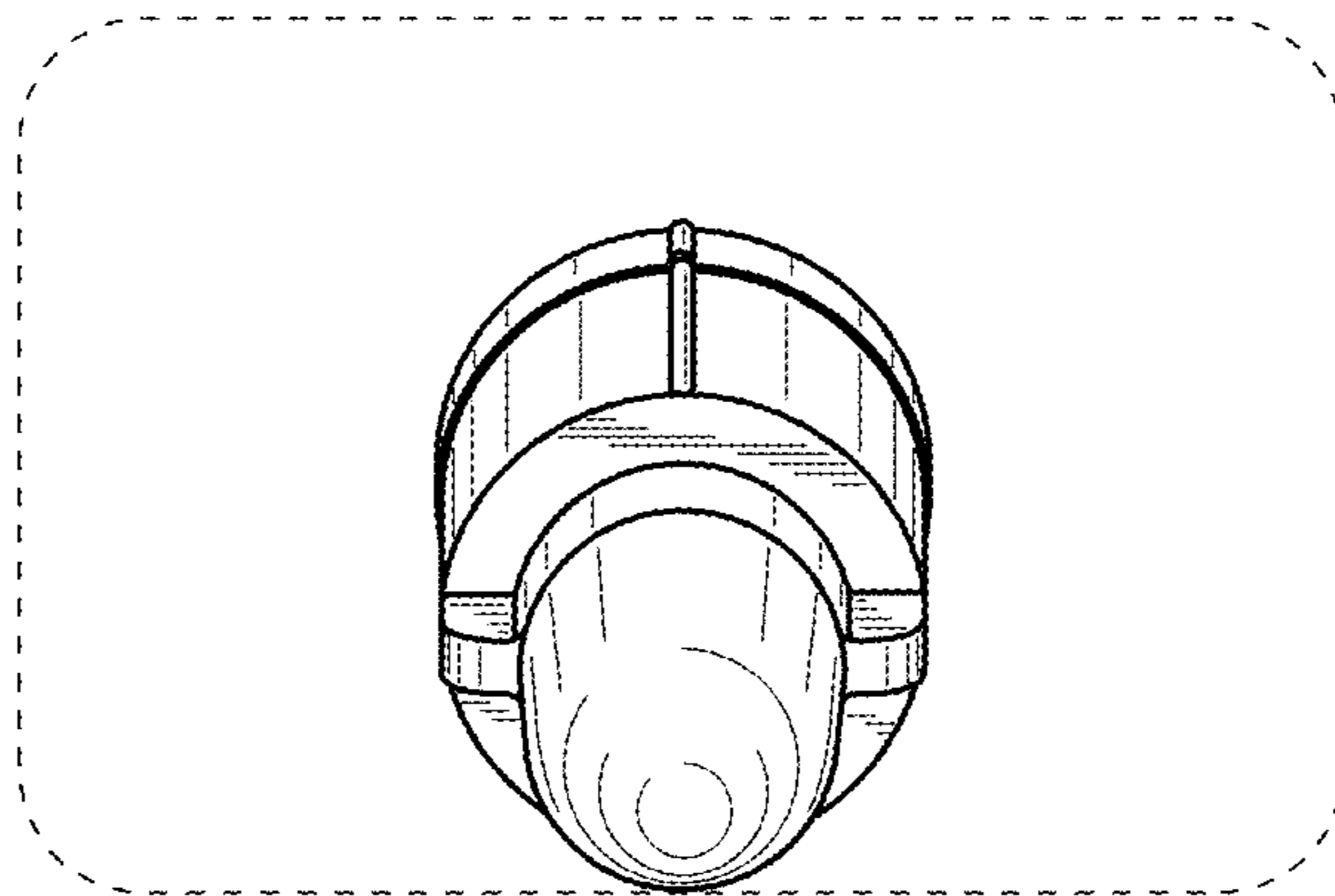
***FIG. 3***



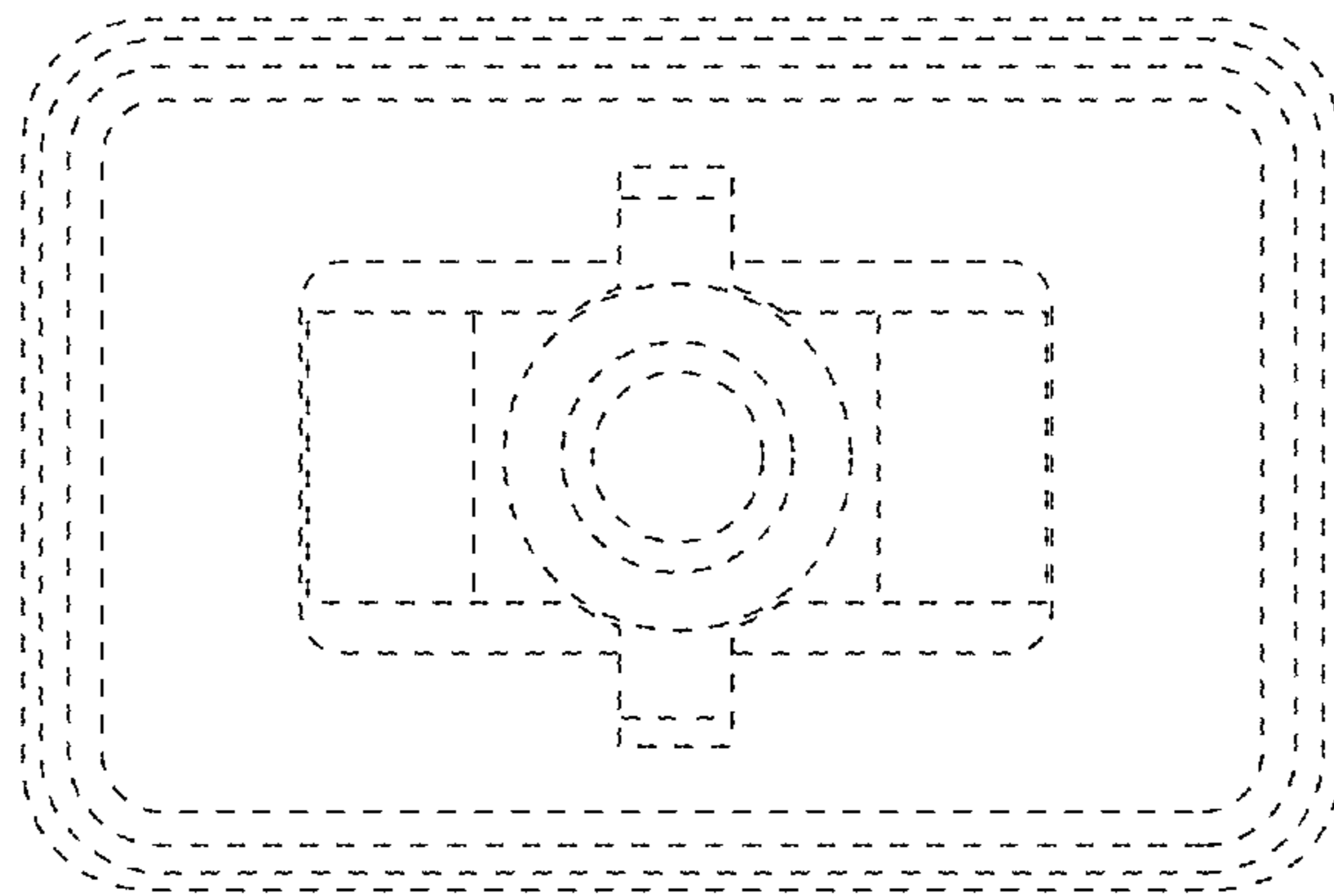
***FIG. 4***



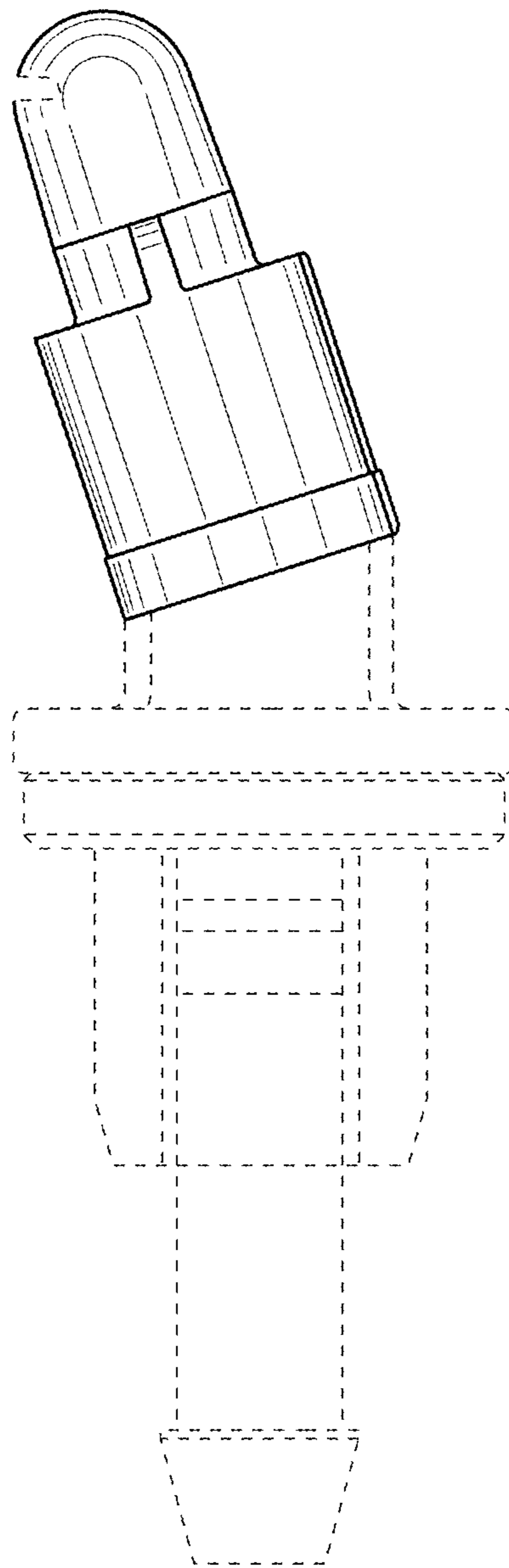
***FIG. 5***



***FIG. 6***



**FIG. 7**





**FIG. 8**

