



US00D946698S

(12) **United States Design Patent** (10) **Patent No.:** **US D946,698 S**  
**Deng** (45) **Date of Patent:** **\*\* Mar. 22, 2022**

(54) **WATER PURIFICATION PIPE**  
(71) Applicant: **Guoliang Deng, Zhangjiajie (CN)**  
(72) Inventor: **Guoliang Deng, Zhangjiajie (CN)**  
(\*\*) Term: **15 Years**

D855,881 S \* 8/2019 Hawes ..... D27/194  
D858,690 S \* 9/2019 Fenton ..... D23/207  
D888,194 S 6/2020 Cordova et al.  
D893,673 S \* 8/2020 Wei ..... C02F 1/002  
D23/209

(Continued)

(21) Appl. No.: **29/781,265**  
(22) Filed: **Apr. 29, 2021**  
(51) **LOC (13) Cl.** ..... **23-01**  
(52) **U.S. Cl.**  
USPC ..... **D23/207**  
(58) **Field of Classification Search**  
USPC .... D23/207, 209, 211.2, 222, 233, 262–266;  
D27/167, 169, 194  
CPC ..... B01D 2201/29; B01D 2201/03; B01D  
2201/301; B01D 2201/302; B01D  
2201/306; B01D 2201/309; B01D 35/30;  
C02F 1/002; C02F 1/003  
See application file for complete search history.

FOREIGN PATENT DOCUMENTS

CN 306293397 \* 7/2020  
CN 306398630 \* 11/2020

OTHER PUBLICATIONS

Lifestraw filter straw Nov. 17, 2021 Filter found on Jan. 21, 2022  
at <https://www.amazon.com/LifeStraw-Personal-Camping-Emergency-Preparedness/dp/B006QF3TW4/> (Year: 2021).\*

(Continued)

*Primary Examiner* — Karen S Acker  
*Assistant Examiner* — Jonathan E Fiencke

(56) **References Cited**

U.S. PATENT DOCUMENTS

D432,622 S \* 10/2000 Thompson ..... D23/209  
D441,421 S \* 5/2001 Aldred ..... D23/209  
8,216,462 B2 \* 7/2012 O'Brien ..... C02F 1/002  
210/200  
D673,242 S \* 12/2012 Rowe ..... D23/209  
D697,586 S \* 1/2014 Muday ..... D23/233  
8,852,439 B2 \* 10/2014 Frauchiger ..... A47G 21/188  
210/650  
D753,790 S \* 4/2016 Torgerud ..... D23/209  
D755,345 S \* 5/2016 Luthi ..... D23/209  
D767,713 S \* 9/2016 Biltoft ..... D23/209  
D782,609 S \* 3/2017 Hill ..... D23/207  
D782,610 S \* 3/2017 Hill ..... D23/207  
D791,271 S 7/2017 Barlow  
D802,839 S \* 11/2017 Scott ..... D27/194  
D830,500 S \* 10/2018 Yoon ..... D23/207  
D853,635 S \* 7/2019 Chen ..... D27/194

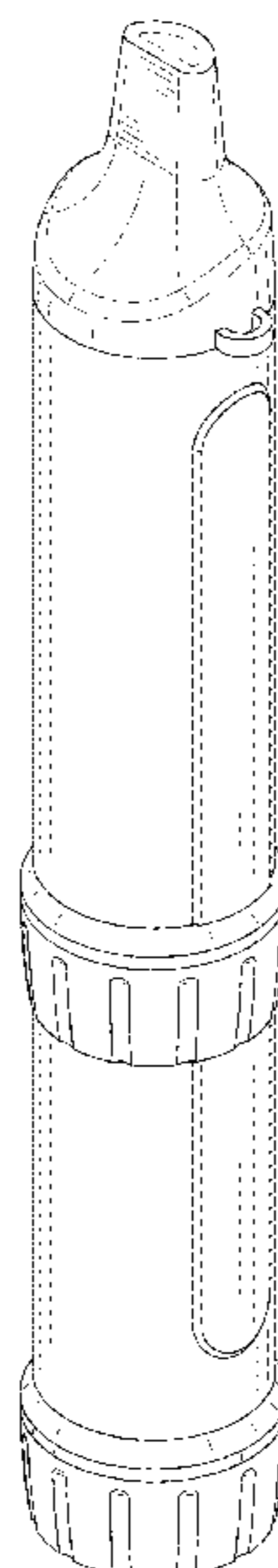
(57) **CLAIM**

The ornamental design for a water purification pipe, as shown and described.

**DESCRIPTION**

FIG. 1 is a perspective view of a water purification pipe showing my new design;  
FIG. 2 is another perspective view thereof;  
FIG. 3 is a front elevational view thereof;  
FIG. 4 is a rear elevational view thereof;  
FIG. 5 is a left side elevational view thereof;  
FIG. 6 is a right side elevational view thereof;  
FIG. 7 is a top plan view thereof; and,  
FIG. 8 is a bottom plan view thereof.  
The broken lines in the drawings depict portions of the water purification pipe that form no part of the claimed design.

**1 Claim, 8 Drawing Sheets**



(56)

**References Cited**

U.S. PATENT DOCUMENTS

D901,621 S \* 11/2020 Breitenmoser ..... A47G 21/188  
D23/209  
D919,043 S \* 5/2021 Yin ..... C02F 1/002  
D23/209  
D929,533 S \* 8/2021 Huang ..... D23/209  
D930,112 S \* 9/2021 Smith ..... A47G 21/188  
D23/209  
D937,990 S \* 12/2021 Dunn ..... D23/262  
D939,673 S \* 12/2021 Du ..... D23/266  
2010/0032358 A1 \* 2/2010 Vestergaard Frandsen .....  
A47G 21/188  
210/202  
2014/0367321 A1 \* 12/2014 Lee ..... B01D 35/303  
210/232  
2019/0269266 A1 \* 9/2019 Huang ..... C02F 1/002  
2020/0155978 A1 \* 5/2020 Zhan ..... B01D 27/106  
2020/0197846 A1 \* 6/2020 Yoon ..... C02F 1/441  
2020/0316500 A1 \* 10/2020 Malone ..... F01N 3/2066

OTHER PUBLICATIONS

Liquidizing filter straw Jul. 22, 2021 found on Jan. 21, 2022 at  
<https://www.amazon.com/dp/B09B1LJY4M/?th=1> (Year: 2021).\*

\* cited by examiner

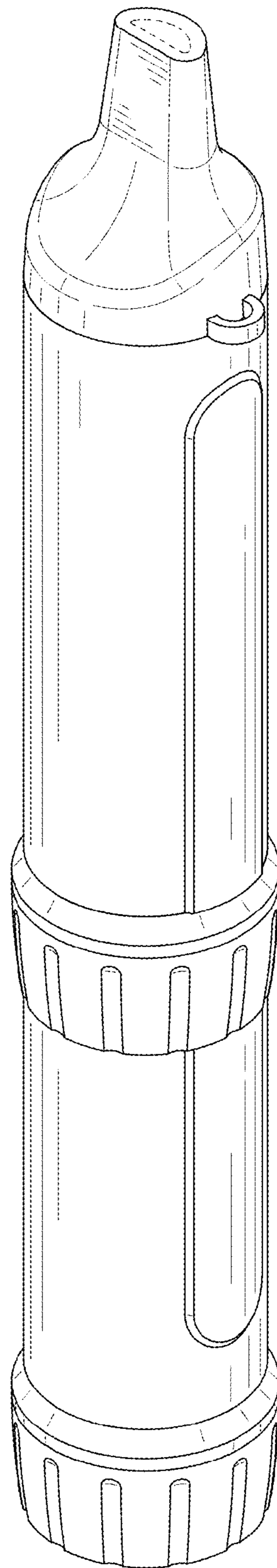


FIG. 1

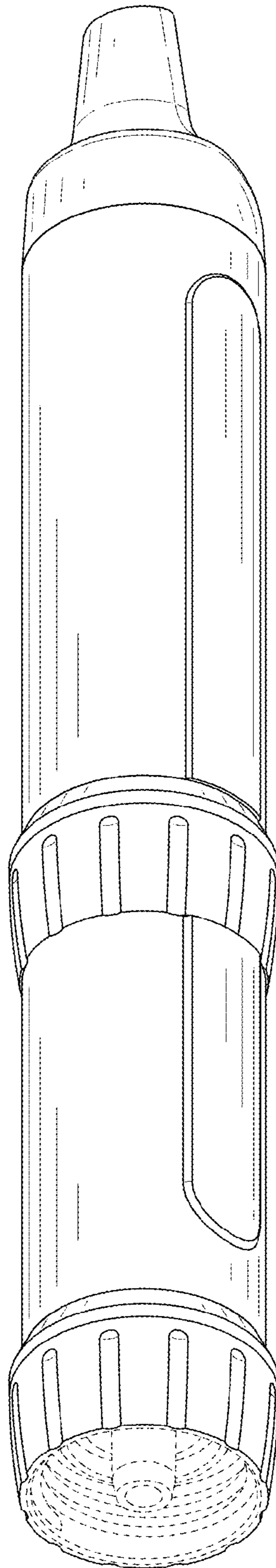


FIG. 2

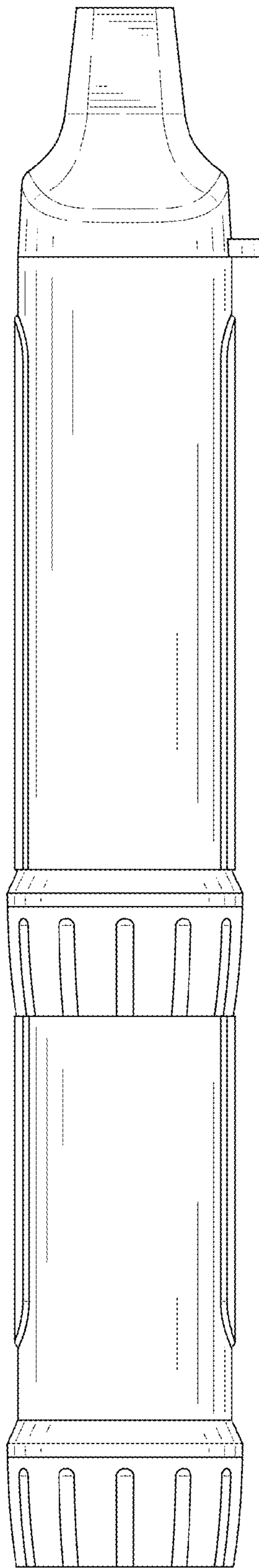


FIG. 3

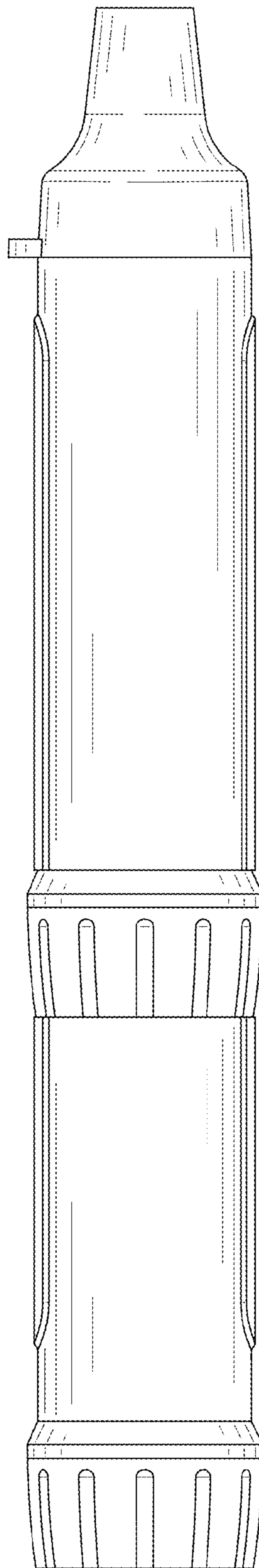


FIG. 4

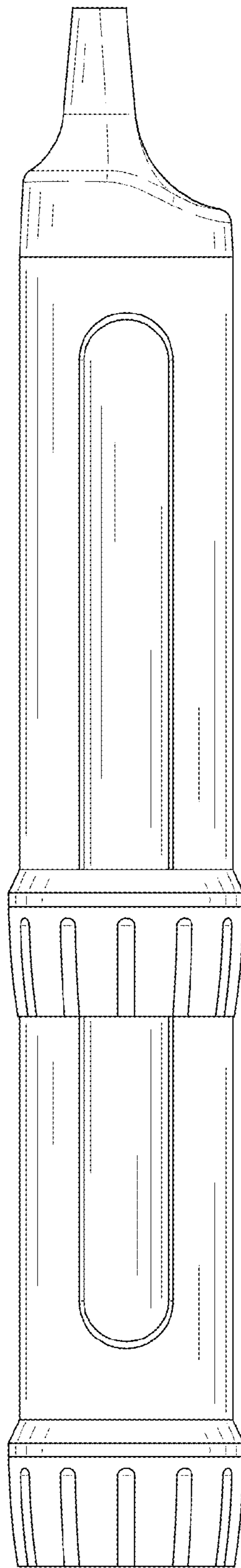


FIG. 5

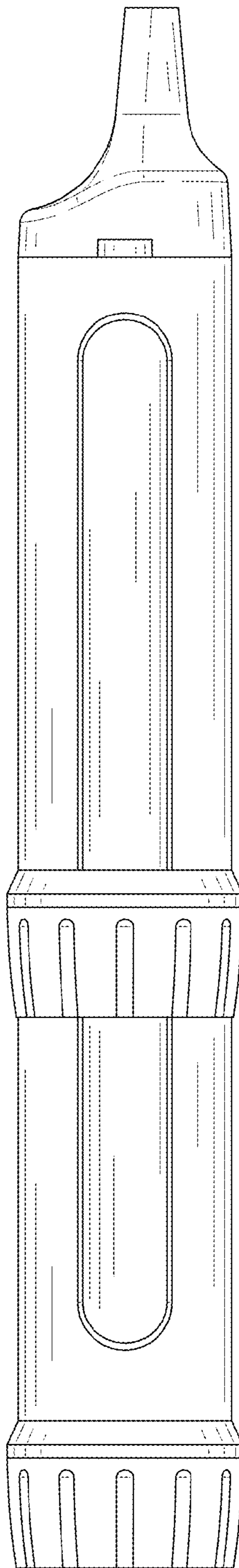


FIG. 6



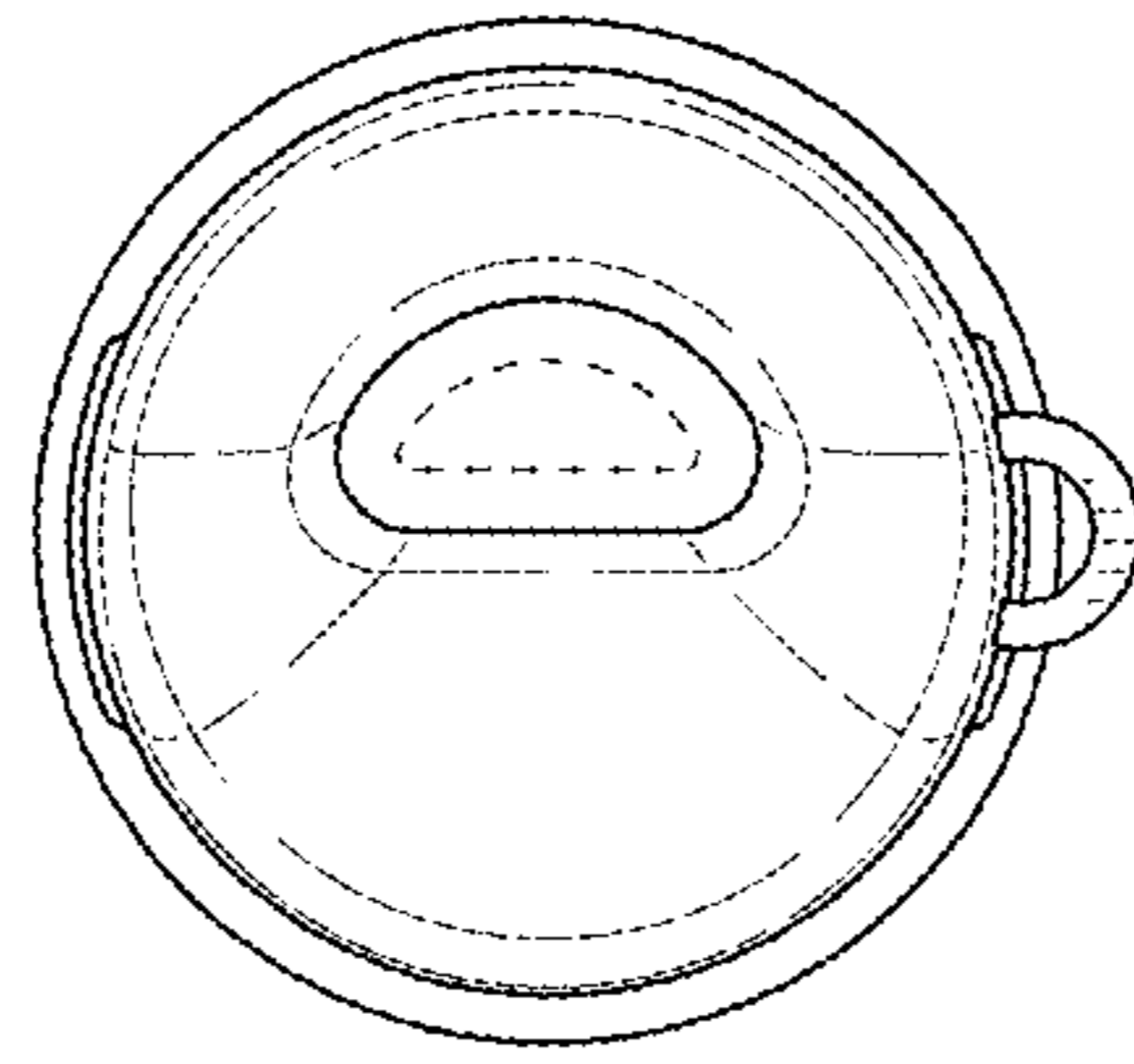


FIG. 7

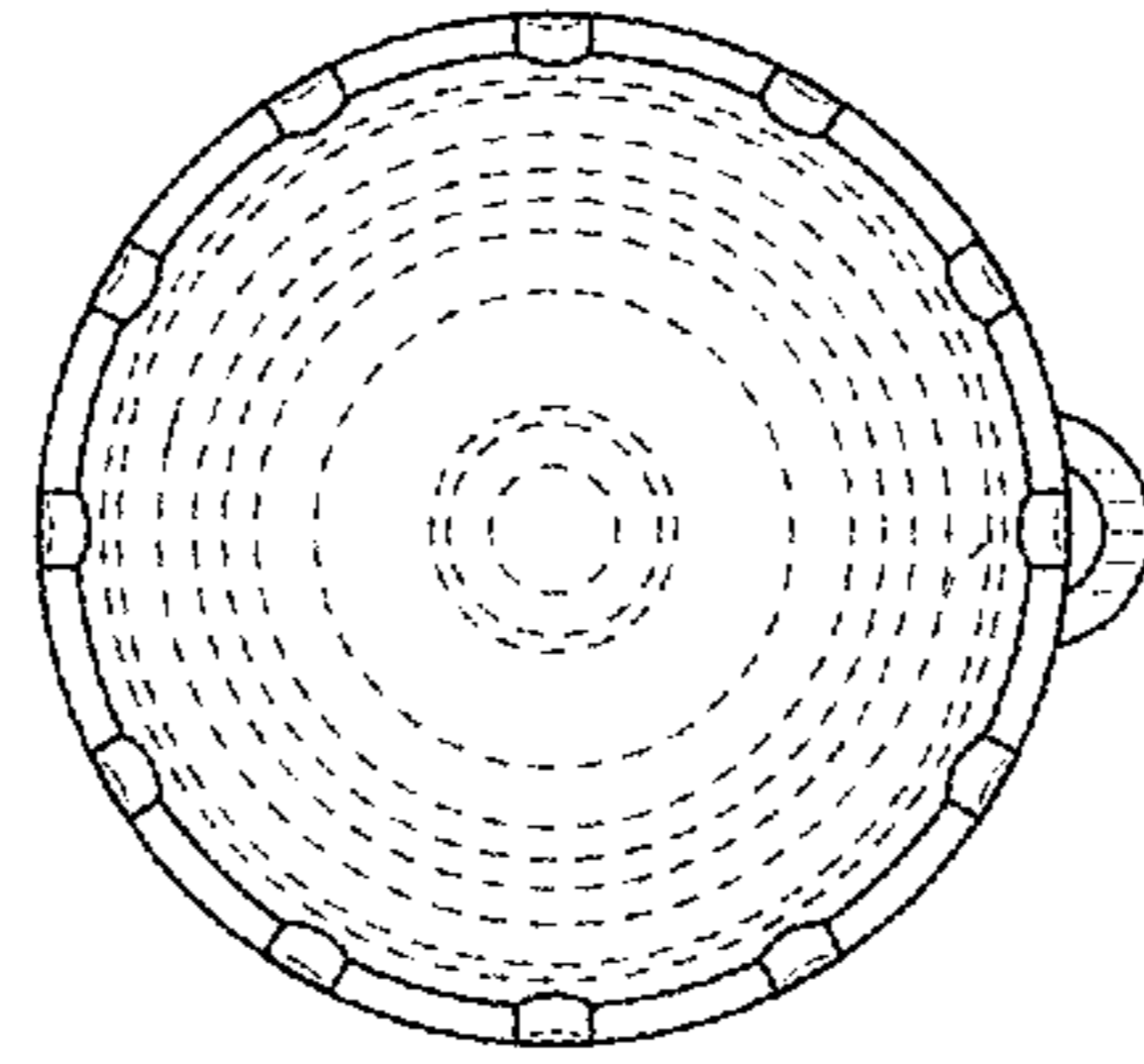


FIG. 8