

US00D946697S

(12) **United States Design Patent** (10) **Patent No.:** **US D946,697 S**
Deng (45) **Date of Patent:** **** Mar. 22, 2022**

(54) **WATER PURIFICATION PIPE**
(71) Applicant: **Guoliang Deng, Zhangjiajie (CN)**
(72) Inventor: **Guoliang Deng, Zhangjiajie (CN)**
(**) Term: **15 Years**
(21) Appl. No.: **29/781,263**
(22) Filed: **Apr. 29, 2021**
(51) **LOC (13) Cl.** **23-01**
(52) **U.S. Cl.**
USPC **D23/207**
(58) **Field of Classification Search**
USPC D23/207, 209, 211.2, 222, 233, 262-266;
D27/167, 169, 194
CPC B01D 2201/29; B01D 2201/03; B01D
2201/301; B01D 2201/302; B01D
2201/306; B01D 2201/309; B01D 35/30;
C02F 1/002; C02F 1/003
See application file for complete search history.

D855,881 S * 8/2019 Hawes D27/194
D858,690 S * 9/2019 Fenton D23/207
D888,194 S 6/2020 Cordova et al.
D893,673 S * 8/2020 Wei C02F 1/002
D23/209

(Continued)

FOREIGN PATENT DOCUMENTS

CN 306443979 * 7/2020
CN 306398630 * 11/2020

OTHER PUBLICATIONS

Lifestraw filter straw Nov. 17, 2021 Filter found on Jan. 21, 2022 at <https://www.amazon.com/LifeStraw-Personal-Camping-Emergency-Preparedness/dp/B006QF3TW4/> (Year: 2021).*

(Continued)

Primary Examiner — Karen S Acker
Assistant Examiner — Jonathan E Fiencke

(57) **CLAIM**

The ornamental design for a water purification pipe, as shown and described.

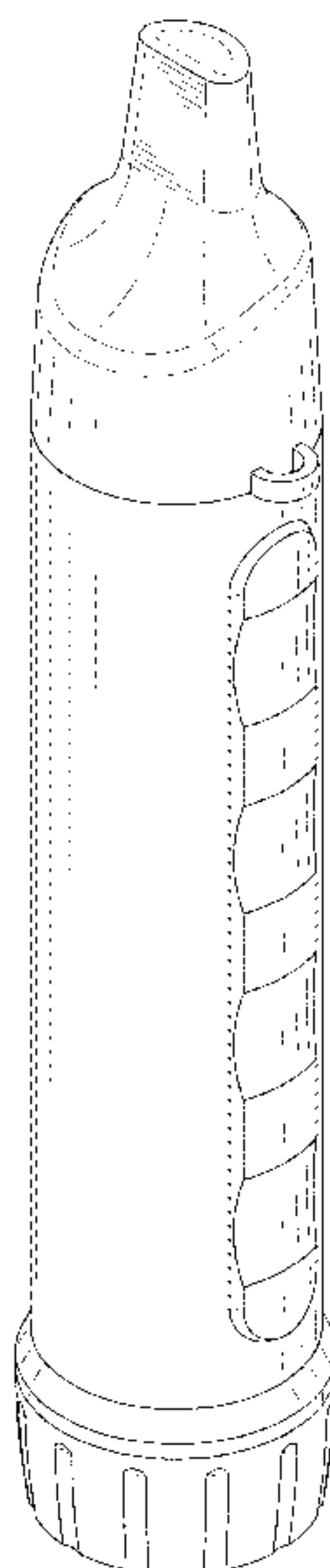
DESCRIPTION

FIG. 1 is a perspective view of a water purification pipe showing my new design;
FIG. 2 is another perspective view thereof;
FIG. 3 is a front elevational view thereof;
FIG. 4 is a rear elevational view thereof;
FIG. 5 is a left side elevational view thereof;
FIG. 6 is a right side elevational view thereof;
FIG. 7 is a top plan view thereof; and,
FIG. 8 is a bottom plan view thereof.
The broken lines in the drawings depict portions of the water purification pipe that form no part of the claimed design.

1 Claim, 8 Drawing Sheets

(56) **References Cited**
U.S. PATENT DOCUMENTS

D432,622 S * 10/2000 Thompson D23/209
D441,421 S * 5/2001 Aldred D23/209
8,216,462 B2 * 7/2012 O'Brien C02F 1/002
210/200
D673,242 S * 12/2012 Rowe D23/209
D697,586 S * 1/2014 Muday D23/233
8,852,439 B2 * 10/2014 Frauchiger A47G 21/188
210/650
D753,790 S * 4/2016 Torgerud D23/209
D755,345 S * 5/2016 Luthi D23/209
D767,713 S * 9/2016 Biltoft D23/209
D782,609 S * 3/2017 Hill D23/207
D782,610 S * 3/2017 Hill D23/207
D791,271 S 7/2017 Barlow
D802,839 S * 11/2017 Scott D27/194
D830,500 S * 10/2018 Yoon D23/207
D853,635 S * 7/2019 Chen D27/194



(56)

References Cited

U.S. PATENT DOCUMENTS

D901,621 S * 11/2020 Breitenmoser A47G 21/188
D23/209
D919,043 S * 5/2021 Yin C02F 1/002
D23/209
D929,533 S * 8/2021 Huang D23/209
D930,112 S * 9/2021 Smith A47G 21/188
D23/209
D937,990 S * 12/2021 Dunn D23/262
D939,673 S * 12/2021 Du D23/266
2010/0032358 A1 * 2/2010 Vestergaard Frandsen
A47G 21/188
210/202
2014/0367321 A1 * 12/2014 Lee B01D 35/303
210/232
2019/0269266 A1 * 9/2019 Huang C02F 1/002
2020/0155978 A1 * 5/2020 Zhan B01D 27/106
2020/0197846 A1 * 6/2020 Yoon C02F 1/441
2020/0316500 A1 * 10/2020 Malone F01N 3/2066

OTHER PUBLICATIONS

Liquidizing filter straw Jul. 22, 2021 found on Jan. 21, 2022 at
<https://www.amazon.com/dp/B09B1LJY4M/?th=1> (Year: 2021).*

* cited by examiner

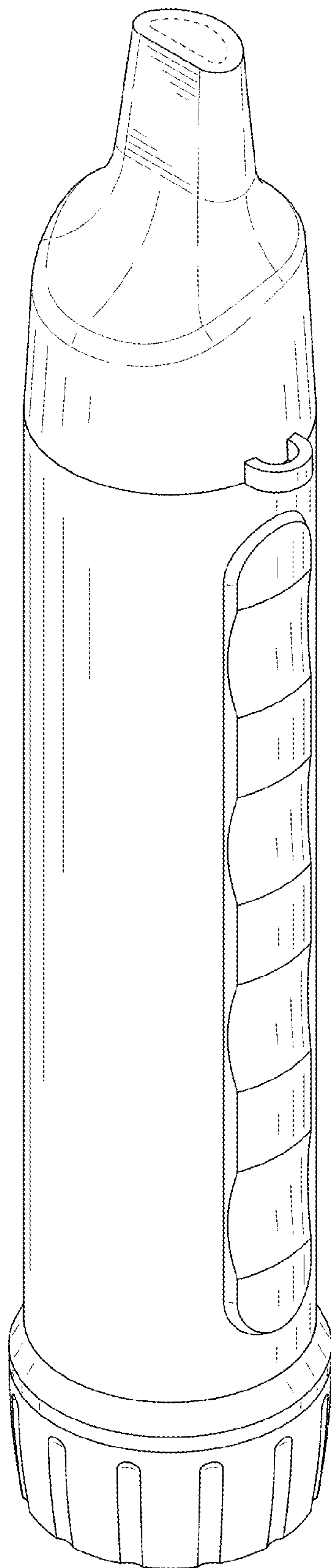


FIG. 1

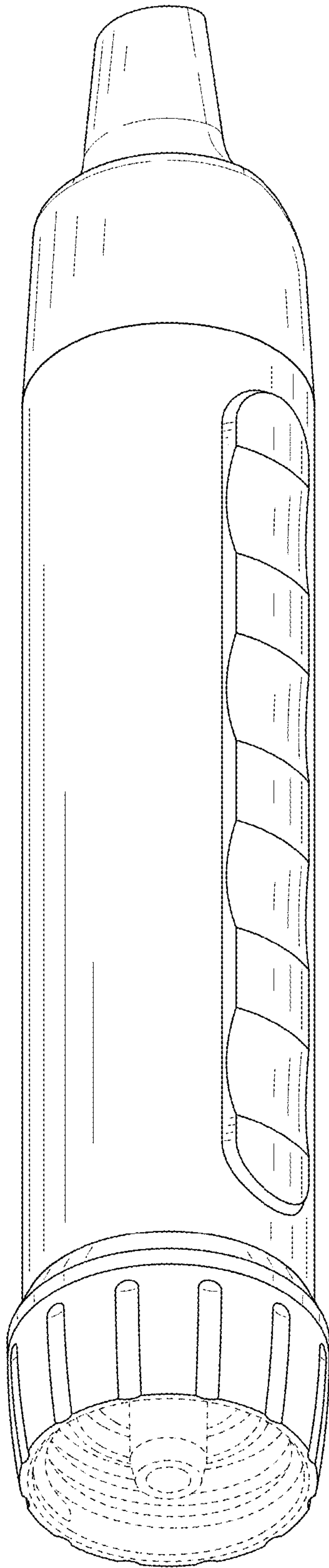


FIG. 2

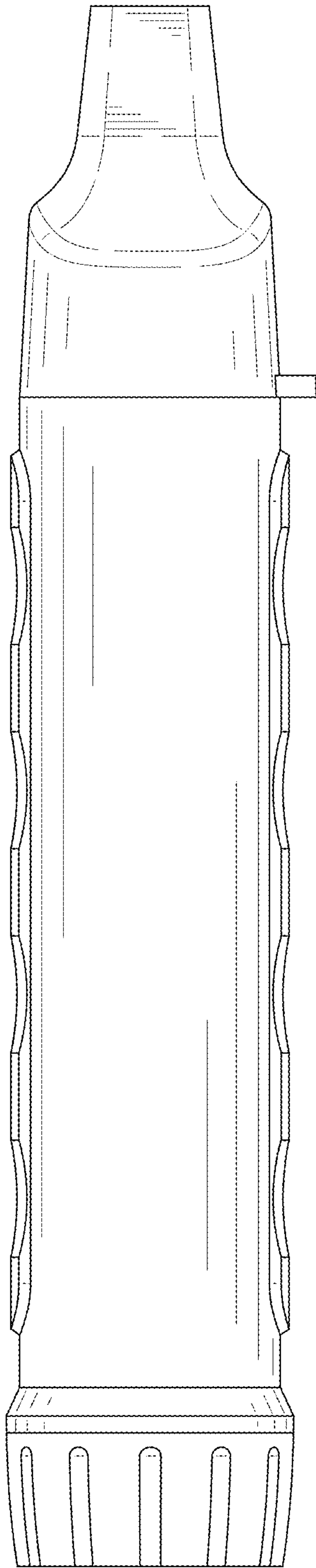


FIG. 3

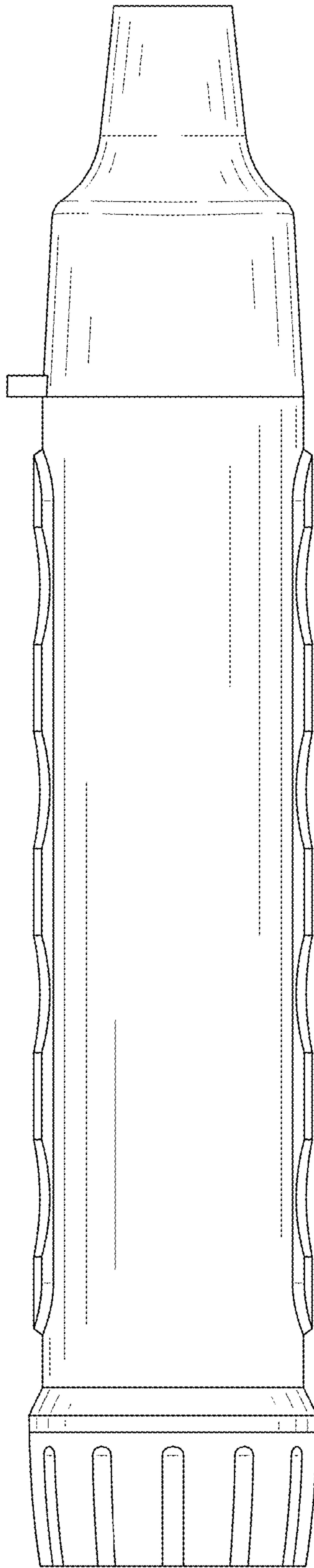


FIG. 4

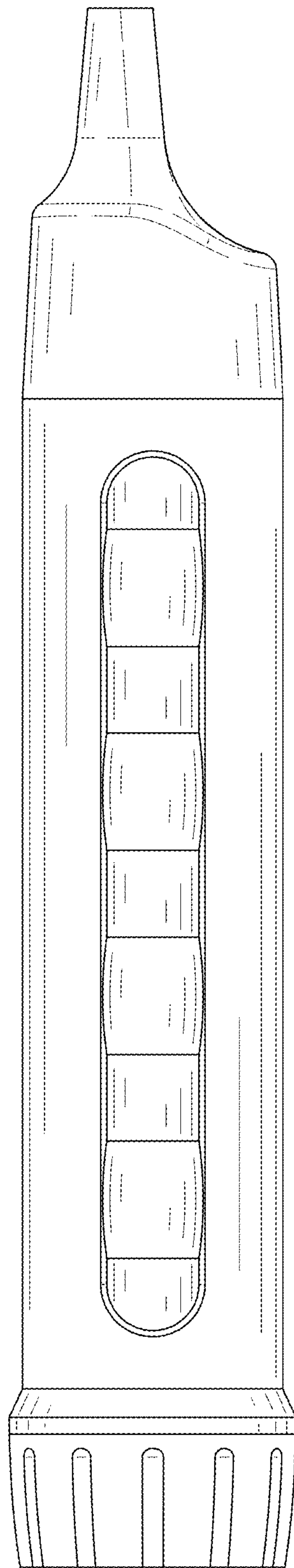


FIG. 5

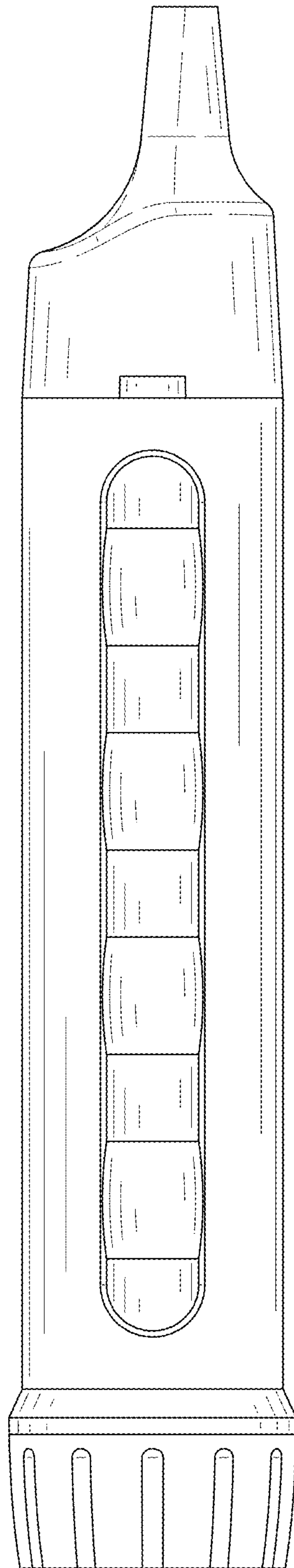


FIG. 6

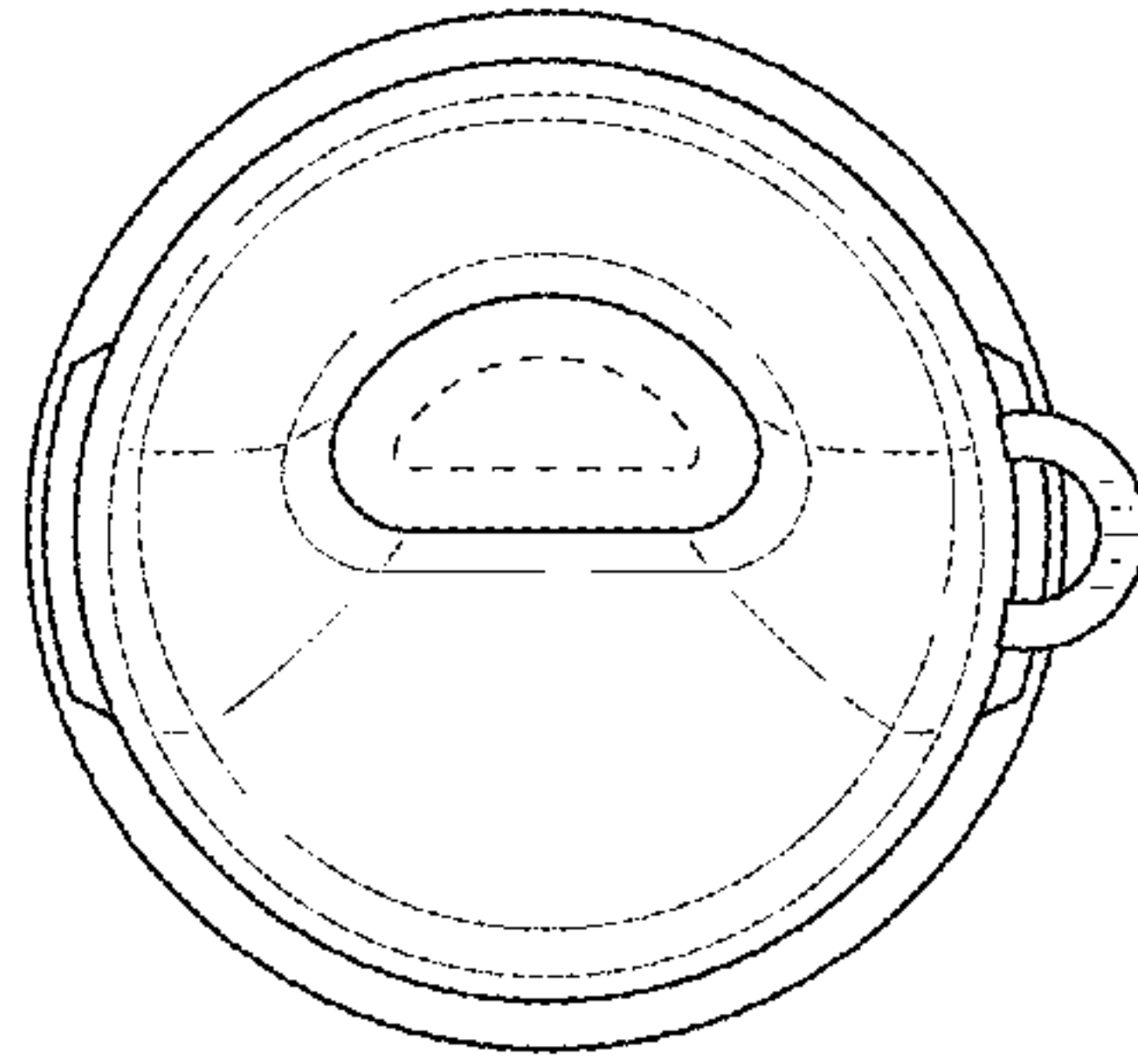


FIG. 7

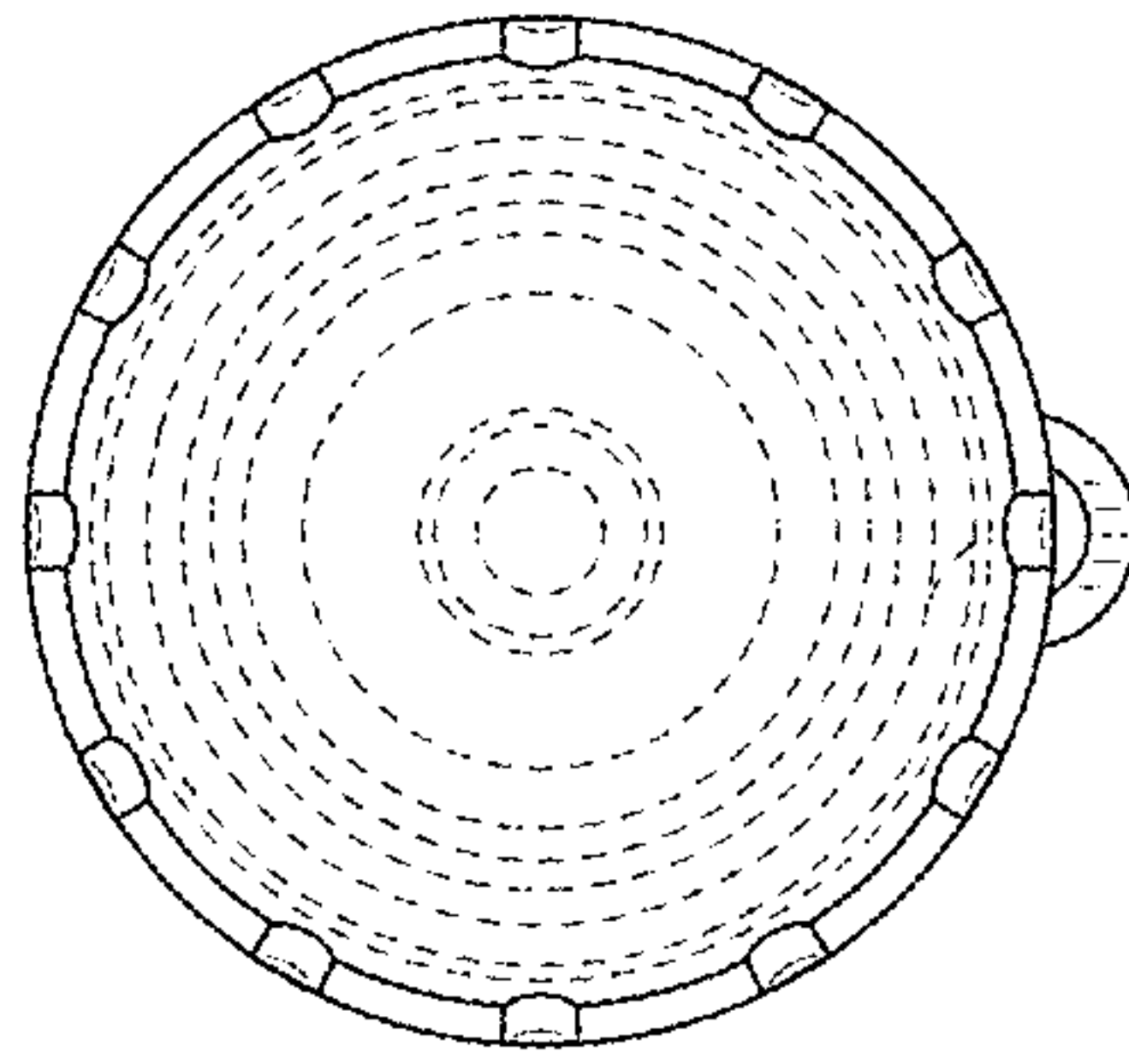


FIG. 8