



US00D946695S

(12) **United States Design Patent**
Yan

(10) **Patent No.:** **US D946,695 S**
(45) **Date of Patent:** **** Mar. 22, 2022**

(54) **SOLAR FOUNTAIN PUMP**

D899,558 S * 10/2020 Wei D23/201
D921,152 S * 6/2021 Blum D23/213
D926,924 S * 8/2021 Cocks D23/213

(71) Applicant: **SHENZHEN LEMON TREE TECHNOLOGY CO., LTD.**, Shenzhen (CN)

FOREIGN PATENT DOCUMENTS

(72) Inventor: **Xianmei Yan**, Shenzhen (CN)

CN 306514309 * 11/2020
CN 306649602 * 3/2021

(73) Assignee: **SHENZHEN LEMON TREE TECHNOLOGY CO., LTD.**, Shenzhen (CN)

* cited by examiner

Primary Examiner — Karen S Acker
Assistant Examiner — Jonathan E. Fiencke

(**) Term: **15 Years**

(57) **CLAIM**

(21) Appl. No.: **29/799,512**

The ornamental design for a solar fountain pump, as shown and described.

(22) Filed: **Jul. 15, 2021**

DESCRIPTION

(51) **LOC (13) Cl.** **23-01**

(52) **U.S. Cl.**
USPC **D23/201**

(58) **Field of Classification Search**
USPC D8/352; D13/102, 118, 184, 199;
D23/200, 201, 213–215
CPC .. A01K 7/00; A01K 7/02; B05B 17/08; F21S
8/00; F24S 25/10; Y02E 10/52
See application file for complete search history.

FIG. 1 is a perspective view of a solar fountain pump showing my new design;
FIG. 2 is another perspective view thereof;
FIG. 3 is a front elevational view thereof;
FIG. 4 is a rear elevational view thereof;
FIG. 5 is a left side elevational view thereof;
FIG. 6 is a right side elevational view thereof;
FIG. 7 is a top plan view thereof;
FIG. 8 is a bottom plan view thereof;
FIG. 9 is an enlarged detail view of area 9 circumscribed within FIG. 1;
FIG. 10 is an enlarged detail view of area 10 circumscribed within FIG. 5; and,
FIG. 11 is an enlarged detail view of area 11 circumscribed in FIG. 7.

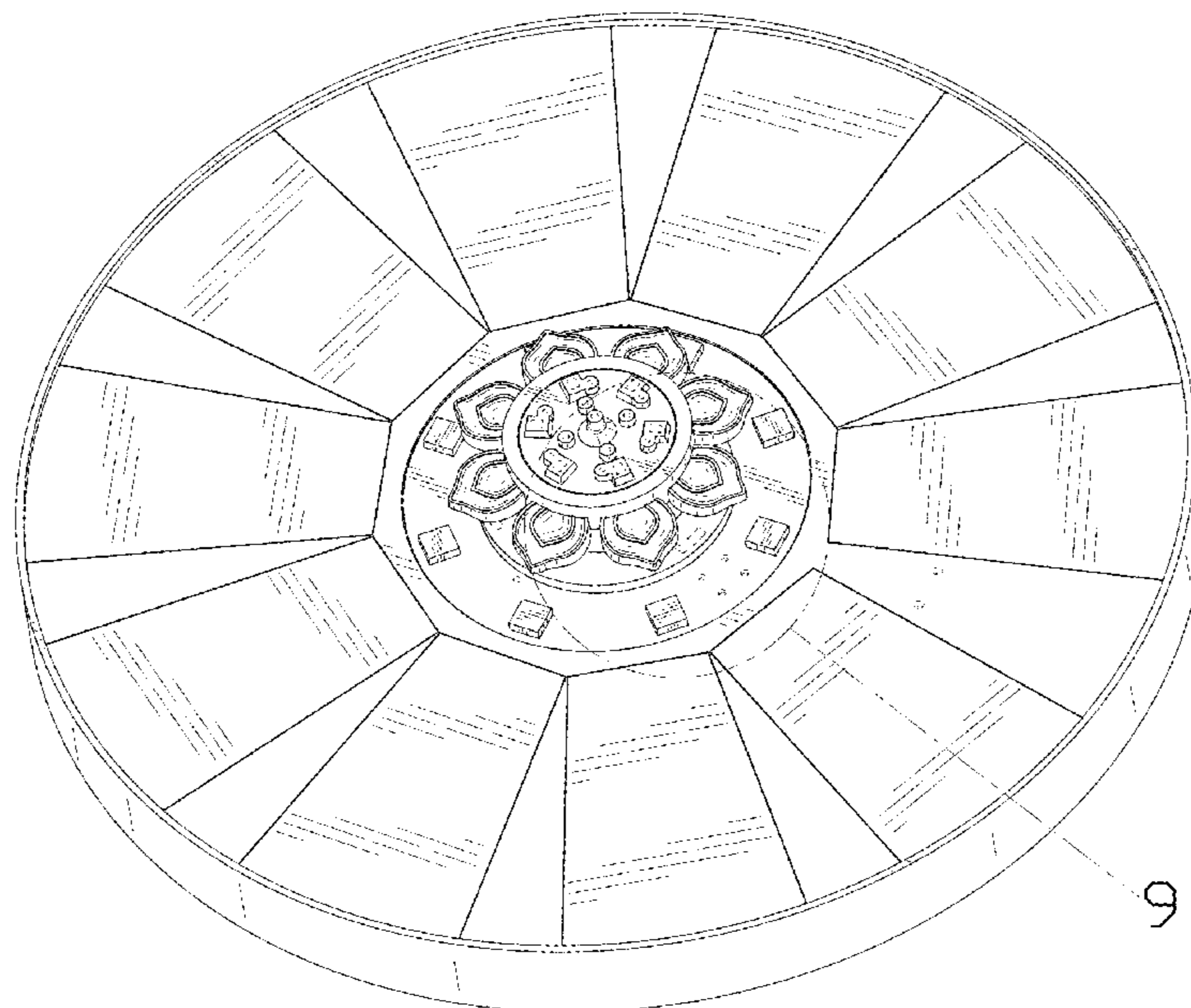
(56) **References Cited**

U.S. PATENT DOCUMENTS

D499,115 S 11/2004 Tatic
D701,828 S * 4/2014 Garrett-Schesch D13/102
D783,522 S * 4/2017 Cameron D13/102
D817,862 S * 5/2018 Cameron D13/102
D828,901 S * 9/2018 Li D23/201
D829,303 S * 9/2018 Li D23/201
D836,751 S * 12/2018 Li D23/201
D837,731 S * 1/2019 Ma D13/102
D841,769 S * 2/2019 Tappeiner D23/201
D865,660 S * 11/2019 Jing D13/102
D877,855 S * 3/2020 Wei D23/201

The evenly spaced broken lines depict portions of the solar fountain pump that form no part of the claimed design. The dot dash dot broken lines denote the boundaries of the detail areas and detail views and form no part of the claimed design.

1 Claim, 11 Drawing Sheets



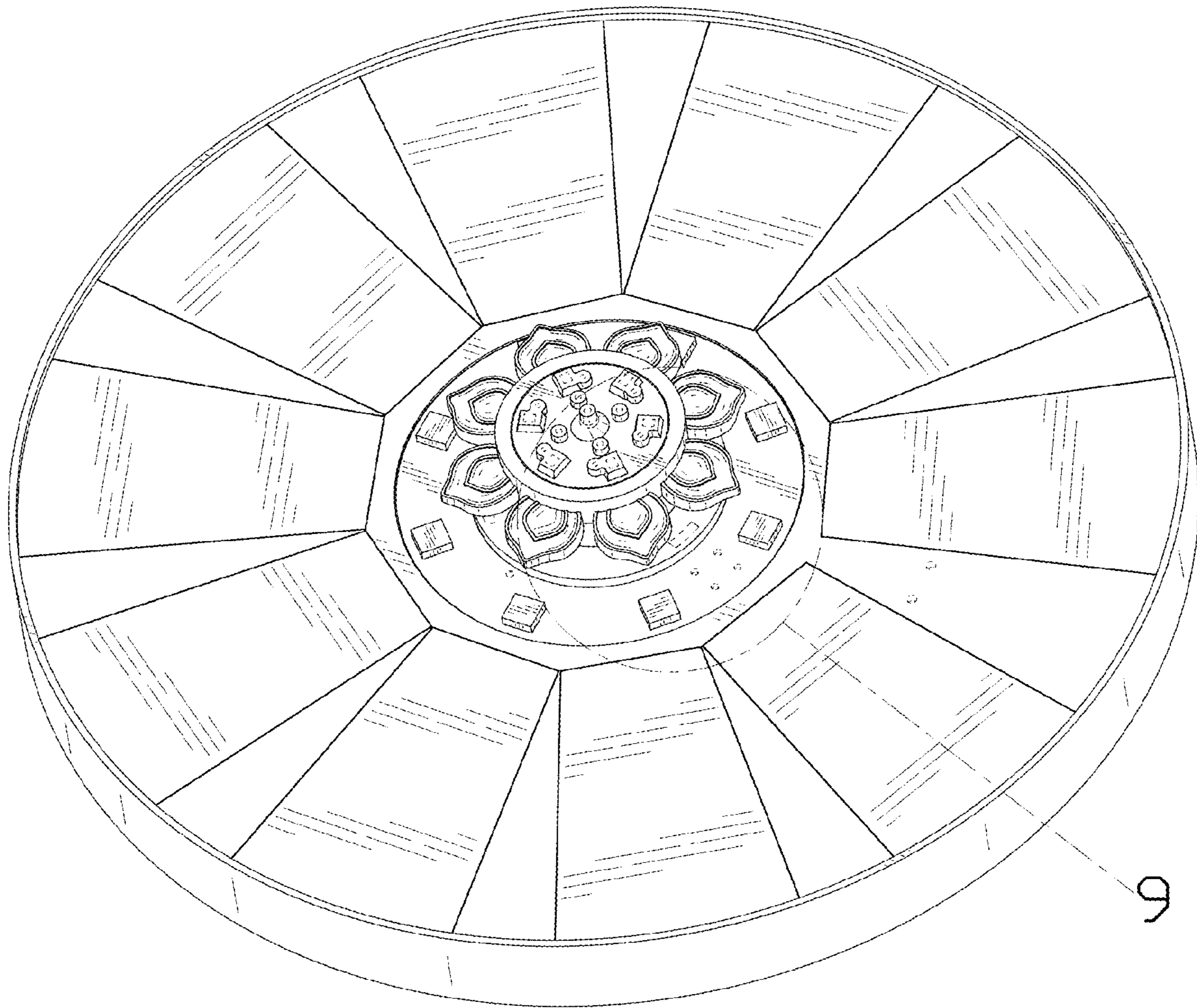


FIG. 1

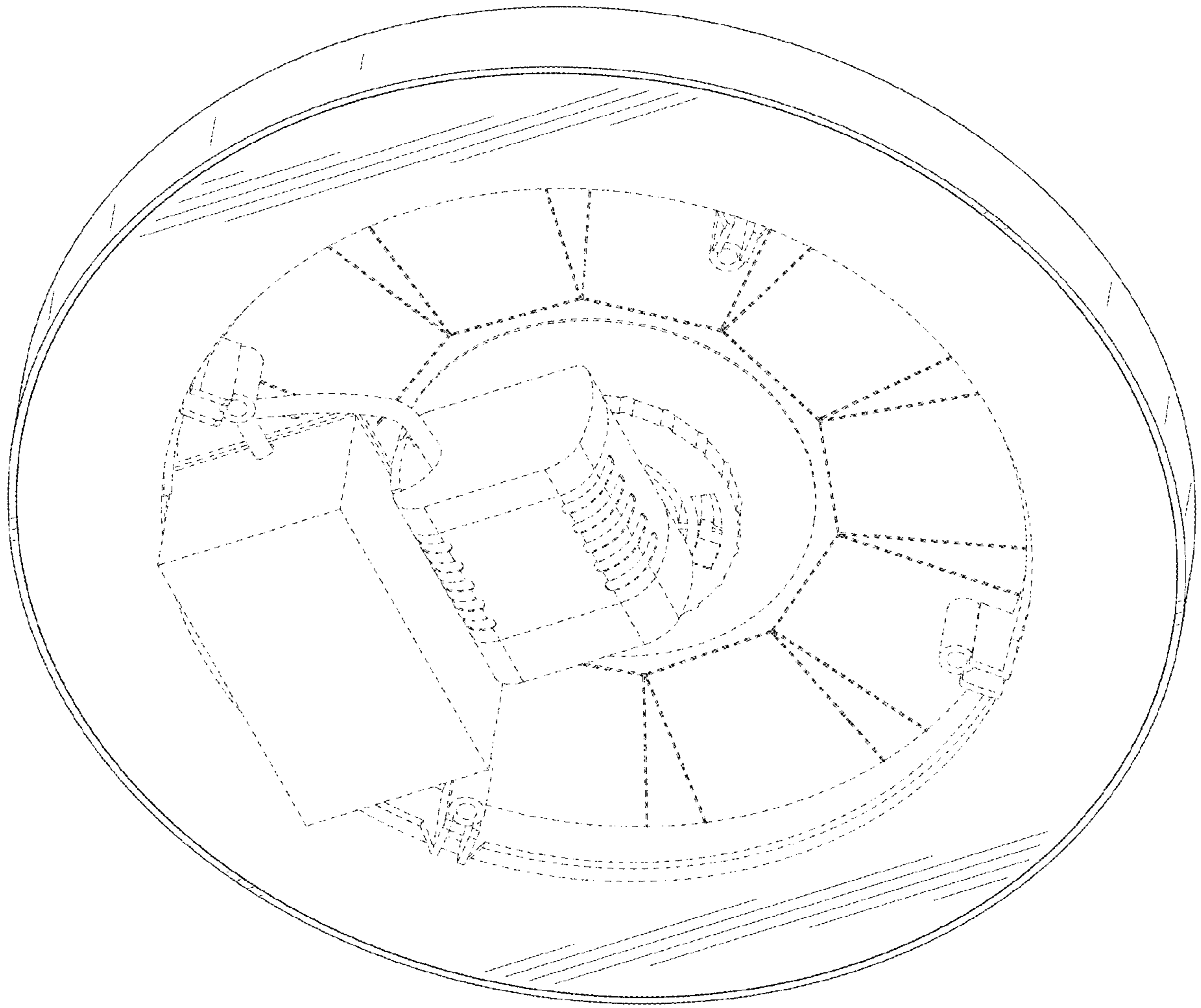


FIG. 2

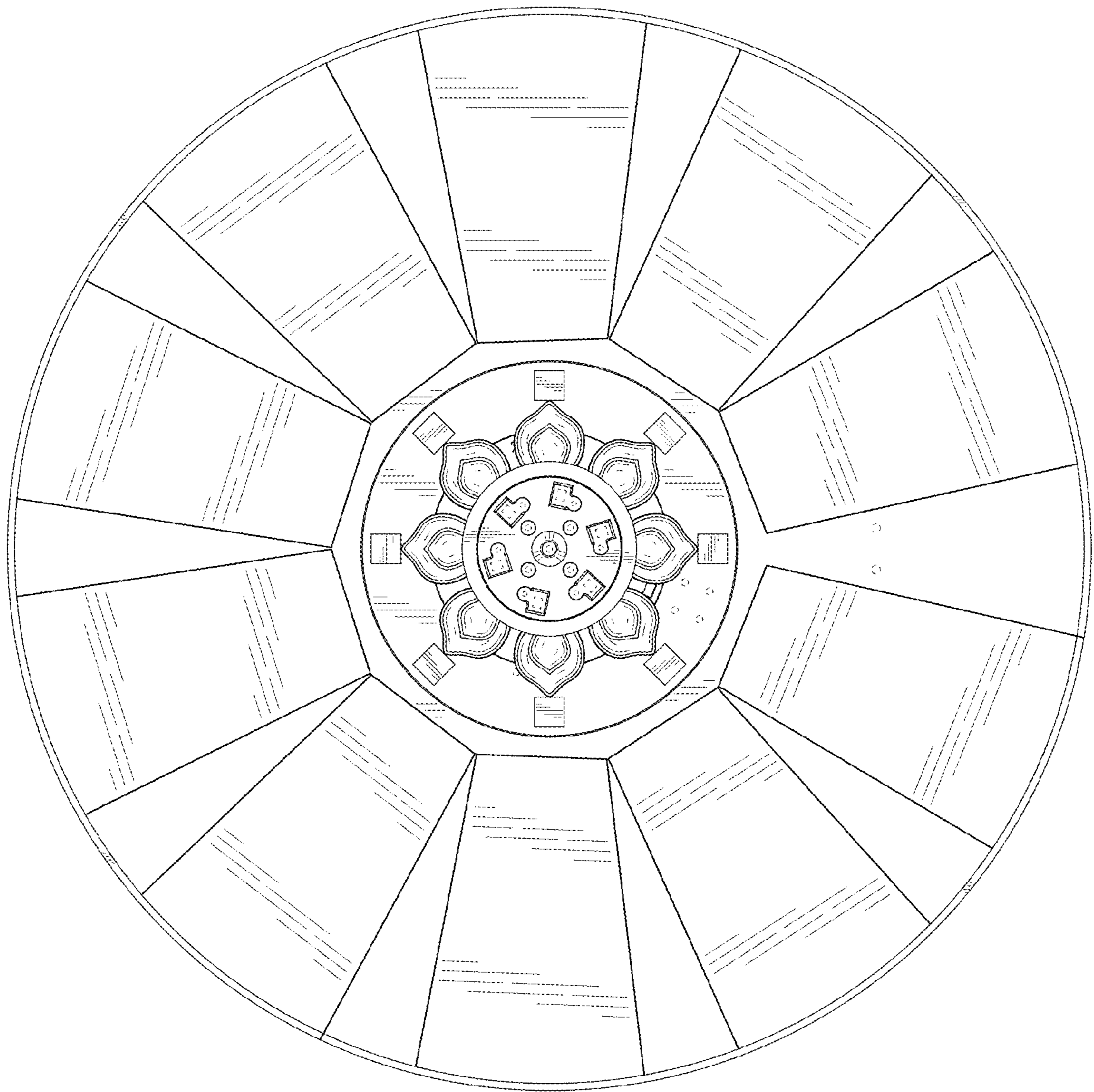


FIG. 3

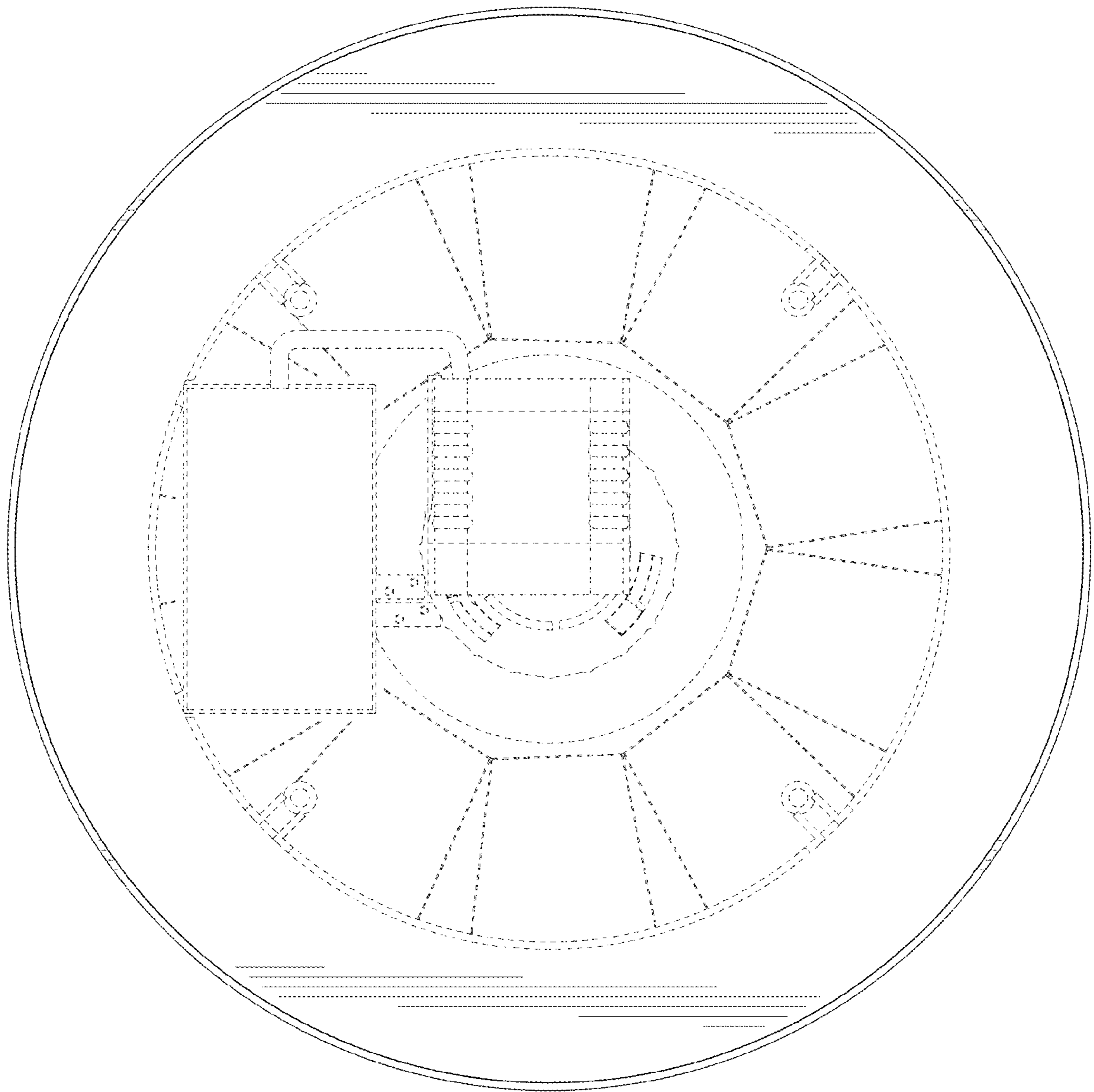


FIG. 4

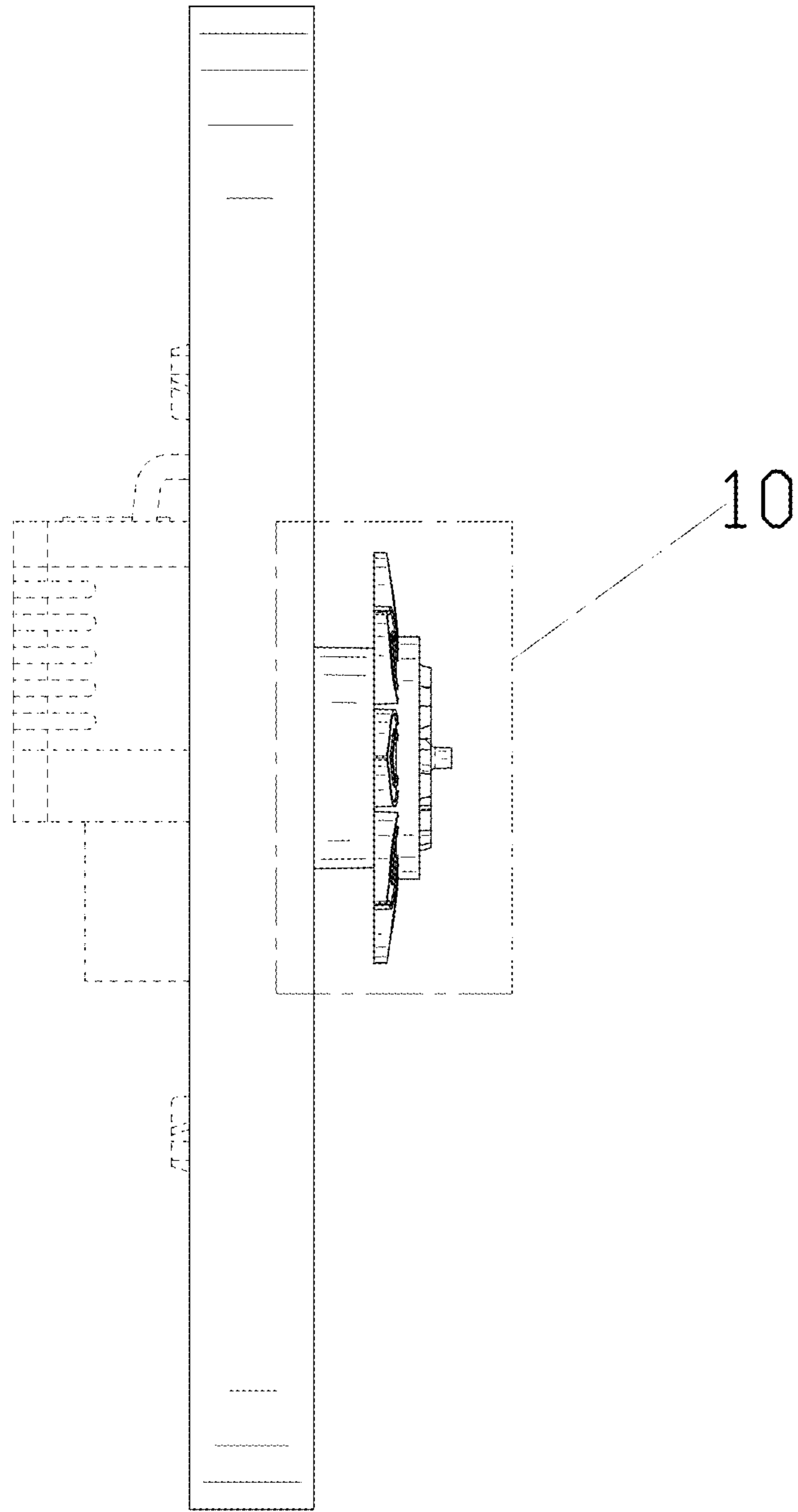


FIG. 5

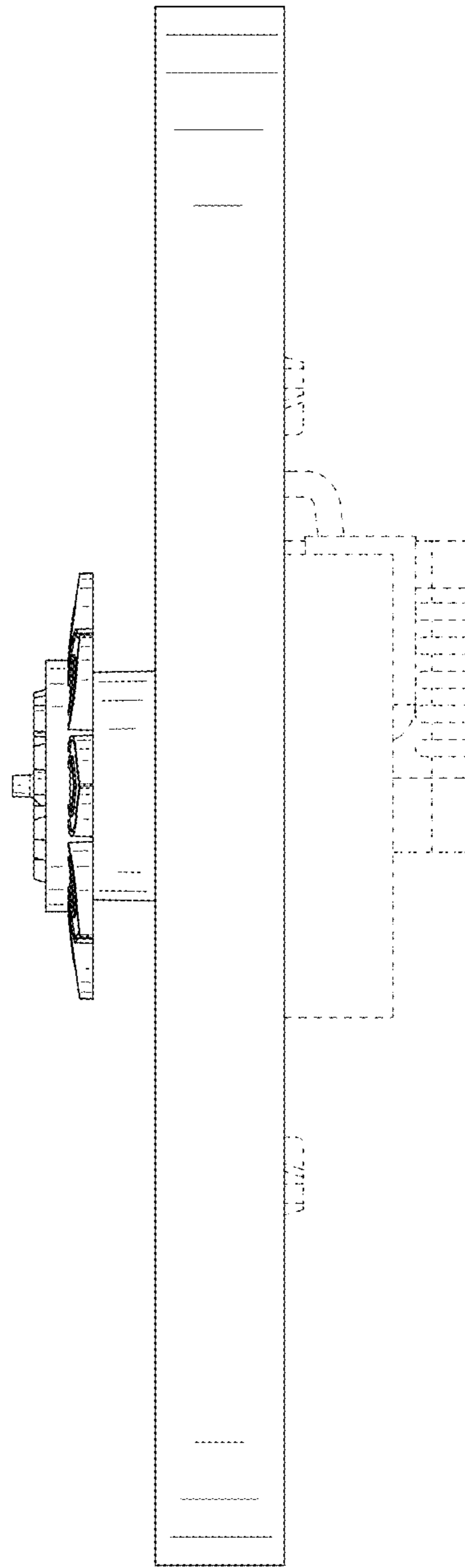


FIG. 6

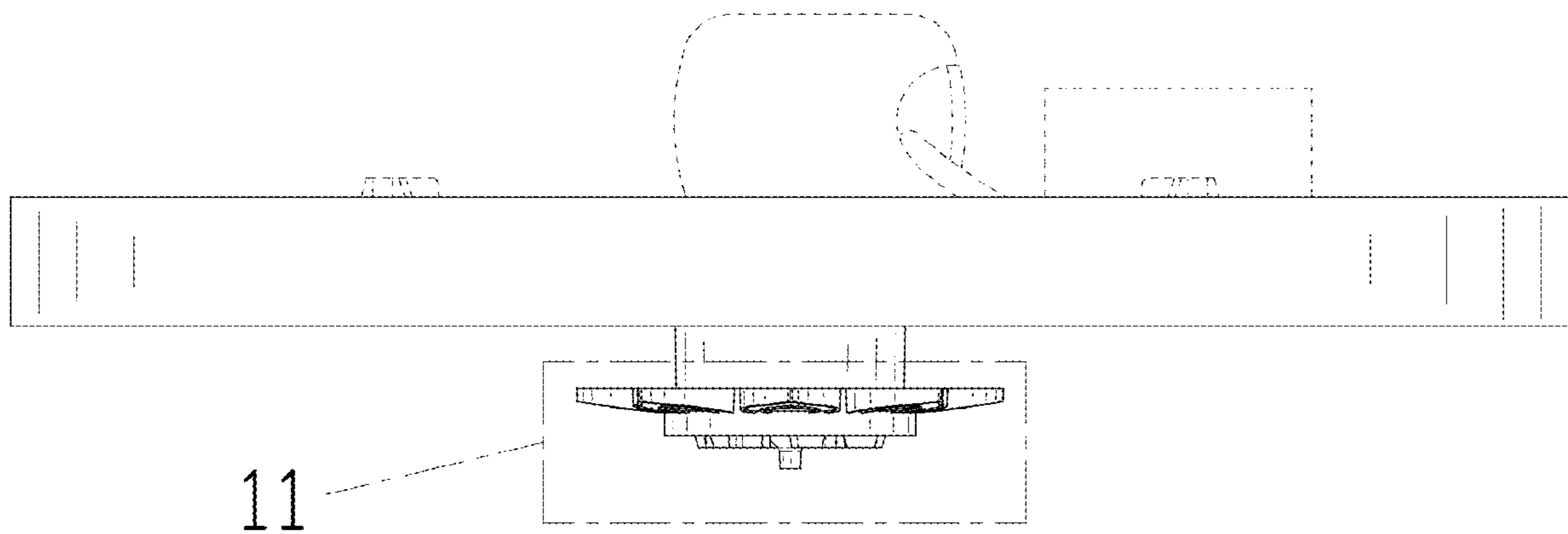


FIG. 7

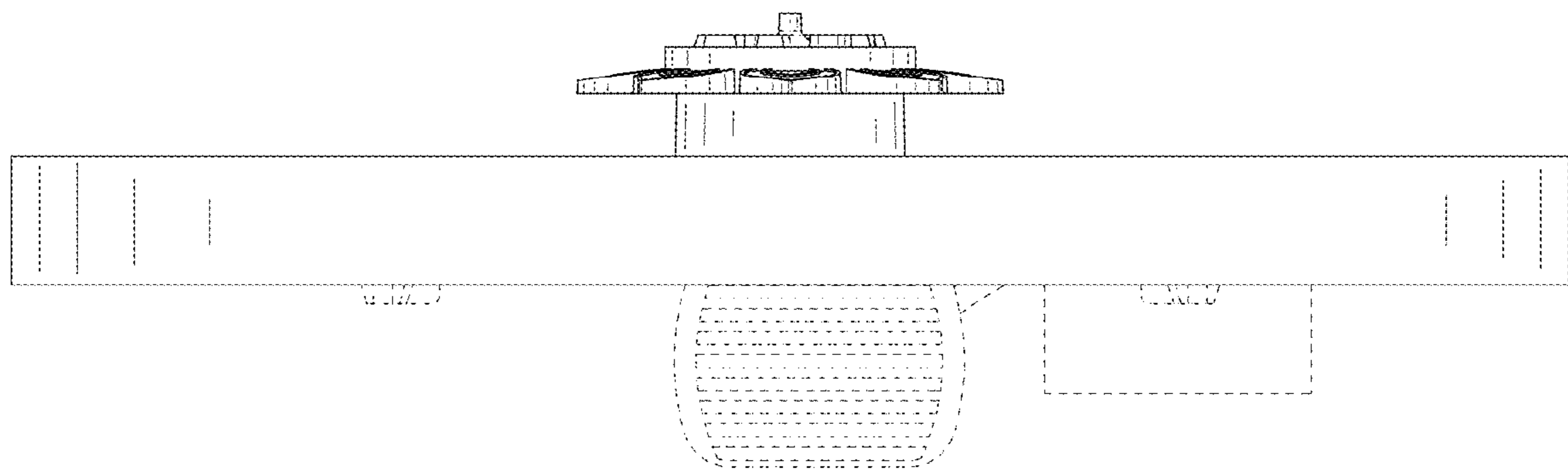


FIG. 8

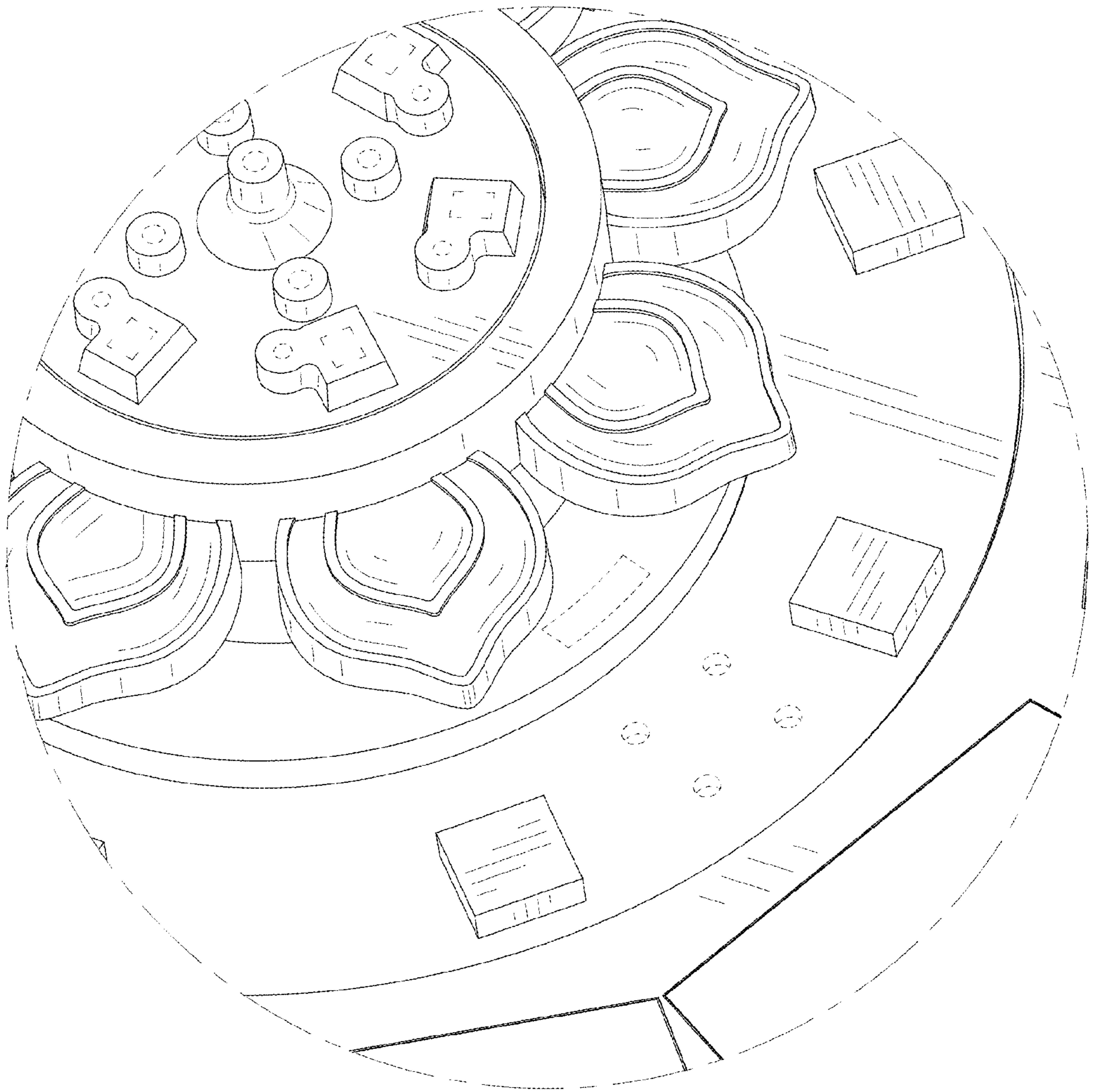


FIG. 9

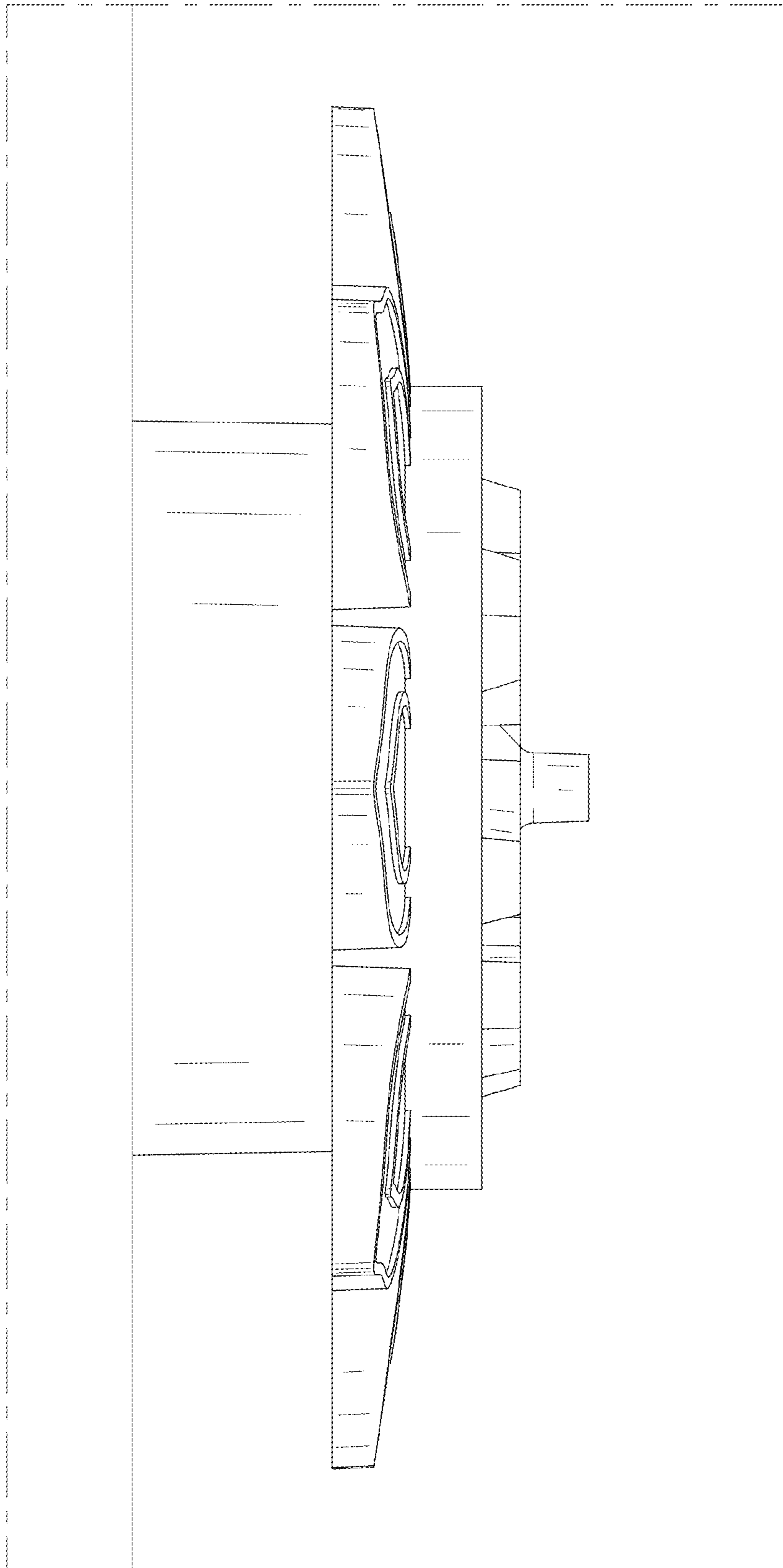


FIG. 10

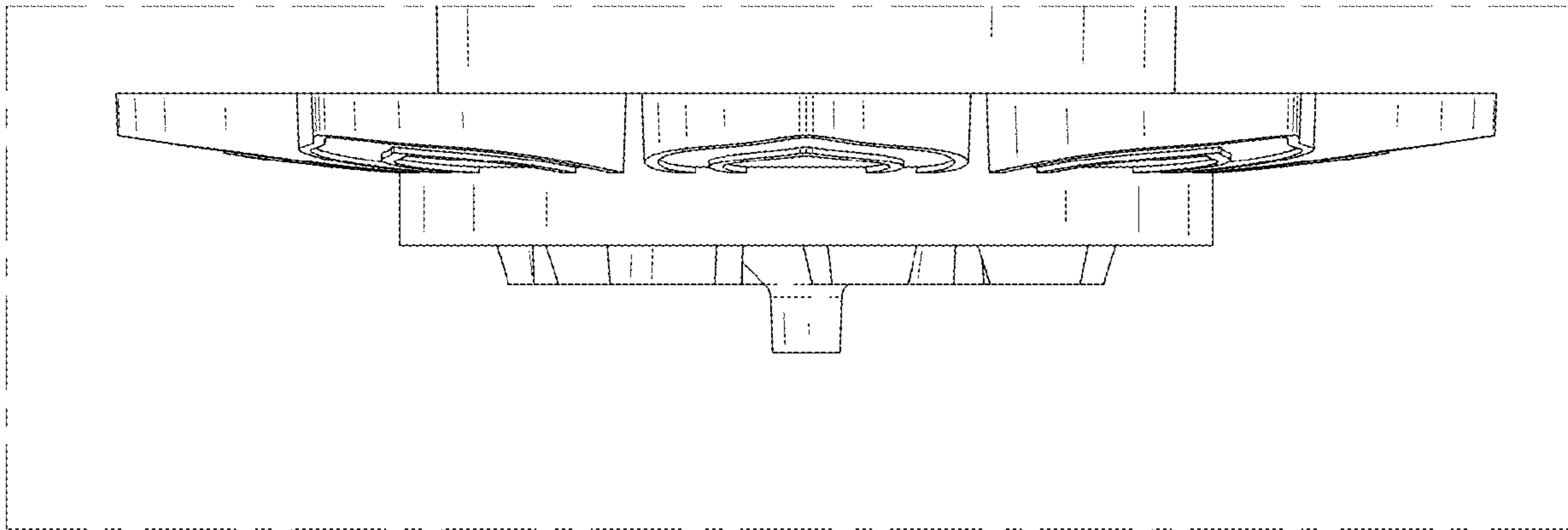


FIG. 11