



US00D946693S

(12) **United States Design Patent** (10) **Patent No.:** **US D946,693 S**  
**Mathieu et al.** (45) **Date of Patent:** **\*\* Mar. 22, 2022**

(54) **FISHHOOK ACCESSORY**

(71) Applicant: **Rapala VMC Corporation**, Helsinki (FI)

(72) Inventors: **Cyrille Mathieu**, Chaska, MN (US);  
**Meng Da Liu**, Edina, MN (US)

(73) Assignee: **RAPALA VMC CORPORATION**, Helsinki (FI)

(\*\*) Term: **15 Years**

(21) Appl. No.: **29/709,343**

(22) Filed: **Oct. 14, 2019**

(51) **LOC (13) Cl.** ..... **22-05**

(52) **U.S. Cl.**  
USPC ..... **D22/145**

(58) **Field of Classification Search**  
USPC ..... D22/134, 144–146  
CPC ..... A01K 83/06; A01K 85/01; A01K 91/04;  
A01K 91/06; A01K 93/00; A01K 95/00;  
A01K 95/02; A01K 95/005  
See application file for complete search history.

(56) **References Cited**

**U.S. PATENT DOCUMENTS**

D144,012 S *	2/1946	Voigt	.....	D22/145
2,731,759 A *	1/1956	Hornkehugow	.....	A01K 75/04 43/43.1
2,764,837 A *	10/1956	Leash	.....	A01K 95/00 43/44.9
D346,423 S *	4/1994	Kitagawa	.....	D22/134
D620,069 S *	7/2010	Ashley	.....	D22/134
D645,933 S *	9/2011	Henry, Jr.	.....	D22/134
D794,158 S *	8/2017	Torgerson	.....	D22/145
2010/0287813 A1 *	11/2010	Moritz	.....	A01K 91/04 43/43.1

**OTHER PUBLICATIONS**

Dr. Fish Rolling Barrel Fishing Swivel Stainless Steel Black Nickel 30 Lb to 1500 Lb . . . [https://www.amazon.com/Dr-Fish-Saltwater-Fishing-Connector-Terminal/dp/B00UFMBG1K/ref=asc\\_df\\_B00UFMBG1K/?tag=hyprod-20&linkCode=df0&hvadid=312139903133&hvpos=&hvnetw=g&hvrnd=4054162275077345639&hvpone=&hvptwo=&hvqmt=&hvdev=c&hvdvcmld=&hvllocint=&hvlcophy=9004506&hvtargid=pla-569645187042&th=1&psc=1](https://www.amazon.com/Dr-Fish-Saltwater-Fishing-Connector-Terminal/dp/B00UFMBG1K/ref=asc_df_B00UFMBG1K/?tag=hyprod-20&linkCode=df0&hvadid=312139903133&hvpos=&hvnetw=g&hvrnd=4054162275077345639&hvpone=&hvptwo=&hvqmt=&hvdev=c&hvdvcmld=&hvllocint=&hvlcophy=9004506&hvtargid=pla-569645187042&th=1&psc=1) (Year: 2015).\*

Lixada Travel Flexible Fitness Weights . . . <https://www.walmart.com/ip/Lixada-Travel-Flexible-Fitness-Weights-Water-Filled-Dumbbells-Set-Man-Women-Adjustable-Free-Up-Exercise-Weightlifting-Training-Tool/121205257?wmlspartner=wlpa&selectedSellerId=101033462> (Year: 2021).\*

\* cited by examiner

*Primary Examiner* — Catherine R Oliver-Garcia  
(74) *Attorney, Agent, or Firm* — Dority & Manning, P.A.

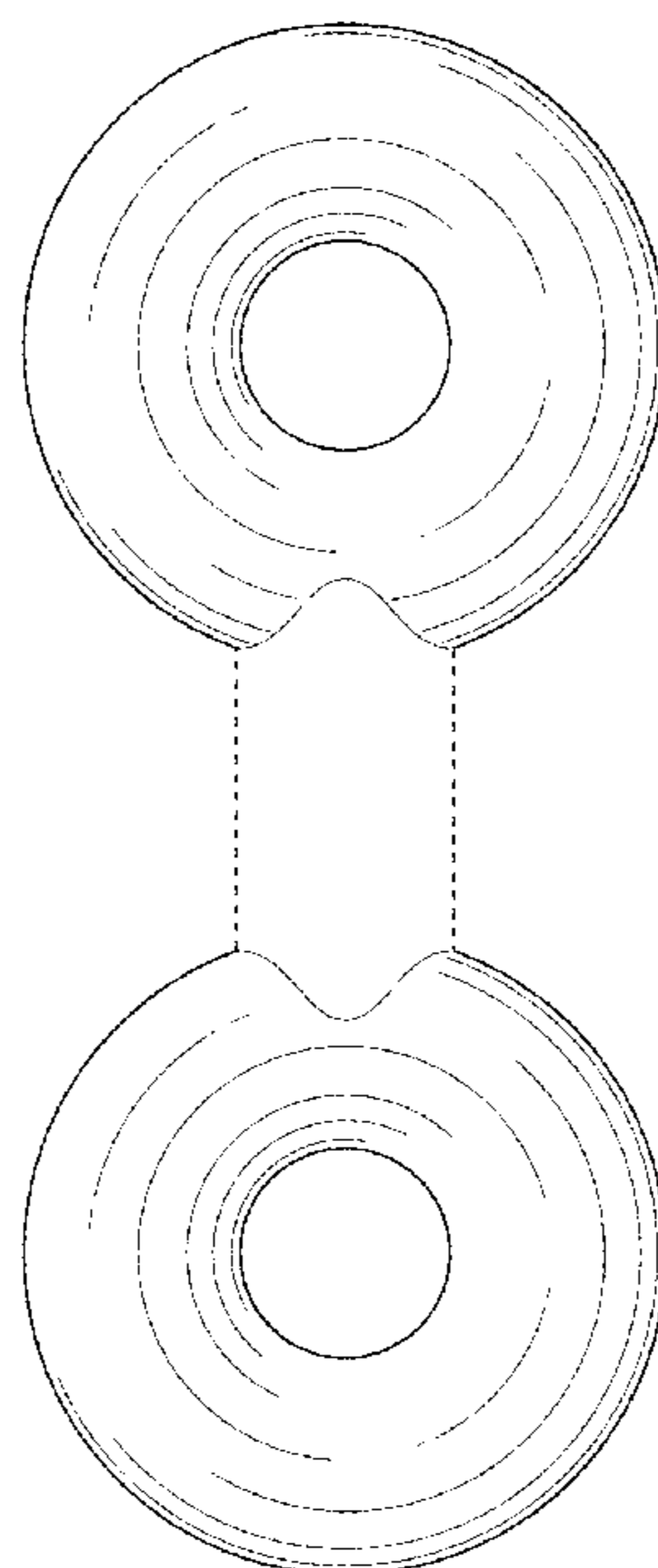
(57) **CLAIM**

The ornamental design for a fishhook accessory, as shown and described.

**DESCRIPTION**

FIG. 1 is a perspective view of the fishhook accessory; FIG. 2 is a front view of the fishhook accessory of FIG. 1; FIG. 3 is a back view of the fishhook accessory of FIG. 1; FIG. 4 is a side view of the fishhook accessory of FIG. 1; FIG. 5 is another side view of the fishhook accessory of FIG. 1; FIG. 6 is a top view of the fishhook accessory of FIG. 1; and, FIG. 7 is a bottom view of fishhook accessory of FIG. 1. The broken lines shown in the Figures represent portions of the fishhook accessory that form no part of the claimed design.

**1 Claim, 4 Drawing Sheets**



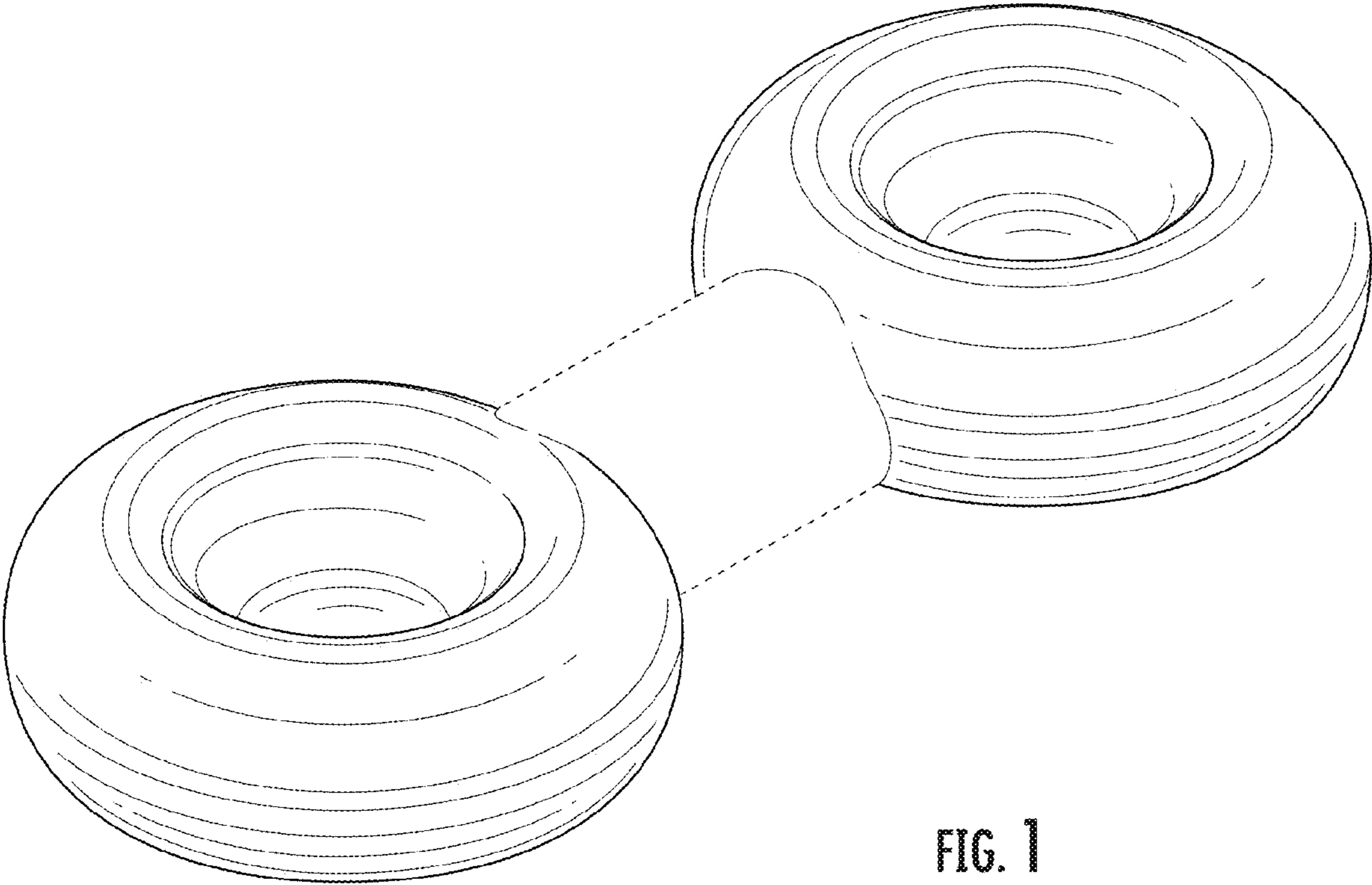


FIG. 1

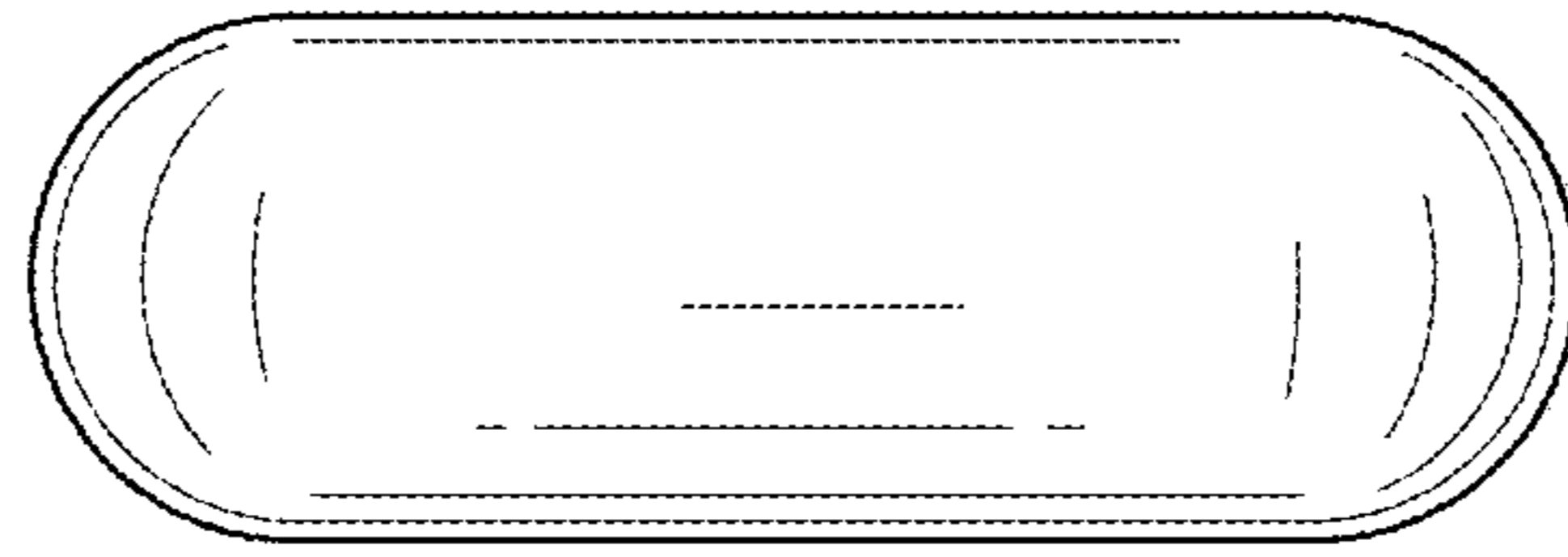


FIG. 2

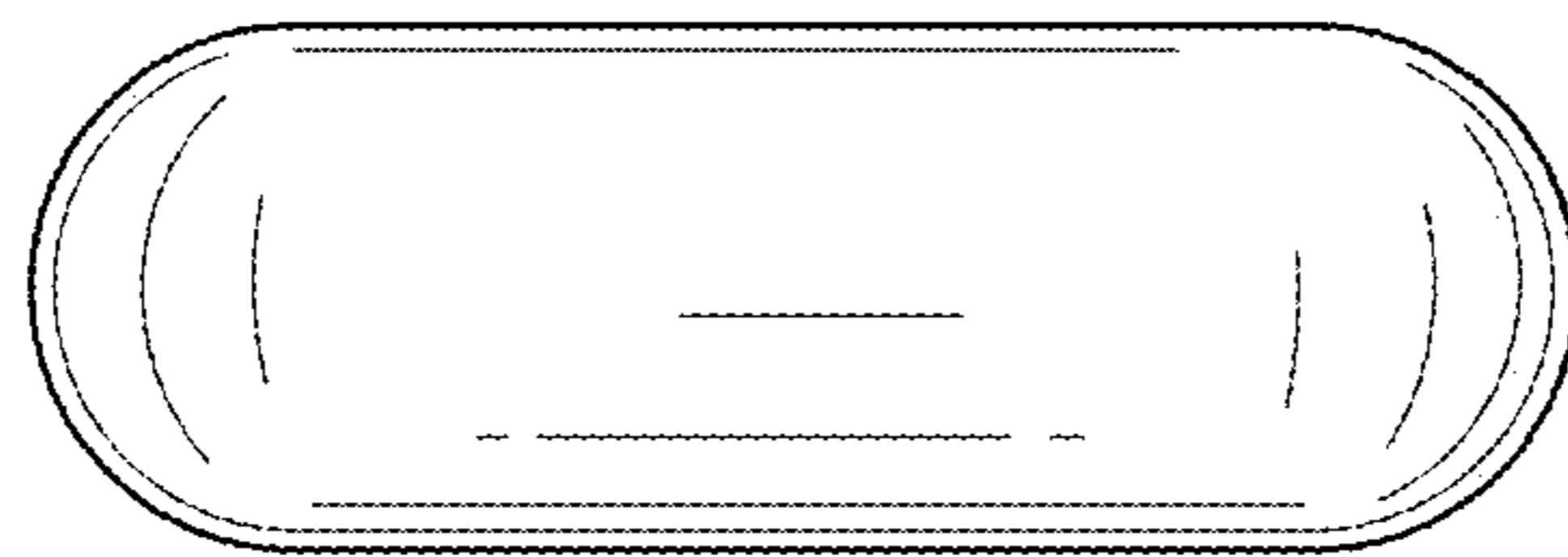


FIG. 3

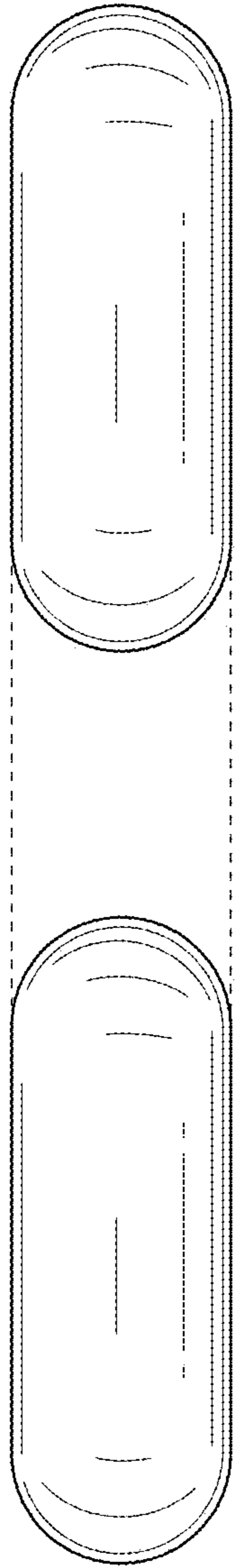


FIG. 4

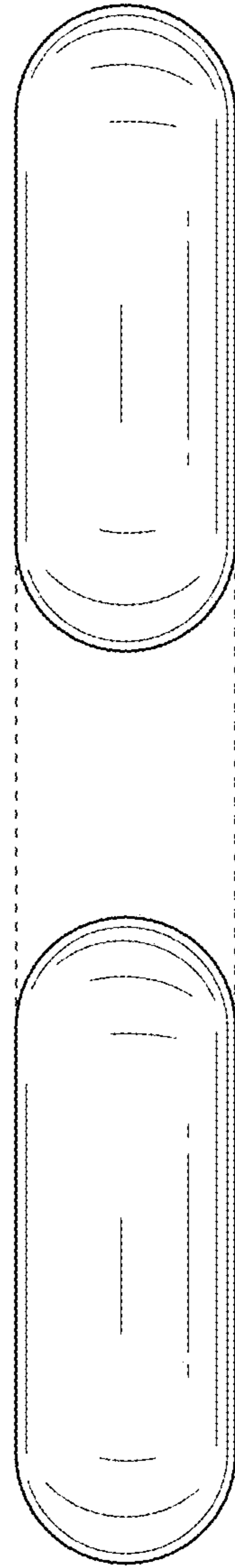


FIG. 5

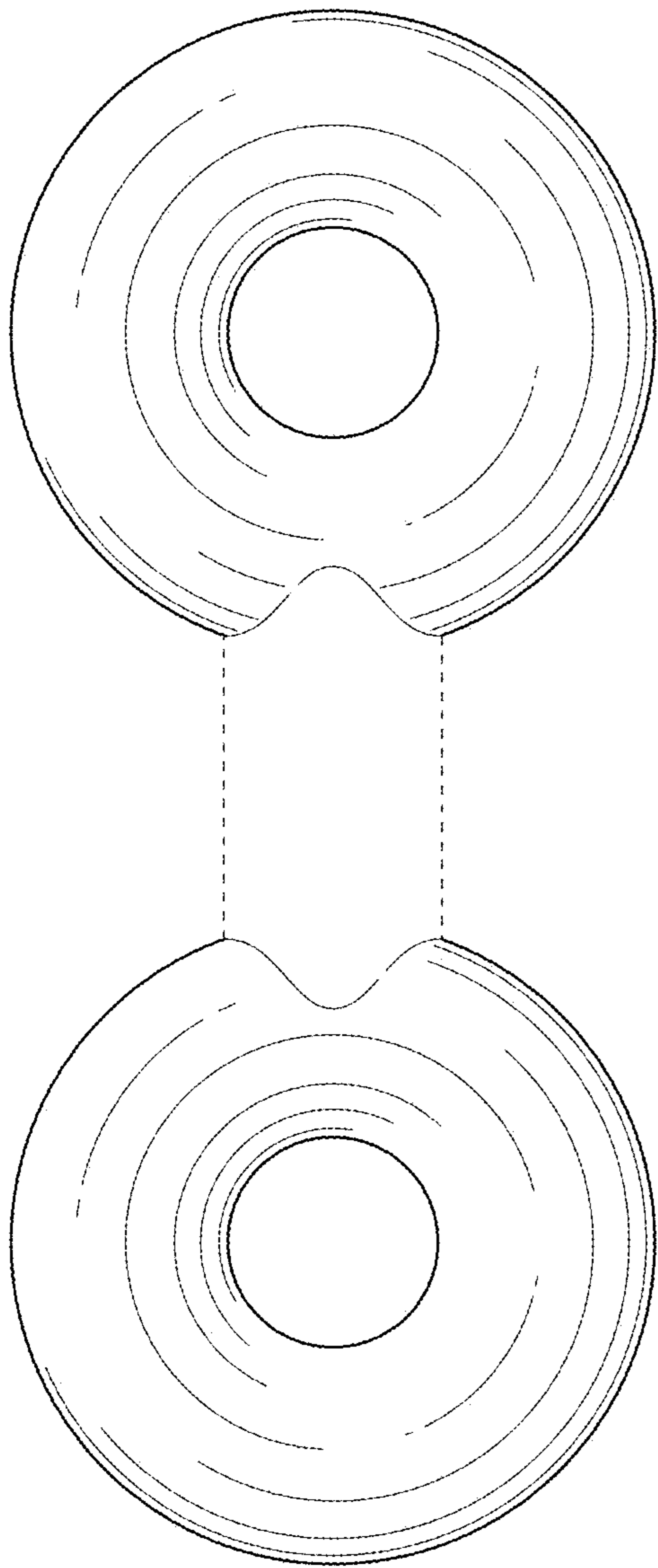


FIG. 6

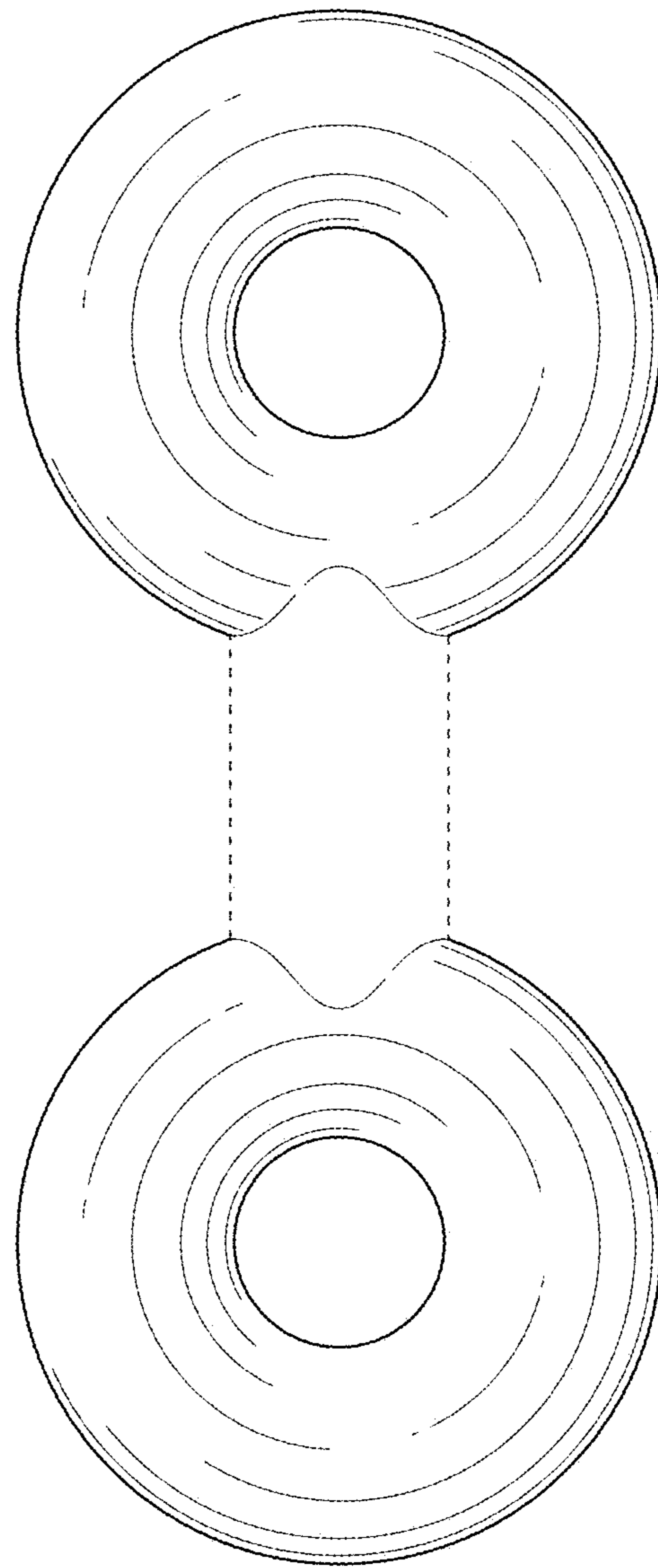


FIG. 7