



US00D946689S

(12) **United States Design Patent**  
**Williams**

(10) **Patent No.:** **US D946,689 S**  
(45) **Date of Patent:** **\*\* Mar. 22, 2022**

(54) **FLY TRAP COVER**

(71) Applicant: **John Raymond Williams**, Waddell, AZ  
(US)

(72) Inventor: **John Raymond Williams**, Waddell, AZ  
(US)

(\*\*) Term: **15 Years**

(21) Appl. No.: **29/732,842**

(22) Filed: **Apr. 28, 2020**

(51) **LOC (13) Cl.** ..... **22-06**

(52) **U.S. Cl.**  
USPC ..... **D22/122**

(58) **Field of Classification Search**  
USPC ..... D22/122  
CPC ..... A01K 61/80; A01M 1/02; A01M 1/04;  
A01M 1/106; A01M 1/20; A01M 1/10;  
A01M 1/00; A01M 1/2016; A01M  
2200/012

See application file for complete search history.

(56) **References Cited**

**U.S. PATENT DOCUMENTS**

601,953 A	4/1898	Engelbrecht	
632,303 A	9/1899	Wuerfel	
816,499 A	3/1906	Pierce	
923,368 A	6/1909	Myser	
972,873 A	10/1910	Kossow	
992,158 A	5/1911	Carpenter	
995,886 A	6/1911	Means	
1,013,320 A	1/1912	Schmidt	
1,017,644 A	2/1912	Bolick	
3,855,727 A	12/1974	Canoy	
4,501,088 A	2/1985	Boisvert et al.	
5,231,792 A	8/1993	Warner	
5,243,781 A	9/1993	Carter	
5,392,558 A *	2/1995	Blomquist	..... A01M 1/02 43/107
5,842,305 A	12/1998	Liao	
6,722,080 B2	4/2004	Carter	

(Continued)

**OTHER PUBLICATIONS**

www\_ebay\_com\_item1, Jan. 26, 2019.  
www\_ebay\_com\_item2, Jan. 26, 2019.  
www\_ebay\_com\_item3, Jan. 26, 2019.

*Primary Examiner* — Catherine R Oliver-Garcia  
(74) *Attorney, Agent, or Firm* — Mark V. Loen

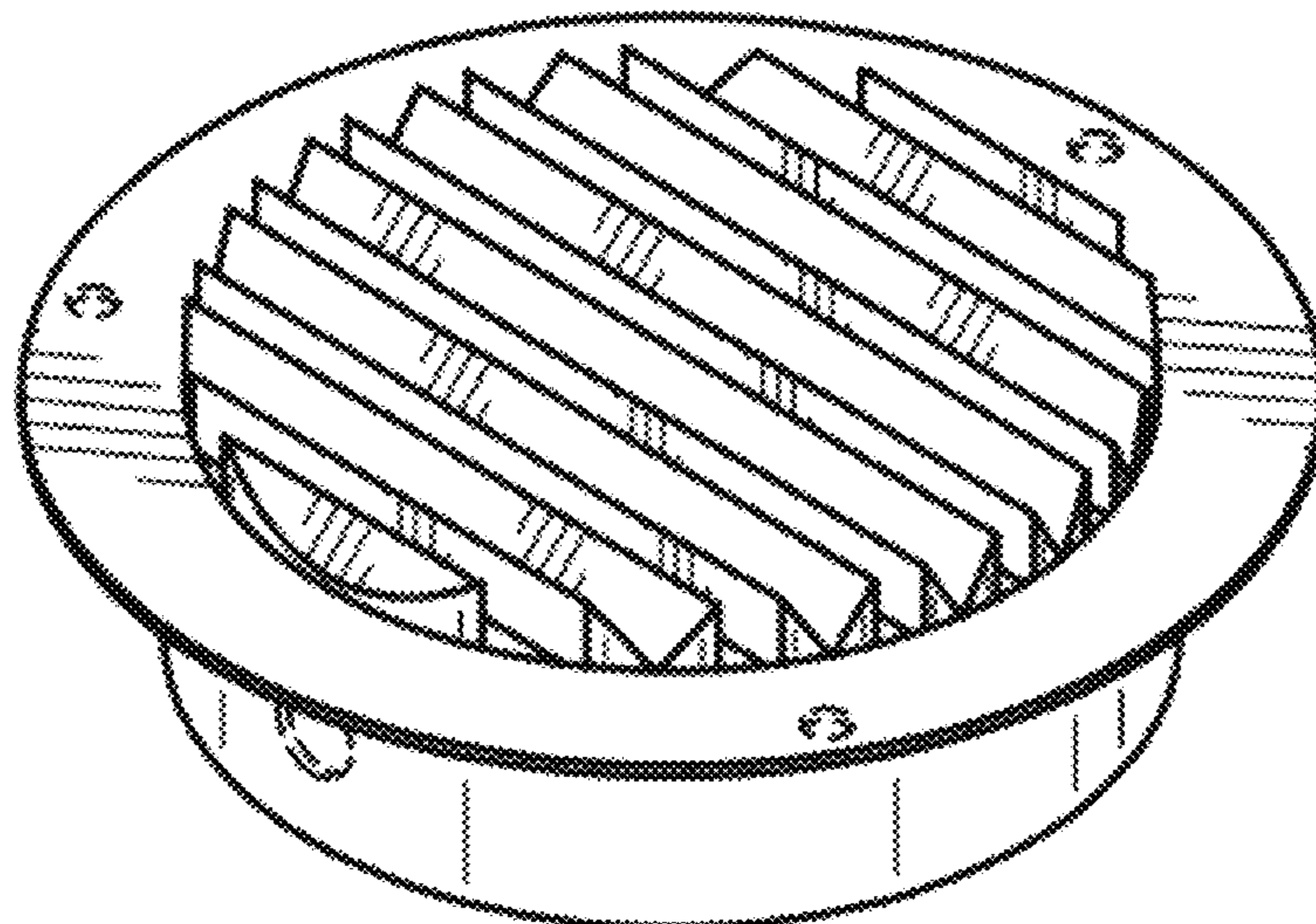
(57) **CLAIM**

The ornamental design for a fly trap cover, as shown and described.

**DESCRIPTION**

FIG. 1 is a front view of a fly trap cover;  
FIG. 2 is a right side view thereof, the left side view being a mirror image;  
FIG. 3 is a top view thereof;  
FIG. 4 is a bottom view thereof;  
FIG. 5 is an isometric view thereof;  
FIG. 6 is an isometric view thereof showing the fly trap cover in a condition of use;  
FIG. 7 is a front view of the fly trap cover in an alternate embodiment;  
FIG. 8 is a right side view thereof, the left side view being a mirror image;  
FIG. 9 is a top view thereof;  
FIG. 10 is a bottom view thereof;  
FIG. 11 is an isometric view thereof; and,  
FIG. 12 is an isometric view thereof showing the fly trap cover in a condition of use.  
The broken line showing of the mounting holes and the bait filling hole in FIGS. 1, 3-7, 9 and 10-12 is included for the purpose of illustration only and forms no part of the claimed design. The broken line showing of the cutout fly trap netting and wire frame in FIGS. 6 and 12 is included for the purpose of illustration only and forms no part of the claimed design.

**1 Claim, 6 Drawing Sheets**



(56)

**References Cited**

U.S. PATENT DOCUMENTS

D566,223	S *	4/2008	White .....	D22/122
D837,335	S *	1/2019	DiMeo .....	D22/122
D871,540	S *	12/2019	Chapin .....	D22/122
D888,877	S *	6/2020	White .....	D22/122
D916,227	S *	4/2021	Lesniak .....	A01M 1/02 D22/122
D928,272	S *	8/2021	Lesniak .....	A01M 1/10 D22/122
2006/0042154	A1 *	3/2006	Rich .....	A01M 1/10 43/107
2018/0325089	A1 *	11/2018	Willert .....	A01M 1/106
2019/0230914	A1	8/2019	Williams	
2021/0076654	A1 *	3/2021	Bjorkgren .....	A01M 1/02

\* cited by examiner

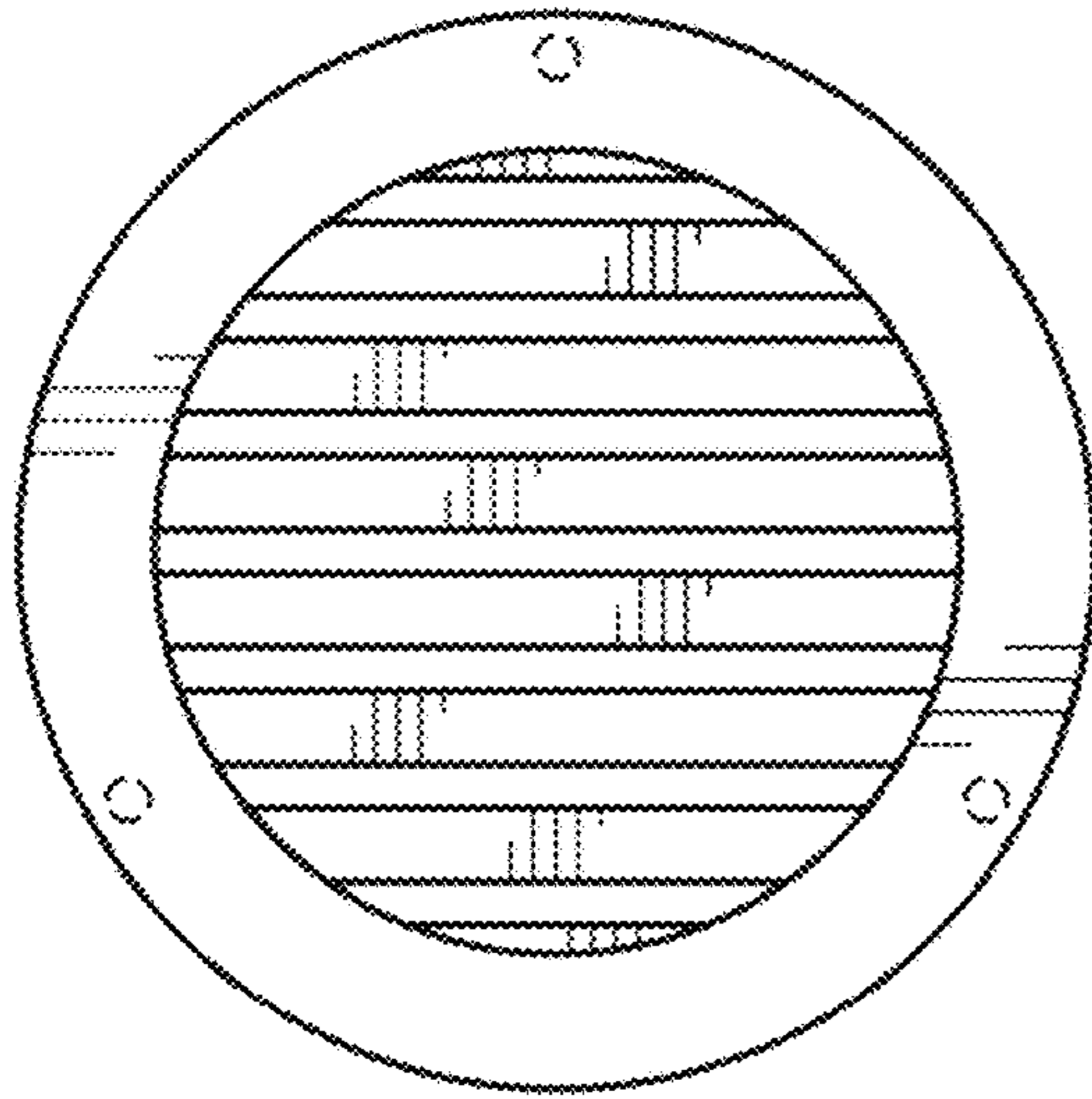


Fig. 3

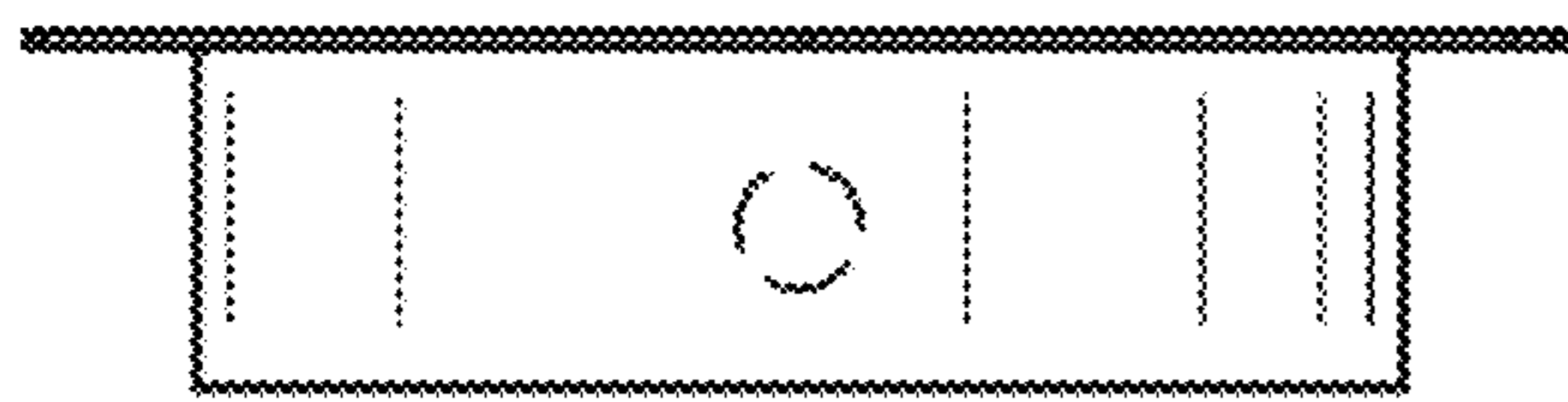


Fig. 1



Fig. 2

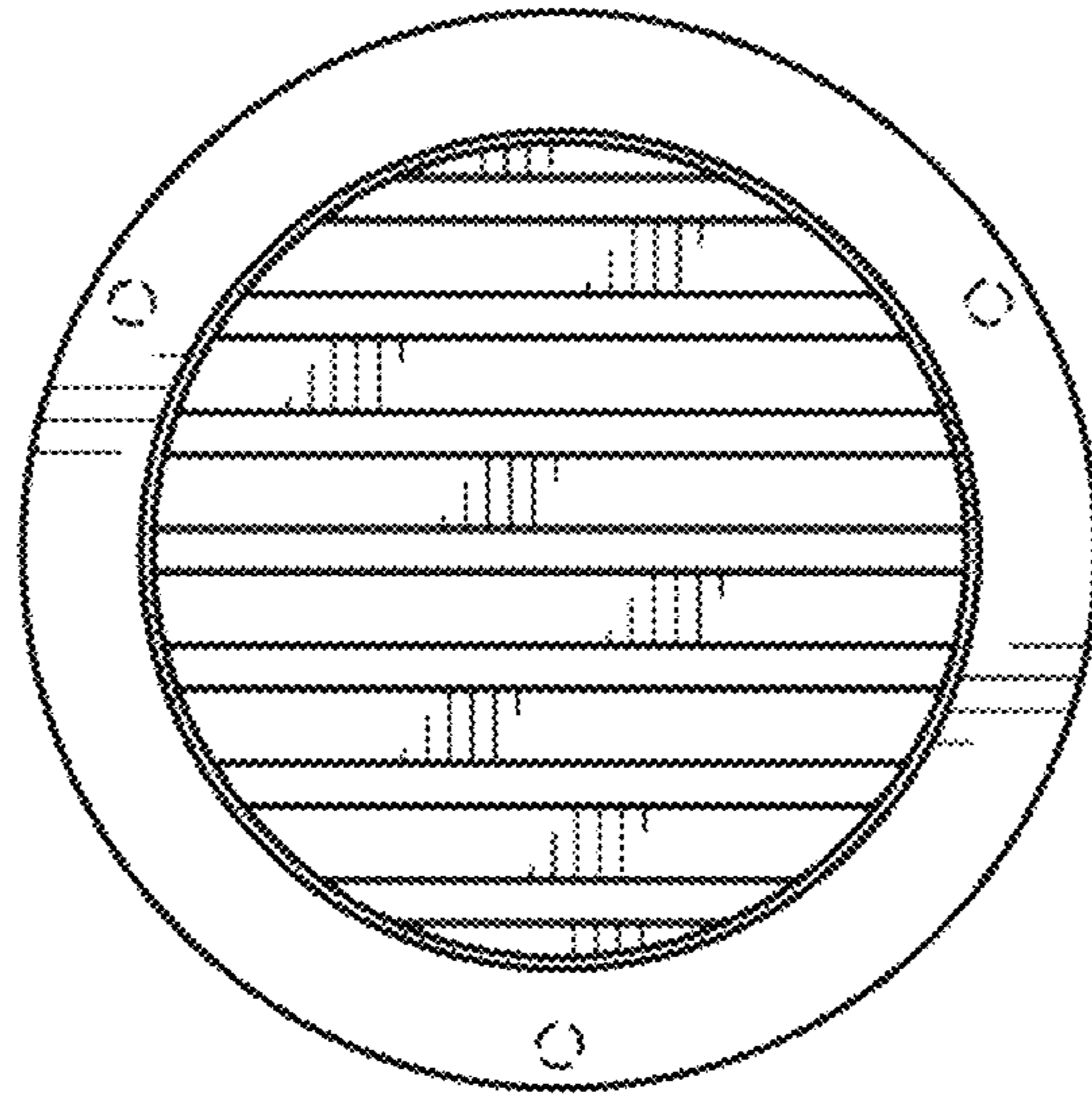


Fig. 4

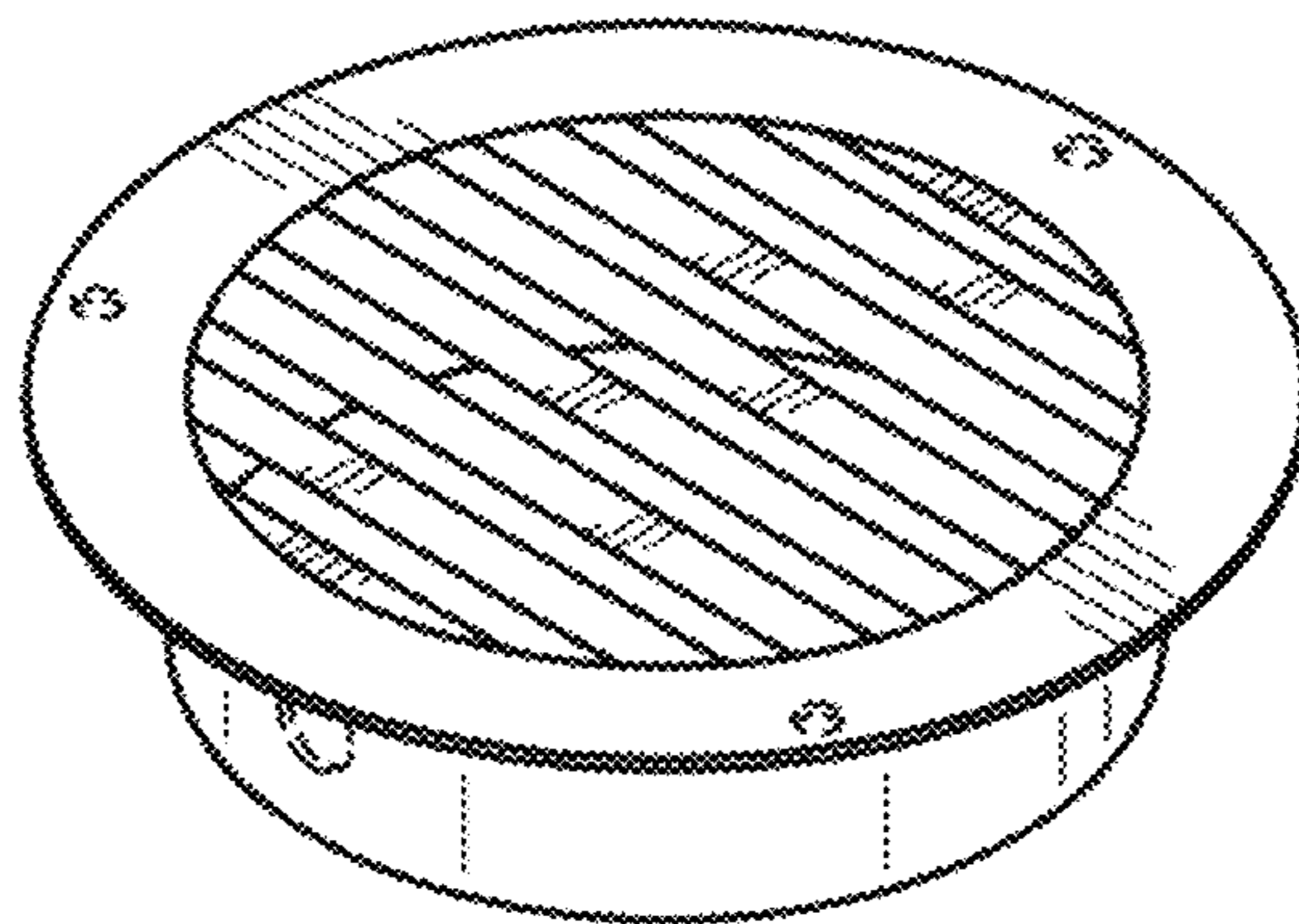


Fig. 5

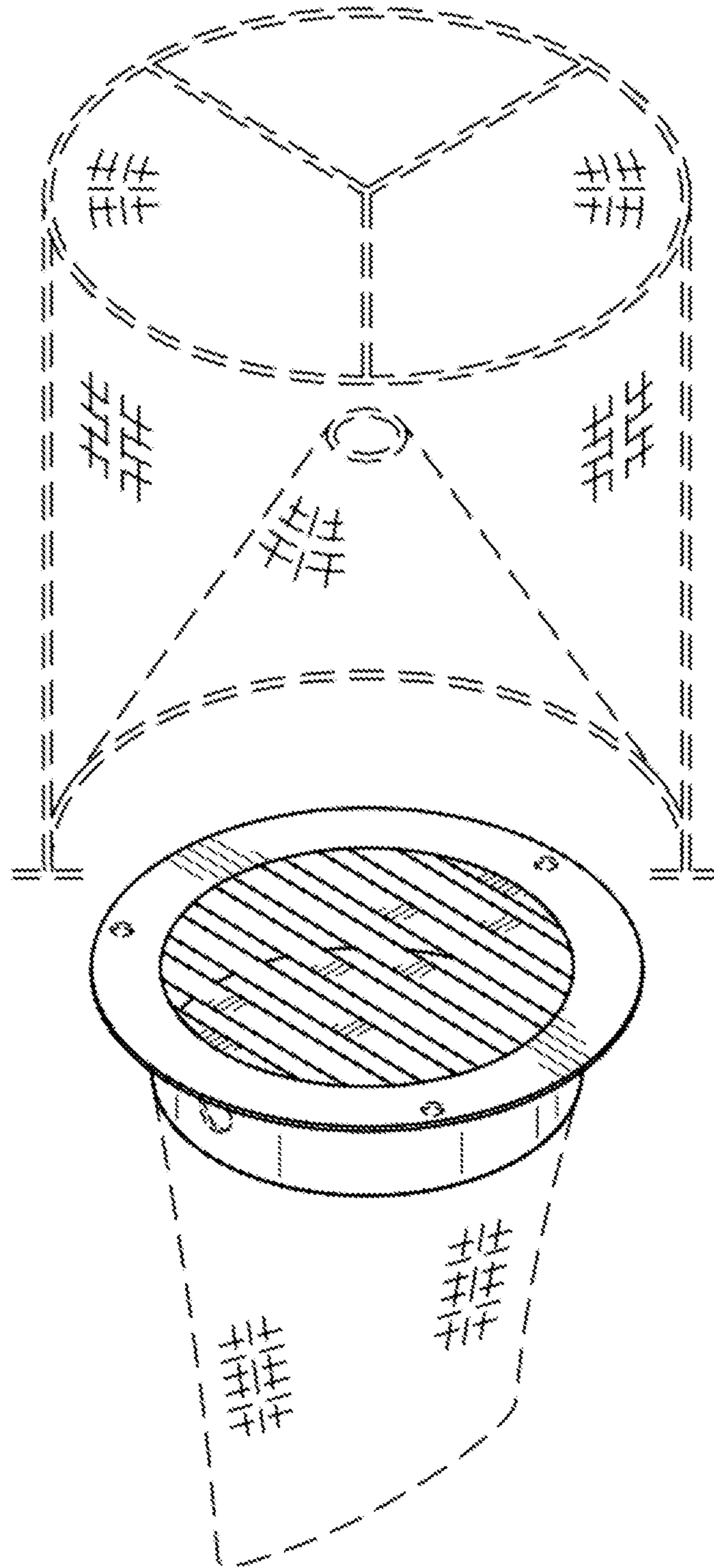


Fig. 6

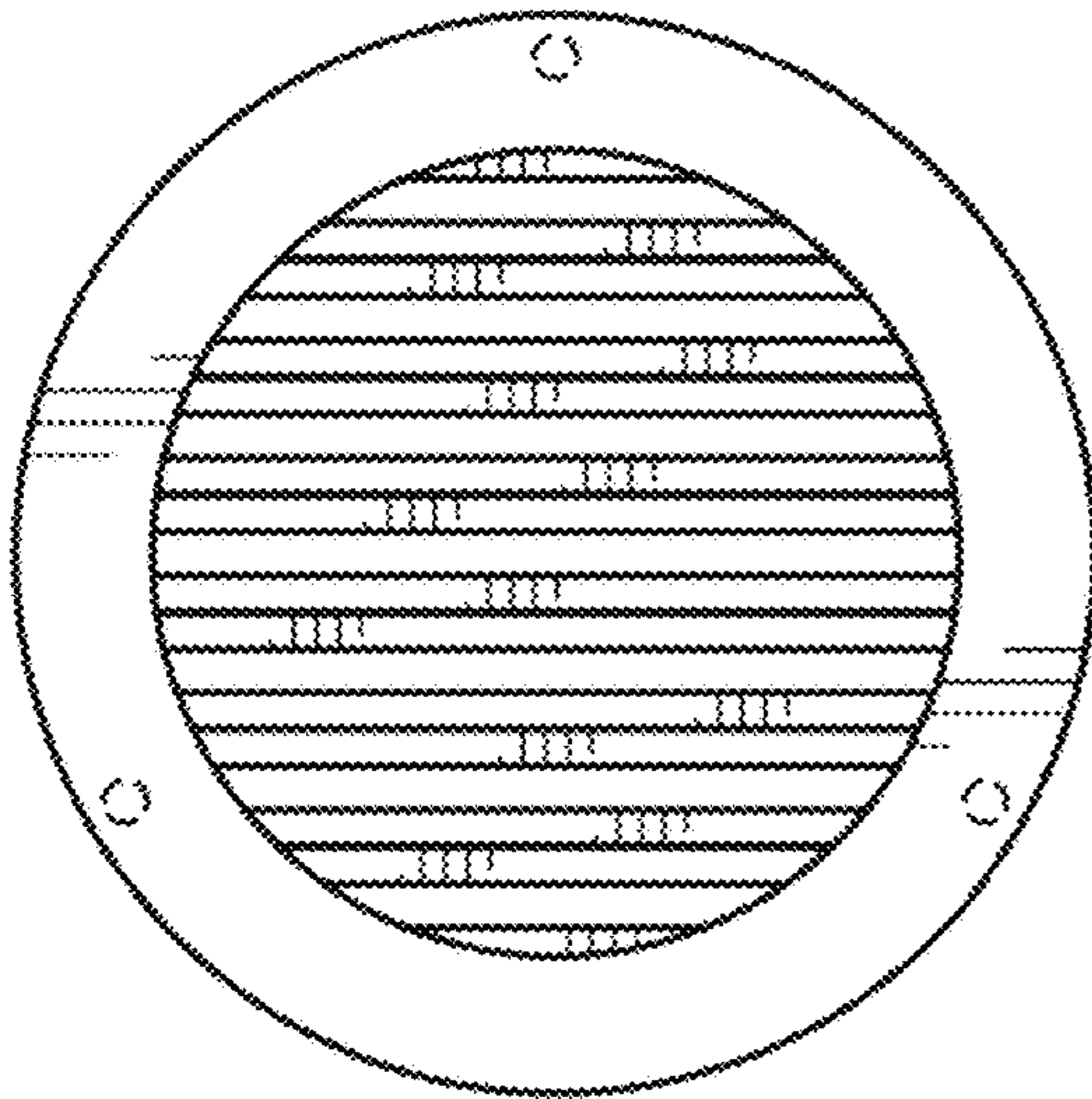


Fig. 9

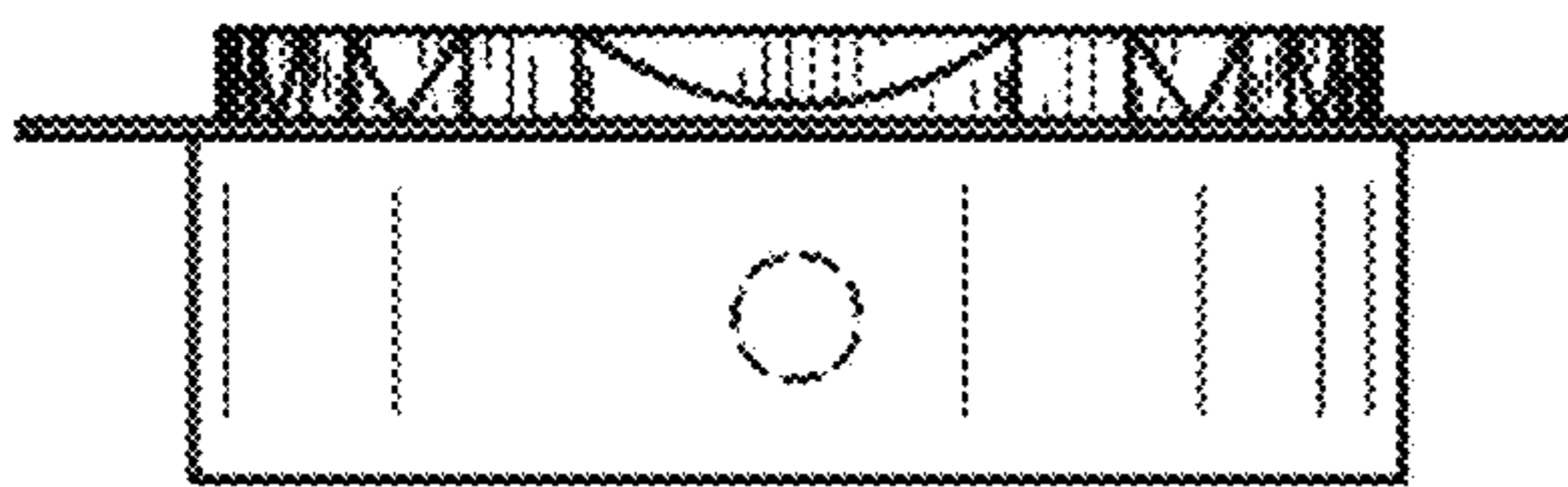


Fig. 7

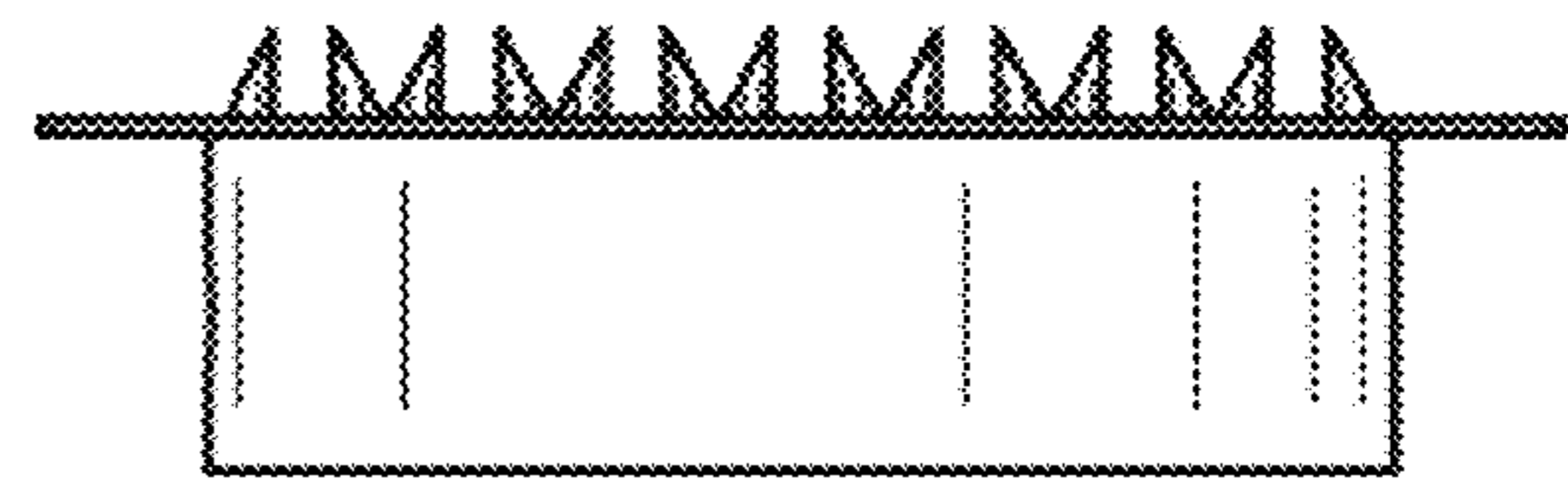


Fig. 8

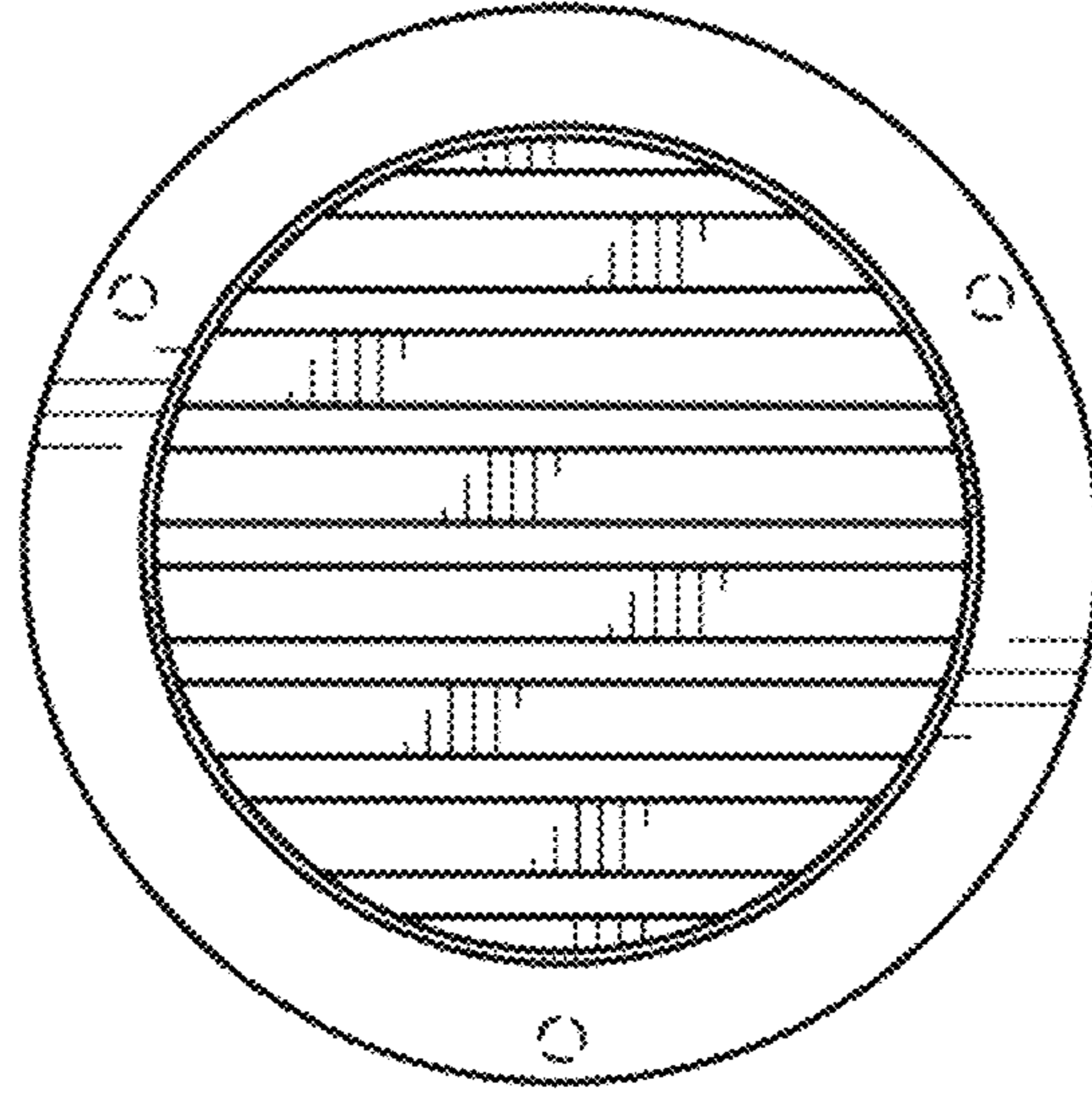


Fig. 10

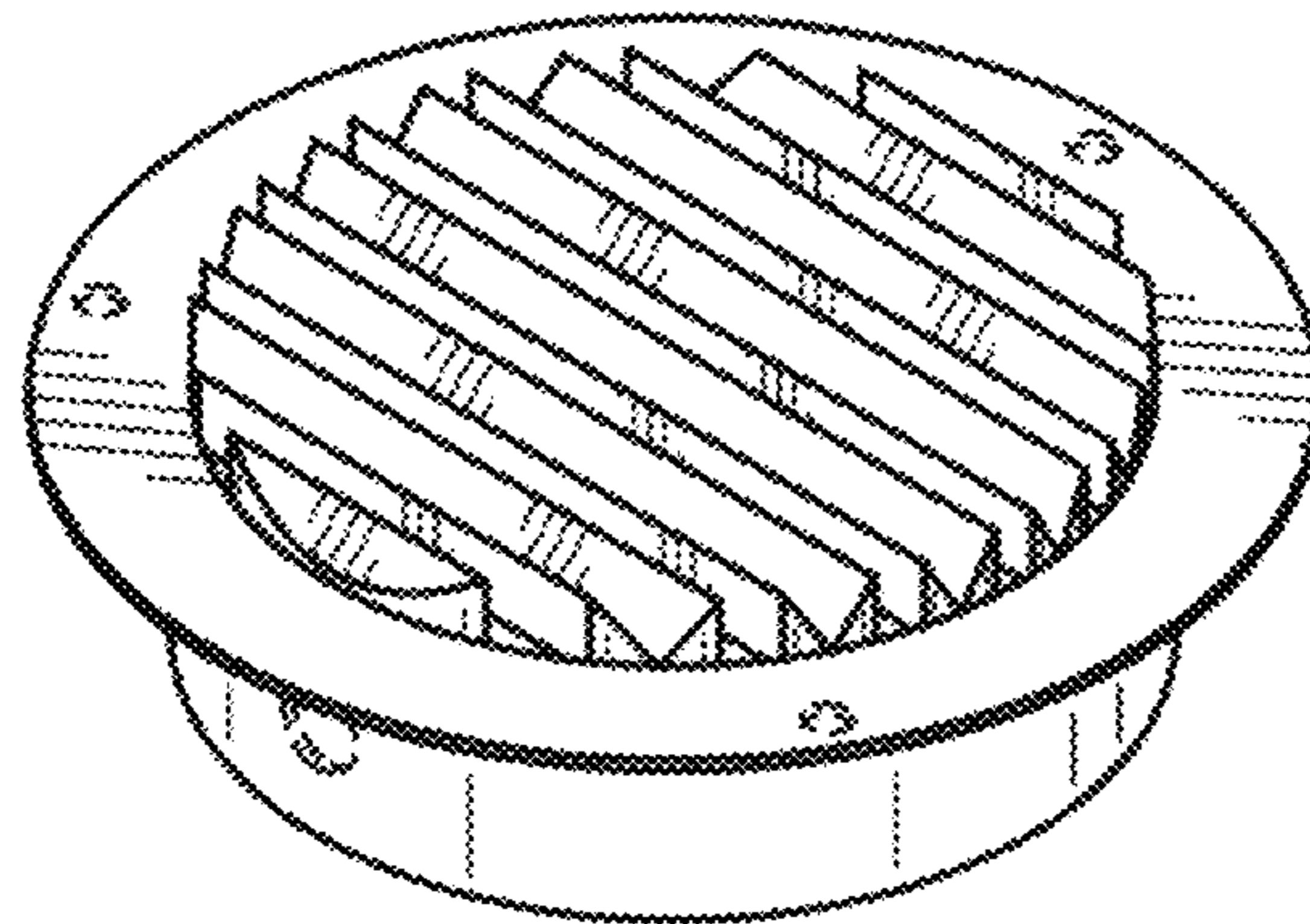


Fig. 11

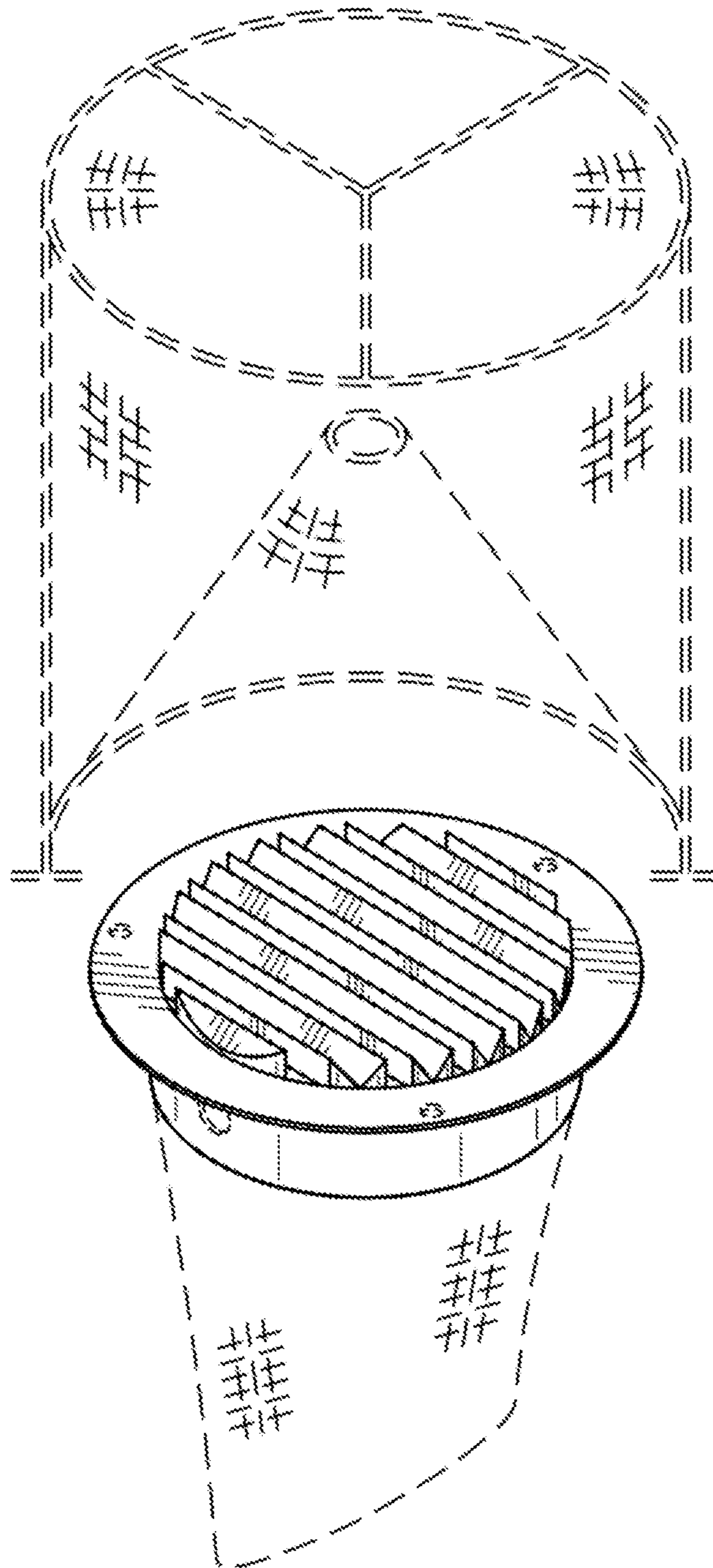


Fig. 12