

US00D946688S

(12) **United States Design Patent**
Chen

(10) **Patent No.:** **US D946,688 S**
(45) **Date of Patent:** **** Mar. 22, 2022**

(54) **MAGAZINE LOADER**

(71) Applicant: **Sheng Chen**, Ningbo (CN)

(72) Inventor: **Sheng Chen**, Ningbo (CN)

(**) Term: **15 Years**

(21) Appl. No.: **29/778,301**

(22) Filed: **Apr. 12, 2021**

Related U.S. Application Data

(63) Continuation-in-part of application No. 29/757,164, filed on Nov. 4, 2020, now Pat. No. Des. 919,035.

(51) **LOC (13) Cl.** **22-01**

(52) **U.S. Cl.**
USPC **D22/108**

(58) **Field of Classification Search**
USPC D22/108
CPC F41A 9/83; F41A 9/82
See application file for complete search history.

(56) **References Cited**

U.S. PATENT DOCUMENTS

D477,047 S * 7/2003 Springer D22/108
6,754,987 B1 * 6/2004 Cheng F41A 9/83
42/87

7,503,138 B2 * 3/2009 Tal F41A 9/83
42/50
D700,266 S * 2/2014 Tal D22/108
D728,066 S * 4/2015 Tal D22/199
D845,424 S 4/2019 Hefer et al.
D872,217 S * 1/2020 Tal D22/108
D900,270 S 10/2020 Hefer et al.

* cited by examiner

Primary Examiner — Michael A. Pratt

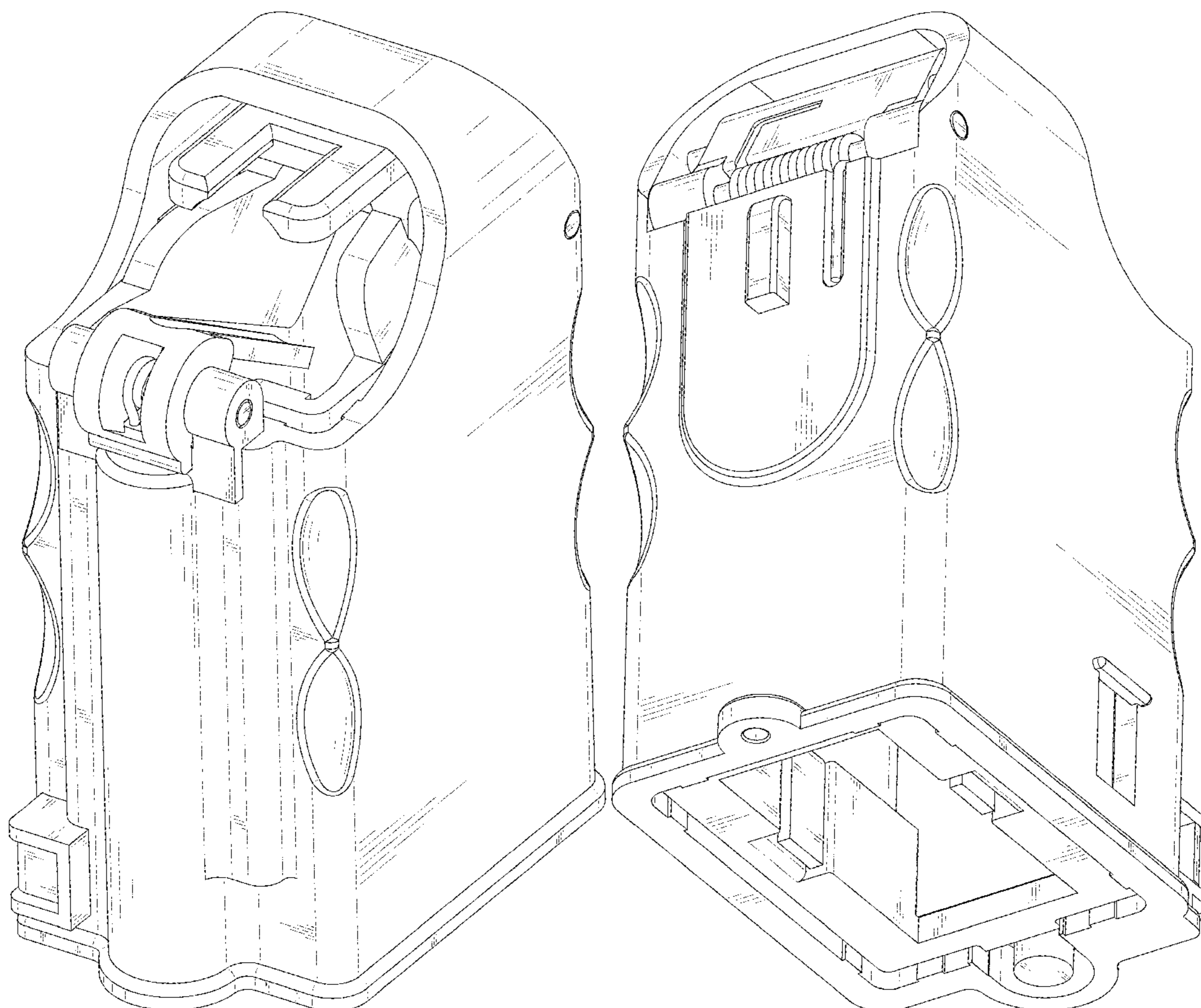
(57) **CLAIM**

The ornamental design for a magazine loader, as shown and described.

DESCRIPTION

FIG. 1 is a perspective view of a magazine loader showing my new design;
FIG. 2 is another perspective view thereof;
FIG. 3 is a front elevational view thereof;
FIG. 4 is a rear elevational view thereof;
FIG. 5 is a left side elevational view thereof;
FIG. 6 is a right side elevational view thereof;
FIG. 7 is a top plan view thereof;
FIG. 8 is a bottom plan view thereof; and,
FIG. 9 is a perspective view of the magazine loader where the magazine loader is in a configuration of use.

1 Claim, 9 Drawing Sheets



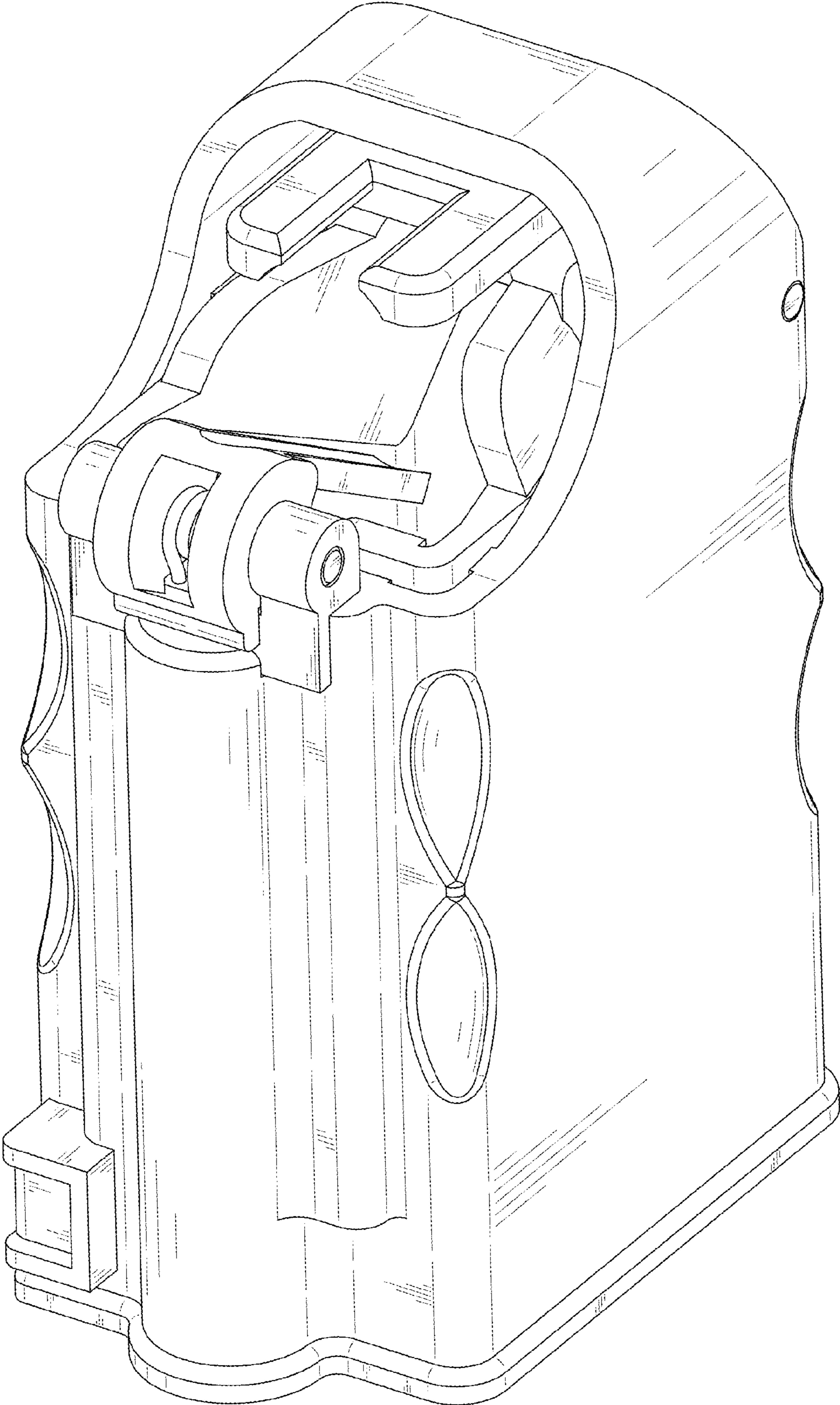


FIG. 1

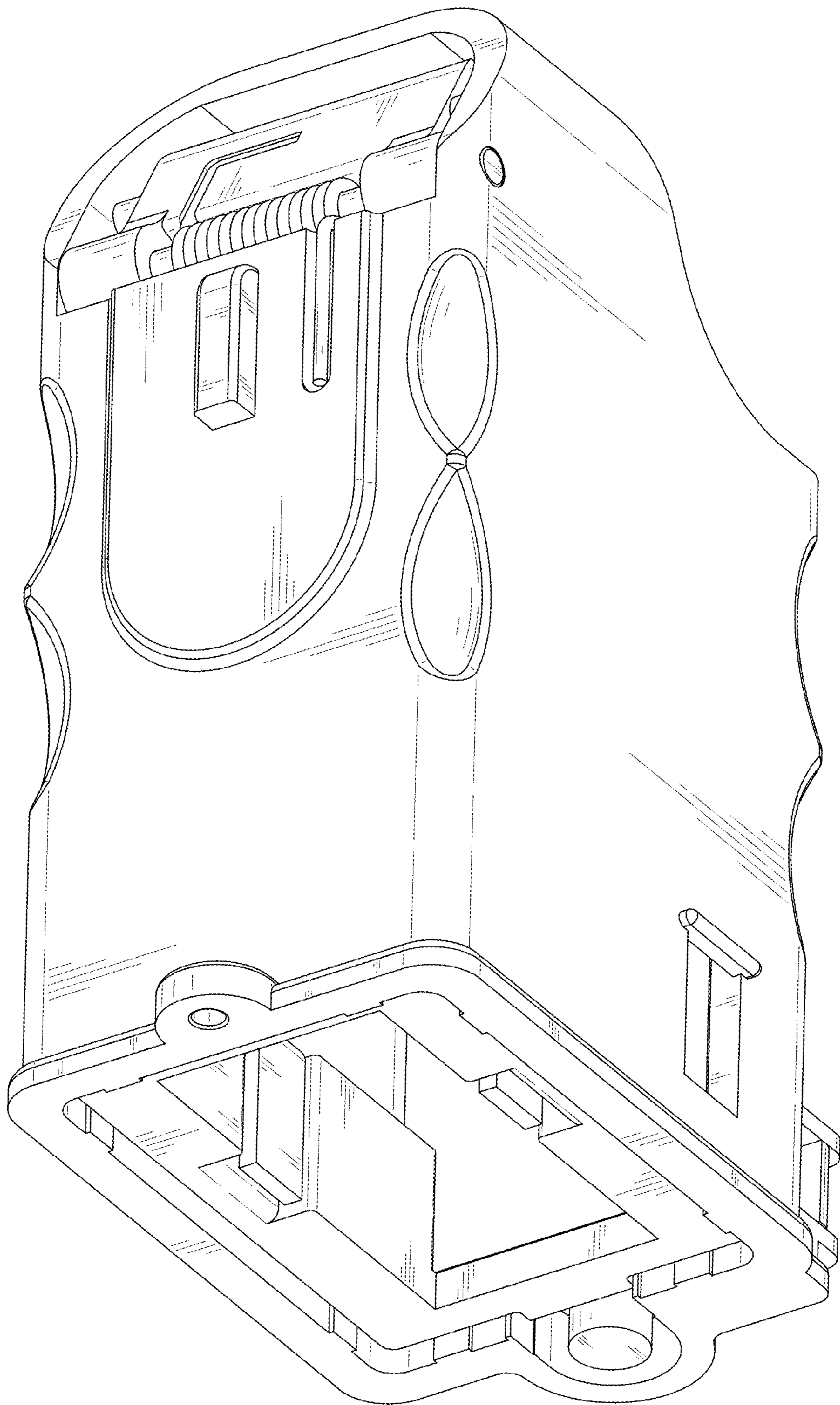


FIG. 2

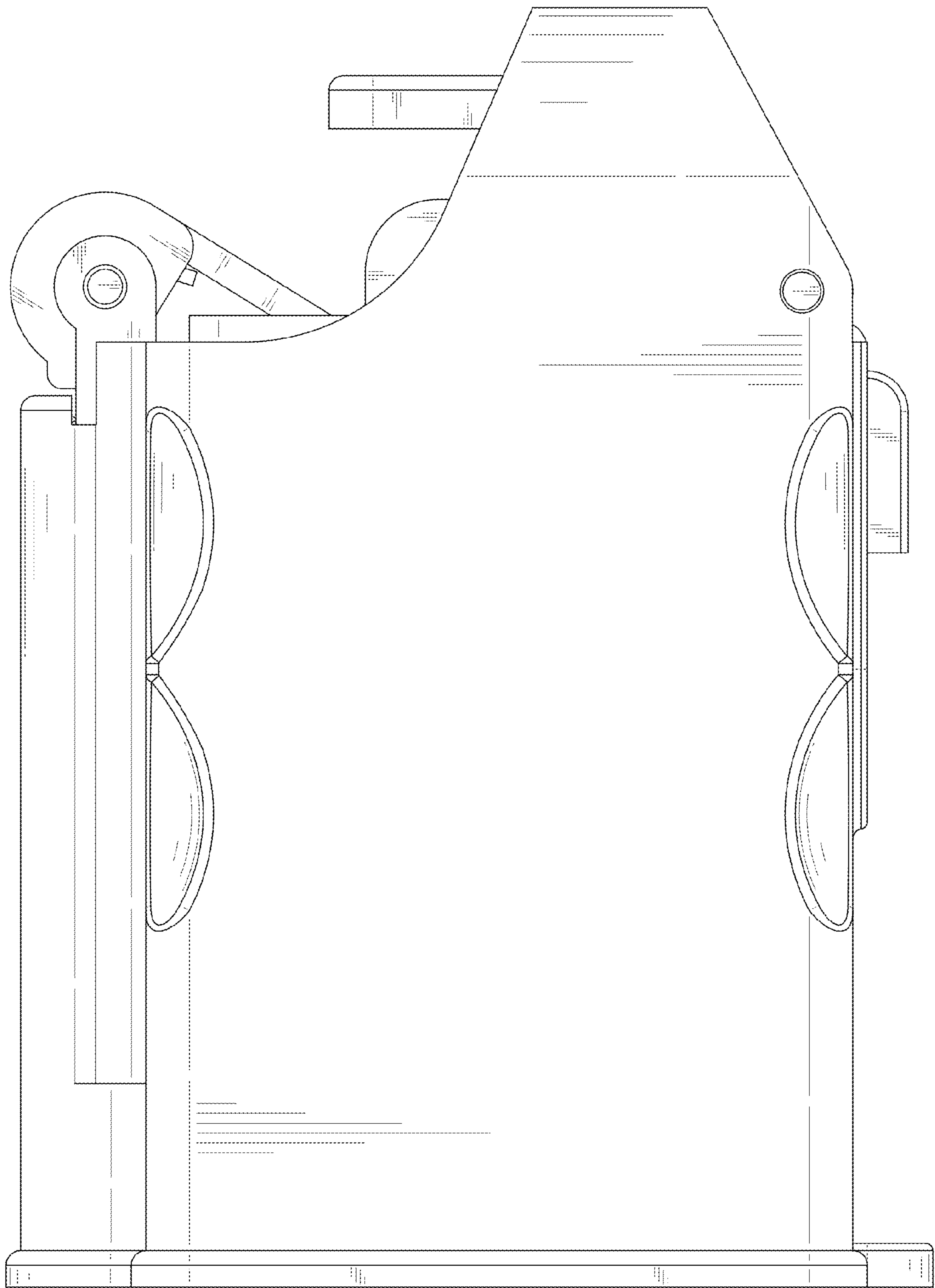


FIG. 3

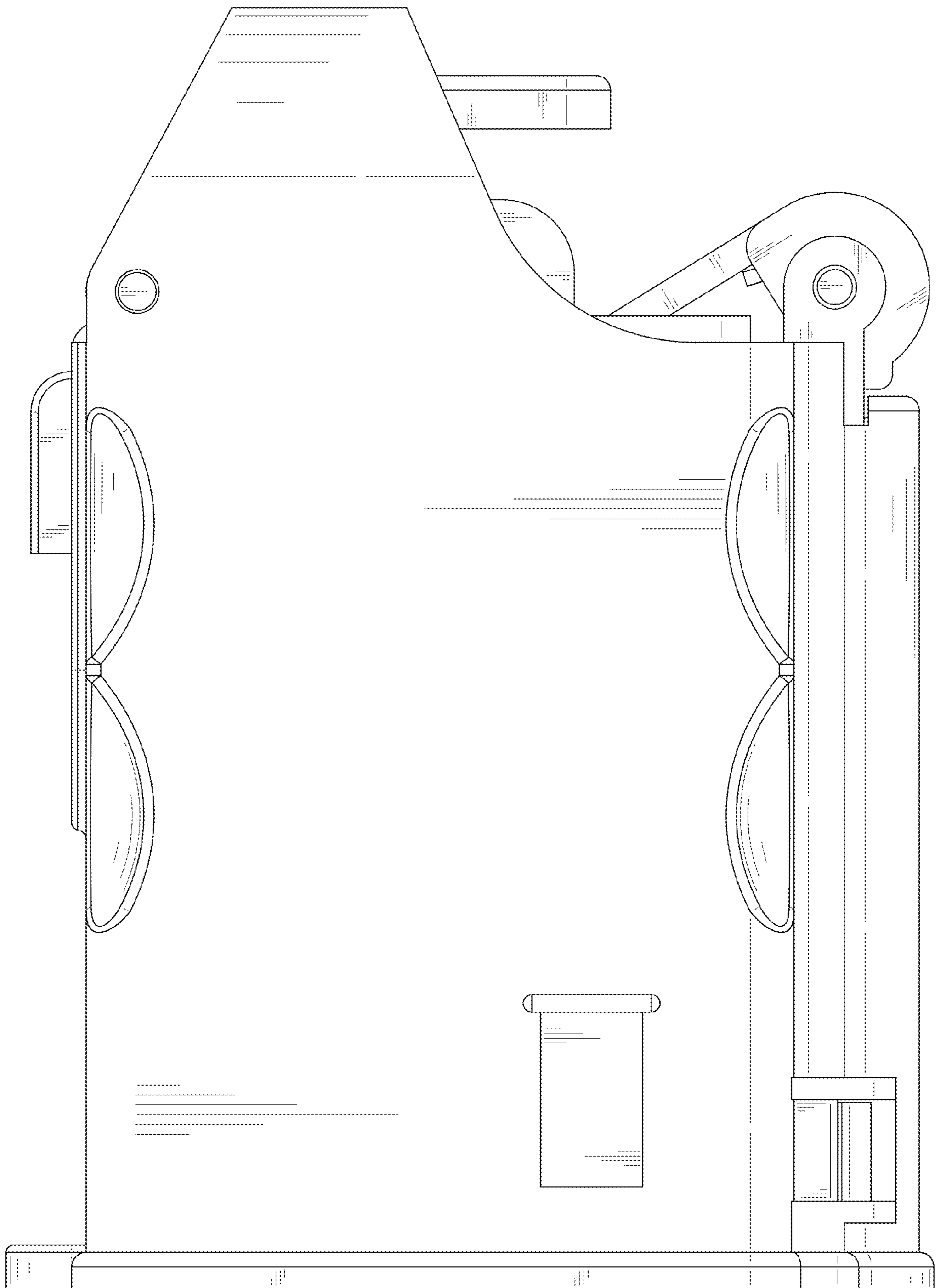


FIG. 4

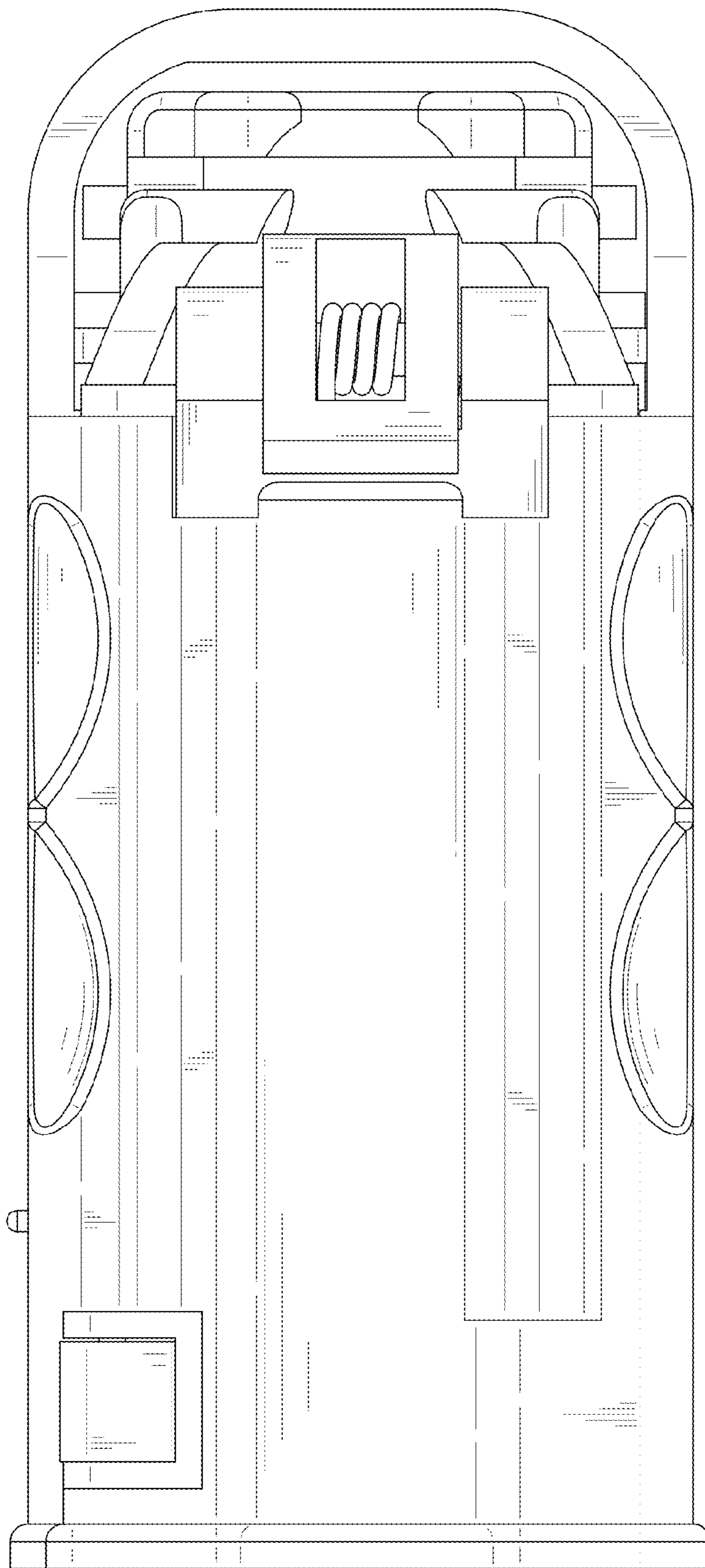


FIG. 5

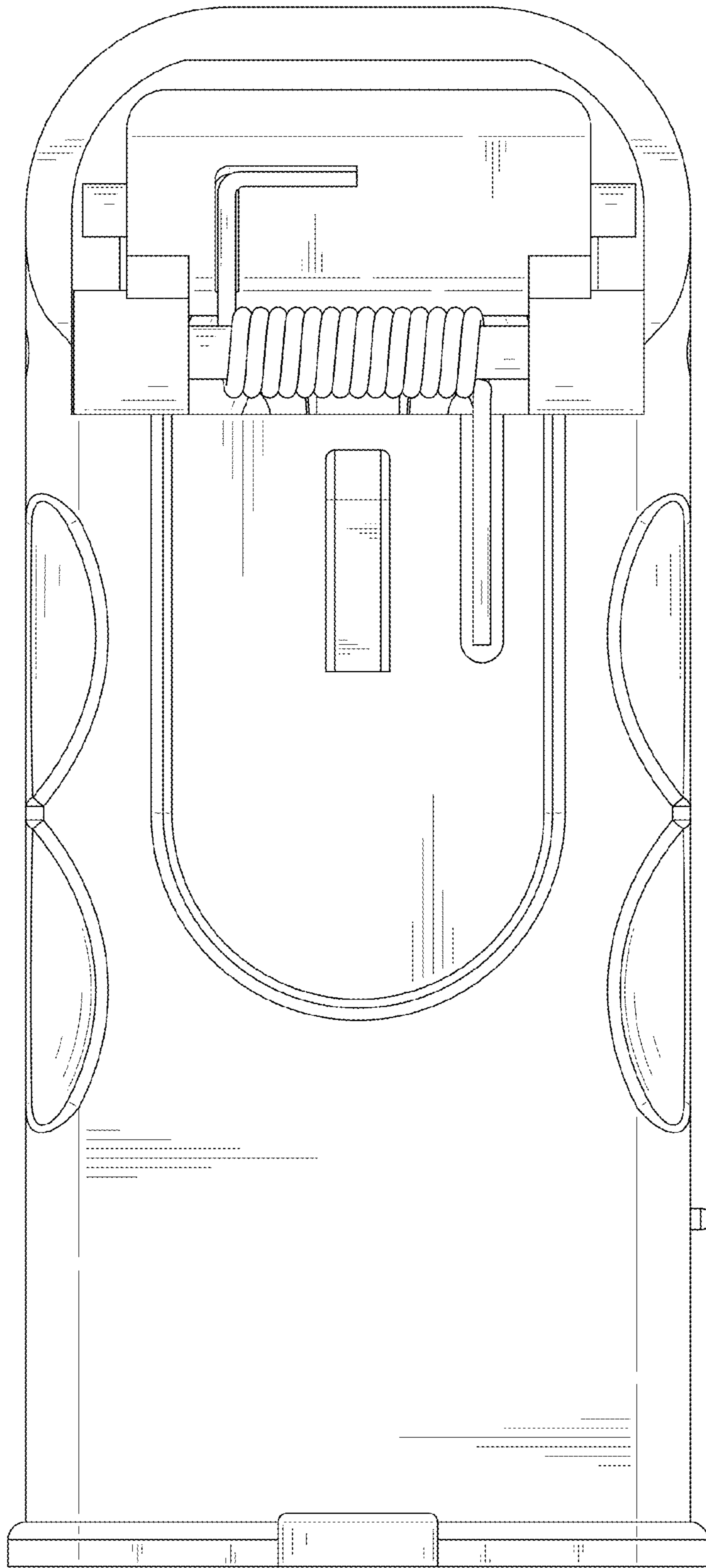


FIG. 6

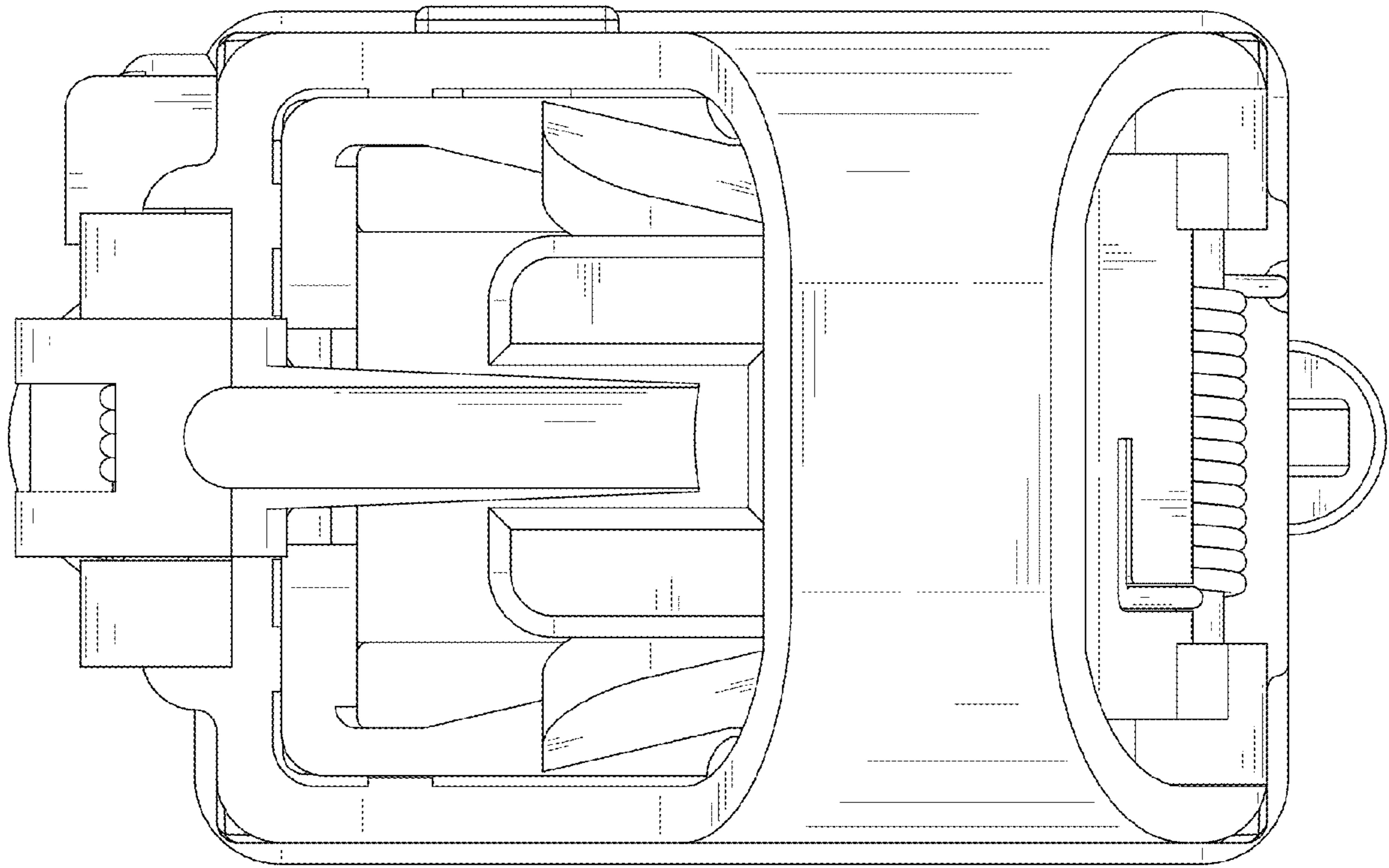


FIG. 7

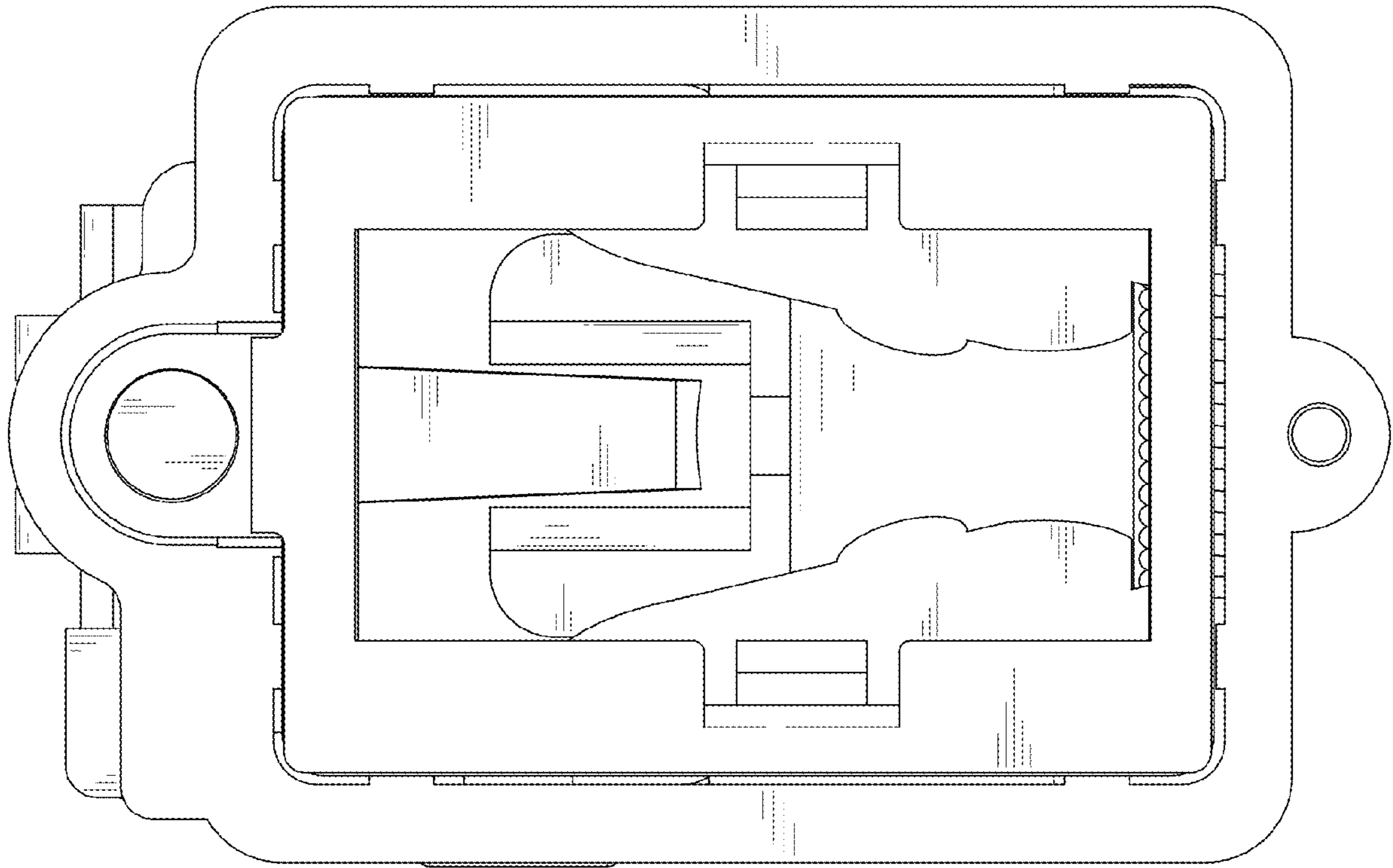


FIG. 8

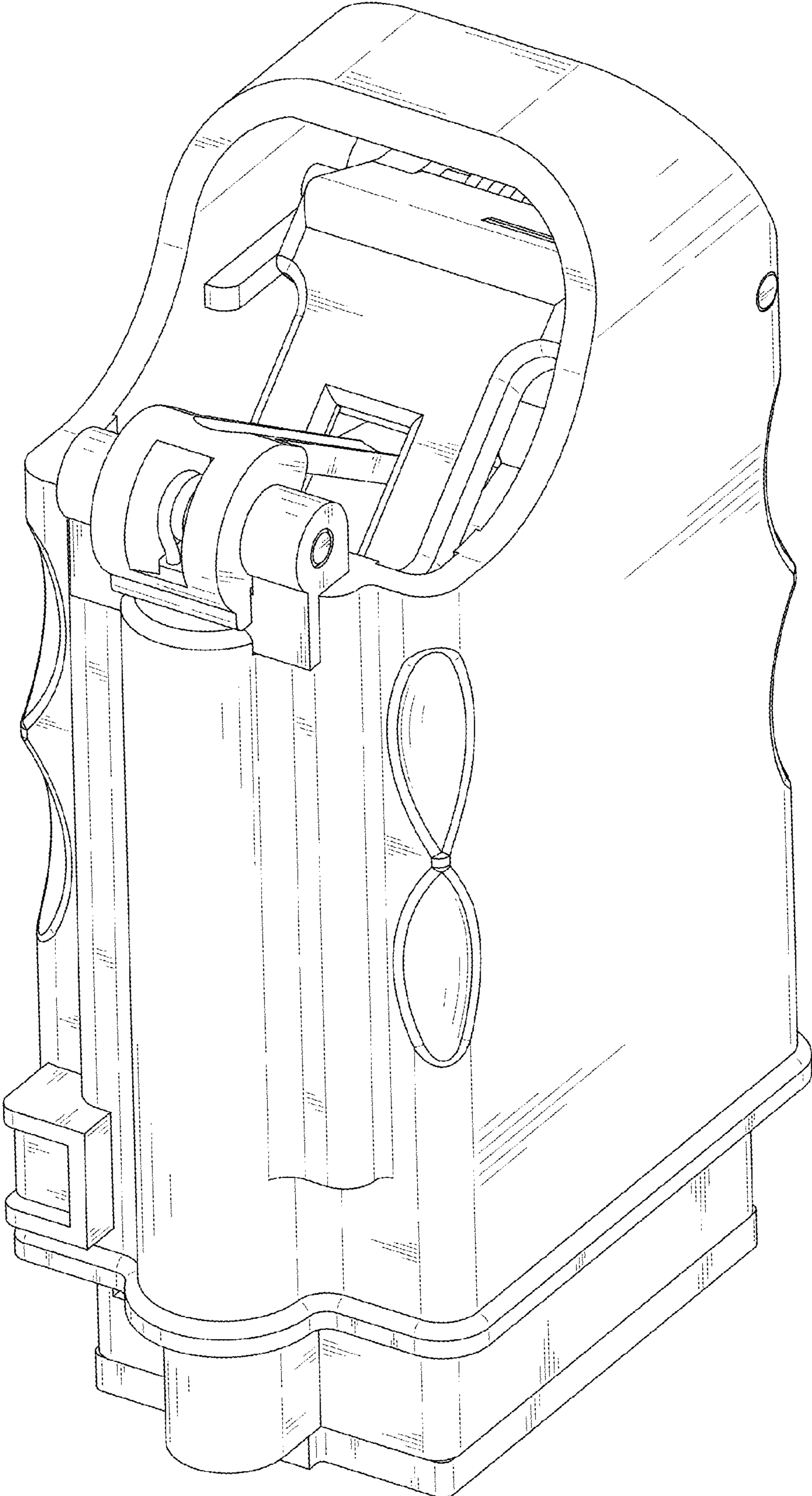


FIG. 9