



US00D946687S

(12) **United States Design Patent**
Gibson

(10) **Patent No.:** **US D946,687 S**
(45) **Date of Patent:** **** Mar. 22, 2022**

(54) **ARCHERY ARM GUARD**

FOREIGN PATENT DOCUMENTS

(71) Applicant: **Ricky Wayne Gibson**, Harrison, AR
(US)

CN 302925151 * 4/2014
KR 300775867.0000 * 2/2014

(72) Inventor: **Ricky Wayne Gibson**, Harrison, AR
(US)

OTHER PUBLICATIONS

(**) Term: **15 Years**

LimbSaver String Decelerator Kit. First Avail: Jun. 8, 2005 [visited:
Oct. 7, 2021] Amazon URL: <https://www.amazon.com/LimbSaver-String-Decelerator-Kit-Black/dp/B006MOAZCG> (Year: 2005).*

(21) Appl. No.: **29/787,706**

(Continued)

(22) Filed: **Jun. 8, 2021**

Primary Examiner — Barbara Fox

(51) **LOC (13) Cl.** **22-01**

Assistant Examiner — Jessie Anne E Touart

(52) **U.S. Cl.**
USPC **D22/107**

(74) *Attorney, Agent, or Firm* — Jonathan A. Bay

(58) **Field of Classification Search**
USPC D22/107; D21/571
CPC F41B 5/148; F41B 5/14; F41B 5/1426;
F41B 5/1442; A63B 71/12; A63B
2244/04

(57) **CLAIM**

The ornamental design for an archery arm guard, as shown and described.

See application file for complete search history.

DESCRIPTION

(56) **References Cited**

FIG. 1 is a perspective view of an archery arm guard showing my new design shown in an environment of use; FIG. 2 is an enlarged-scale perspective view of detail 2-2 in FIG. 1;

U.S. PATENT DOCUMENTS

3,167,062	A *	1/1965	Zwickey	F41B 5/1473 124/23.1
3,304,555	A *	2/1967	Anderson	F41B 5/1473 2/16
3,703,728	A *	11/1972	Saunders	A41D 13/08 2/16
4,787,361	A *	11/1988	Vyprachticky	F41B 5/14 124/24.1
5,103,798	A *	4/1992	McGraw	F41B 5/14 124/23.1
5,137,008	A *	8/1992	Taylor	F41B 5/14 124/23.1
5,464,002	A	11/1995	Lavoie et al.	124/86
5,531,211	A *	7/1996	Wilfong, Jr.	F41B 5/14 124/25.6
6,178,958	B1 *	1/2001	Gallops, Jr.	F41B 5/10 124/25.6

FIG. 3 is an obverse elevational view shown removed from environment for clarity;

FIG. 4 is the opposite elevational view thereof;

FIG. 5 is an outboard side elevational view thereof;

FIG. 6 is an inboard side elevational view thereof;

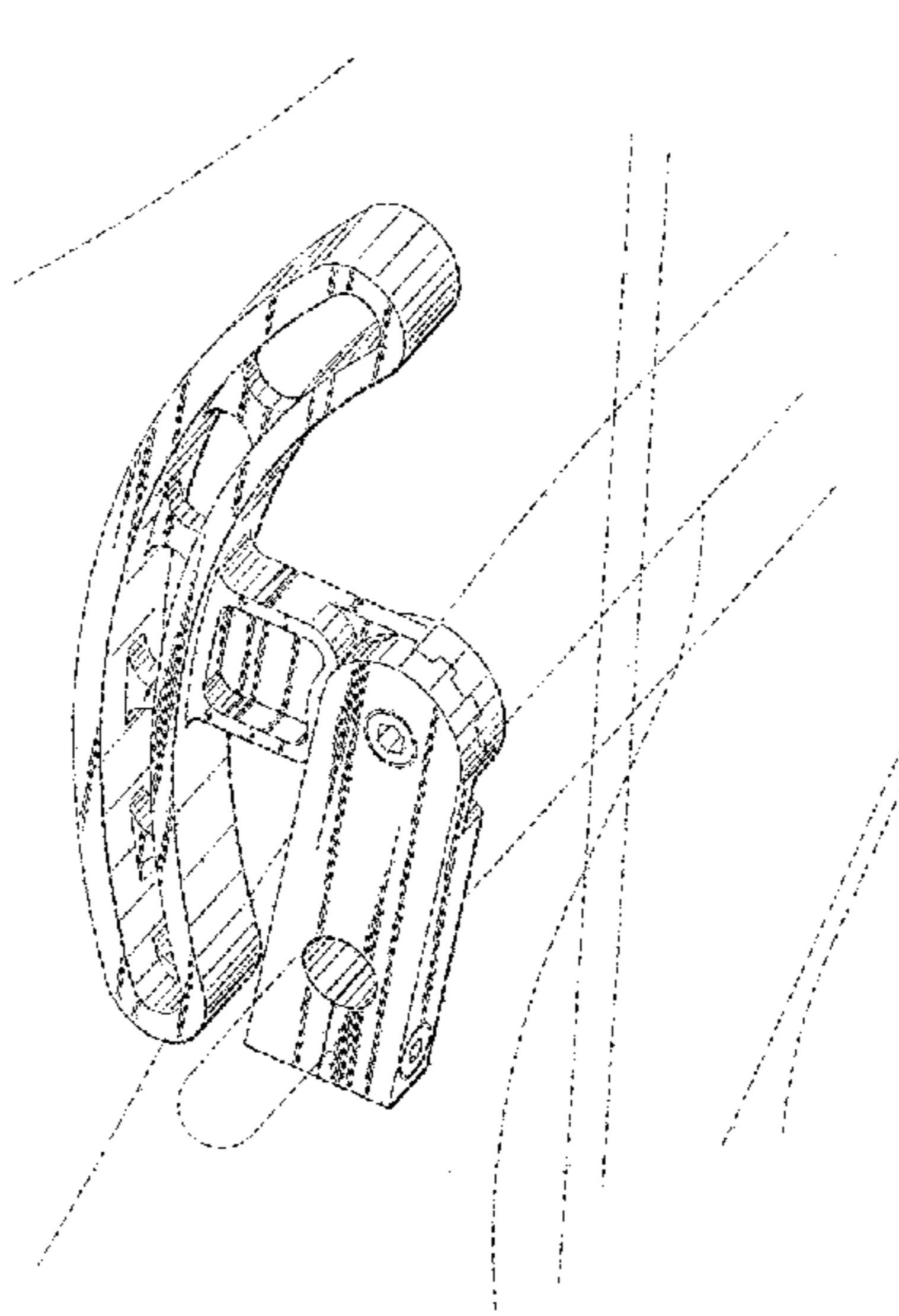
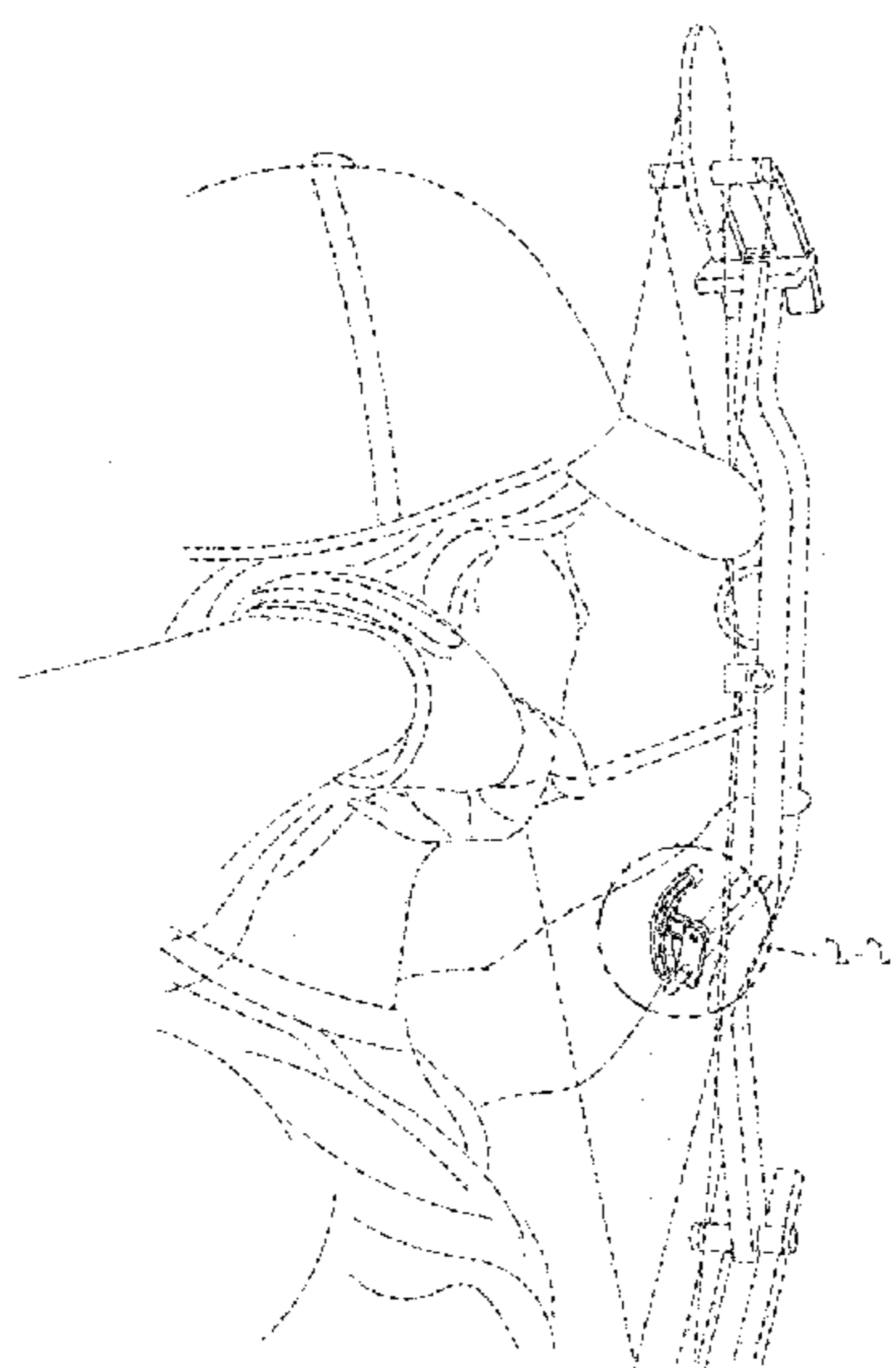
FIG. 7 is a top plan view thereof; and,

FIG. 8 is a bottom plan view thereof.

The broken lines in FIGS. 1 and 2 represent environmental subject matter that forms no part of the claimed design. The dash-dot-dot-dash broken lines in FIG. 1 indicate cutoff boundaries for enlarged portion views and form no part of the claimed design. The broken lines in FIG. 4 depict portions of the archery arm guard that form no part of the claimed design.

(Continued)

1 Claim, 7 Drawing Sheets



(56)

References Cited

U.S. PATENT DOCUMENTS

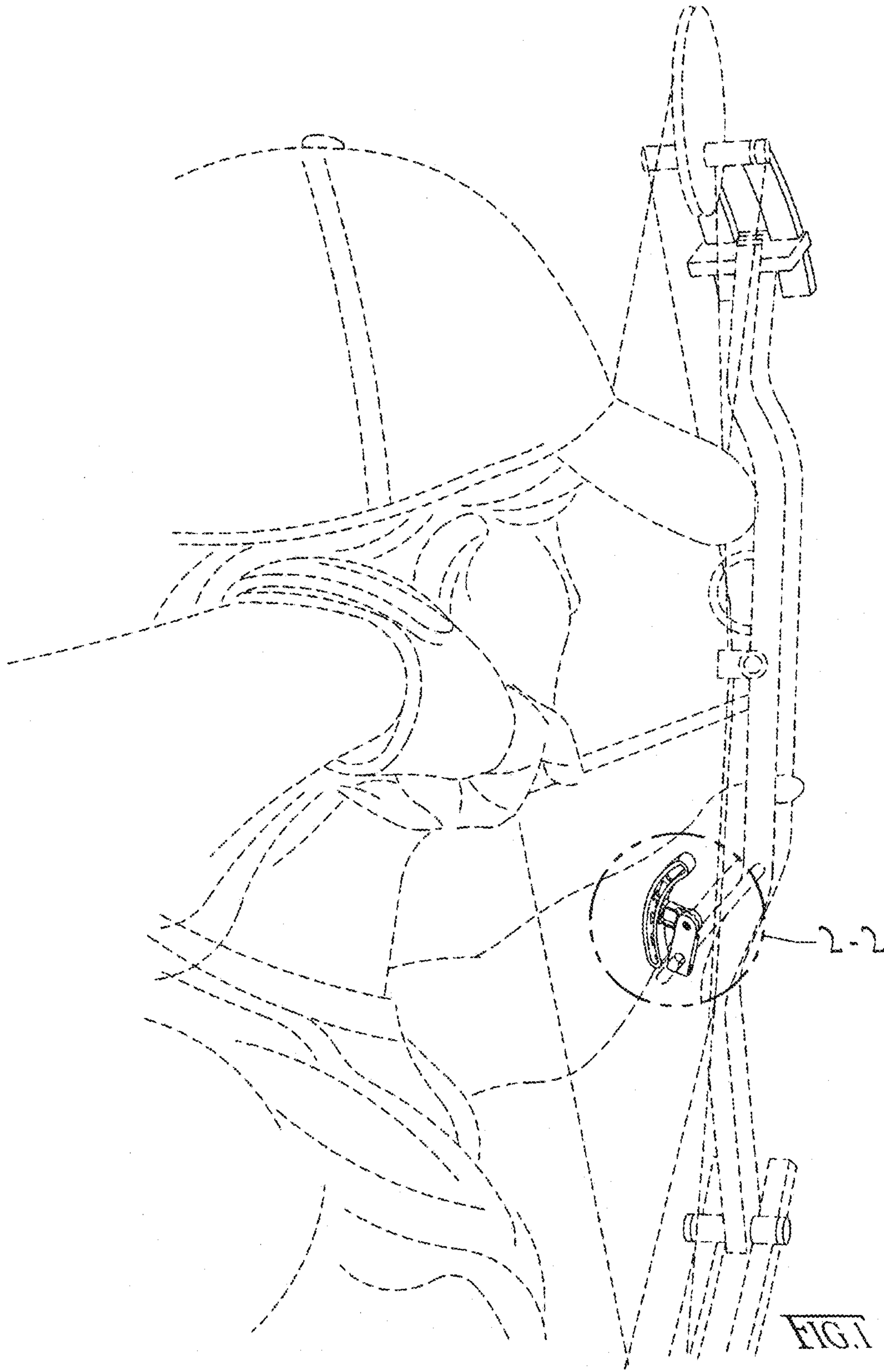
6,425,385 B1 * 7/2002 Gallops, Jr. F41B 5/10
124/25.6
6,655,371 B2 * 12/2003 Gallops, Jr. F41B 5/10
124/25.6
6,904,900 B2 * 6/2005 Gallops, Jr. F41B 5/10
124/25.6
D668,729 S * 10/2012 Greenhoe D22/107
8,360,044 B2 * 1/2013 Platt A63B 21/4001
124/88
8,776,722 B2 7/2014 Albanese 124/88
8,776,772 B1 * 7/2014 Albanese F41B 5/1426
124/88
9,372,046 B2 * 6/2016 Albanese F41B 5/14
9,393,479 B1 * 7/2016 Park A63B 71/14
9,677,842 B2 * 6/2017 Carlston A63B 71/14
10,907,926 B1 * 2/2021 Alba F41B 5/148
2010/0236536 A1 * 9/2010 Erickson F41G 1/467
124/88
2011/0120440 A1 5/2011 Stokes 124/89
2012/0174904 A1 * 7/2012 Greenhoe F41B 5/1426
124/89

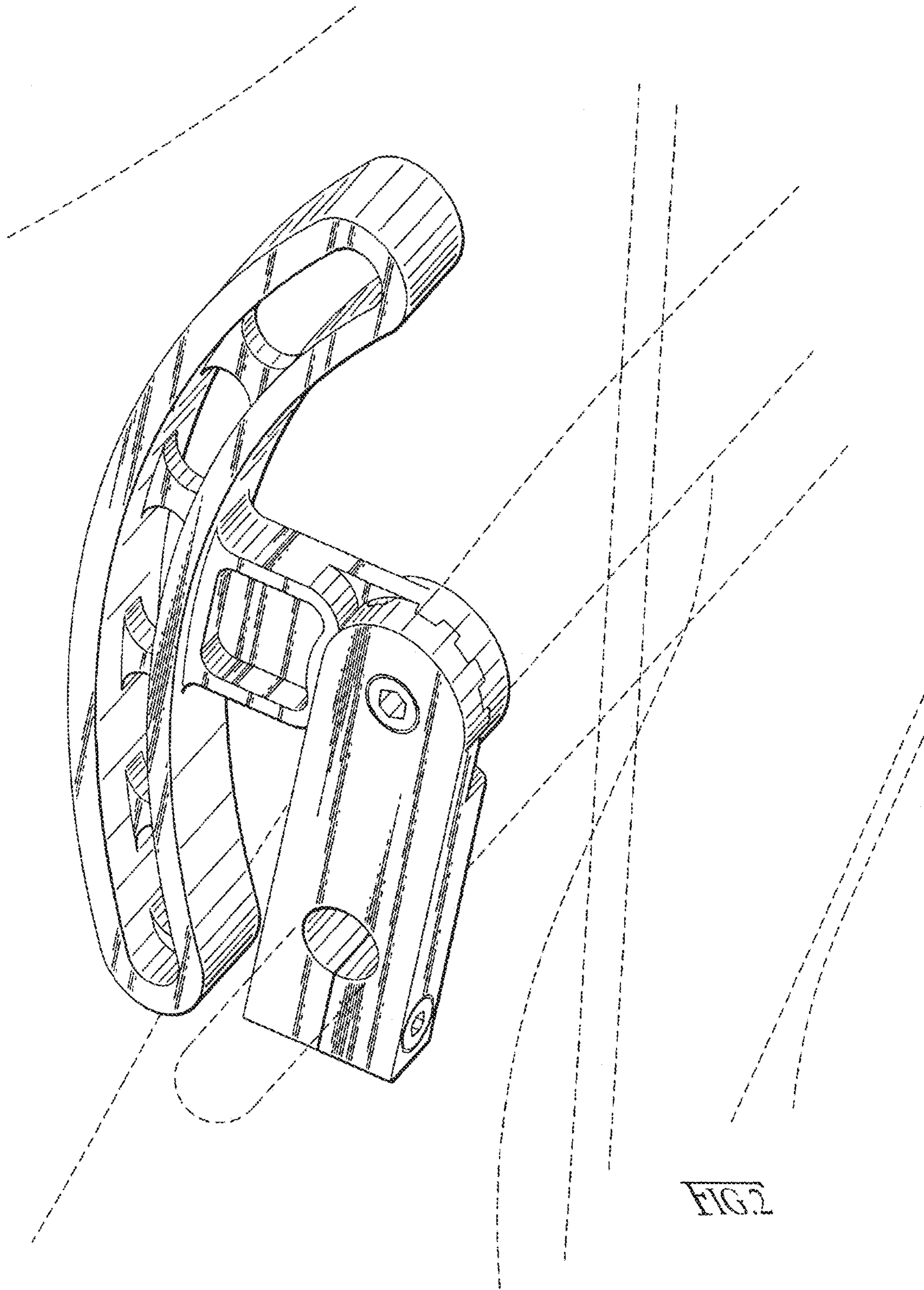
2013/0042849 A1 * 2/2013 Gibson A63B 71/12
124/25.6
2013/0263839 A1 * 10/2013 Dominski F41B 5/1426
124/23.1
2015/0013658 A1 1/2015 Gibson 124/88
2017/0284763 A1 * 10/2017 Gouramanis F41B 5/1449
2020/0363156 A1 * 11/2020 Otten F41B 5/066
2021/0055073 A1 * 2/2021 Puffe F41B 5/1426
2021/0207927 A1 * 7/2021 Yasui F41B 5/148

OTHER PUBLICATIONS

Crossroad Attachment. First Avail: Jan. 19, 2018 [visited: Oct. 7, 2021] Amazon URL: <https://www.amazon.com/Crossroad-Archery-Offset-Sidebar-Attachment-One/dp/B072KSY74W> (Year: 2018).*
Kratarc Archery Arm Guard. First Avail: Oct. 31, 2018 [visited: Oct. 7, 2021] Amazon URL: https://www.amazon.com/KRATARC-Adjustable-Protective-Accessory-Lightweight/dp/B07K27PFMD/ref=sr_1_4?dchild=1&keywords=archery+arm&qid=1633626764&s=sporting-goods&sr=1-4 (Year: 2018).*

* cited by examiner





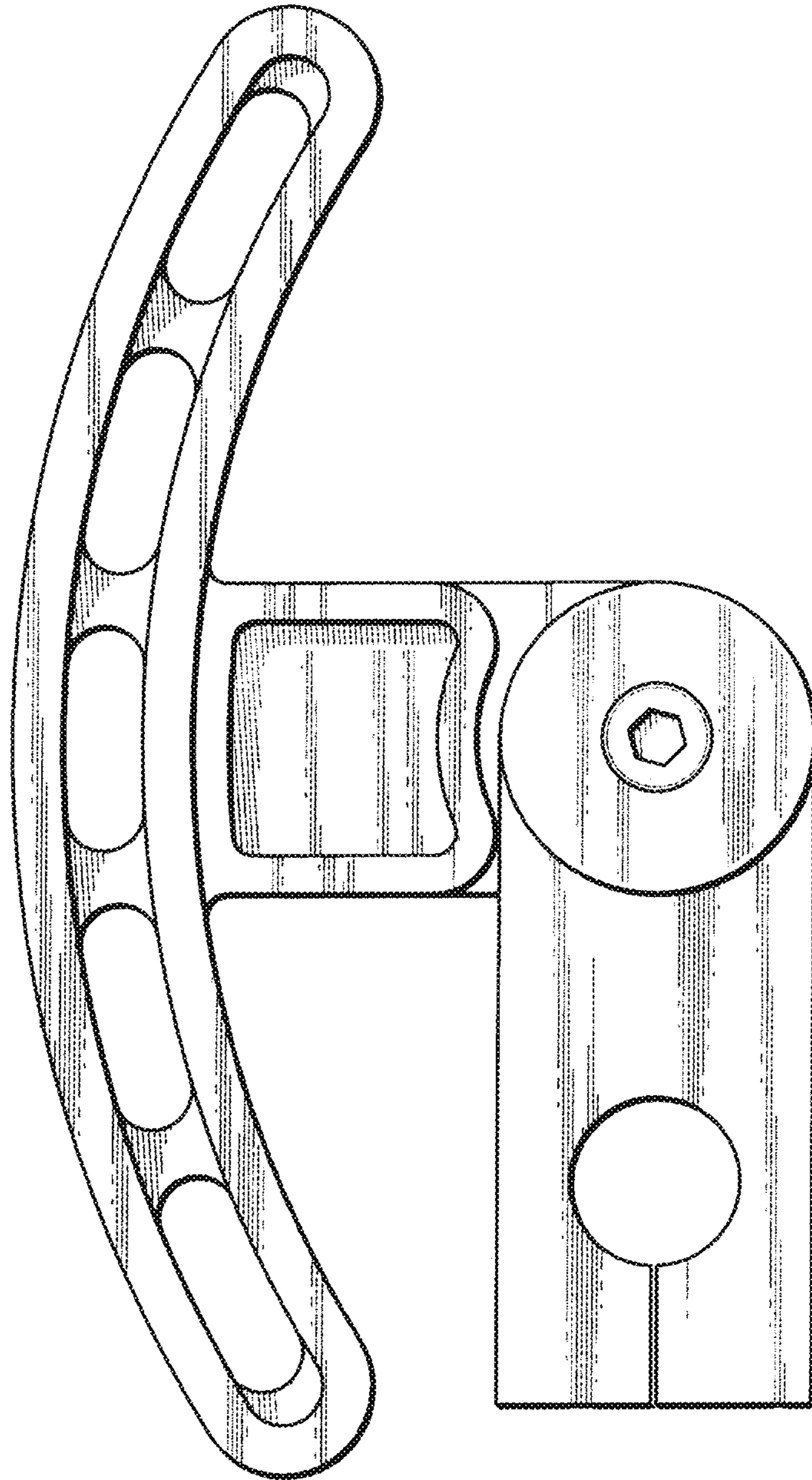


FIG. 3

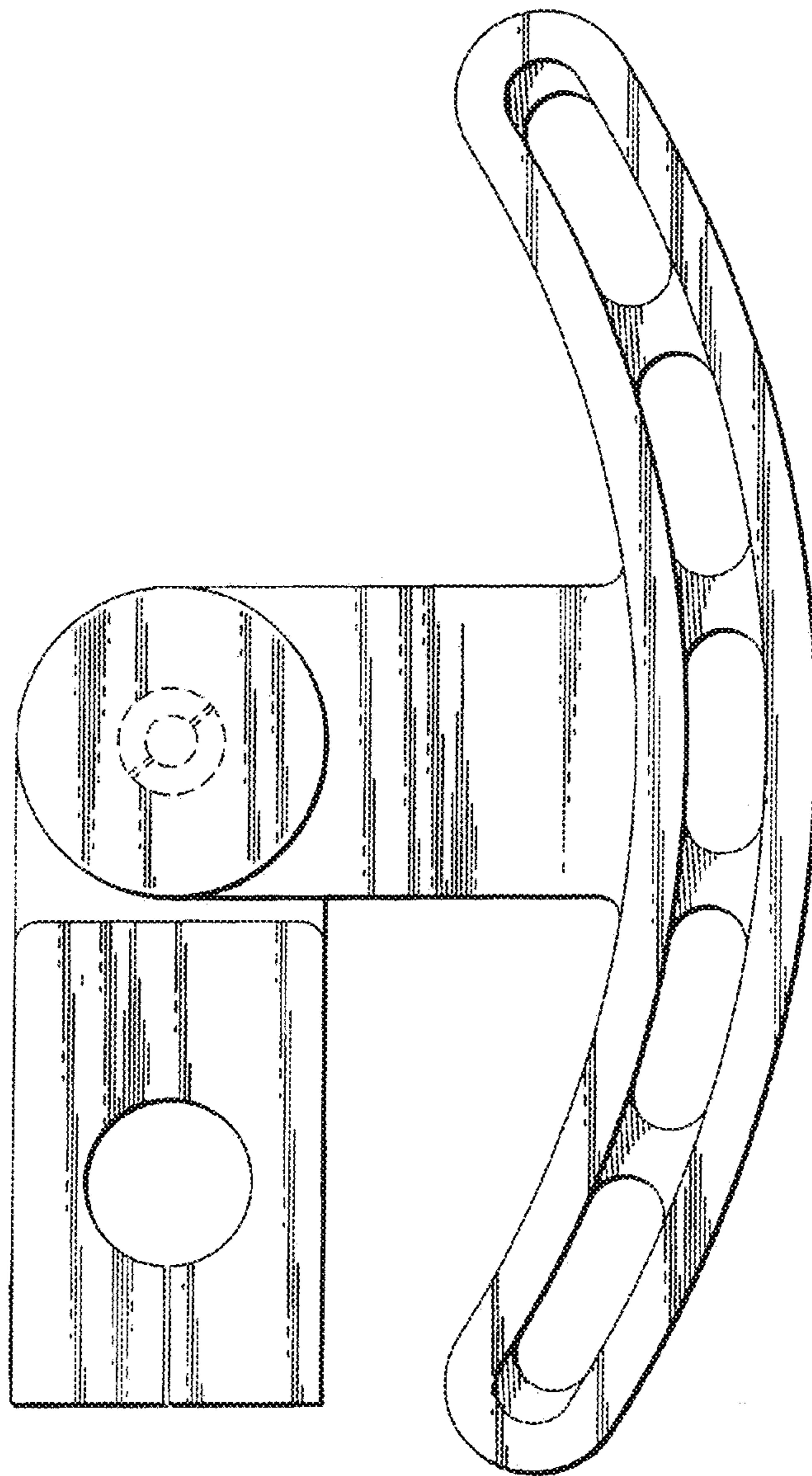


FIG. 4

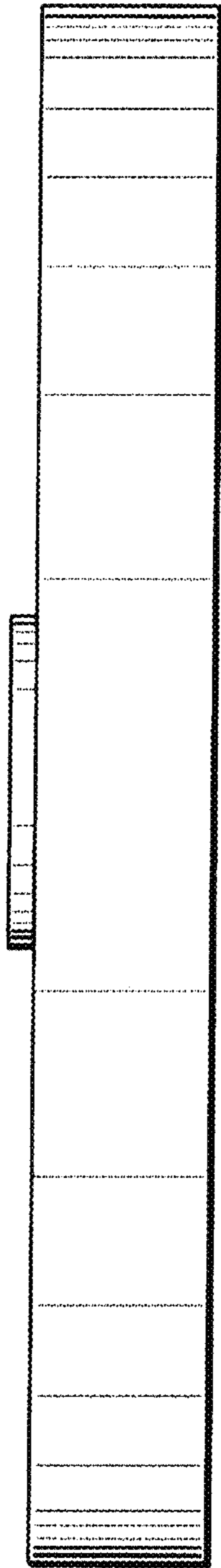


FIG. 5

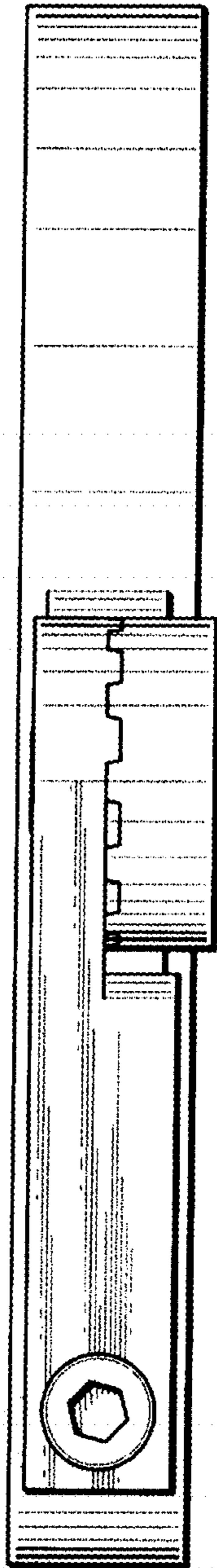


FIG. 6

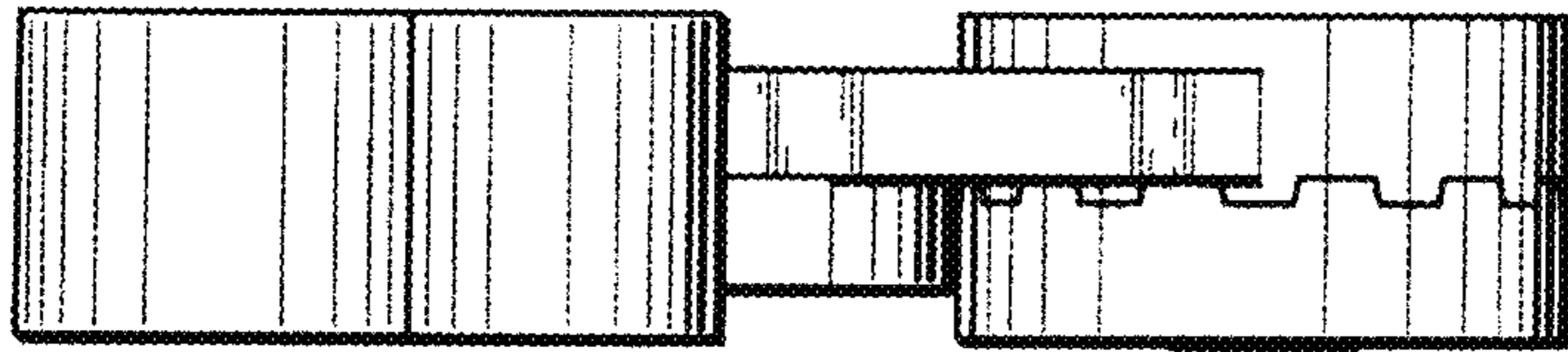


FIG. 7

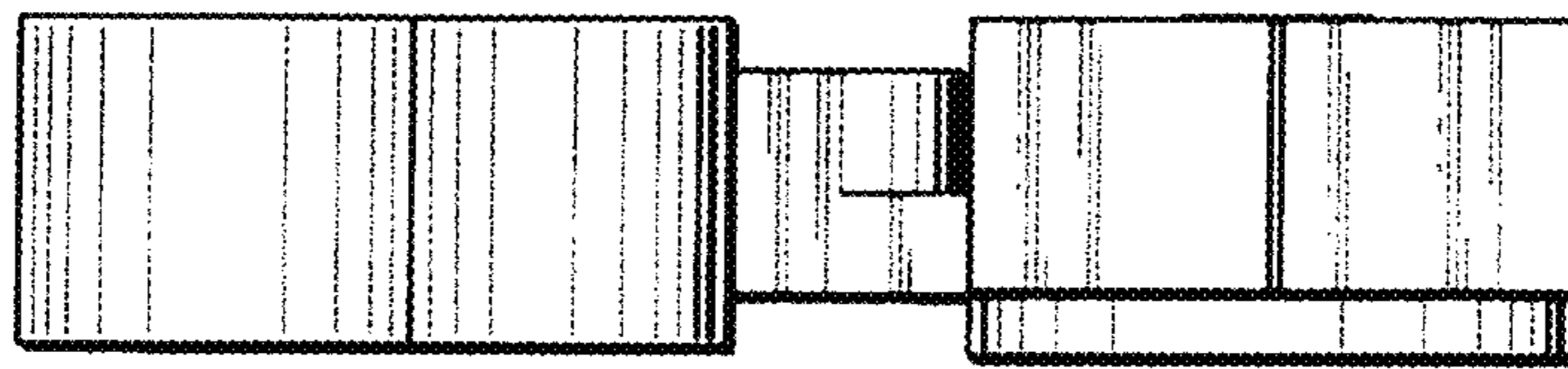


FIG. 8