



US00D946685S

(12) **United States Design Patent** (10) **Patent No.:** **US D946,685 S**
Goserud (45) **Date of Patent:** **** Mar. 22, 2022**

(54) **COMPARTMENTED SPHERICAL HOLDER FOR GOLF TEES**

(71) Applicant: **J. Thomas Goserud**, Landisville, PA (US)

(72) Inventor: **J. Thomas Goserud**, Landisville, PA (US)

(**) Term: **15 Years**

(21) Appl. No.: **29/729,925**

(22) Filed: **Mar. 31, 2020**

(51) **LOC (13) Cl.** **21-02**

(52) **U.S. Cl.**
USPC **D21/791**

(58) **Field of Classification Search**
USPC D21/789, 796, 717, 718; D3/201, 221, D3/254, 259
CPC A63B 57/20; A63B 57/203; A63B 47/00; A63B 47/001; A63B 57/00; A63B 57/10; A63B 57/12; A63B 57/13; A63B 57/16; A63B 57/18; A63B 57/19
See application file for complete search history.

(56) **References Cited**

U.S. PATENT DOCUMENTS

1,375,853	A *	4/1921	Lyman	G09B 27/08
					434/137
2,112,339	A *	3/1938	Kasperek	A63B 57/203
					224/249
D183,351	S *	8/1958	Keljik	D11/125
2,925,678	A *	2/1960	Burnbaum	A47F 5/00
					428/8
2,960,263	A *	11/1960	Goddard	A63B 55/408
					211/60.1
3,252,615	A *	5/1966	Hill	A63B 57/203
					221/82
3,360,170	A *	12/1967	Scannell	A63B 57/203
					224/274

D209,836	S *	1/1968	Tatlock	D11/127
3,612,261	A *	10/1971	Cicero	A63B 57/0032
					206/315.1
D236,272	S *	8/1975	Aquilante	D11/117
D249,580	S *	9/1978	Hill	D11/121
4,993,613	A *	2/1991	Frisbie	A63B 57/203
					224/251
5,056,697	A *	10/1991	Sheffield	A63B 55/408
					224/679
5,158,179	A *	10/1992	Gosselin	A63B 57/0032
					206/315.1

(Continued)

Primary Examiner — Mitchell I. Siegel

(74) *Attorney, Agent, or Firm* — Dunlap Bennett & Ludwig, PLLC; Brendan E. Squire

(57) **CLAIM**

The ornamental design for a compartmented spherical holder for golf tees, as shown and described.

DESCRIPTION

FIG. 1 is a top front perspective view of a first embodiment of a compartmented spherical holder for golf tees showing my new design with the retaining strap and connecting hook omitted for clarity;

FIG. 2 is a right side elevation view thereof, the left side being a mirror image thereof;

FIG. 3 is a front elevation view thereof;

FIG. 4 is a top plan view thereof;

FIG. 5 is a bottom plan view thereof;

FIG. 6 is a section view thereof, taken along line 6-6 of FIG. 3;

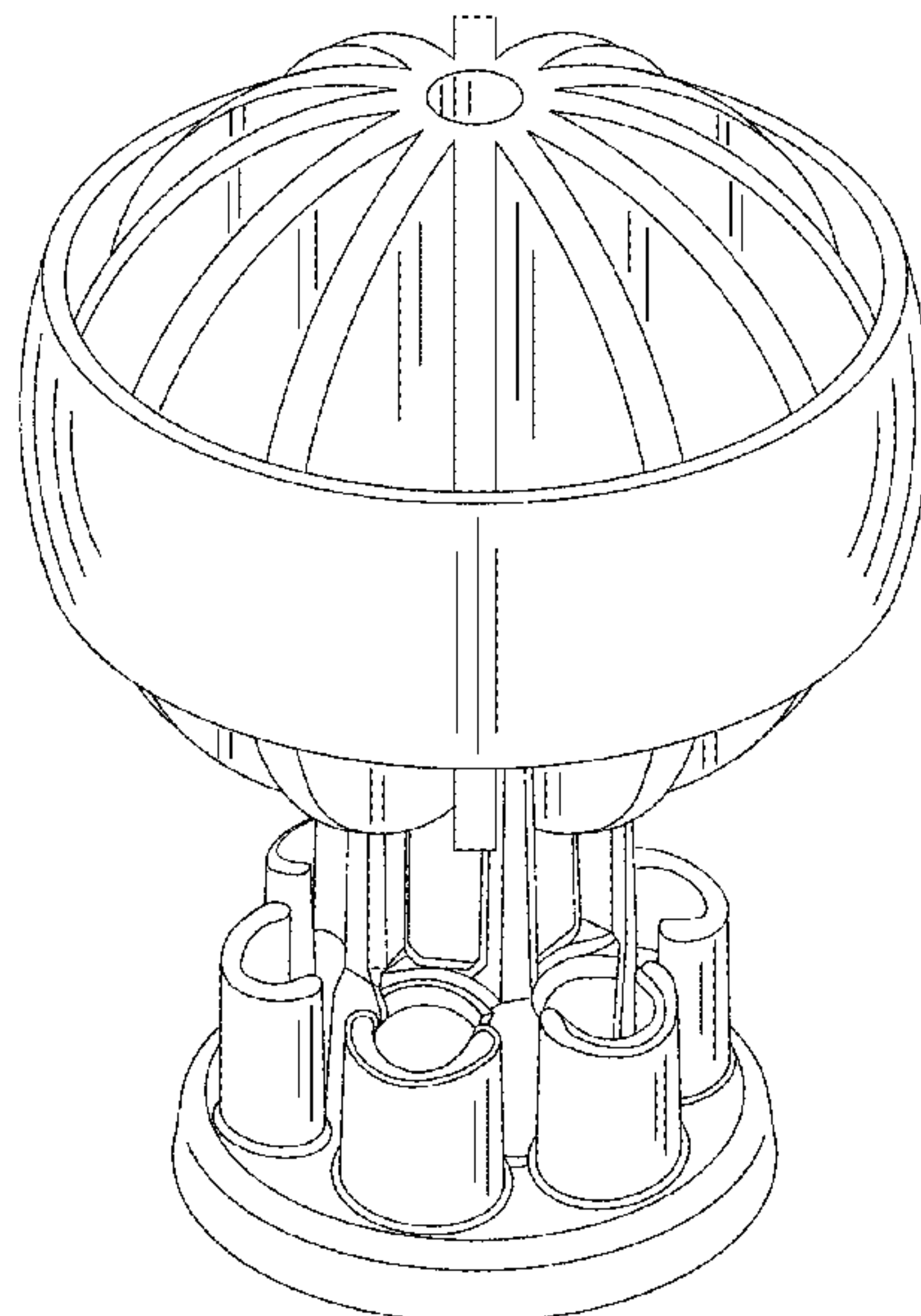
FIG. 7 is a section view thereof, taken along line 7-7 of FIG. 2;

FIG. 8 is an exploded side elevation view thereof; and,

FIG. 9 is a side elevation view thereof in use holding a plurality of golf tees.

The broken lines shown on the drawing views form no part of the claimed design.

1 Claim, 5 Drawing Sheets



(56)

References Cited

U.S. PATENT DOCUMENTS

5,172,839 A * 12/1992 Frisbie A63B 55/408
 224/251
 D387,837 S * 12/1997 Luchynsky D3/259
 D412,958 S * 8/1999 Sisson D21/796
 D462,032 S * 8/2002 Schmauz-Grimsel D11/121
 D466,041 S * 11/2002 Goserud D11/79
 D476,053 S * 6/2003 Goserud D21/789
 6,988,646 B2 * 1/2006 White A63B 57/203
 224/576
 D543,695 S * 6/2007 Sands D3/221
 D563,263 S * 3/2008 Chen D11/117
 D567,320 S * 4/2008 Pelosi D21/796
 D653,720 S * 2/2012 Piatkowski D21/793
 D656,663 S * 3/2012 Son D26/118
 D656,664 S * 3/2012 Son D26/118
 D666,411 S * 9/2012 Goserud D3/221
 D674,454 S * 1/2013 Åsberg D21/796
 D716,395 S * 10/2014 Ross D21/796
 D741,973 S * 10/2015 Wark D21/796
 9,192,835 B1 * 11/2015 Goserud A63B 57/0031
 D776,561 S * 1/2017 Richardson D11/117
 D882,012 S * 4/2020 Goserud D21/796
 2004/0262344 A1 * 12/2004 White A63B 57/203
 224/269
 2011/0215013 A1 * 9/2011 Young A63B 55/20
 206/315.2

* cited by examiner

FIG. 1

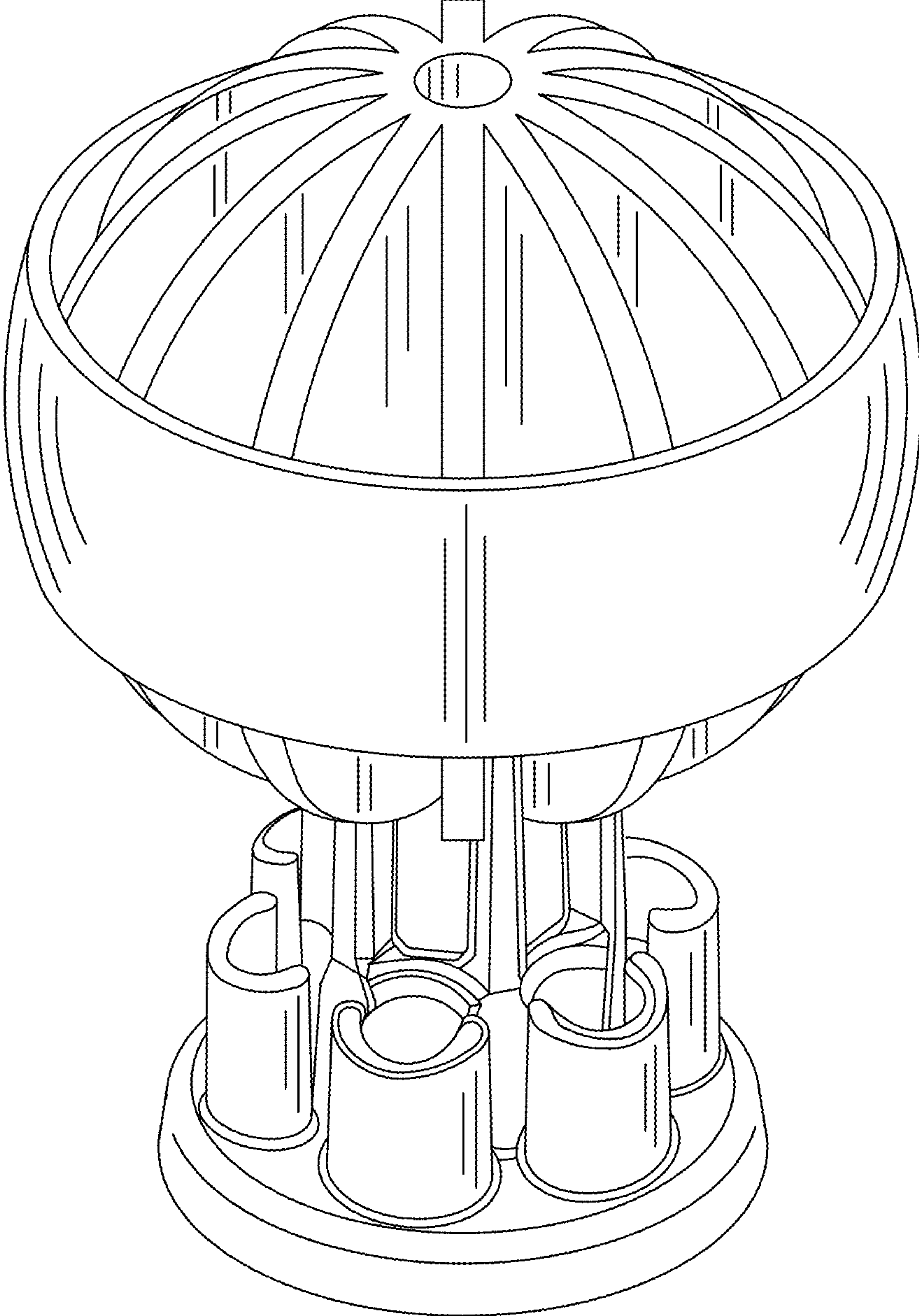


FIG. 2

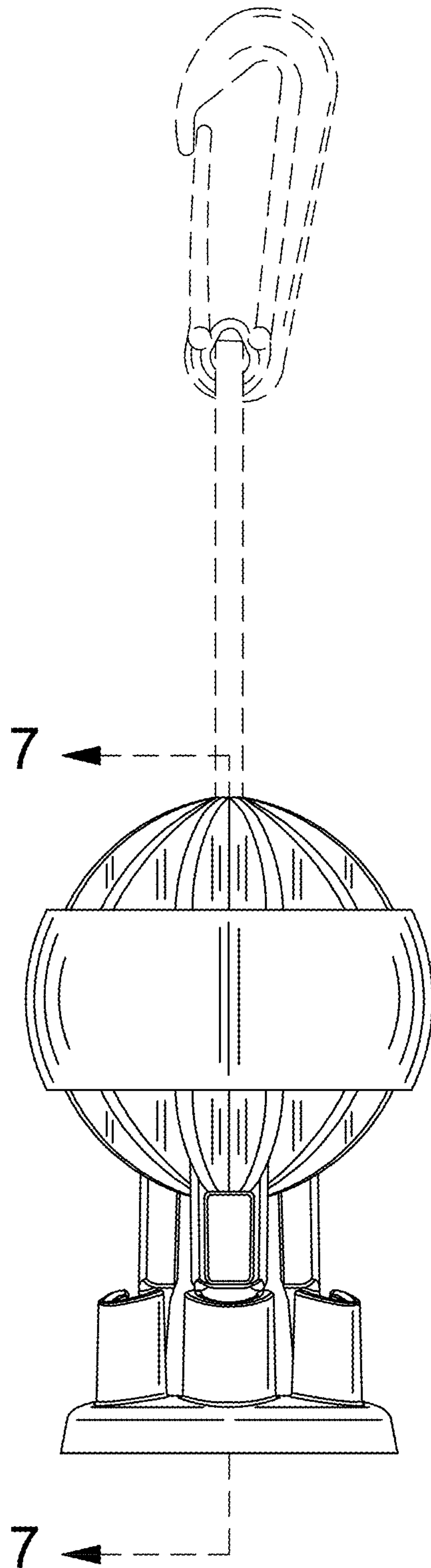


FIG. 3

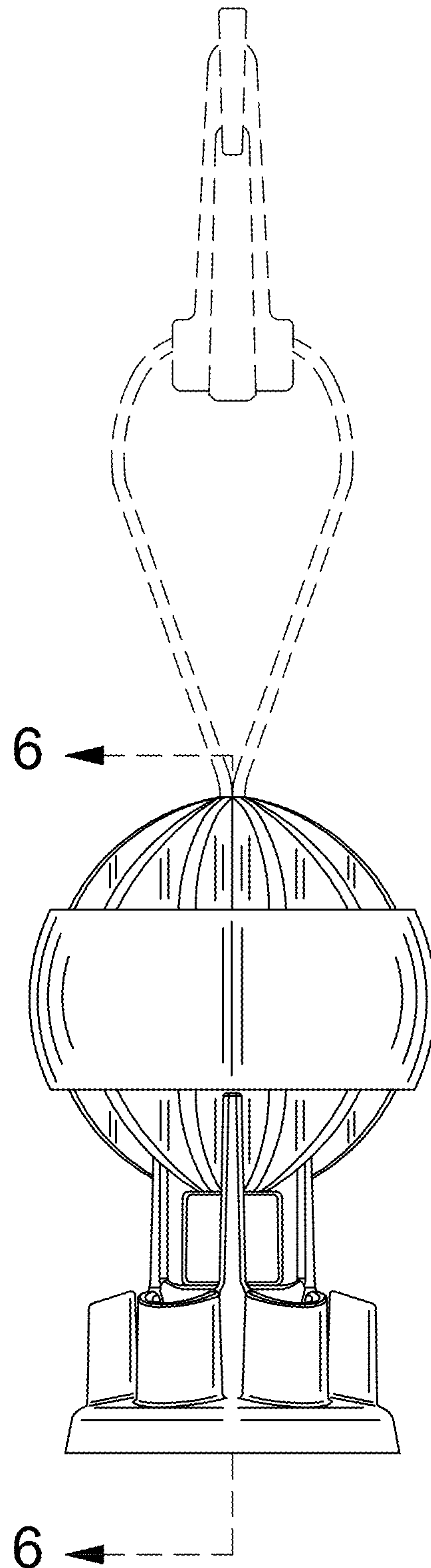


FIG. 4

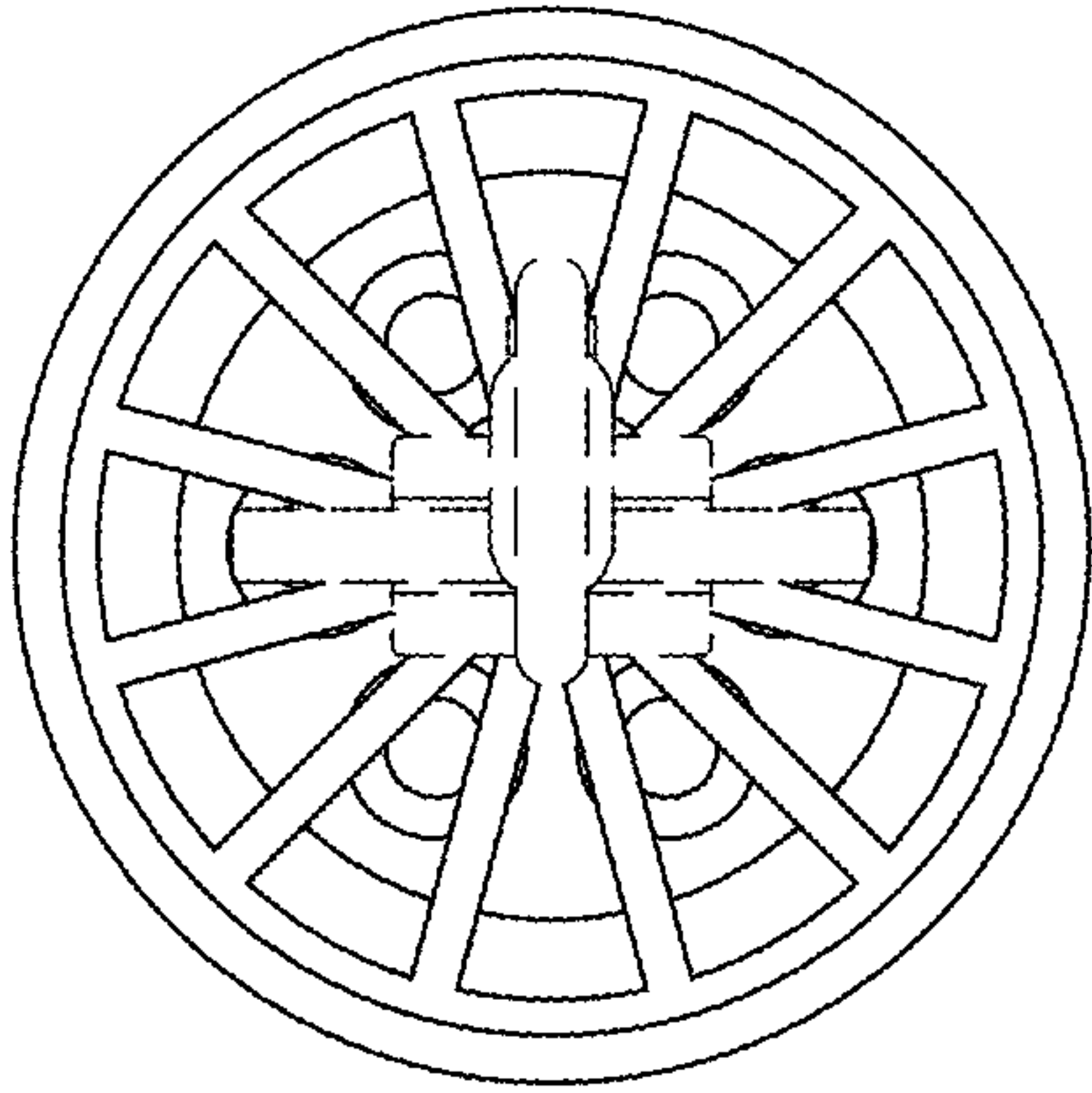


FIG. 5

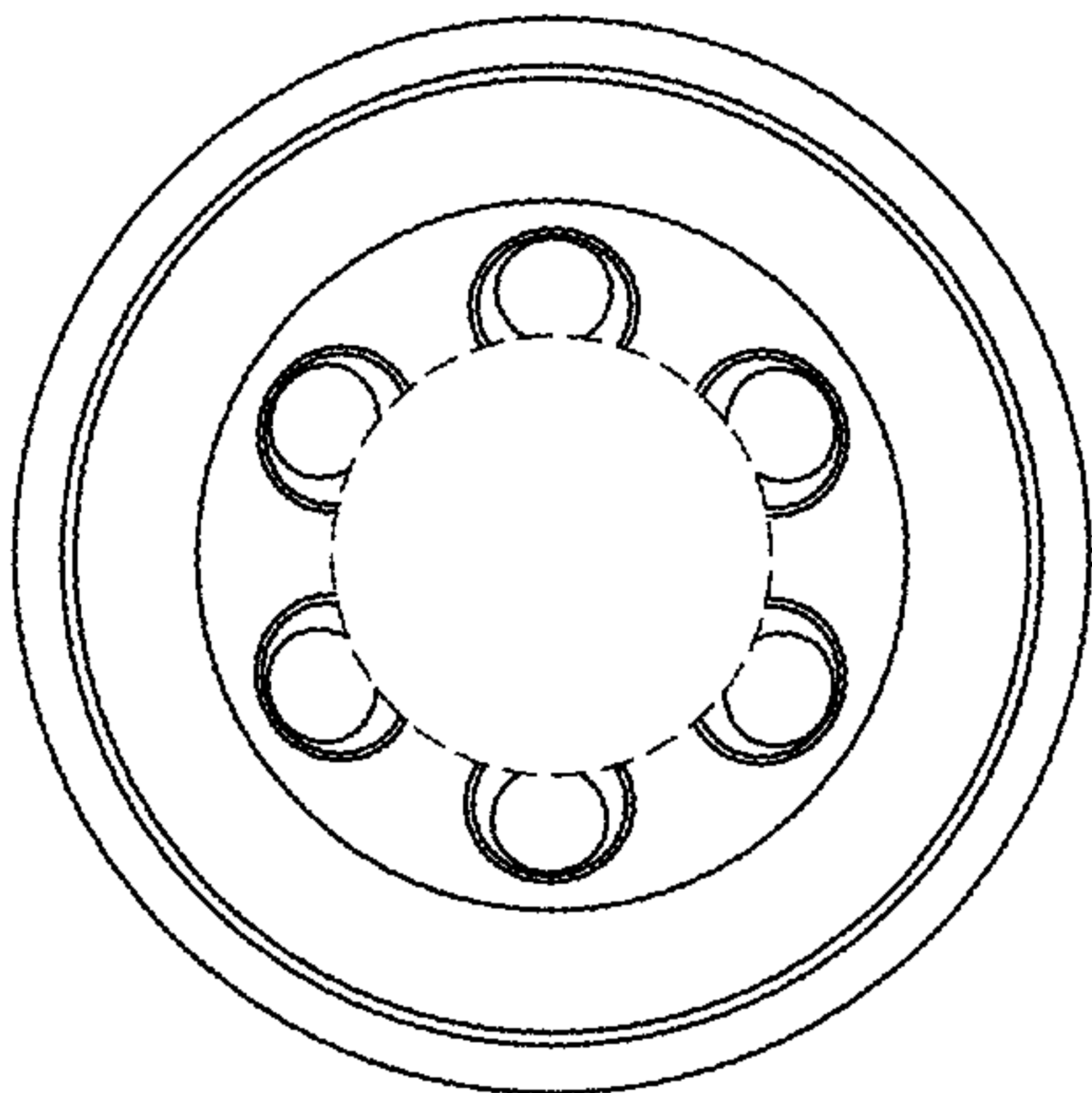


FIG. 6

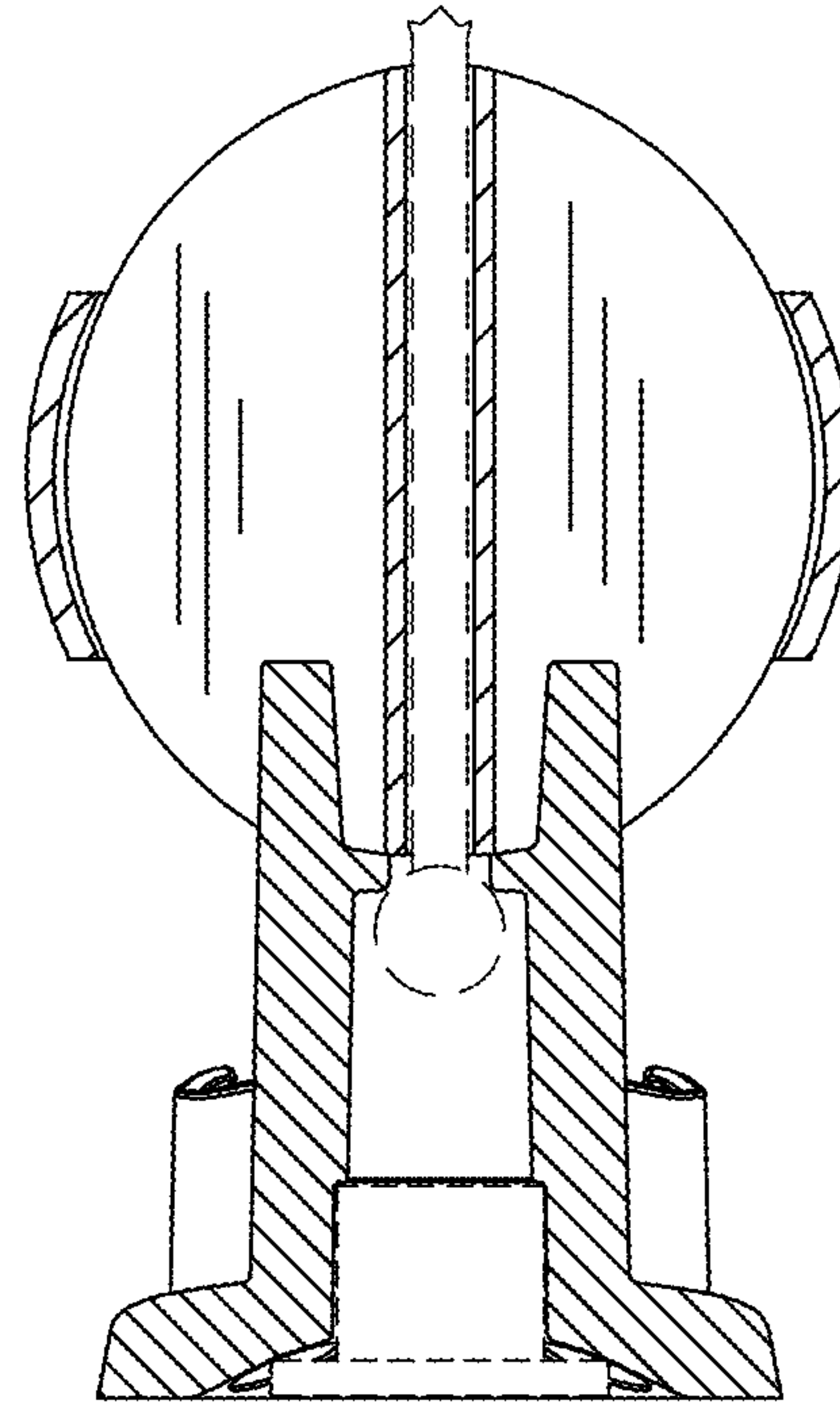


FIG. 7

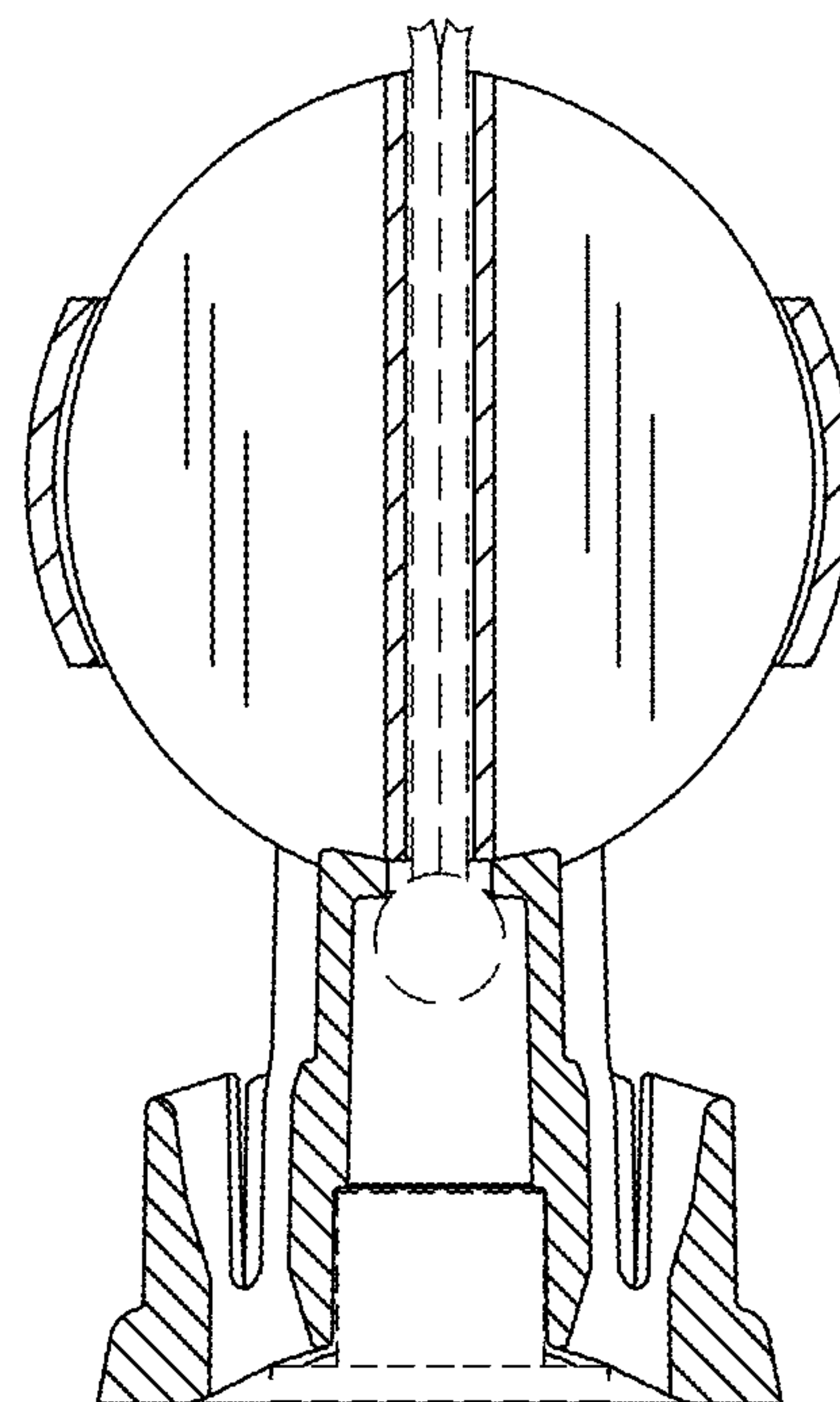


FIG. 8

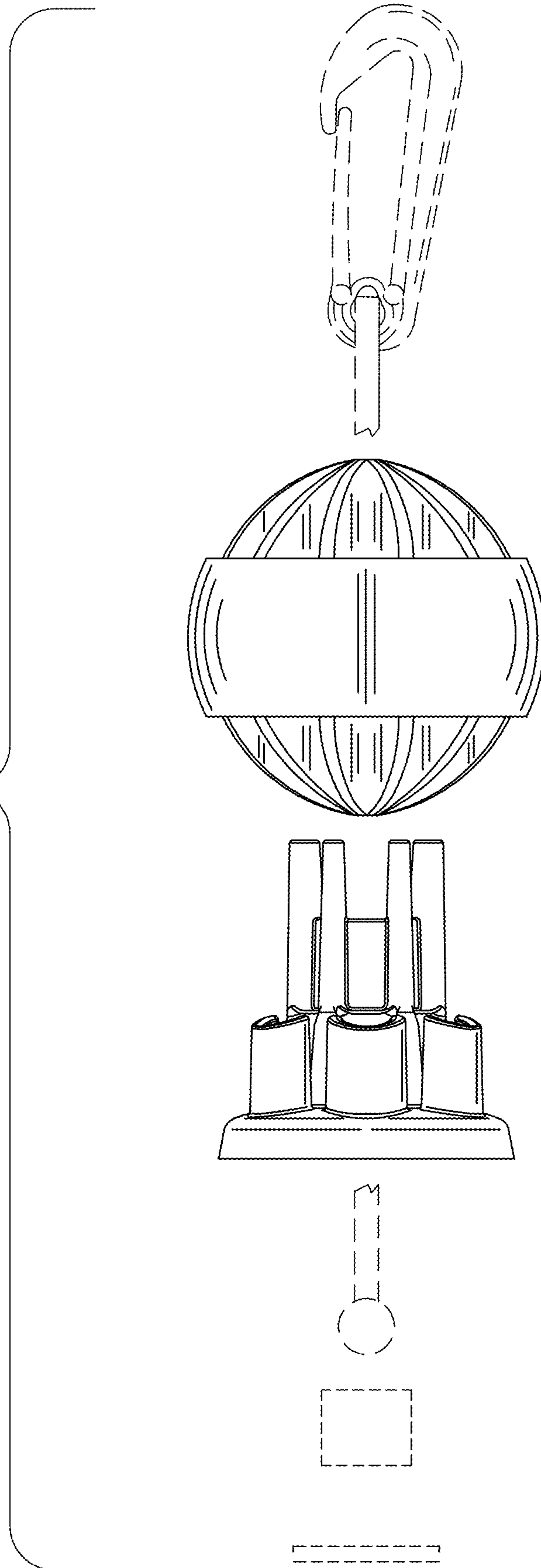


FIG. 9

