

US00D946681S

(12) **United States Design Patent**
Vu

(10) **Patent No.:** **US D946,681 S**

(45) **Date of Patent:** **** Mar. 22, 2022**

(54) **GOLF CLUB HEAD**

(71) Applicant: **Callaway Golf Company**, Carlsbad, CA (US)

(72) Inventor: **Thomas Vu**, Westminster, CA (US)

(73) Assignee: **Callaway Golf Company**, Carlsbad, CA (US)

(**) Term: **15 Years**

(21) Appl. No.: **29/747,215**

(22) Filed: **Aug. 20, 2020**

(51) **LOC (13) Cl.** **21-02**

(52) **U.S. Cl.**
USPC **D21/759**

(58) **Field of Classification Search**
USPC D21/747-751, 759
CPC A63B 53/00; A63B 53/02; A63B 53/04;
A63B 53/047; A63B 53/0475; A63B
2053/0479; A63B 2053/0483; A63B
2053/0445; A63B 60/00; A63B 60/46
See application file for complete search history.

(56) **References Cited**

U.S. PATENT DOCUMENTS

D647,984 S * 11/2011 Atwell D21/747
D648,409 S * 11/2011 Atwell D21/747

D893,647 S * 8/2020 Parsons D21/747
D893,648 S * 8/2020 Parsons D21/747
D894,302 S * 8/2020 Parsons D21/747
D895,040 S * 9/2020 Chun D21/747
D915,535 S * 4/2021 Parsons D21/747
D916,220 S * 4/2021 Parsons D21/747
D936,772 S * 11/2021 Chun D21/747
D938,533 S * 12/2021 Nicolette D21/747

* cited by examiner

Primary Examiner — Mitchell I. Siegel

(74) *Attorney, Agent, or Firm* — Rebecca Hanovice;
Michael Catania; Sonia Lari

(57) **CLAIM**

The ornamental design for a golf club head, as shown and described.

DESCRIPTION

FIG. 1 is a rear perspective view of the golf club head claimed herein;

FIG. 2 is a rear elevational view thereof;

FIG. 3 is a front elevational view thereof;

FIG. 4 is a right side elevational view thereof;

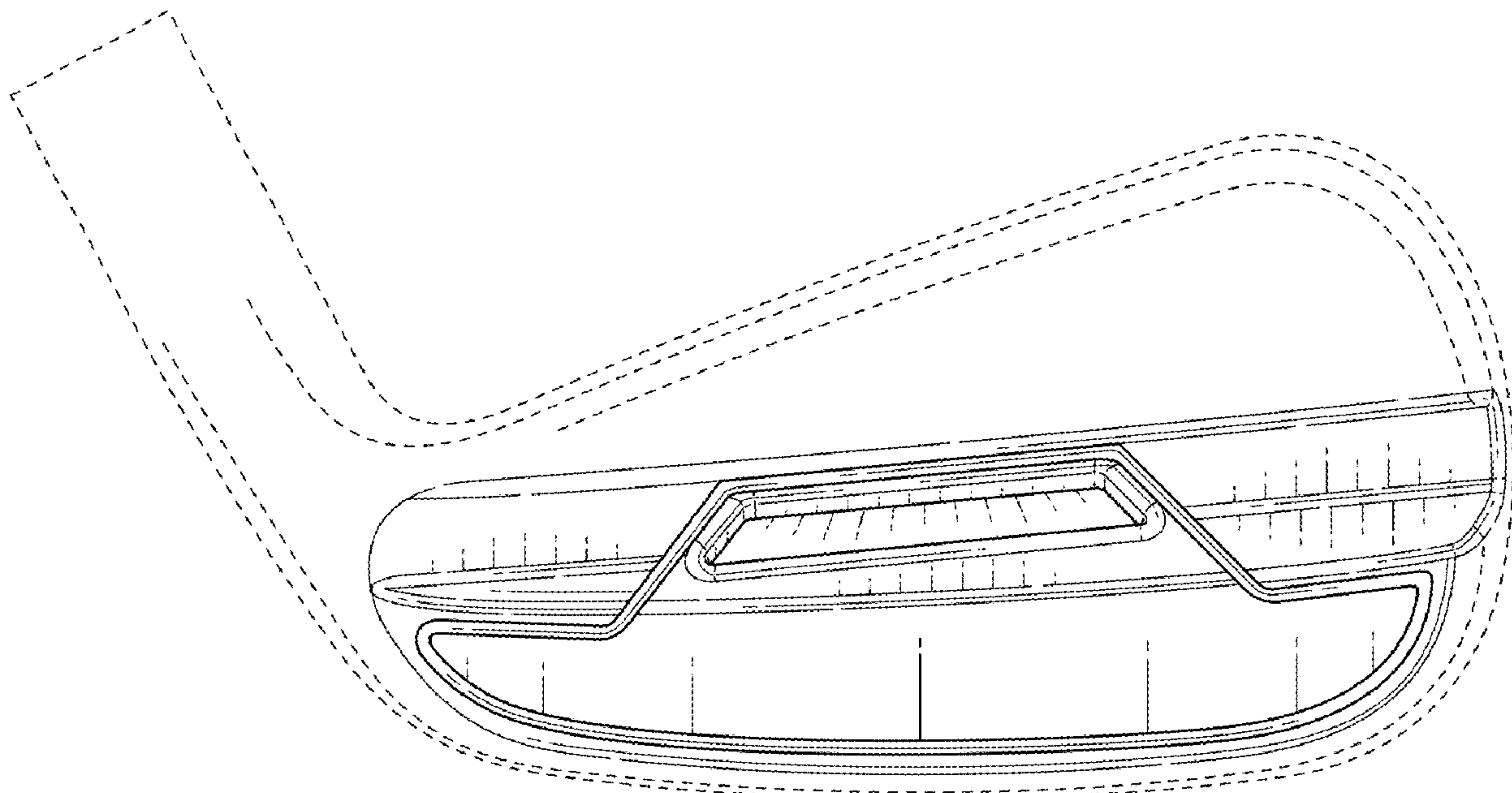
FIG. 5 is a left side elevational view thereof;

FIG. 6 is a top plan view thereof; and,

FIG. 7 is a bottom plan view thereof.

The broken lines in the figures show portions of the golf club head that form no part of the claimed design.

1 Claim, 4 Drawing Sheets



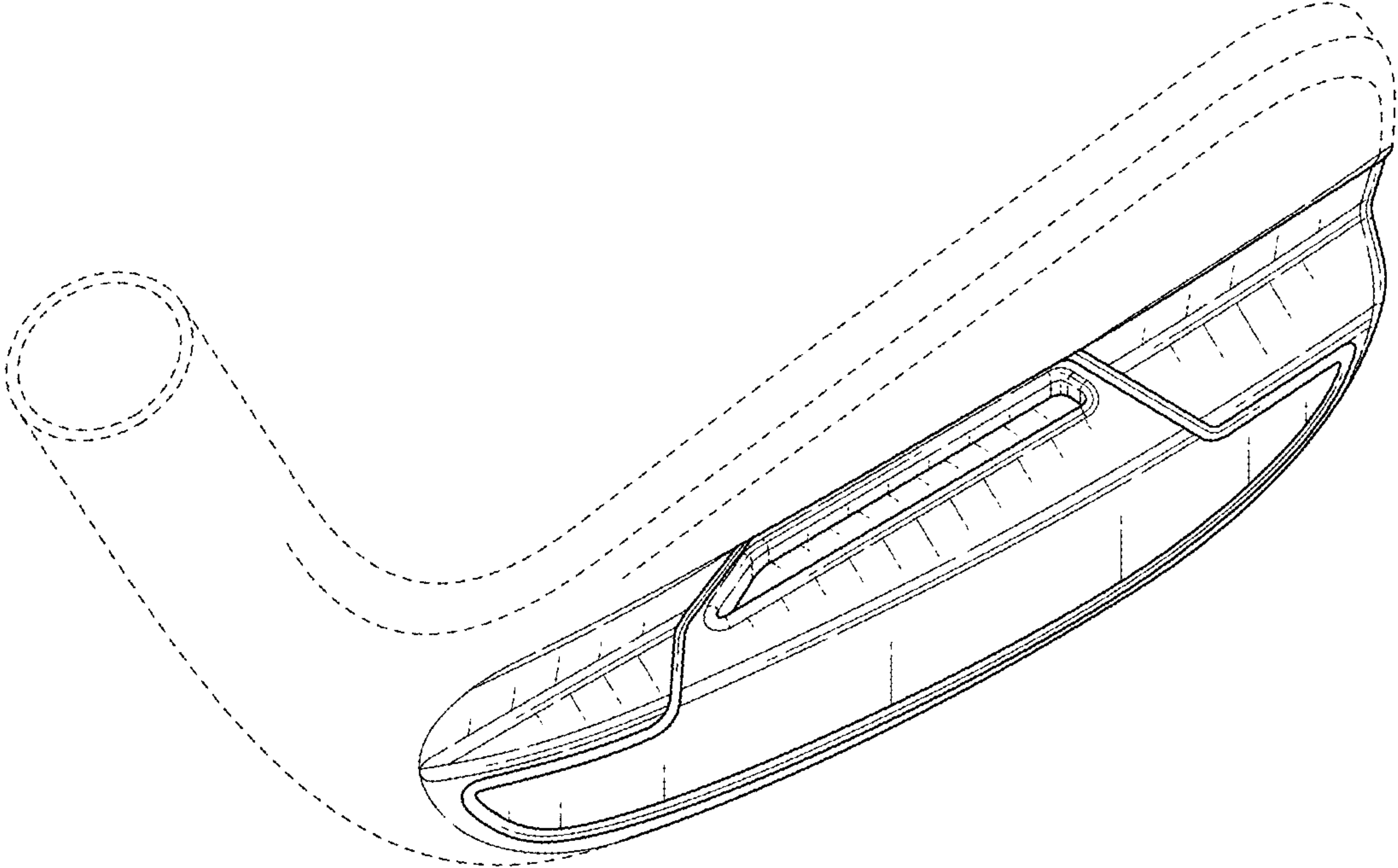


FIG. 1

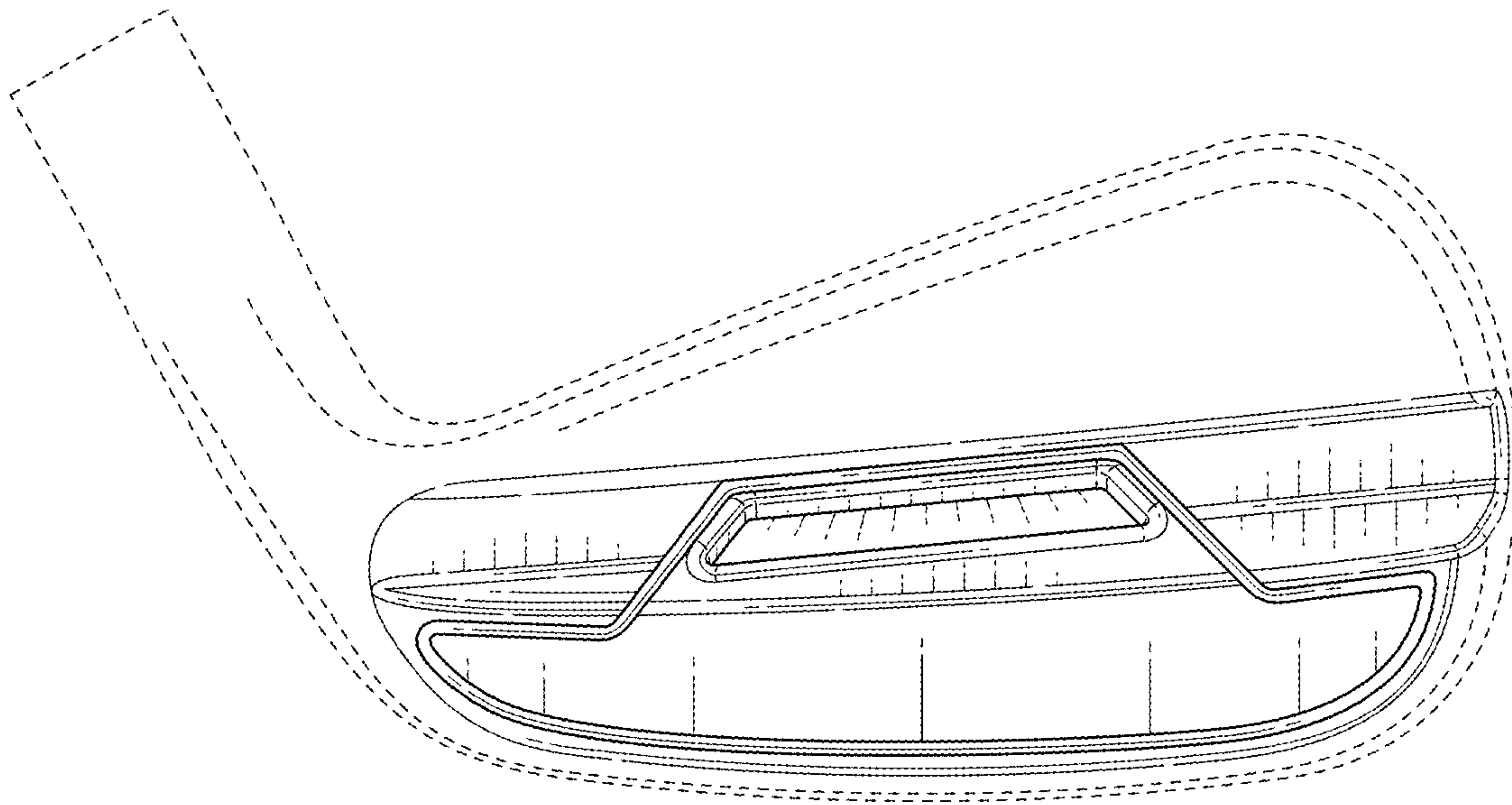


FIG. 2

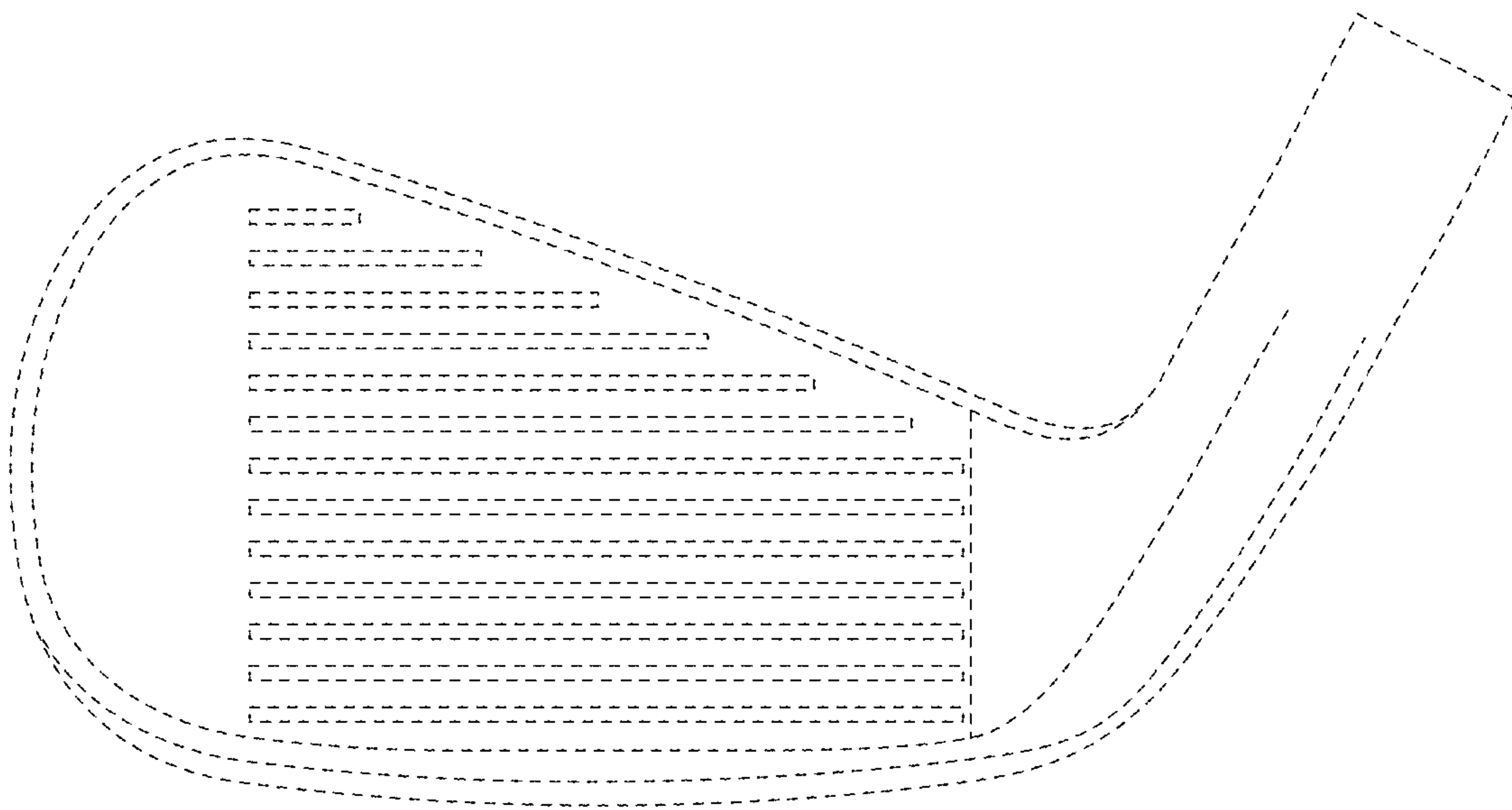


FIG. 3

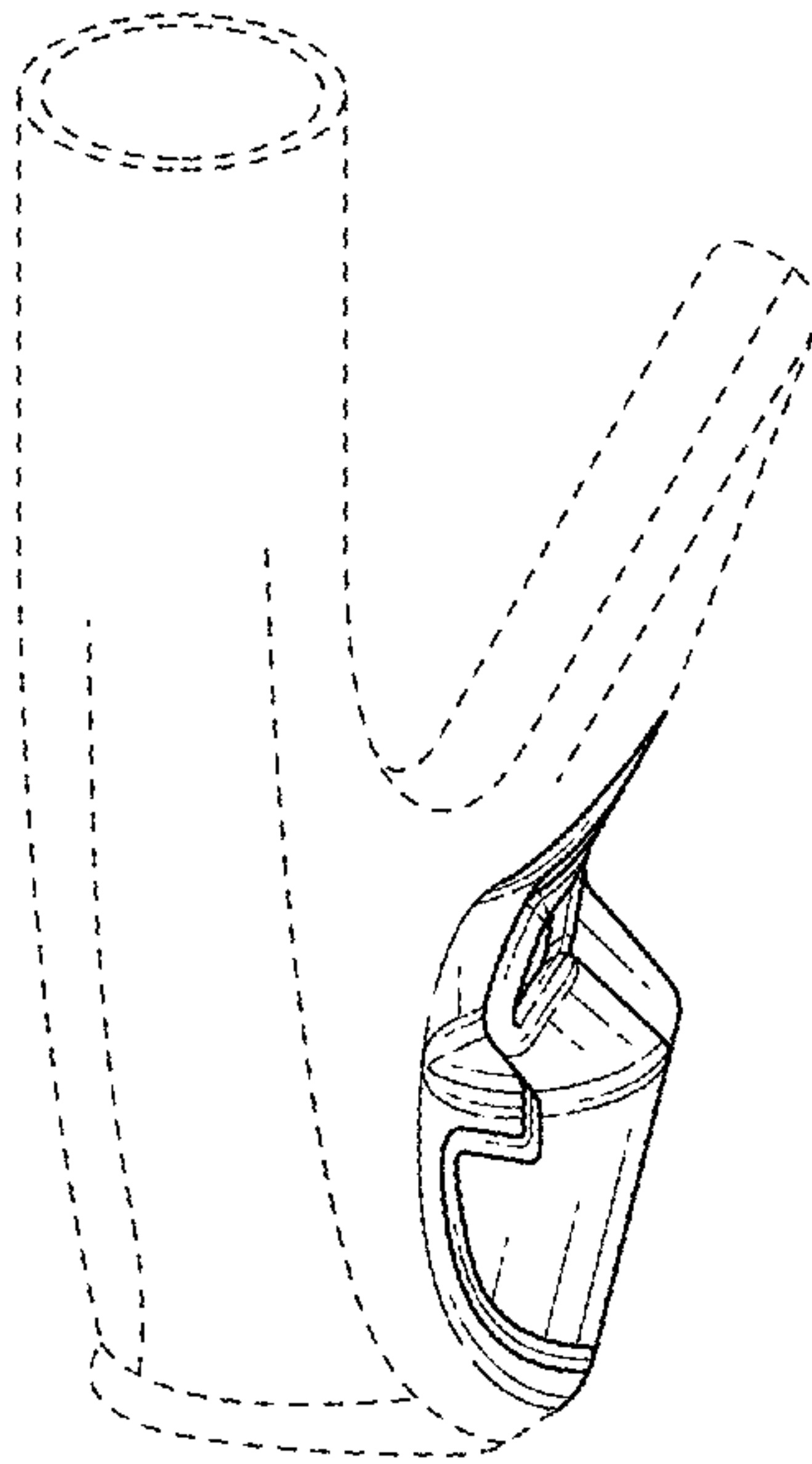


FIG. 4

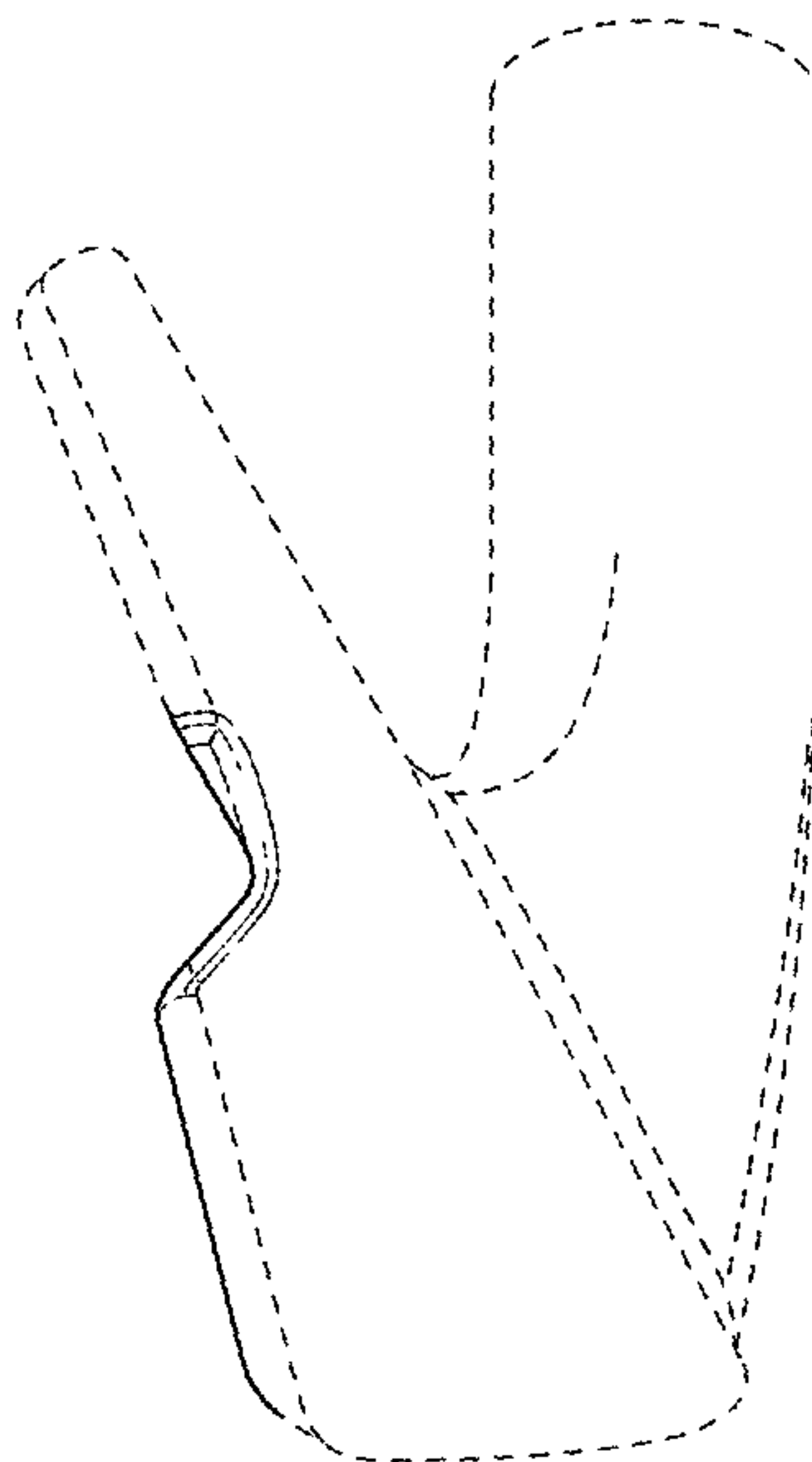


FIG. 5

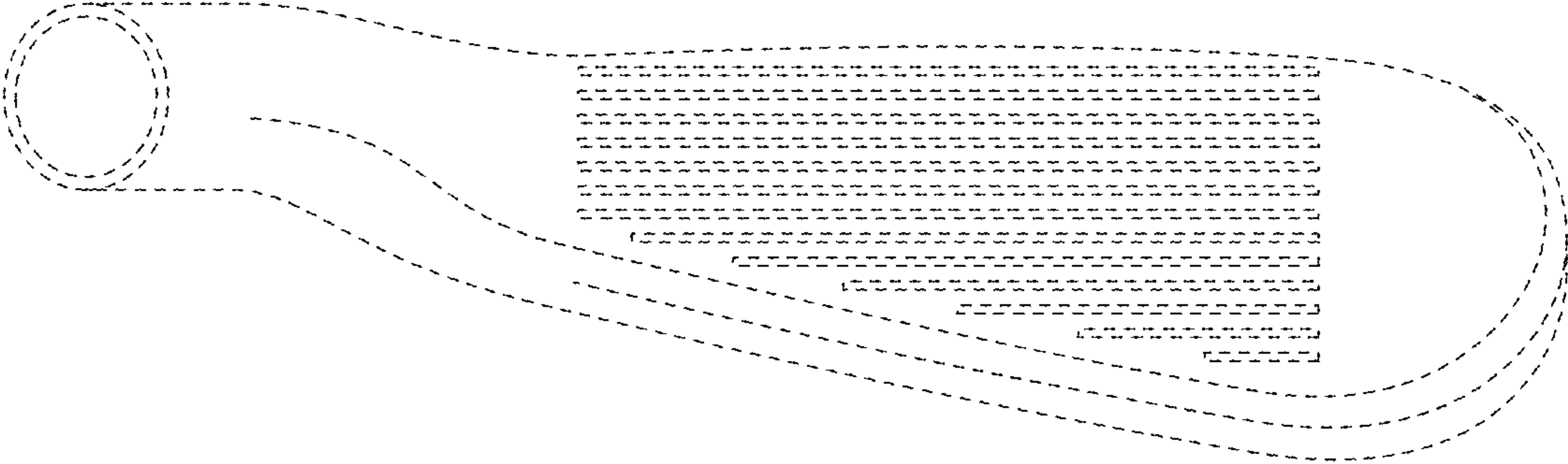


FIG. 6

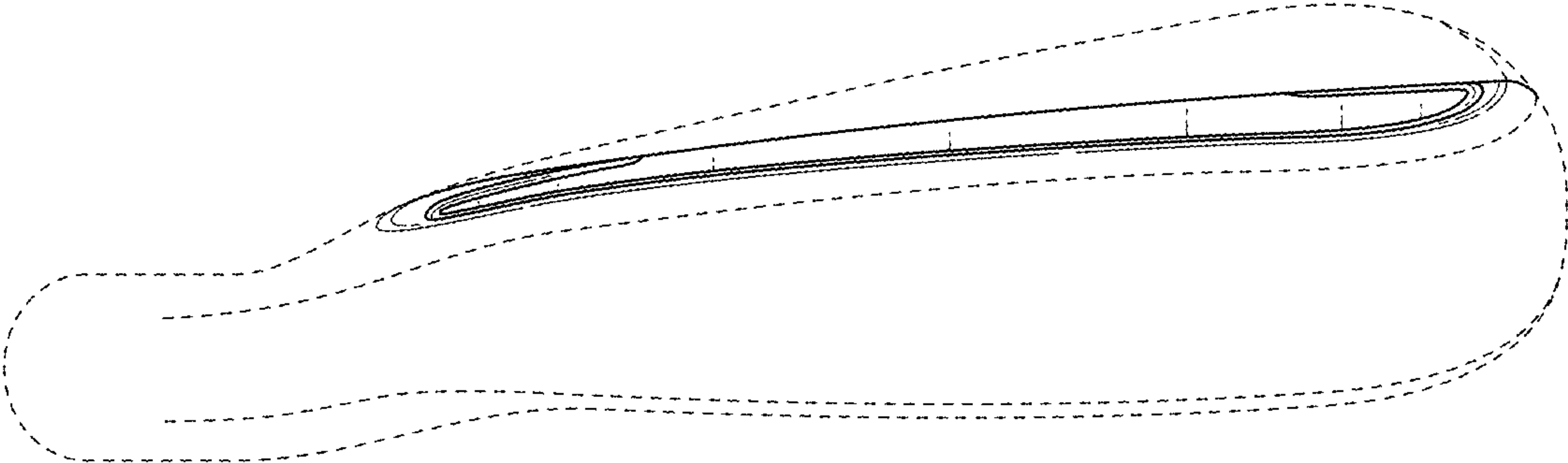


FIG. 7