



US00D946679S

(12) **United States Design Patent**
Rollinson et al.

(10) **Patent No.:** **US D946,679 S**

(45) **Date of Patent:** **** Mar. 22, 2022**

(54) **PUTTER HEAD**

(71) Applicant: **Callaway Golf Company**, Carlsbad,
CA (US)

(72) Inventors: **Augustin W. Rollinson**, Solana Beach,
CA (US); **Patrick Dawson**, San Diego,
CA (US)

(73) Assignee: **Callaway Golf Company**, Carlsbad,
CA (US)

(**) Term: **15 Years**

(21) Appl. No.: **29/747,080**

(22) Filed: **Aug. 19, 2020**

(51) **LOC (13) Cl.** **21-02**

(52) **U.S. Cl.**
USPC **D21/744**

(58) **Field of Classification Search**
USPC D21/736-746, 759
CPC A63B 53/00; A63B 53/04; A63B 53/007;
A63B 53/065; A63B 53/0487; A63B
60/00; A63B 60/46
See application file for complete search history.

(56) **References Cited**

U.S. PATENT DOCUMENTS

D228,930 S	*	10/1973	Leigh	D21/742
D360,670 S	*	7/1995	Nilsson	D21/741
D363,101 S	*	10/1995	Sturm	D21/746
D483,823 S	*	12/2003	Swist	D21/736
D531,241 S	*	10/2006	Hueber	D21/742
D532,847 S	*	11/2006	Rollinson	D21/736

D565,678 S	*	4/2008	Cameron	D21/736
D566,212 S	*	4/2008	Bardha	D21/736
D689,574 S	*	9/2013	Rollinson	D21/743
D715,388 S	*	10/2014	Serrano	D21/743
D763,980 S	*	8/2016	Radke	D21/736
D774,610 S	*	12/2016	Serrano	D21/744
D784,468 S	*	4/2017	Rollinson	D21/743
D797,222 S	*	9/2017	Serrano	D21/744
D840,482 S	*	2/2019	Serrano	D21/736
D858,666 S	*	9/2019	Serrano	D21/746
D907,731 S	*	1/2021	Rollinson	D21/759

* cited by examiner

Primary Examiner — Mitchell I. Siegel
(74) *Attorney, Agent, or Firm* — Rebecca Hanovice;
Michael Catania; Sonia Lari

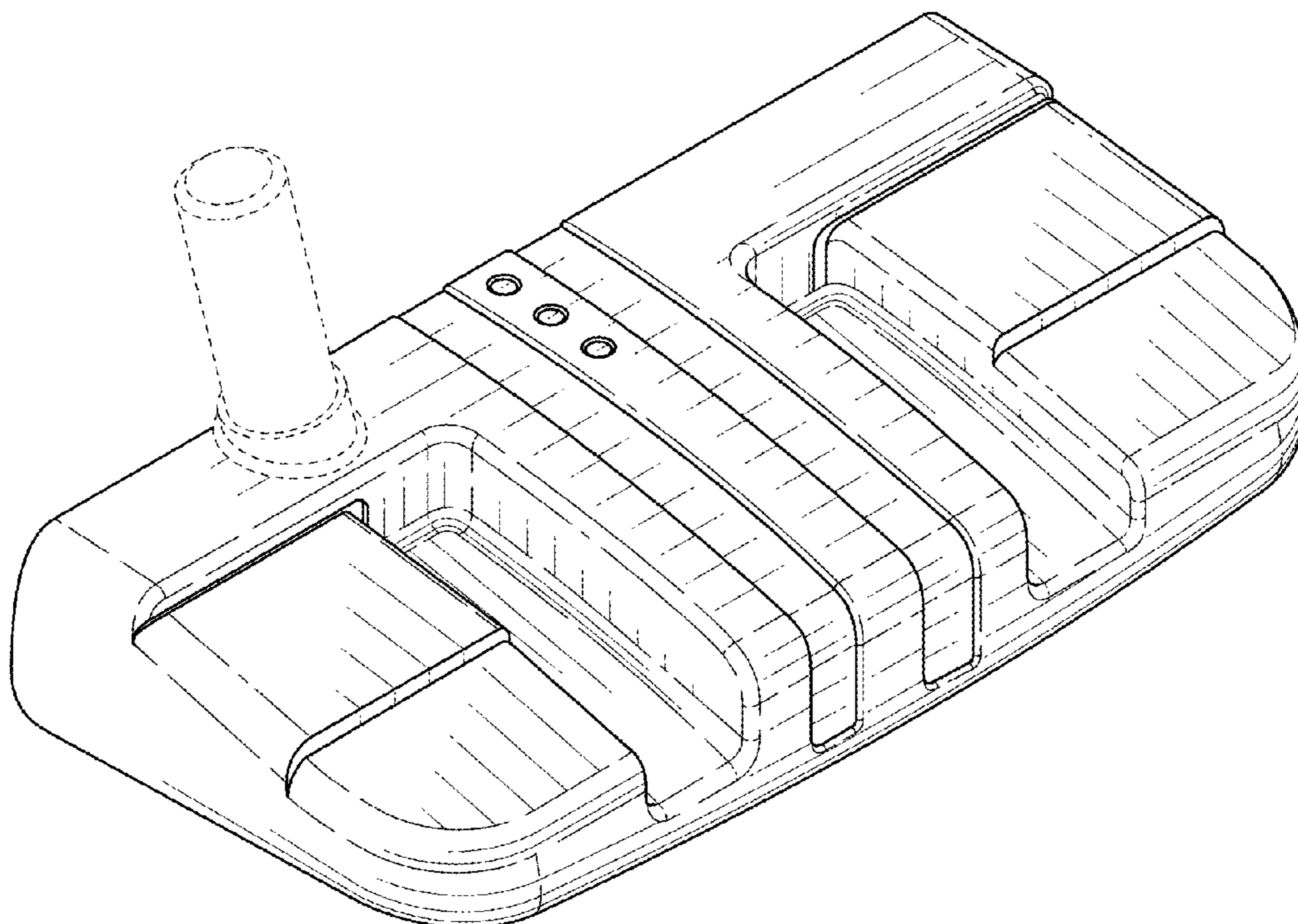
(57) **CLAIM**

The ornamental design for a putter head, as shown and described.

DESCRIPTION

FIG. 1 is a top perspective view of the putter head claimed herein;
FIG. 2 is a front elevational view thereof;
FIG. 3 is a rear elevational view thereof;
FIG. 4 is a left side elevational thereof;
FIG. 5 is right side elevational view thereof;
FIG. 6 is a top plan view thereof; and,
FIG. 7 is a bottom plan view thereof.
The broken lines in the figures show portions of the putter head that form no part of the claimed design.

1 Claim, 4 Drawing Sheets



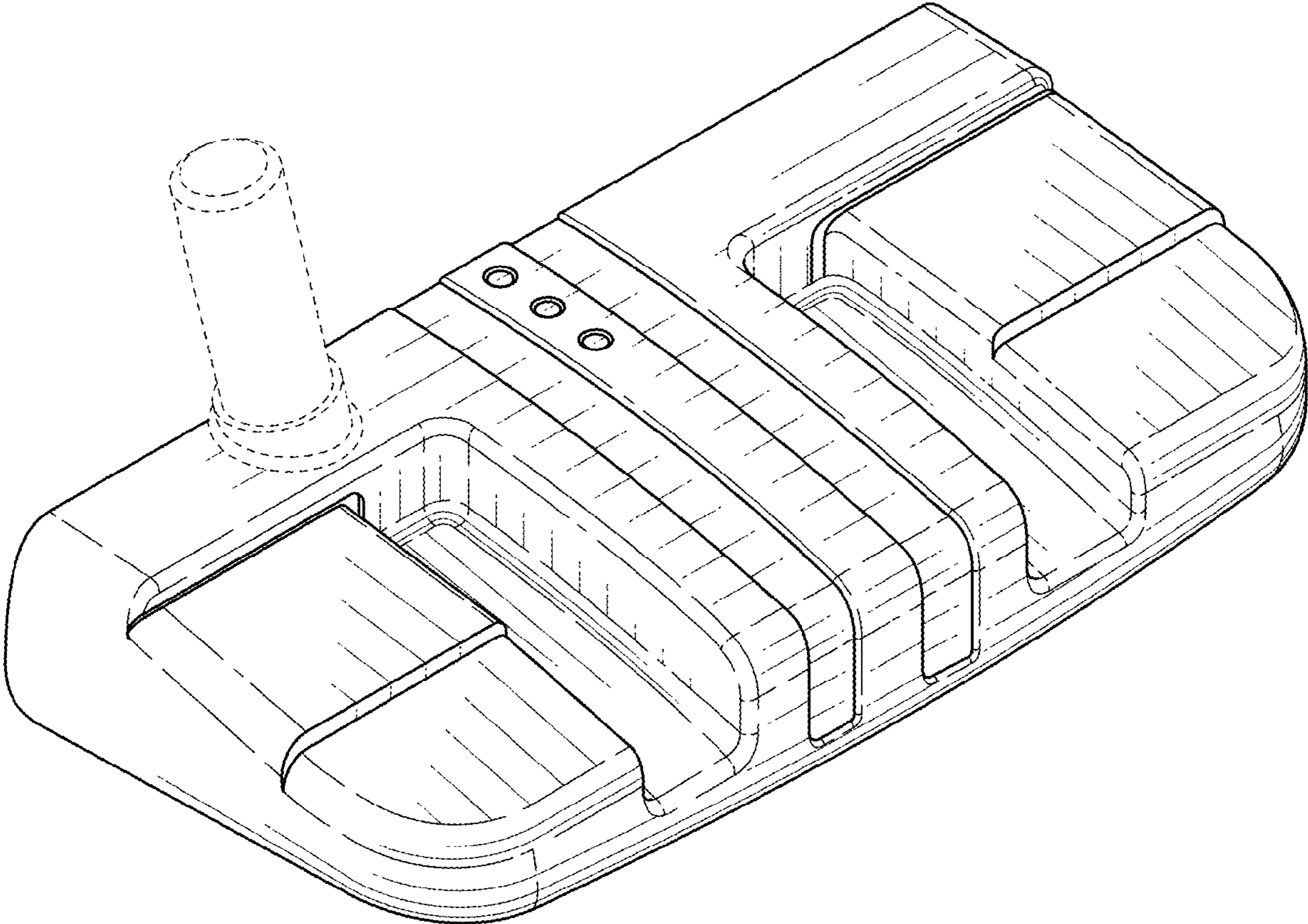


FIG. 1

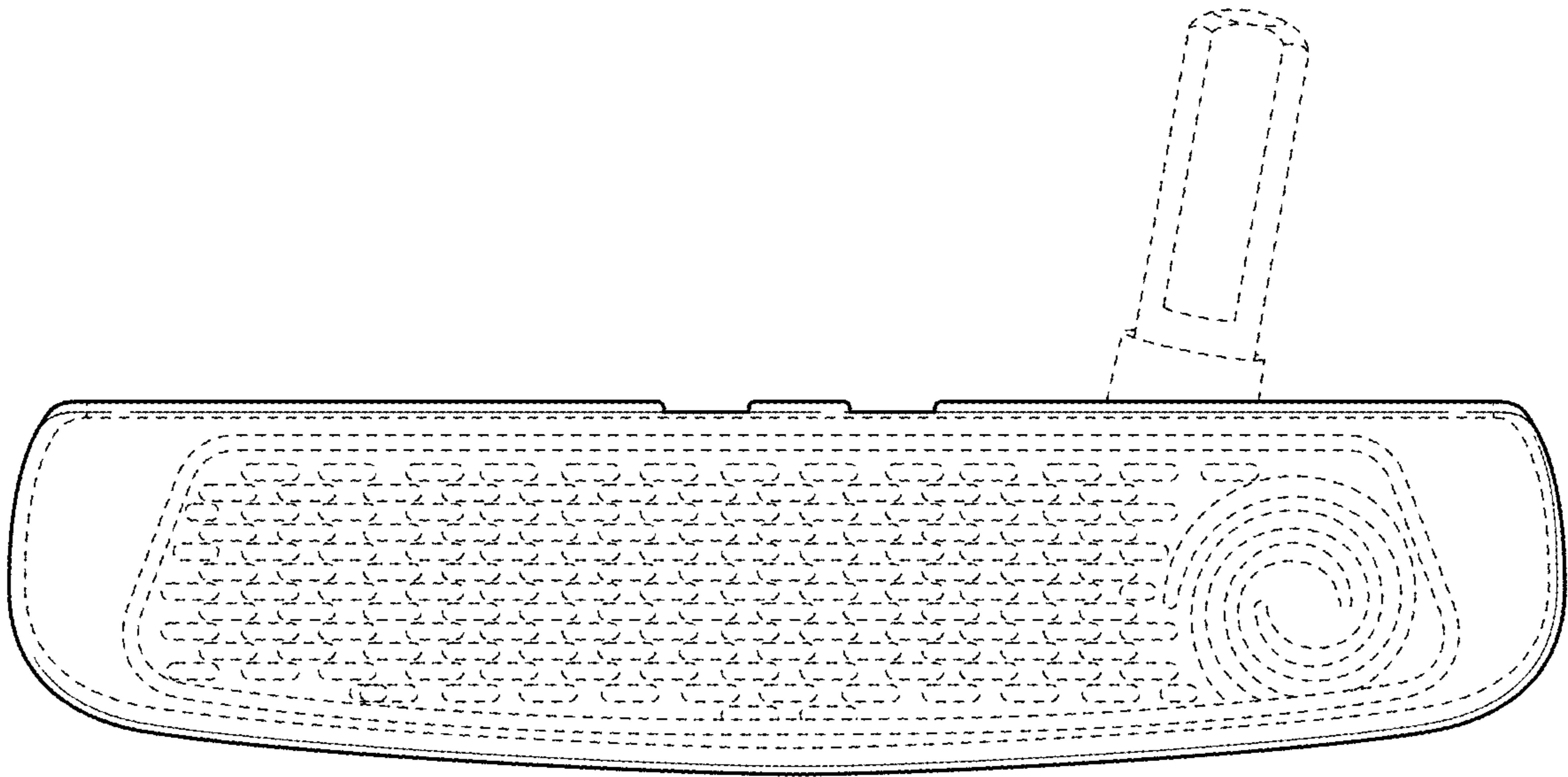


FIG. 2

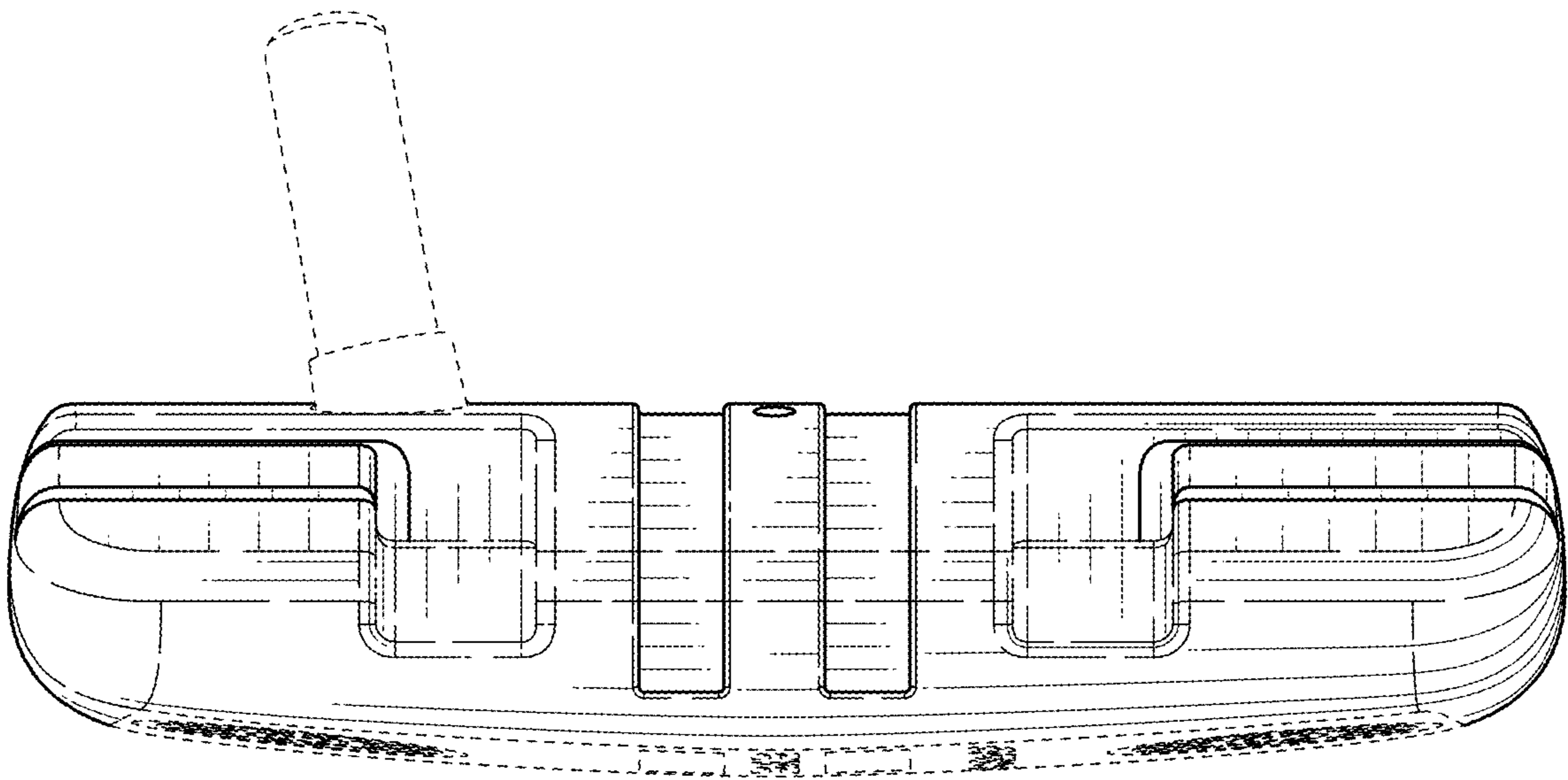


FIG. 3

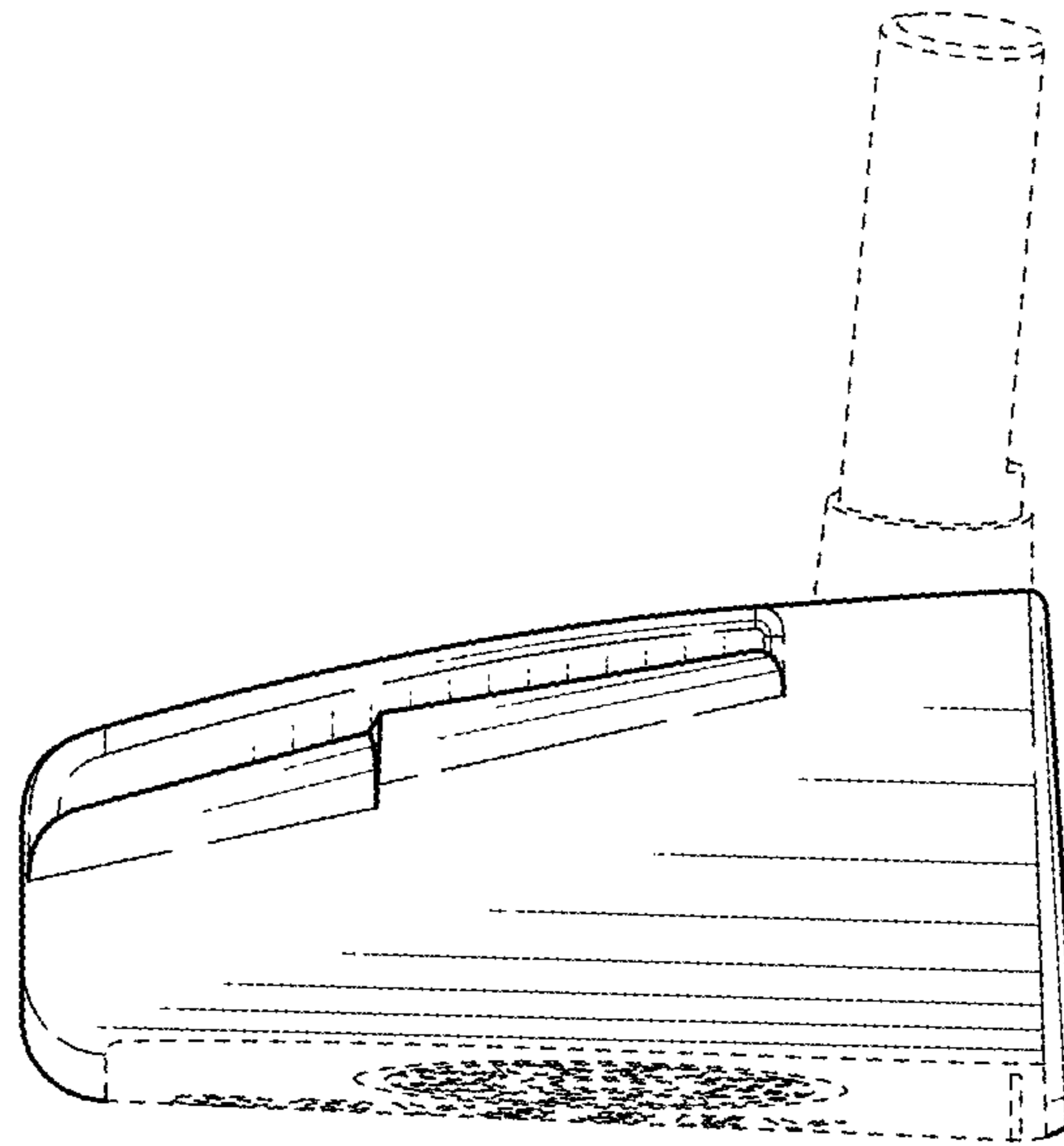


FIG. 4

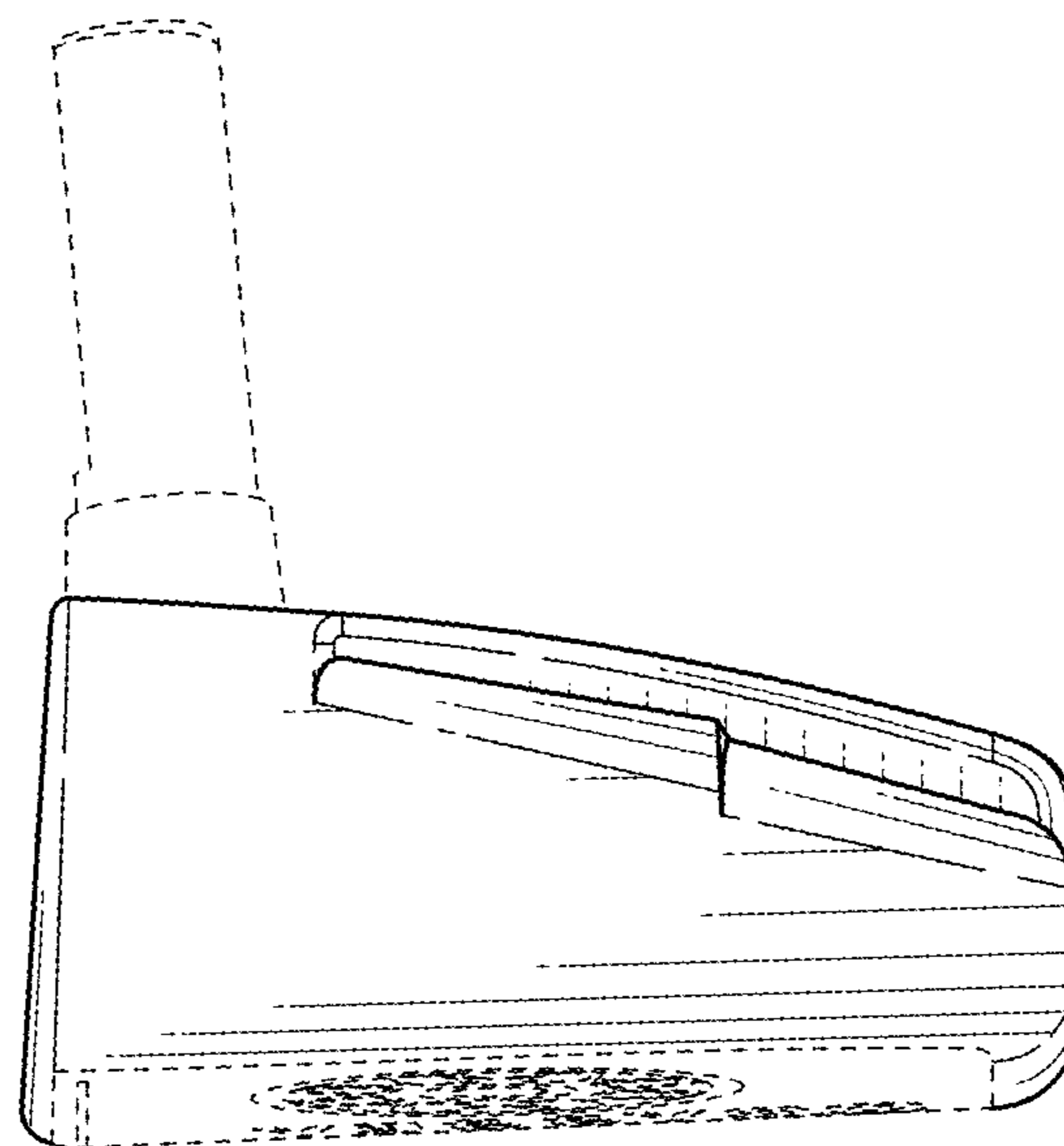


FIG. 5

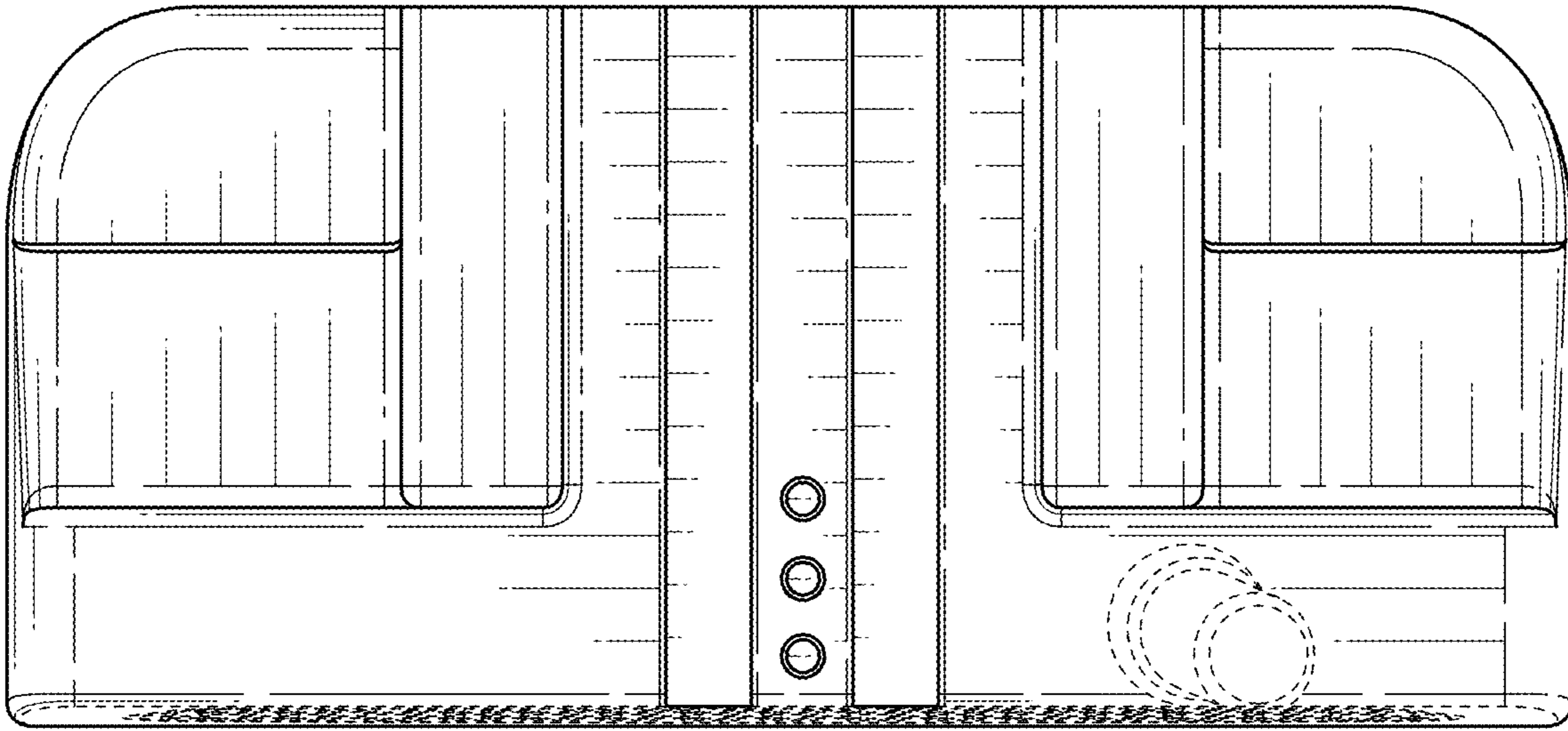


FIG. 6

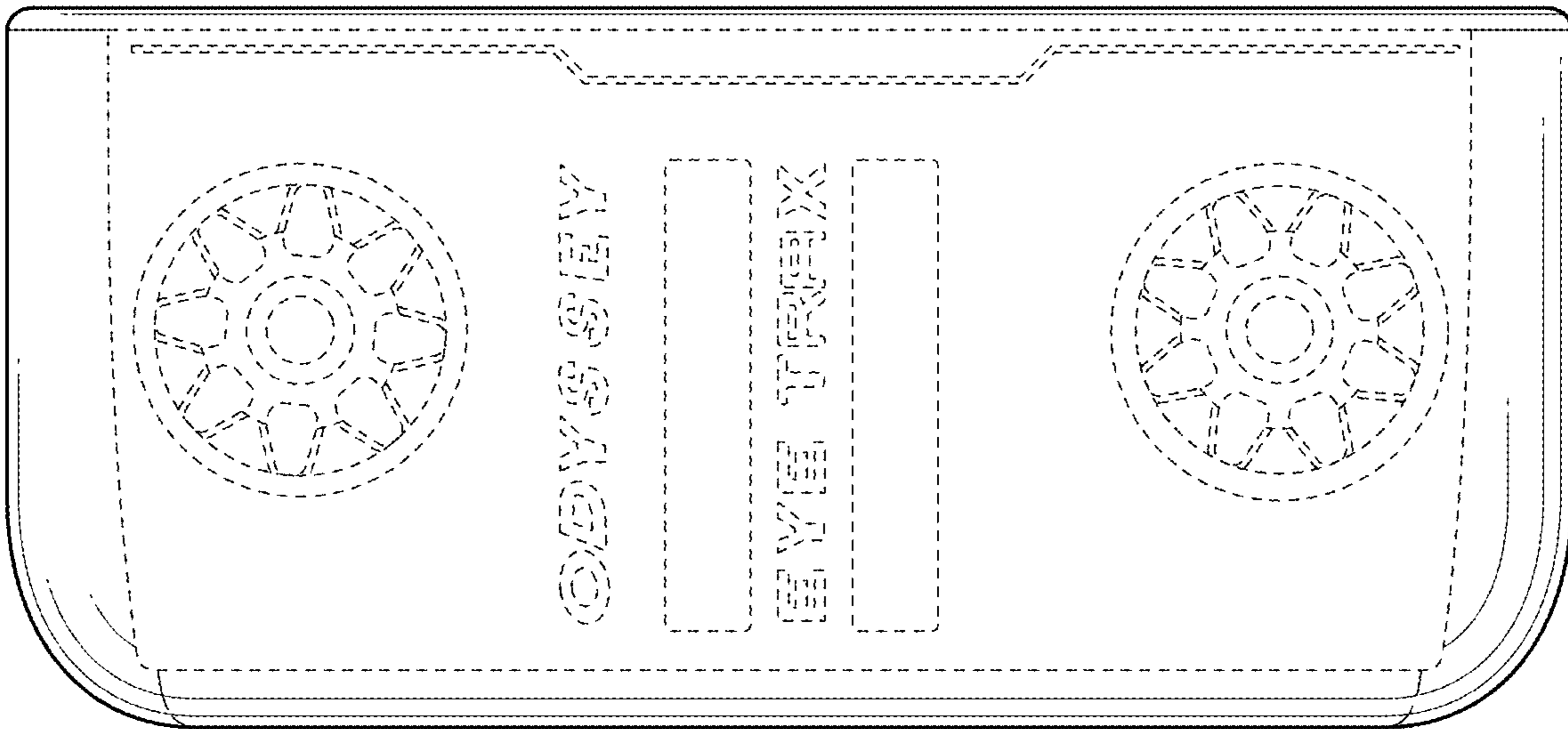


FIG. 7