



US00D946678S

(12) **United States Design Patent**
Rollinson et al.

(10) **Patent No.:** **US D946,678 S**
(45) **Date of Patent:** **** Mar. 22, 2022**

- (54) **PUTTER HEAD**
- (71) Applicant: **Callaway Golf Company**, Carlsbad, CA (US)
- (72) Inventors: **Augustin W. Rollinson**, Solana Beach, CA (US); **Patrick Dawson**, San Diego, CA (US)
- (73) Assignee: **Callaway Golf Company**, Carlsbad, CA (US)
- (**) Term: **15 Years**
- (21) Appl. No.: **29/747,075**
- (22) Filed: **Aug. 19, 2020**
- (51) **LOC (13) Cl.** **21-02**
- (52) **U.S. Cl.**
USPC **D21/744**
- (58) **Field of Classification Search**
USPC D21/736-746, 759
CPC A63B 53/00; A63B 53/04; A63B 53/007;
A63B 53/065; A63B 53/0487; A63B
60/00; A63B 60/46
See application file for complete search history.

| | | | | |
|--------------|---------|------------|-------|---------|
| D590,035 S * | 4/2009 | Hilton | | D21/744 |
| D591,372 S * | 4/2009 | Tang | | D21/743 |
| D591,807 S * | 5/2009 | Rollinson | | D21/744 |
| D594,517 S * | 6/2009 | Tang | | D21/736 |
| D626,191 S * | 10/2010 | Hilton | | D21/744 |
| D626,615 S * | 11/2010 | Isbrandt | | D21/759 |
| D688,341 S * | 8/2013 | Rollinson | | D21/746 |
| D728,715 S * | 5/2015 | Cameron | | D21/736 |
| D768,248 S * | 10/2016 | Rollinson | | D21/744 |
| D771,208 S * | 11/2016 | Bettinardi | | D21/744 |
| D773,573 S * | 12/2016 | Abbott | | D21/744 |
| D776,215 S * | 1/2017 | Becktor | | D21/742 |
| D776,217 S * | 1/2017 | Seagram | | D21/759 |
| D776,771 S * | 1/2017 | Peterson | | D21/744 |
| D777,270 S * | 1/2017 | Rollinson | | D21/744 |
| D801,459 S * | 10/2017 | Rollinson | | D21/746 |
| D807,453 S * | 1/2018 | Serrano | | D21/743 |
| D813,963 S * | 3/2018 | Lapuz | | D21/742 |
| D815,222 S * | 4/2018 | Serrano | | D21/743 |
| D832,381 S * | 10/2018 | Serrano | | D21/743 |

(Continued)

Primary Examiner — Mitchell I. Siegel
(74) *Attorney, Agent, or Firm* — Rebecca Hanovice;
Michael Catania; Sonia Lari

(57) **CLAIM**

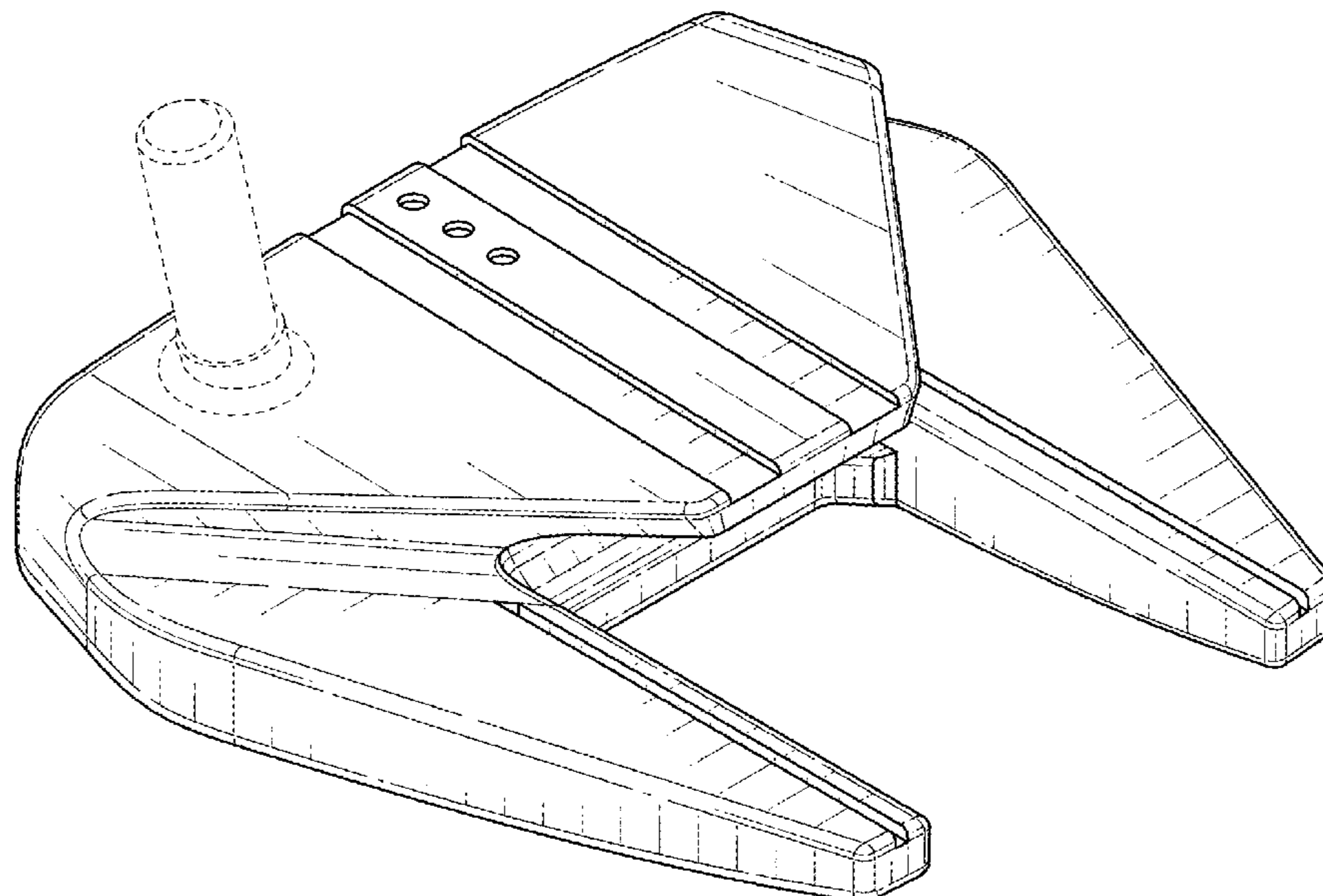
The ornamental design for a putter head, as shown and described.

DESCRIPTION

FIG. 1 is a top perspective view of the putter head claimed herein;
FIG. 2 is a front elevational view thereof;
FIG. 3 is a rear elevational view thereof;
FIG. 4 is a left side elevational thereof;
FIG. 5 is right side elevational view thereof;
FIG. 6 is a top plan view thereof; and,
FIG. 7 is a bottom plan view thereof.
The broken lines in the figures show portions of the putter head that form no part of the claimed design.

1 Claim, 5 Drawing Sheets

- (56) **References Cited**
U.S. PATENT DOCUMENTS
- 2,503,506 A * 4/1950 Miller A63B 69/3685
473/251
- D246,329 S * 11/1977 Little D21/739
- D296,120 S * 6/1988 Brace D21/739
- D310,115 S * 8/1990 Iinuma D21/739
- D314,031 S * 1/1991 Iinuma D21/739
- D323,867 S * 2/1992 Rizzotto D21/740
- D441,041 S * 4/2001 Opie D21/743
- 6,379,259 B1 * 4/2002 Opie A63B 53/0487
473/251
- D582,497 S * 12/2008 Rollinson D21/744
- D585,510 S * 1/2009 Murrieta D21/736



(56)

References Cited

U.S. PATENT DOCUMENTS

| | | | |
|--------------|---------|-----------------|---------|
| D844,722 S * | 4/2019 | Wang | D21/736 |
| D846,047 S * | 4/2019 | Hilton | D21/744 |
| D846,048 S * | 4/2019 | Hilton | D21/744 |
| D860,356 S * | 9/2019 | Rollinson | D21/744 |
| D892,954 S * | 8/2020 | Clarke | D21/736 |
| D893,645 S * | 8/2020 | Serrano | D21/743 |
| D895,748 S * | 9/2020 | Rollinson | D21/743 |
| D921,140 S * | 6/2021 | Serrano | D21/736 |
| D930,095 S * | 9/2021 | Wang | D21/743 |
| D934,362 S * | 10/2021 | Toulon | D21/743 |
| D936,768 S * | 11/2021 | Cameron | D21/736 |
| D936,769 S * | 11/2021 | Cameron | D21/744 |
| D936,770 S * | 11/2021 | Cameron | D21/744 |

* cited by examiner

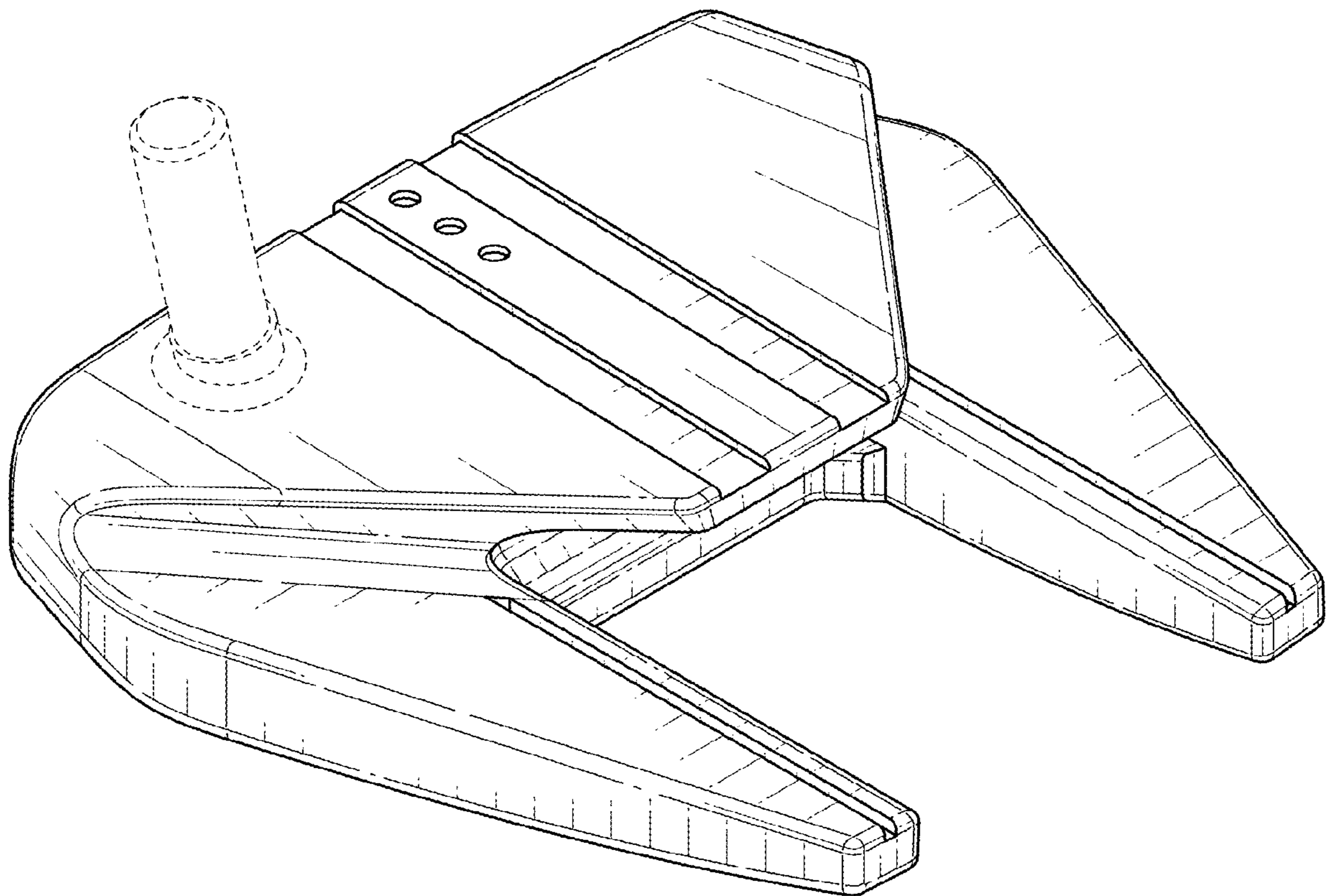


FIG. 1

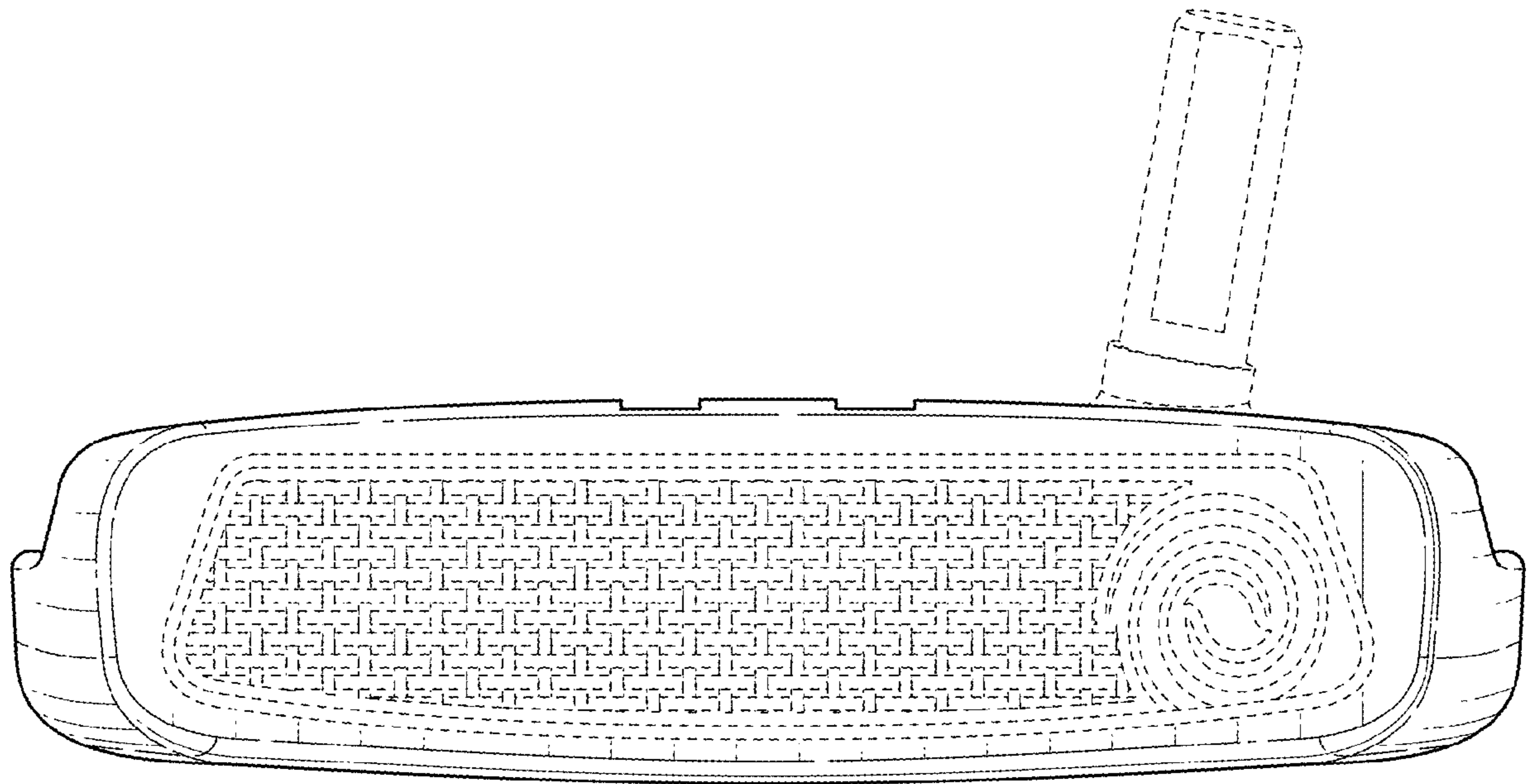


FIG. 2

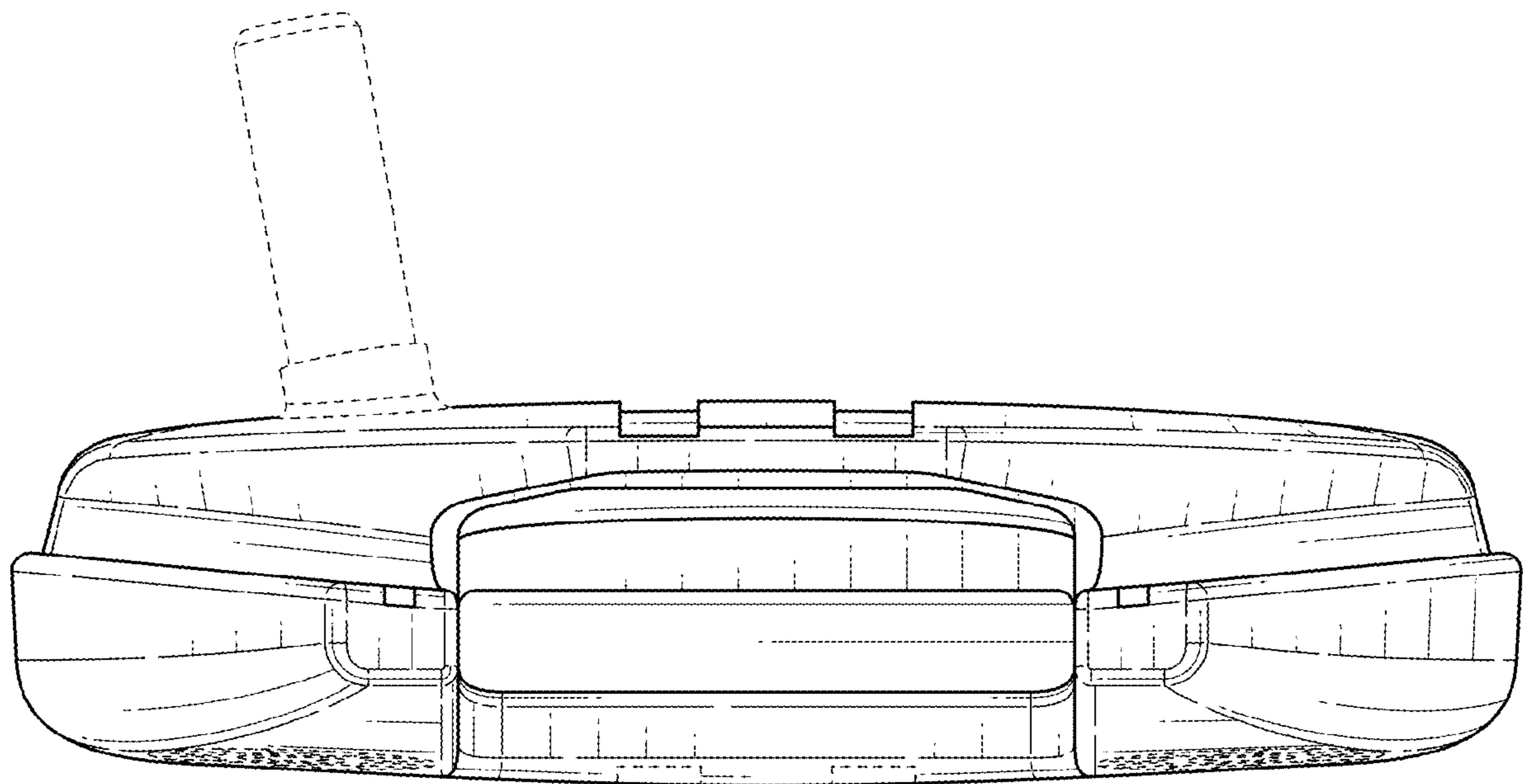


FIG. 3

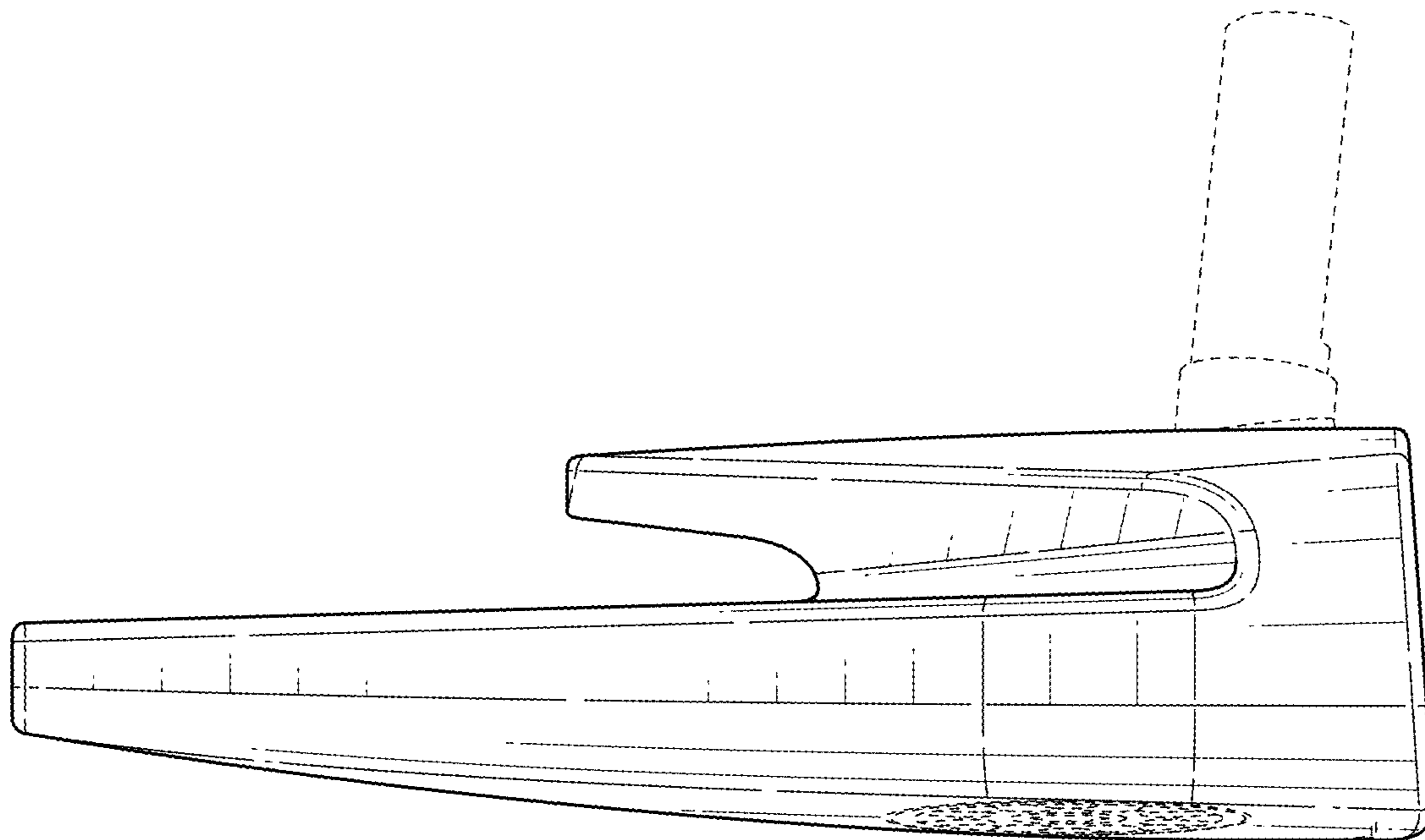


FIG. 4

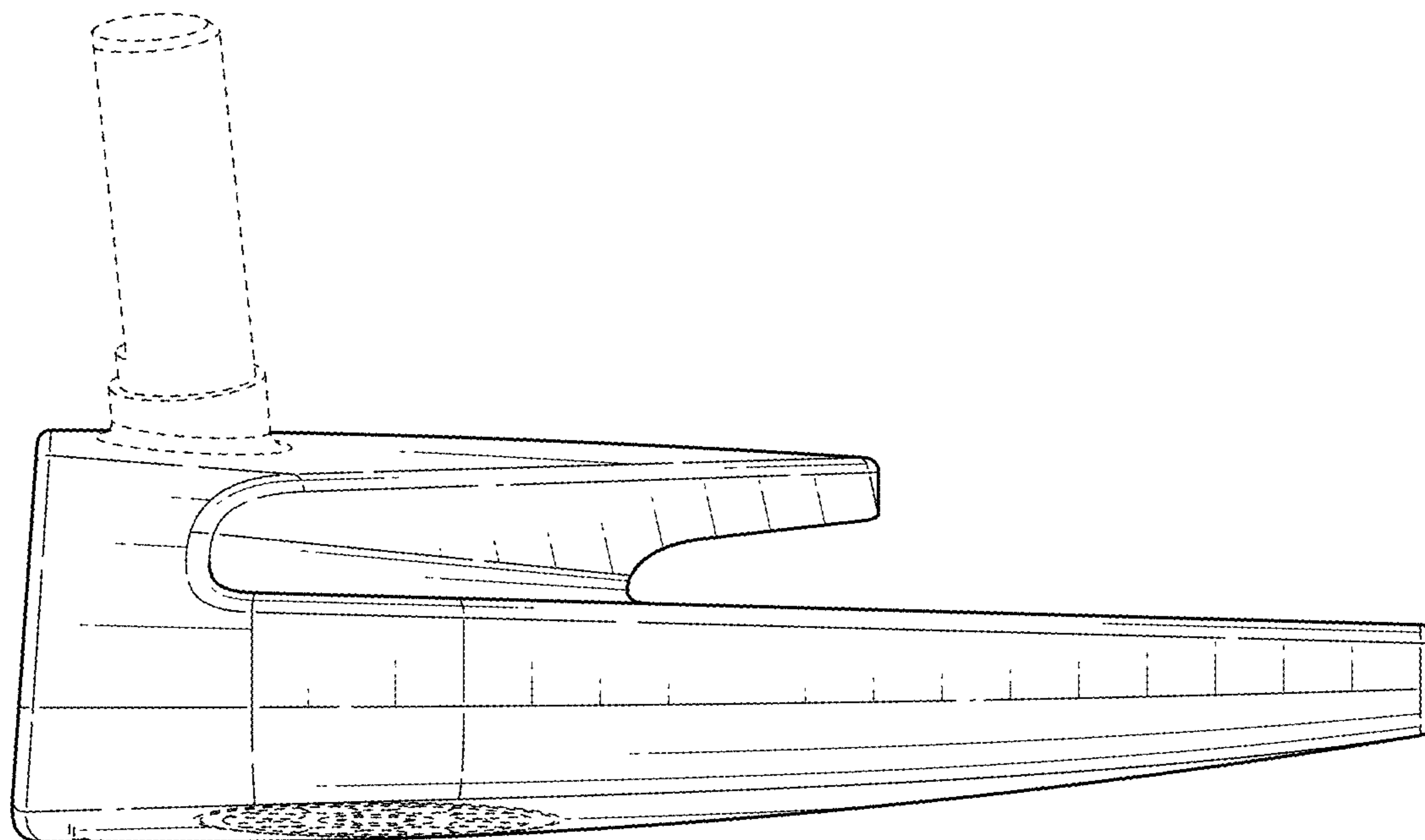


FIG. 5

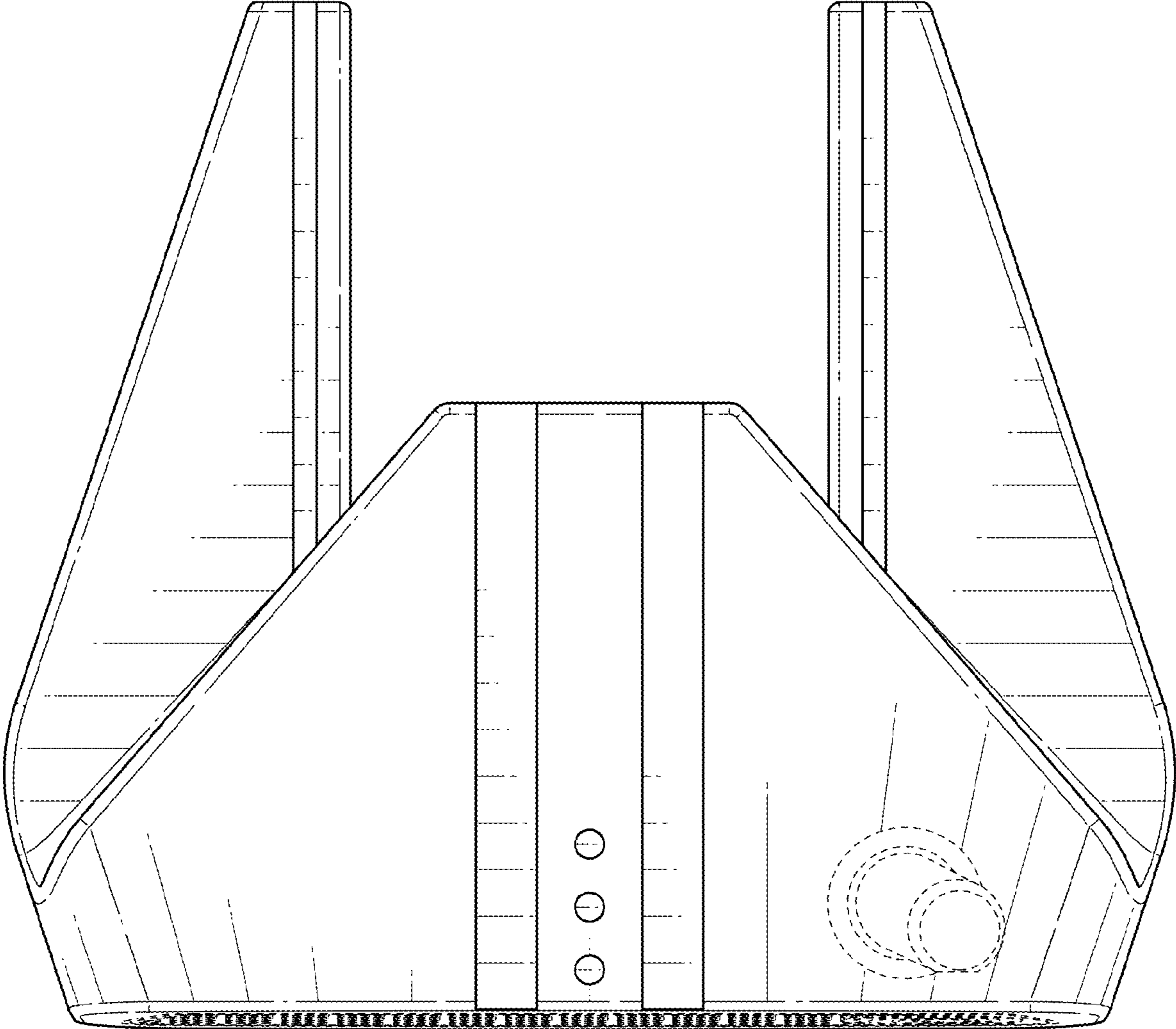


FIG. 6

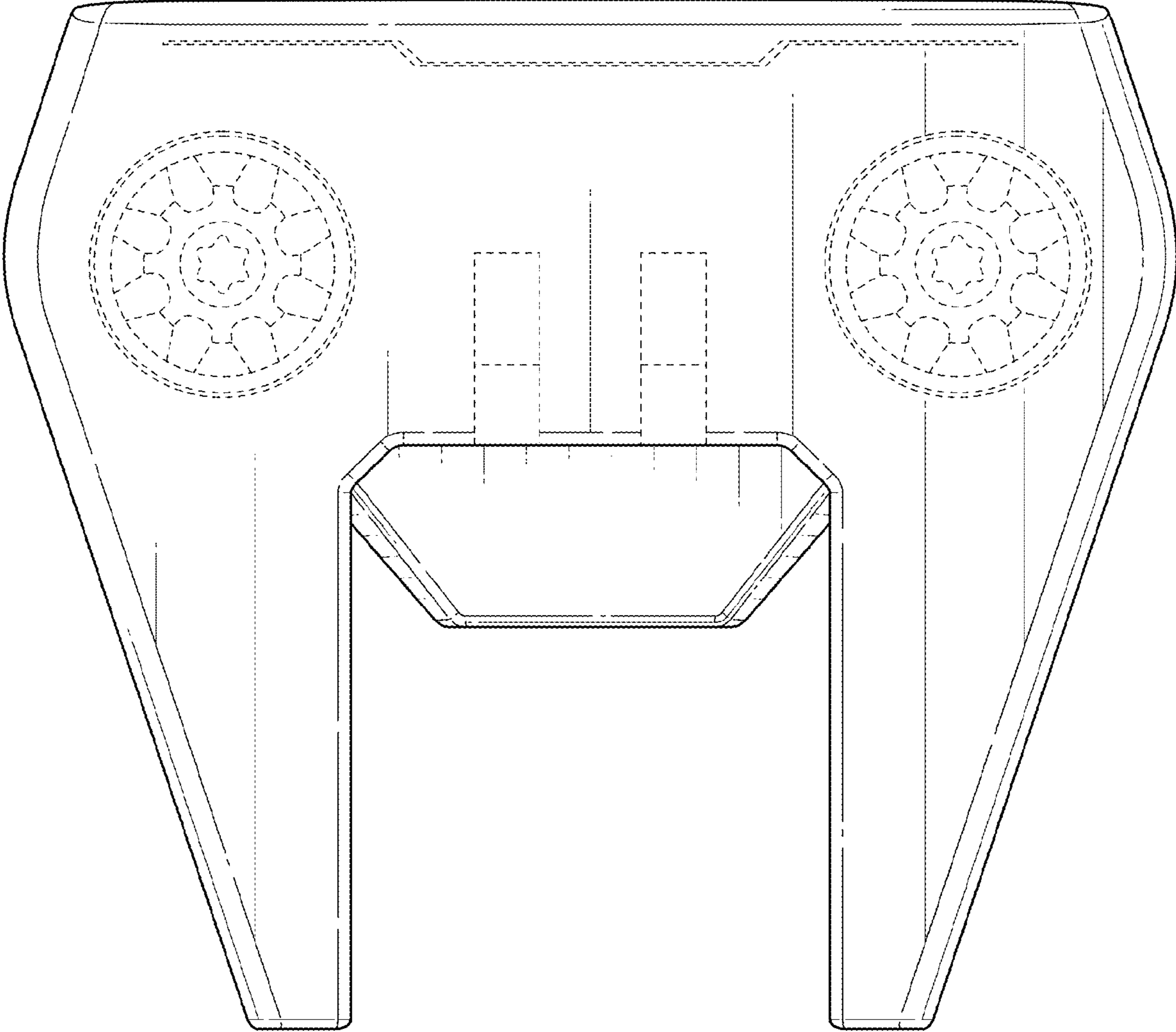


FIG. 7