



US00D946676S

(12) **United States Design Patent**  
**Hume et al.**

(10) **Patent No.:** **US D946,676 S**

(45) **Date of Patent:** **\*\* Mar. 22, 2022**

(54) **MULTIPLE MOVEMENT EXERCISE DEVICE**

(71) Applicant: **High Street TV (Group) Ltd.**,  
Harrogate (GB)

(72) Inventors: **Josh Hume**, Harrogate (GB); **Luke Modeste**, Harrogate (GB)

(73) Assignee: **High Street TV (Group) Ltd.**, North  
Yorkshire (GB)

(\*\*) Term: **15 Years**

(21) Appl. No.: **29/653,643**

(22) Filed: **Jun. 18, 2018**

(51) **LOC (13) Cl.** ..... **21-02**

(52) **U.S. Cl.**  
USPC ..... **D21/686**

(58) **Field of Classification Search**  
USPC ..... D21/662, 668, 670, 671, 672, 676, 685,  
D21/686, 690, 695, 696, 498, 499, 484  
CPC ... A63B 21/00072; A63B 21/00; A63B 23/02;  
A63B 17/00  
See application file for complete search history.

(56) **References Cited**

**U.S. PATENT DOCUMENTS**

|           |   |   |         |          |       |           |
|-----------|---|---|---------|----------|-------|-----------|
| 3,225,460 | A | * | 12/1965 | Randell  | ..... | A63F 9/24 |
|           |   |   |         |          |       | 434/236   |
| D369,100  | S | * | 4/1996  | Johnson  | ..... | D21/499   |
| D464,682  | S | * | 10/2002 | Lin      | ..... | D21/499   |
| D490,483  | S | * | 5/2004  | Auberger | ..... | D21/499   |
| D579,057  | S | * | 10/2008 | Arms     | ..... | D21/373   |
| D580,995  | S | * | 11/2008 | Chun     | ..... | D21/499   |
| D718,715  | S | * | 12/2014 | Si       | ..... | D13/110   |
| D736,186  | S | * | 8/2015  | Kauppila | ..... | D14/225   |

|              |    |   |         |           |       |             |
|--------------|----|---|---------|-----------|-------|-------------|
| D752,661     | S  | * | 3/2016  | Anantha   | ..... | D15/122     |
| D760,825     | S  | * | 7/2016  | Solorzano | ..... | D15/122     |
| D818,054     | S  | * | 5/2018  | McLachlan | ..... | D21/468     |
| D827,727     | S  | * | 9/2018  | McLachlan | ..... | D21/468     |
| D849,155     | S  | * | 5/2019  | Lo        | ..... | D21/499     |
| D856,976     | S  | * | 8/2019  | Kang      | ..... | D14/215     |
| D864,262     | S  | * | 10/2019 | Noorazar  | ..... | D15/122     |
| D873,352     | S  | * | 1/2020  | Lo        | ..... | D21/499     |
| D879,850     | S  | * | 3/2020  | Wolf      | ..... | D15/199     |
| D921,127     | S  | * | 6/2021  | Kendall   | ..... | D21/499     |
| 2018/0272191 | A1 | * | 9/2018  | Osler     | ..... | A47C 9/02   |
| 2020/0001127 | A1 | * | 1/2020  | Hume      | ..... | A63B 21/068 |

\* cited by examiner

*Primary Examiner* — Khawaja Anwar

*Assistant Examiner* — Julice Seung Eun Oum

(74) *Attorney, Agent, or Firm* — Kowert, Hood, Munyon,  
Rankin & Goetzel, P.C.; Gareth M. Sampson

(57) **CLAIM**

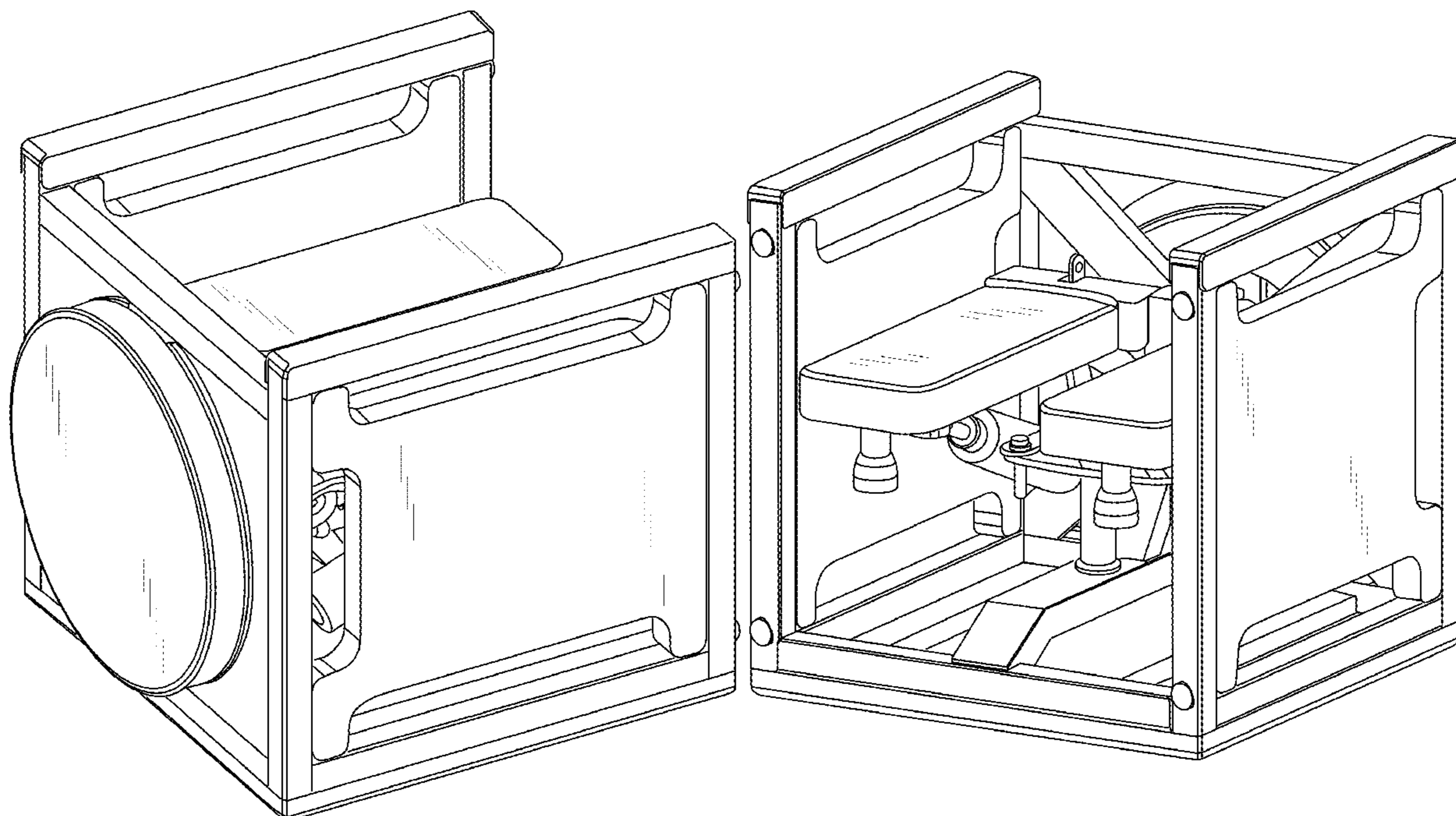
The ornamental design for a multiple movement exercise device, as shown and described.

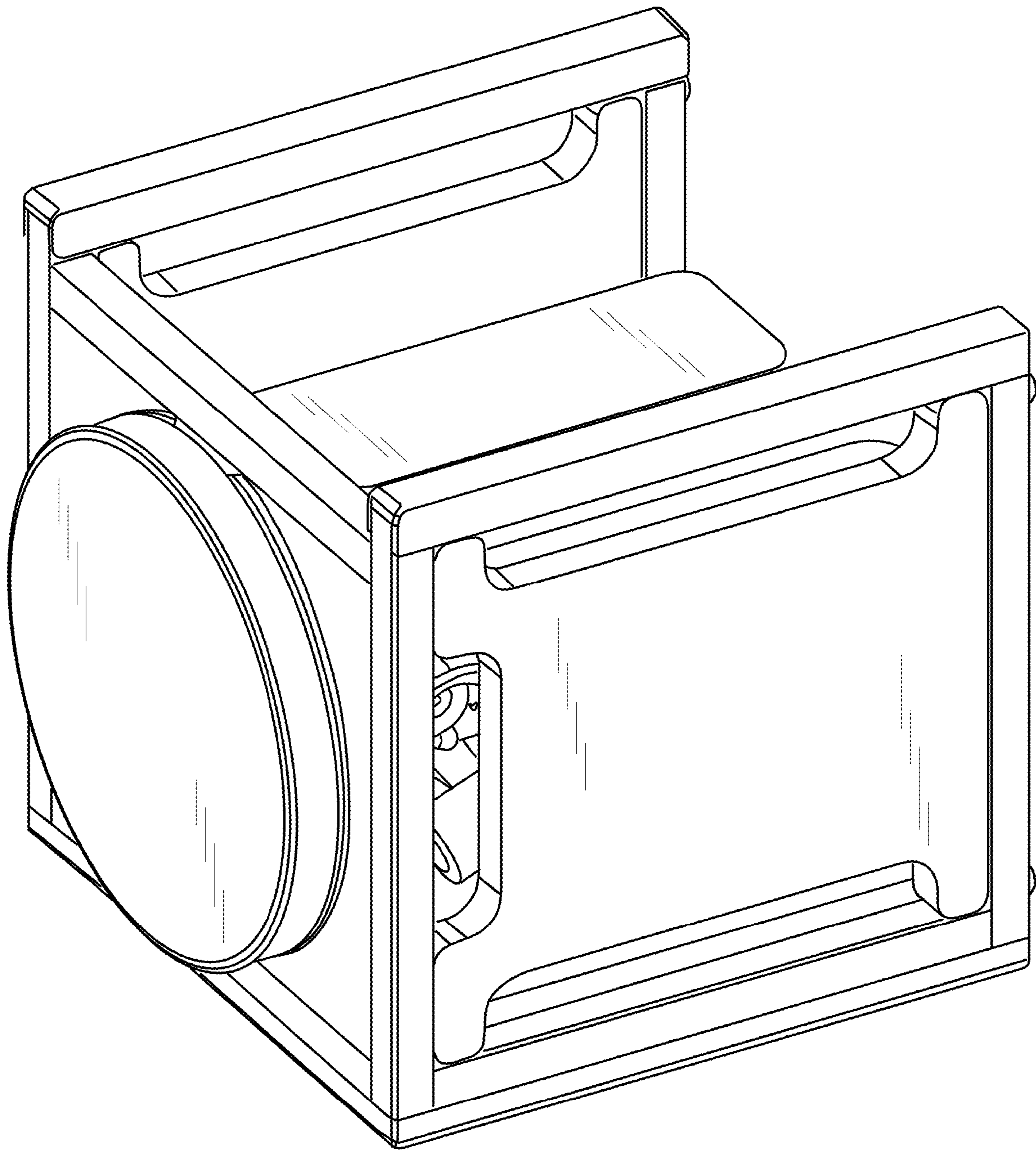
**DESCRIPTION**

FIG. 1 is a front, top, and left side perspective view of a multiple movement exercise device;  
FIG. 2 is a rear, top, and right side perspective view thereof;  
FIG. 3 is a front view thereof;  
FIG. 4 is a rear view thereof;  
FIG. 5 is a bottom view thereof;  
FIG. 6 is a top view thereof;  
FIG. 7 is a left side view thereof; and,  
FIG. 8 is a right side view thereof.

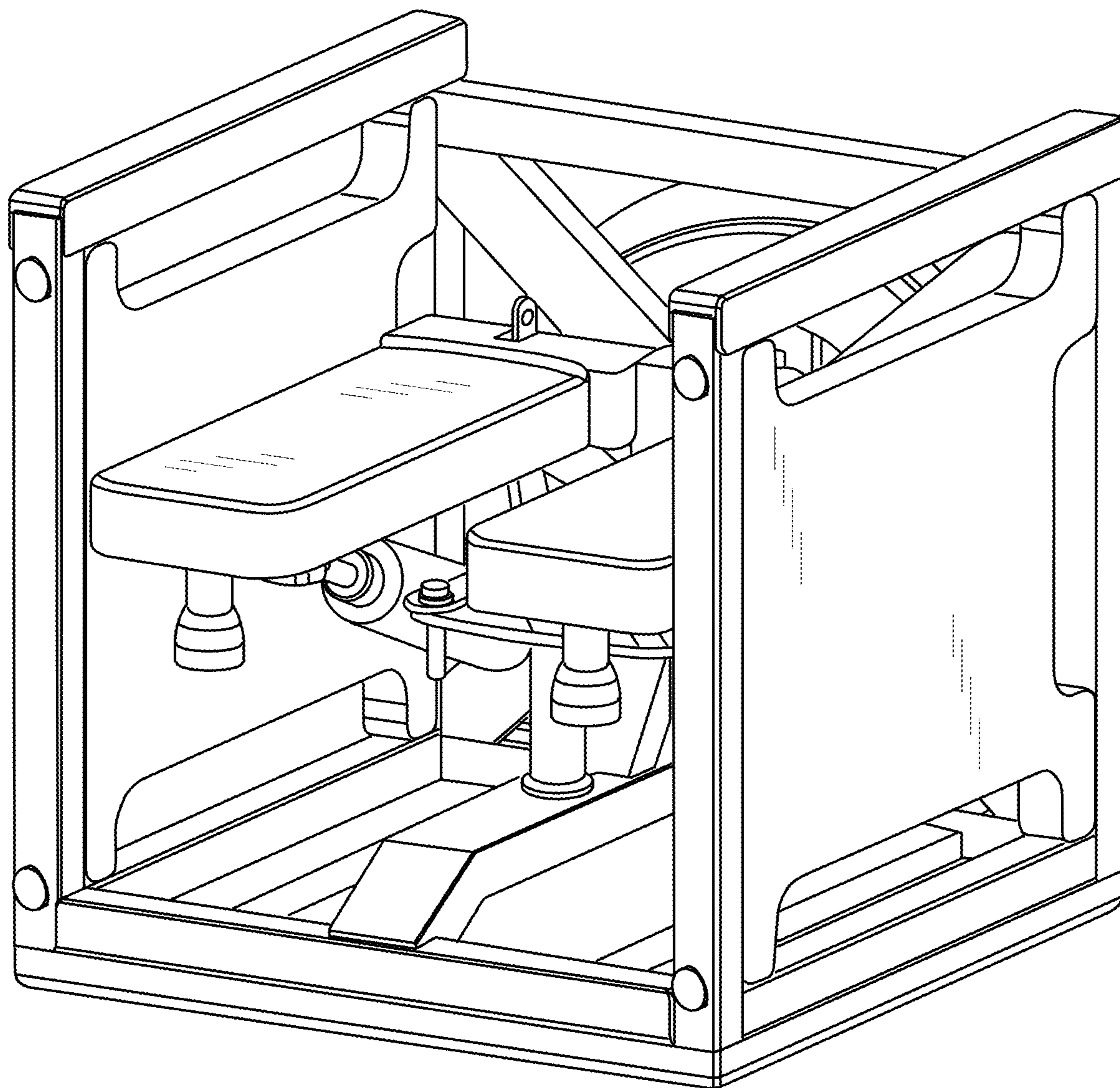
The broken lines in the drawings are for illustrative purposes only and form no part of the claimed design.

**1 Claim, 8 Drawing Sheets**





*FIG. 1*



*FIG. 2*

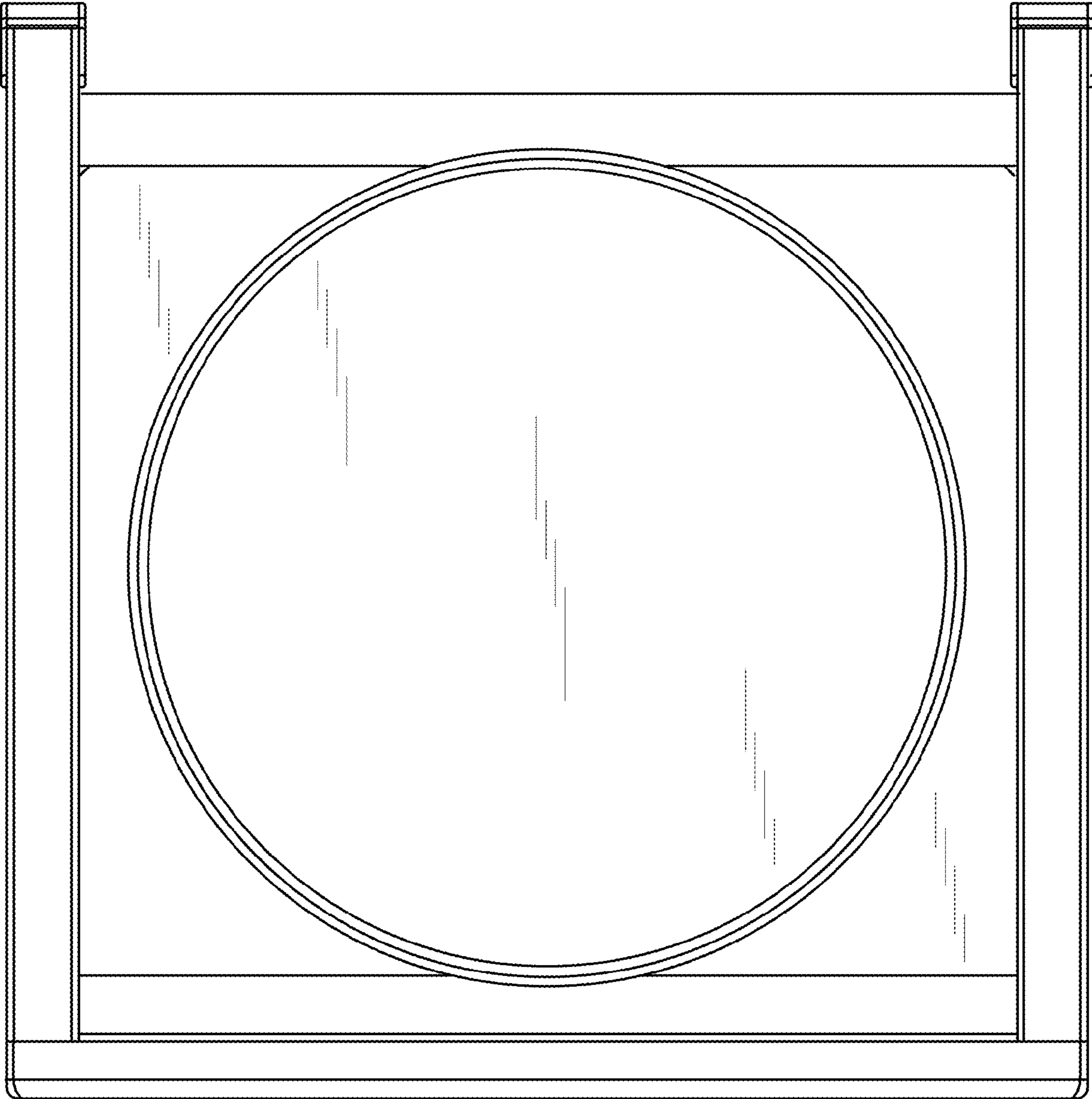


FIG. 3

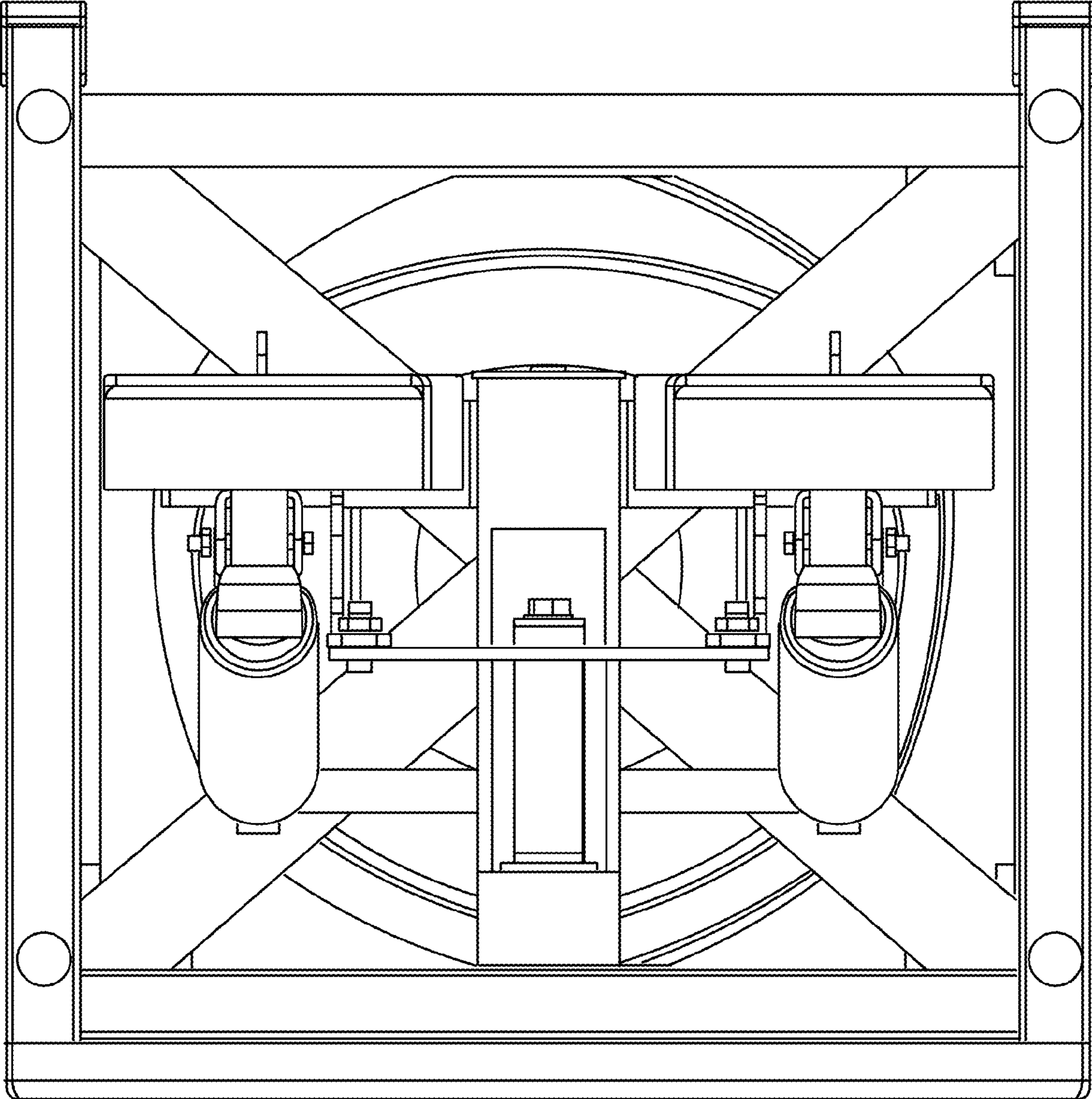
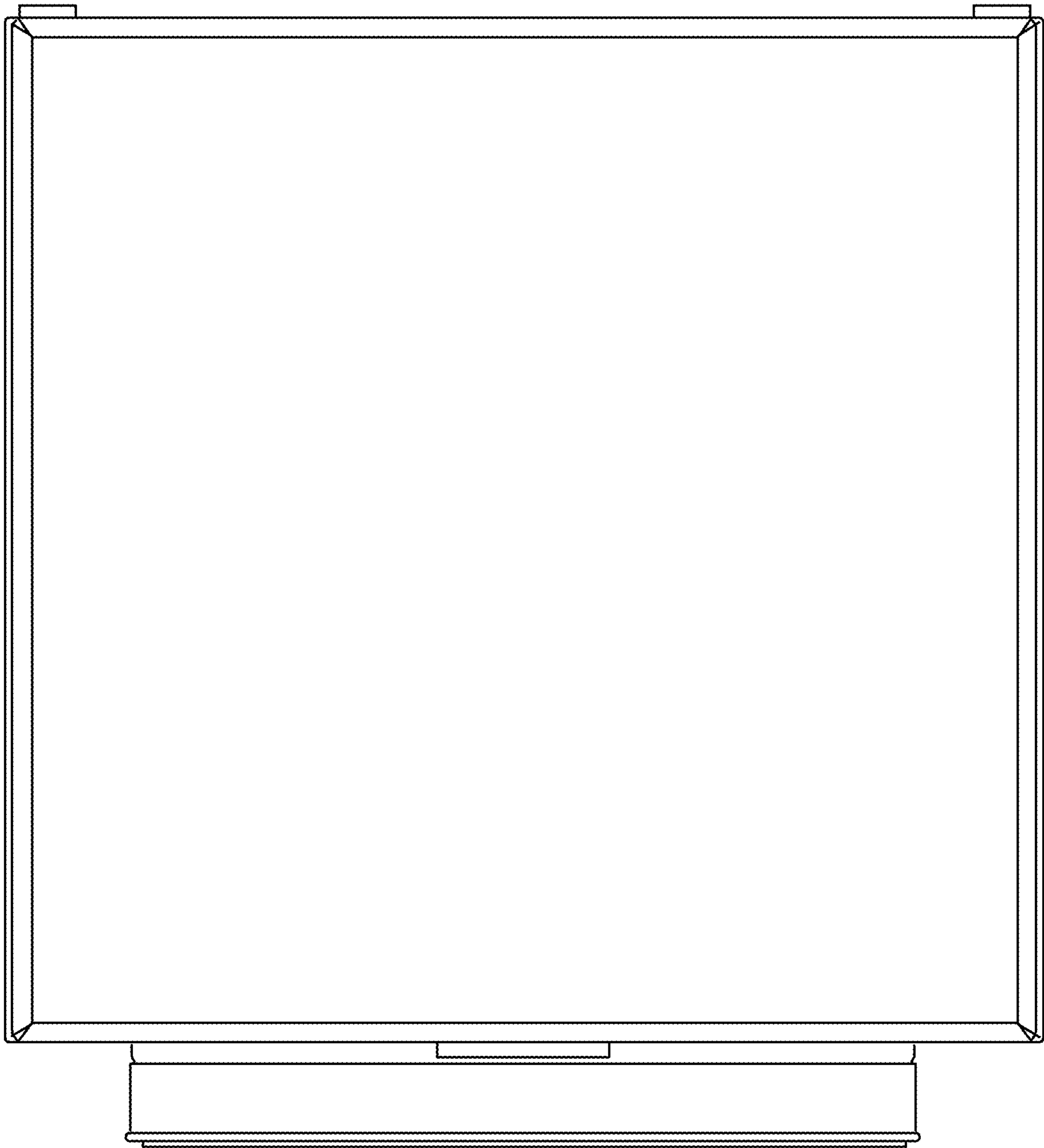


FIG. 4



*FIG. 5*

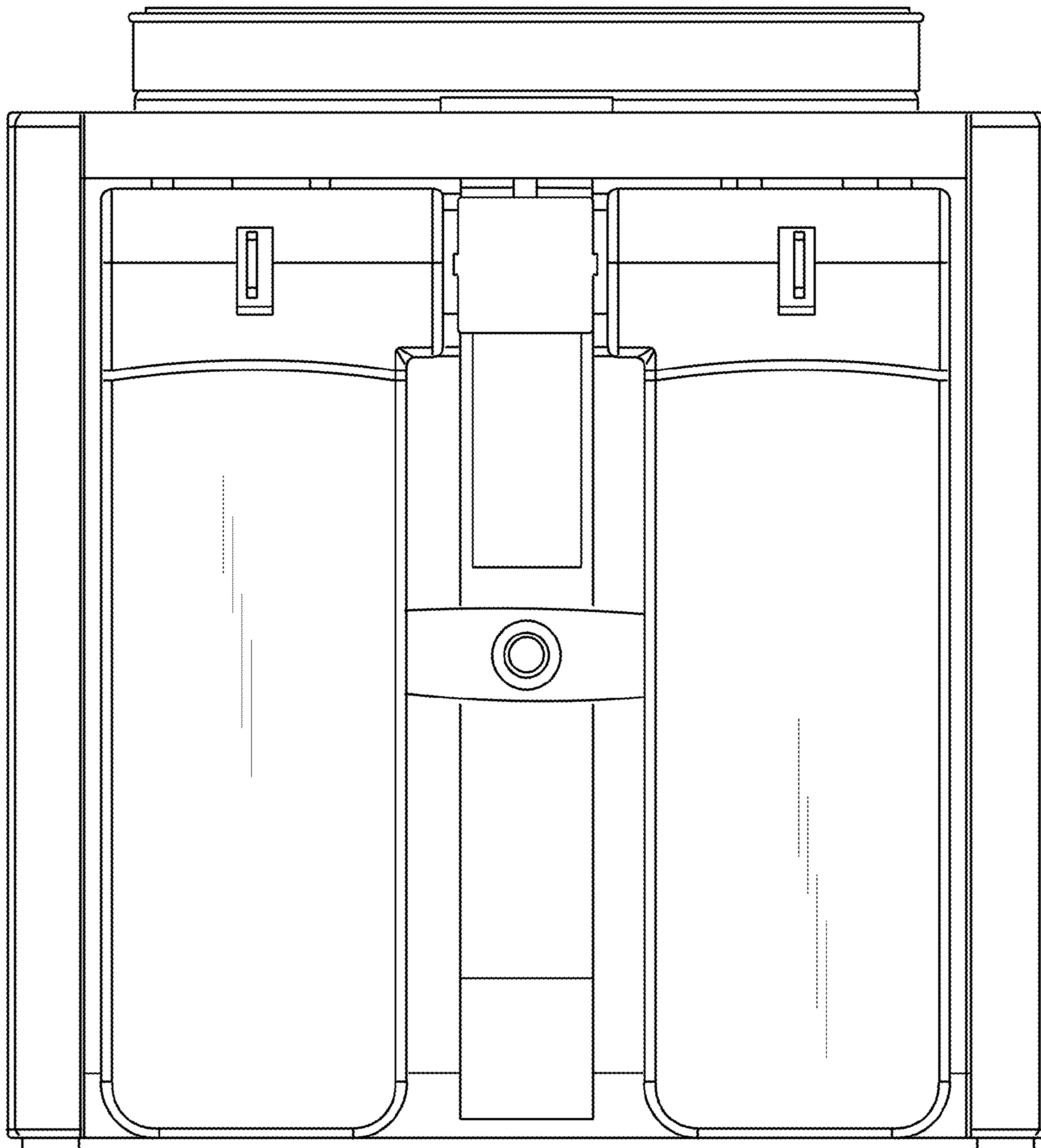


FIG. 6

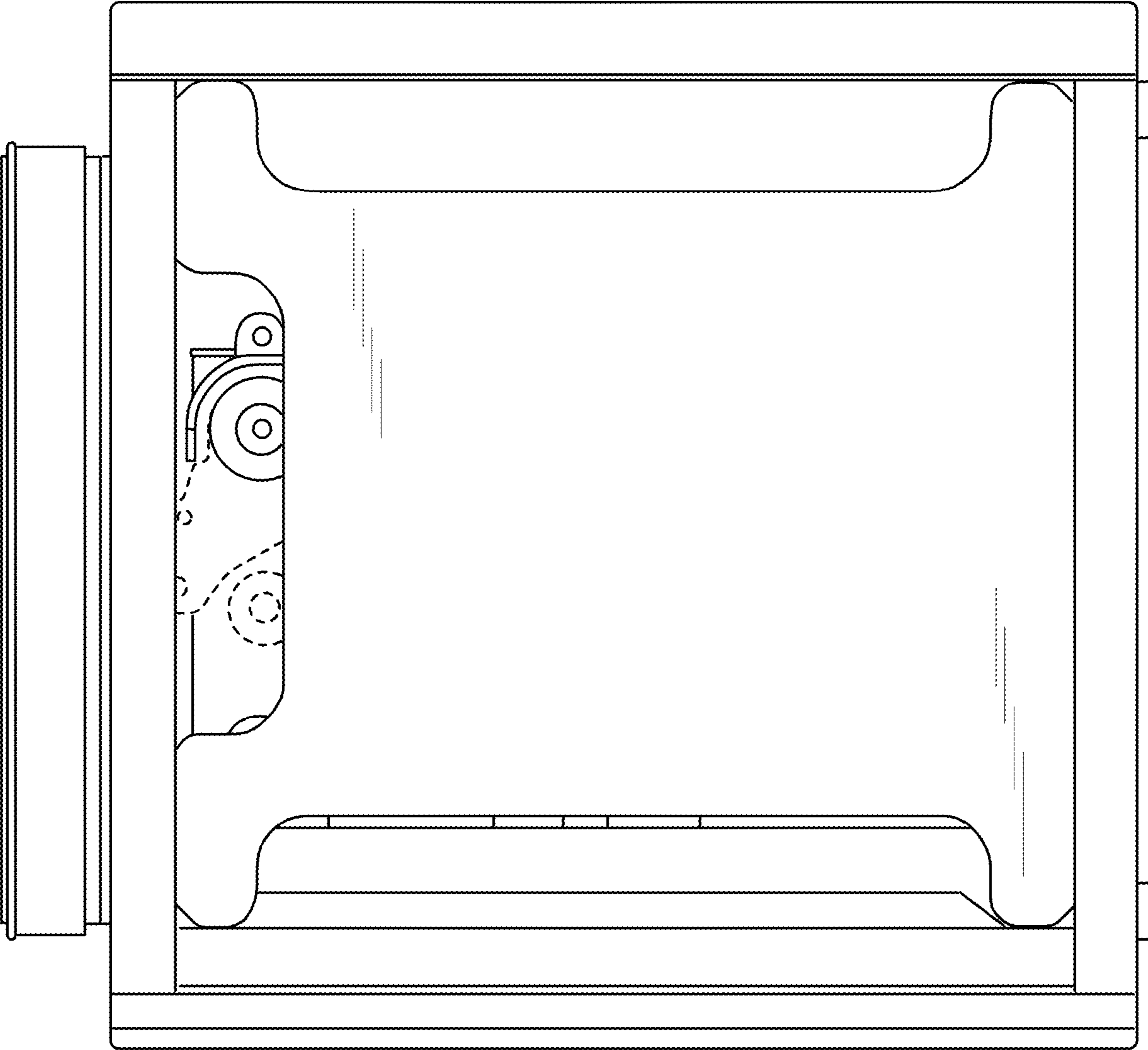


FIG. 7



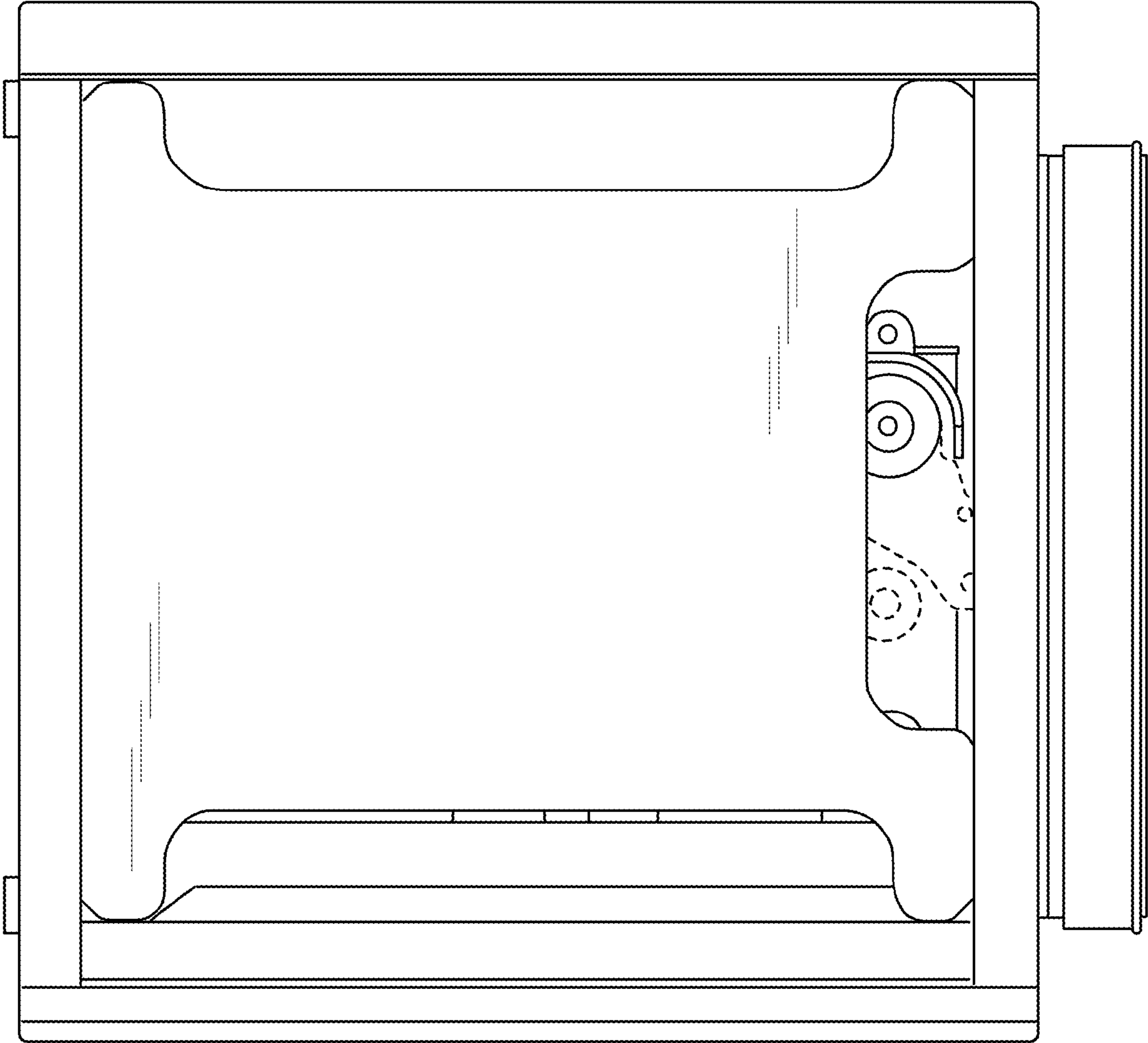


FIG. 8