



US00D946674S

(12) **United States Design Patent**
Behar et al.

(10) **Patent No.:** **US D946,674 S**
(45) **Date of Patent:** **** *Mar. 22, 2022**

(54) **EXERCISE DEVICE**

(71) Applicant: **Interactive Strength, Inc.**, Carson City, NV (US)
(72) Inventors: **Yves Albert Behar**, San Francisco, CA (US); **Trent Ward**, West Hollywood, CA (US); **William Stuart**, San Francisco, CA (US); **Andrea Locatelli**, Milan (IT); **Jón Reyr Jóhannesson**, San Francisco, CA (US); **Roland Jeffrey Wyatt**, Bozeman, MT (US)

(73) Assignee: **Interactive Strength, Inc.**, Carson City, NV (US)

(*) Notice: This patent is subject to a terminal disclaimer.

(**) Term: **15 Years**

(21) Appl. No.: **29/723,750**

(22) Filed: **Feb. 10, 2020**

(51) **LOC (13) Cl.** **21-02**

(52) **U.S. Cl.**
USPC **D21/673**

(58) **Field of Classification Search**
USPC 482/99, 100, 139, 94, 140, 8, 93, 95, 79, 482/103; D21/694, 673, 675, 676, 686, D21/690
CPC A63B 21/0628; A63B 21/4047; A63B 21/4035; A63B 2208/0233; A63B 23/03525; A63B 21/154; A63B 23/03533;
(Continued)

(56) **References Cited**

U.S. PATENT DOCUMENTS

6,296,594 B1 * 10/2001 Simonson A63B 21/154 482/102
7,172,538 B2 * 2/2007 Keiser A63B 21/0087 482/140

(Continued)

OTHER PUBLICATIONS

Tonal by Tonal dated no date given. Found online [Jul. 14, 2021] <https://www.tonal.com/equipment/>.*

(Continued)

Primary Examiner — Ryan Harvey

(74) *Attorney, Agent, or Firm* — David R. Stevens; Stevens Law Group

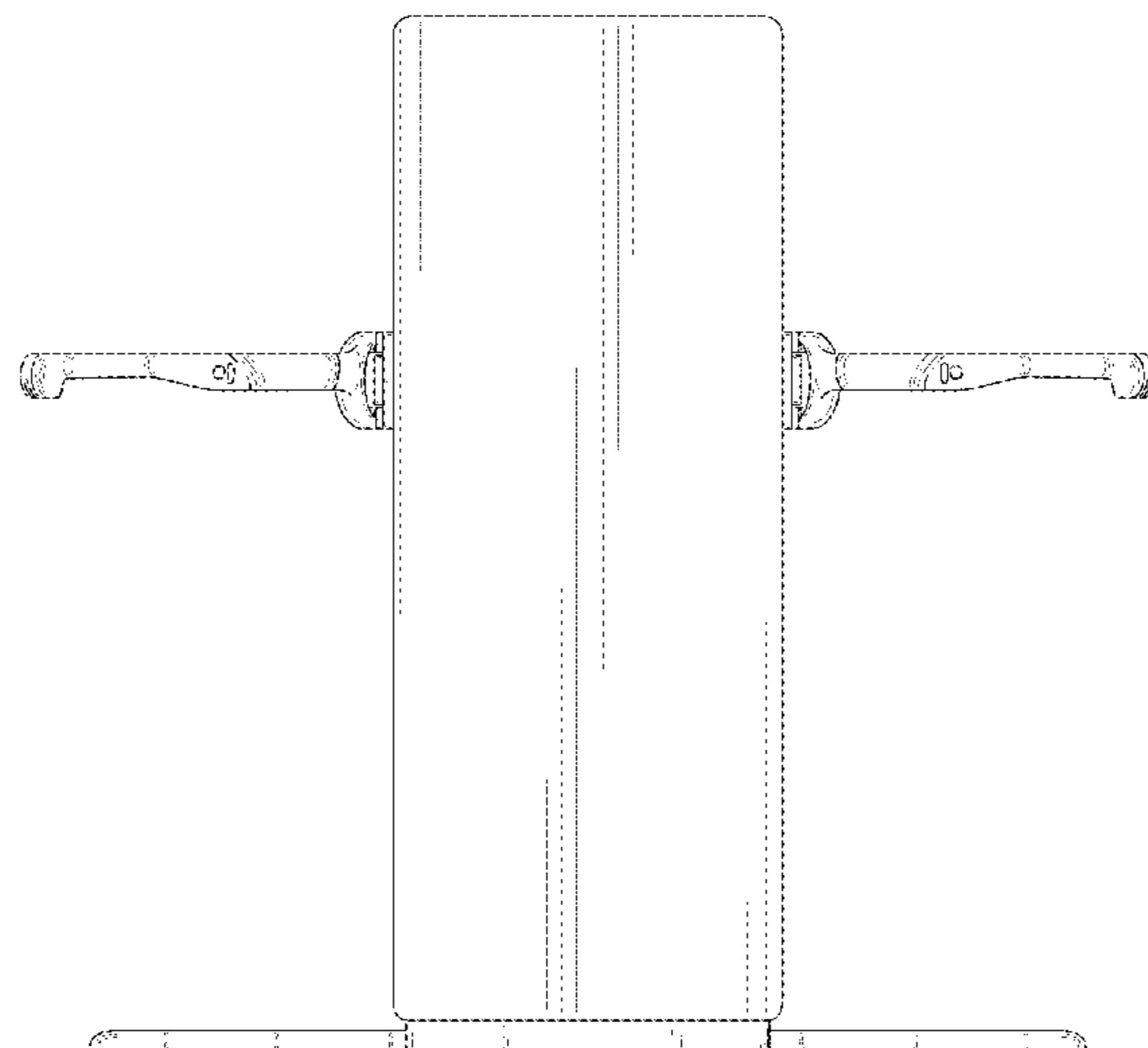
(57) **CLAIM**

The ornamental design for an exercise device, as shown and described.

DESCRIPTION

FIG. 1 is a front view of an exercise device.
FIG. 2 is a rear view of the exercise device of FIG. 1.
FIG. 3 is a left side view of the exercise device of FIG. 1.
FIG. 4 is a right side view of the exercise device of FIG. 1.
FIG. 5 is a top view of the exercise device of FIG. 1.
FIG. 6 is a bottom view of the exercise device of FIG. 1.
FIG. 7 is an isometric view of the exercise device of FIG. 1.
FIG. 8 is a front view of another exercise device.
FIG. 9 is a rear view of the exercise device of FIG. 8.
FIG. 10 is a left side view of the exercise device of FIG. 8.
FIG. 11 is a right side view of the exercise device of FIG. 8.
FIG. 12 is a top view of the exercise device of FIG. 8.
FIG. 13 is a bottom view of the exercise device of FIG. 8;
and,
FIG. 14 is an isometric view of the exercise device of FIG. 8.
In the illustrated design of FIGS. 1 through 7, the dash-dot-dot-dash lines represent a boundary between a first appearance and a contrasting appearance.

1 Claim, 14 Drawing Sheets



(58) **Field of Classification Search**
 CPC .. A63B 23/12; A63B 21/4029; A63B 2210/50
 See application file for complete search history.

(56) **References Cited**

U.S. PATENT DOCUMENTS

D586,410	S *	2/2009	Citterio	D21/673
7,601,105	B1 *	10/2009	Gipson, III	A63B 21/055 482/103
D612,437	S *	3/2010	Fenster	D21/694
7,909,742	B2 *	3/2011	Ish, III	A63B 21/0628 482/97
8,096,926	B1 *	1/2012	Batca	A63B 21/0628 482/99
D679,764	S *	4/2013	Alessandri	D21/675
8,500,607	B2 *	8/2013	Vittone	A63B 21/151 482/93
8,506,459	B2 *	8/2013	Cassidy	A63B 23/0355 482/94
8,550,964	B2 *	10/2013	Ish, III	A63B 21/4015 482/95
D692,971	S *	11/2013	Alessandri	D21/694
D692,972	S *	11/2013	Alessandri	D21/694
D708,274	S *	7/2014	Eder	D21/673
9,162,102	B1 *	10/2015	Eder	E05C 1/06
D746,925	S *	1/2016	Firth	D21/686
9,656,116	B2 *	5/2017	Giannelli	A63B 21/063
9,669,261	B2 *	6/2017	Eder	G06F 16/951
D807,445	S *	1/2018	Gettle	D21/686
10,500,442	B2 *	12/2019	Hong	A63B 21/018
10,918,899	B2 *	2/2021	Gisin	A63B 21/4045
D912,168	S *	3/2021	Orady	D21/673
10,940,364	B2 *	3/2021	Eder	G16H 30/20

10,987,565	B2 *	4/2021	Orady	A63B 24/0087
D921,132	S *	6/2021	Orady	D21/673
2002/0013200	A1 *	1/2002	Sechrest	A63B 21/0628 482/98
2002/0039954	A1 *	4/2002	Simonson	A63B 21/0628 482/99
2003/0017918	A1 *	1/2003	Webb	A63B 21/0628 482/94
2003/0045406	A1 *	3/2003	Stone	A63B 21/154 482/100
2003/0176261	A1 *	9/2003	Simonson	A63B 21/4035 482/103
2007/0173384	A1 *	7/2007	Sechrest	A63B 21/154 482/99
2008/0300116	A1 *	12/2008	Eder	A63B 21/156 482/100
2009/0170675	A1 *	7/2009	Giannelli	A63B 21/154 482/139
2013/0157816	A1 *	6/2013	Lyszczarz	A63B 21/0628 482/99
2015/0182773	A1 *	7/2015	Olson	A63B 24/0087 482/8
2017/0246507	A1 *	8/2017	Kennington	A63B 23/1209
2017/0319941	A1 *	11/2017	Smith	A63B 21/153
2018/0243600	A1 *	8/2018	Kennington	A63B 21/156
2020/0047027	A1 *	2/2020	Ward	A63B 24/0021
2020/0047031	A1 *	2/2020	Orady	G16H 40/63
2020/0139187	A1 *	5/2020	Kennington	A63B 23/12

OTHER PUBLICATIONS

Forme by Forme dated no date given. Found online [Jul. 14, 2021]
<https://formelife.com/the-tech>.*

* cited by examiner

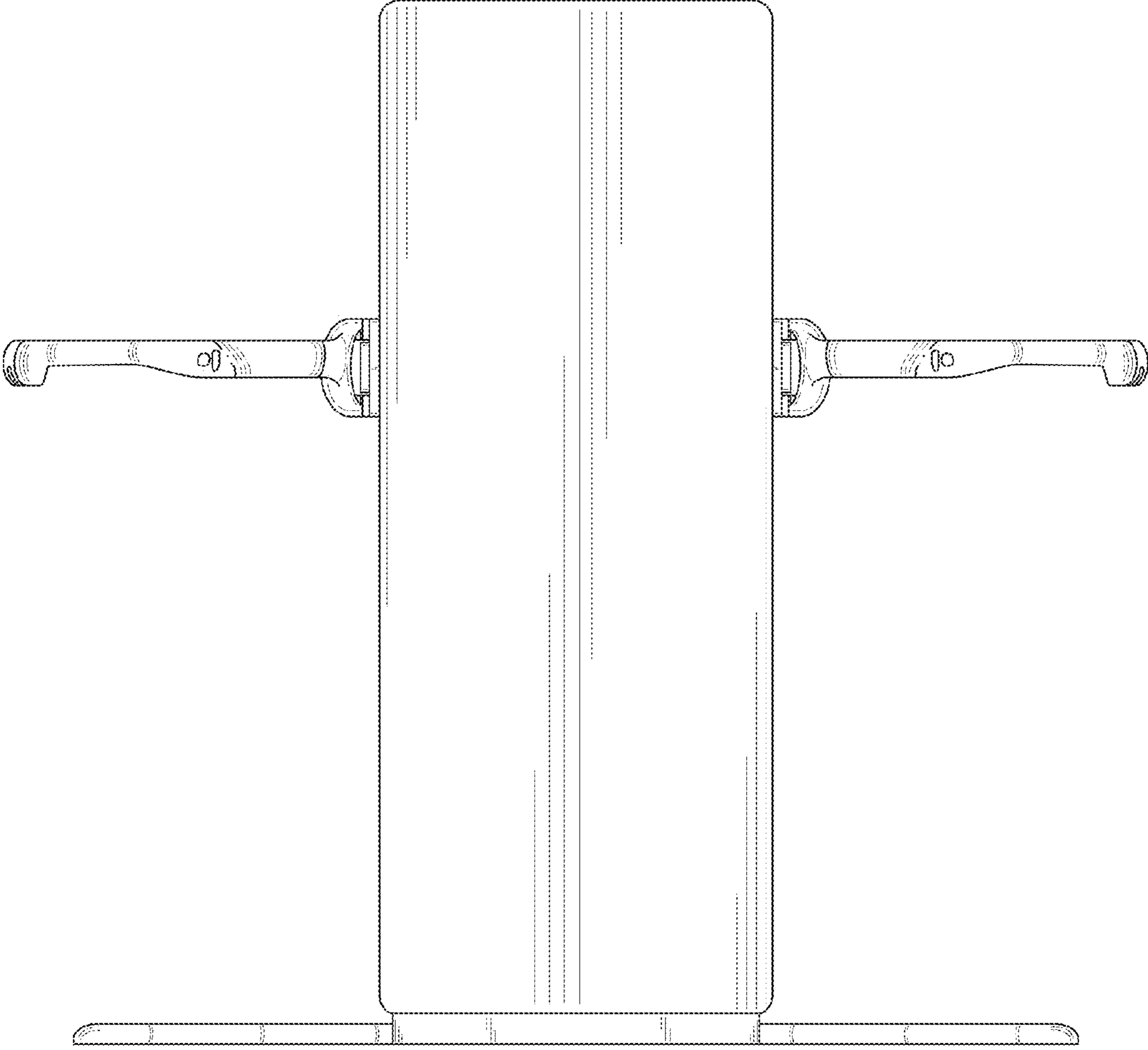


FIG. 1

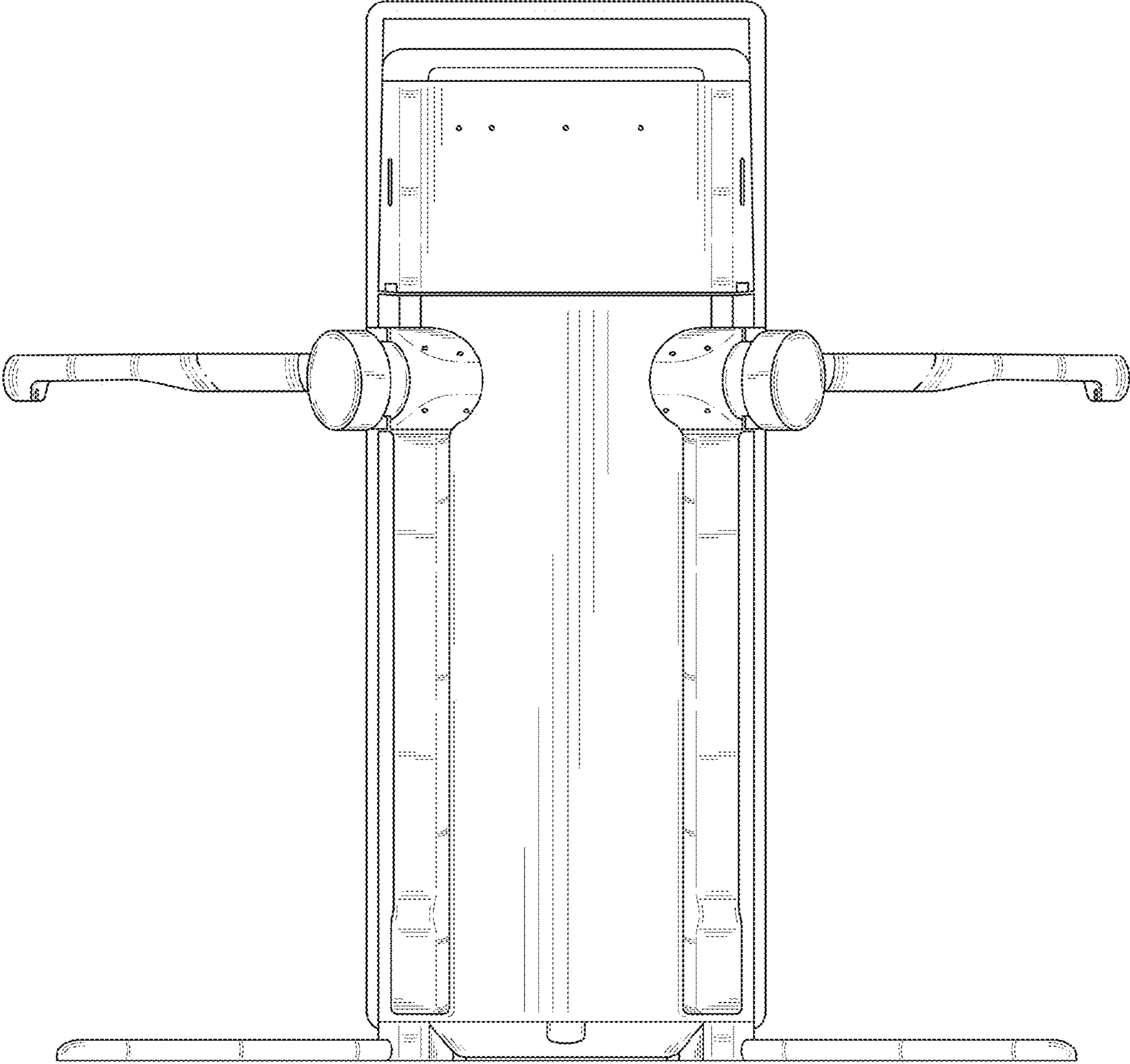


FIG. 2

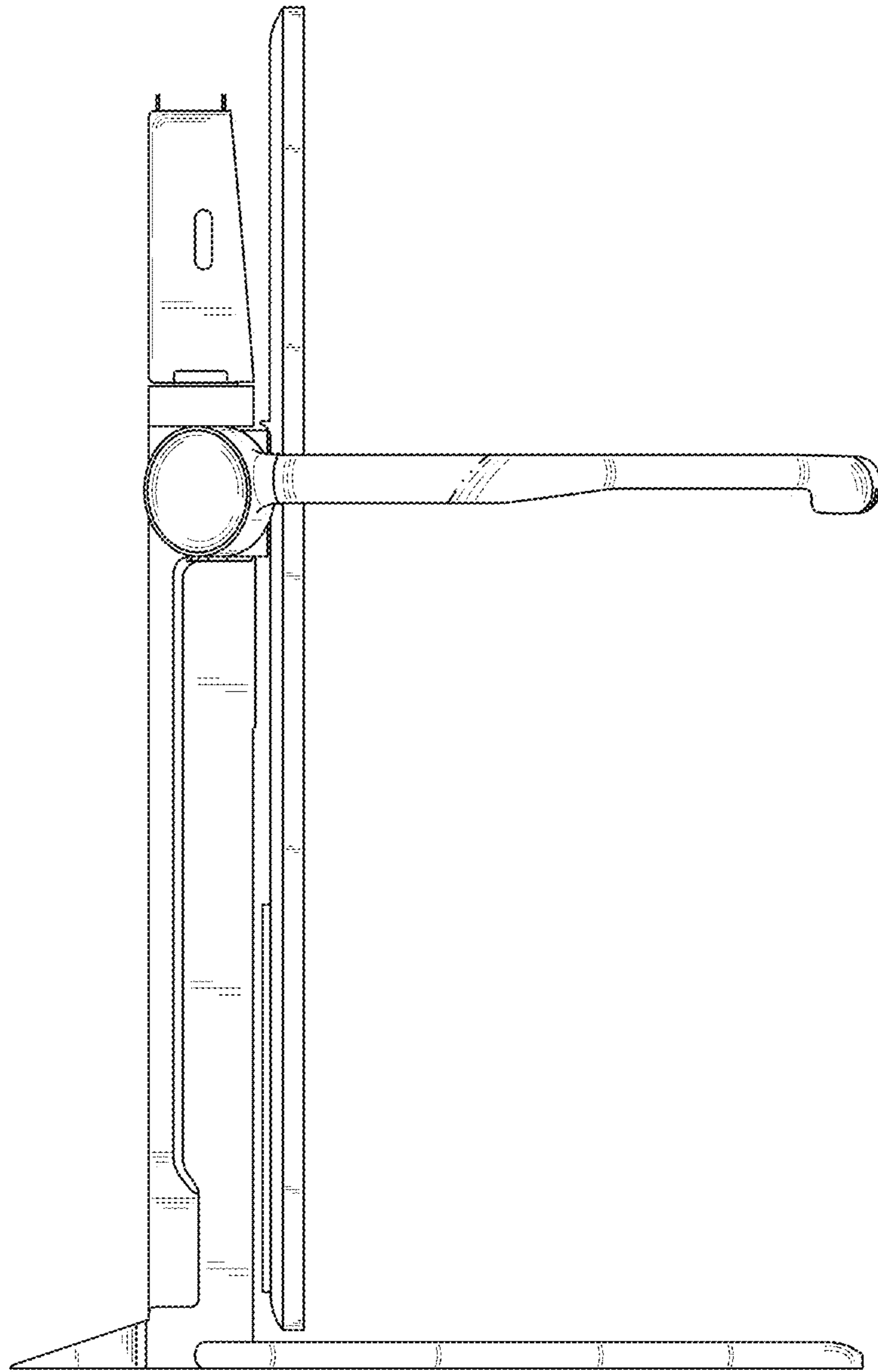


FIG. 3

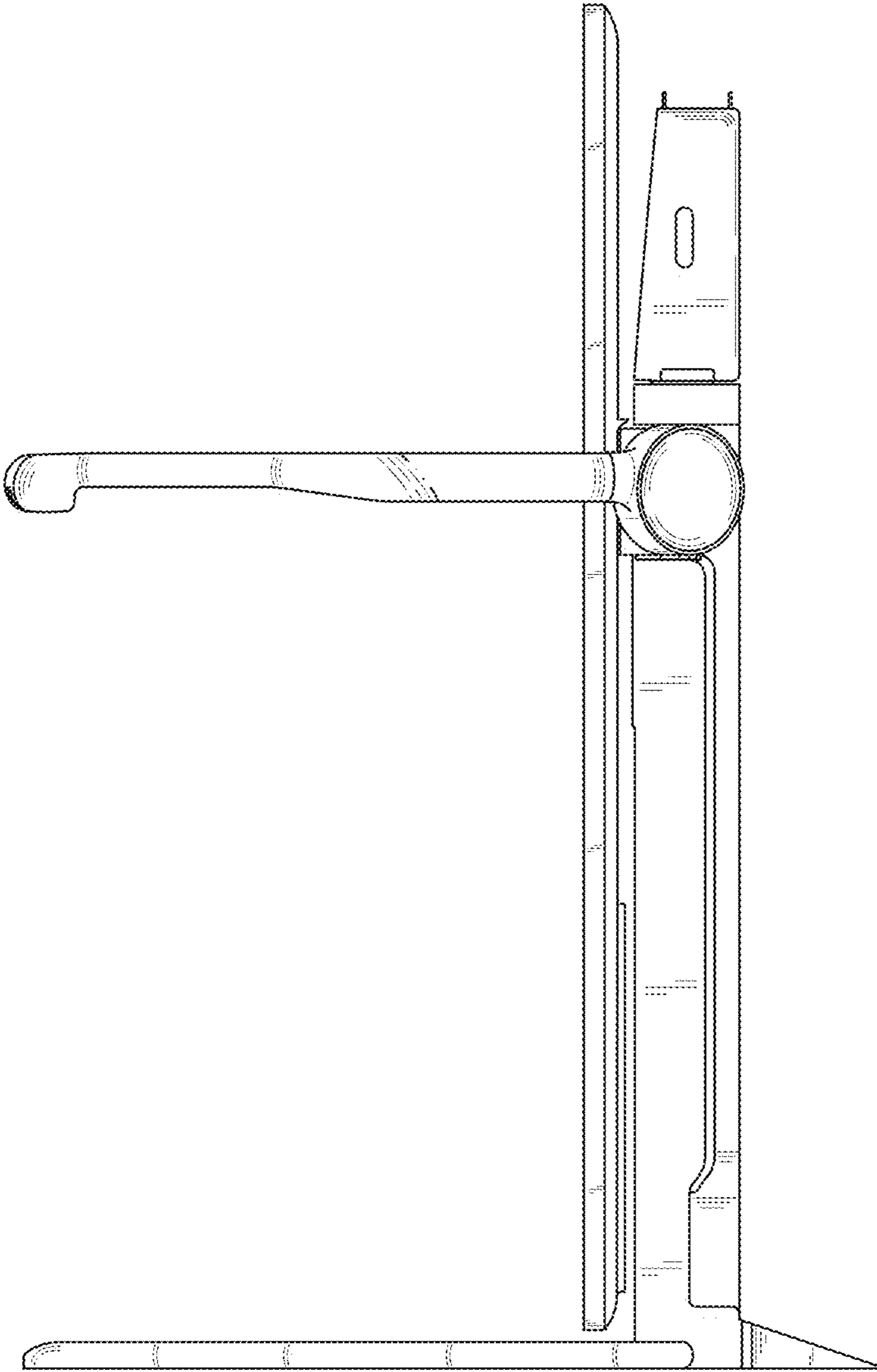


FIG. 4

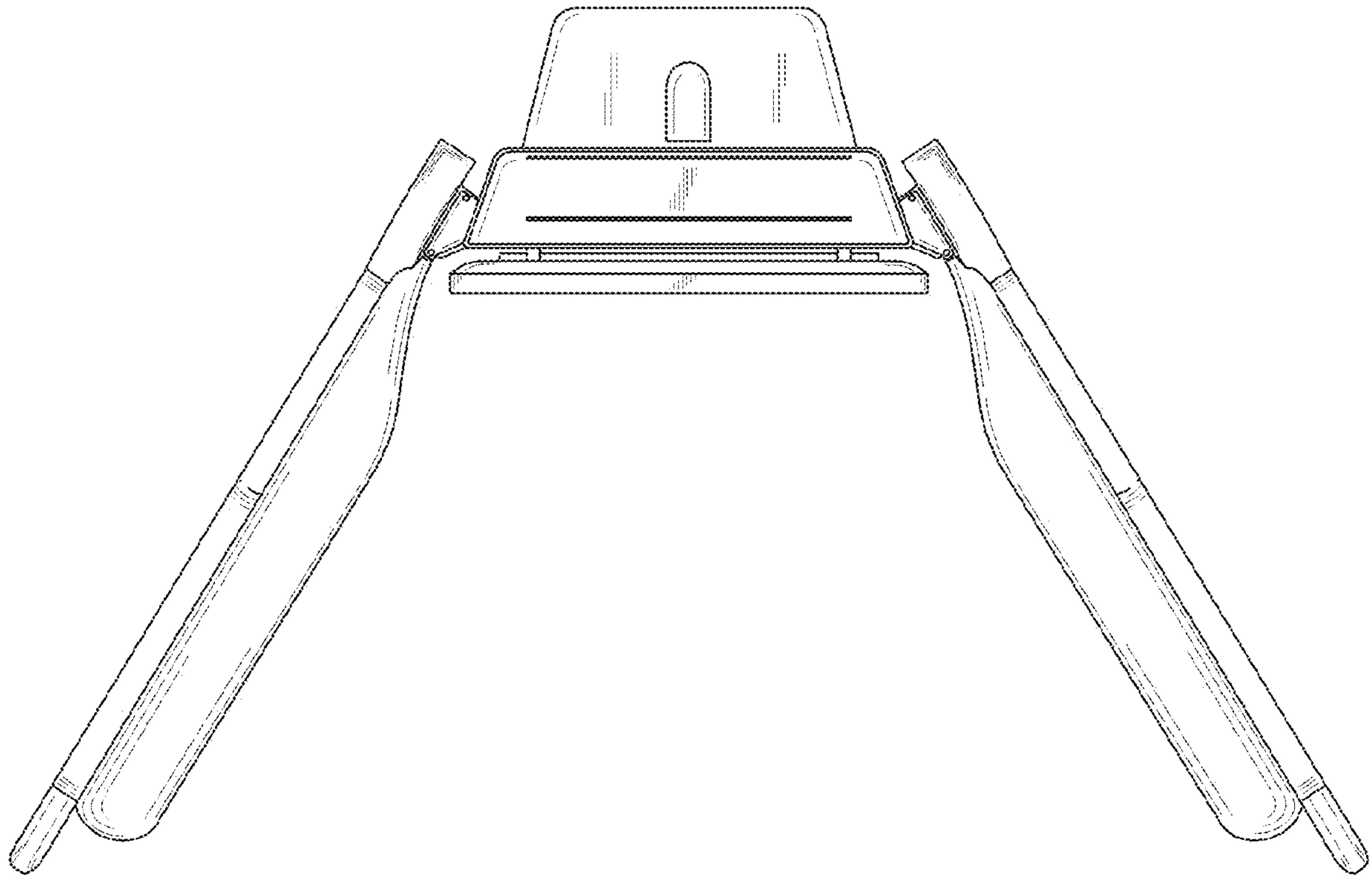


FIG. 5

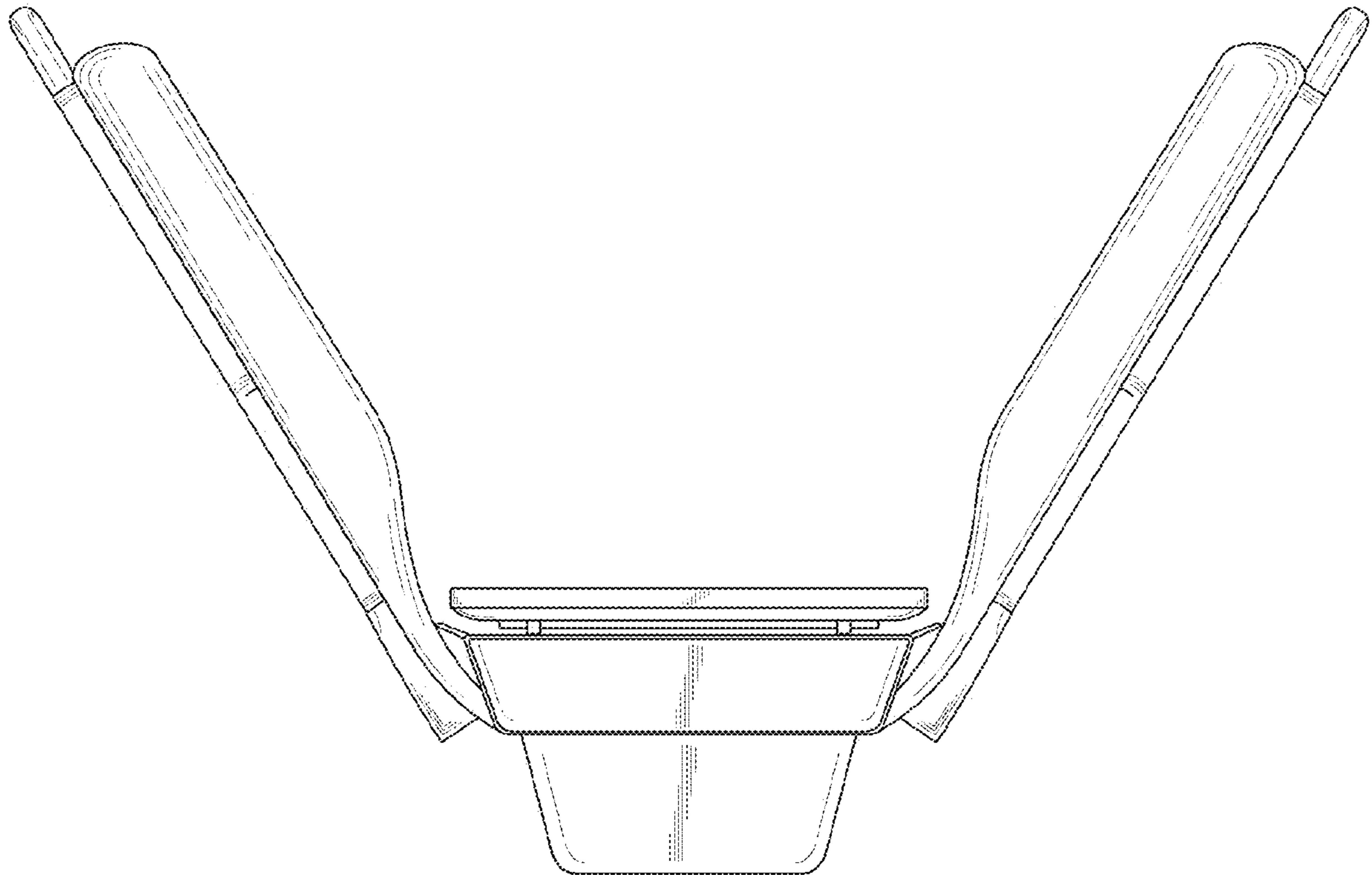


FIG. 6

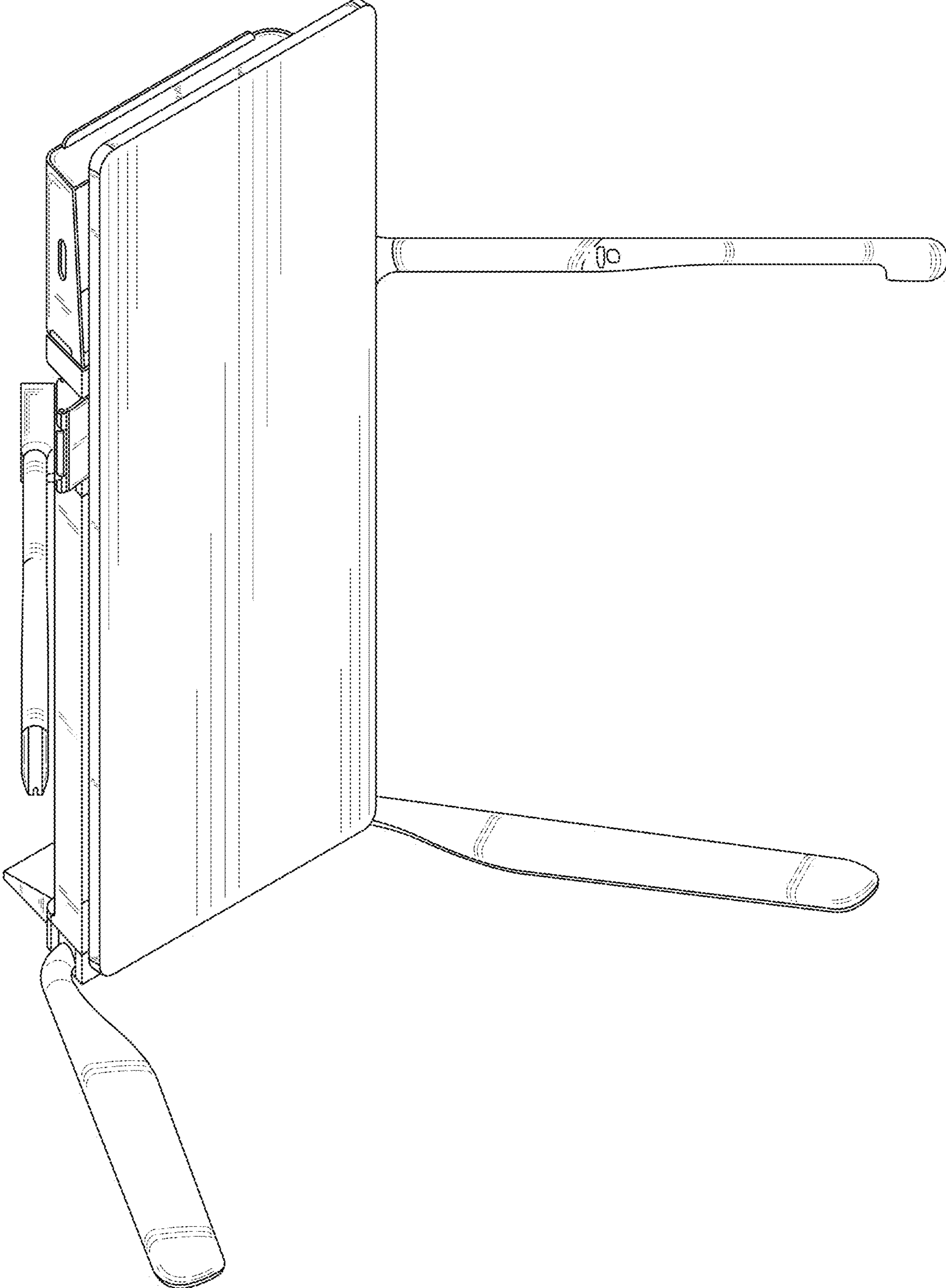


FIG. 7

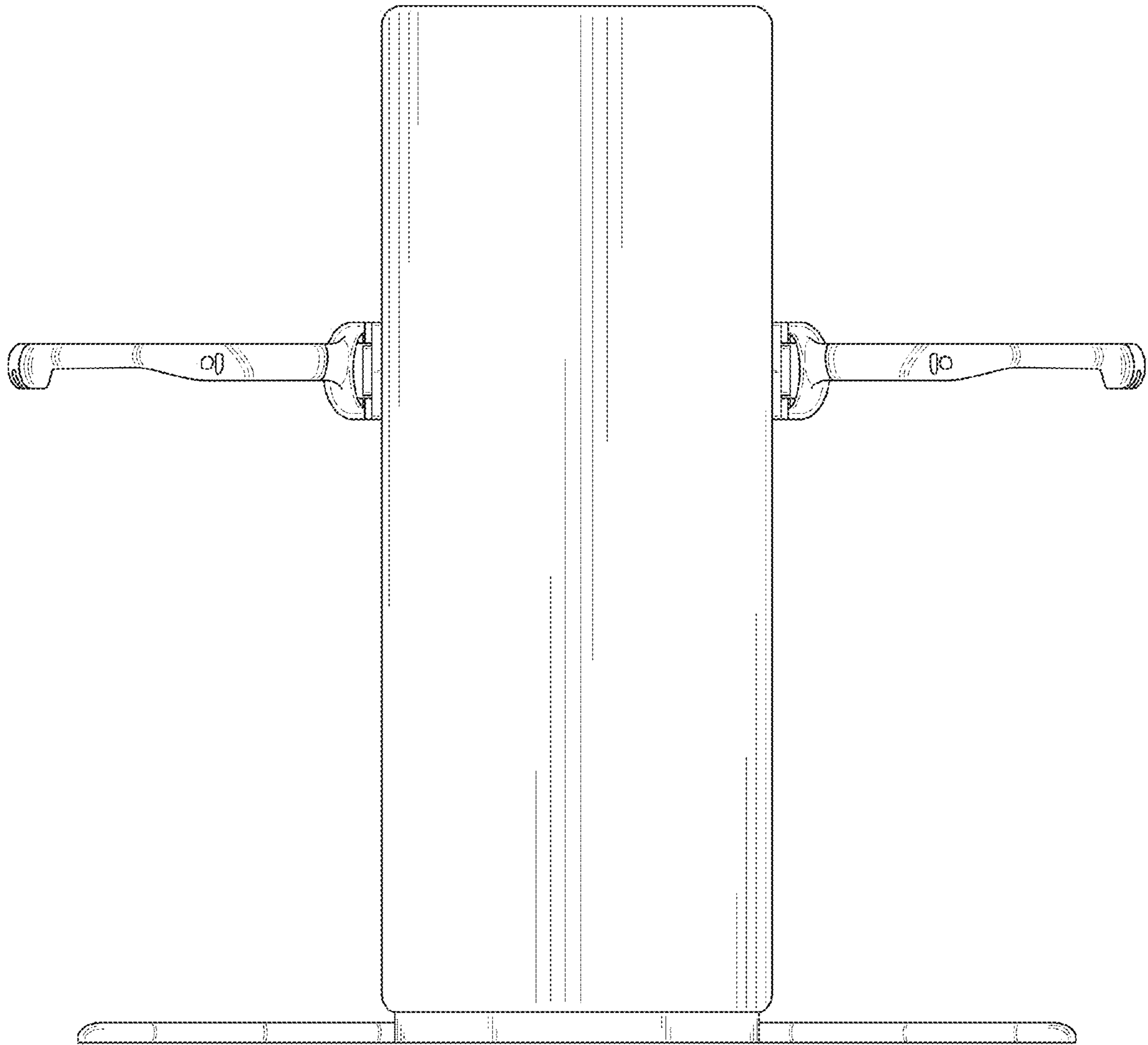


FIG. 8

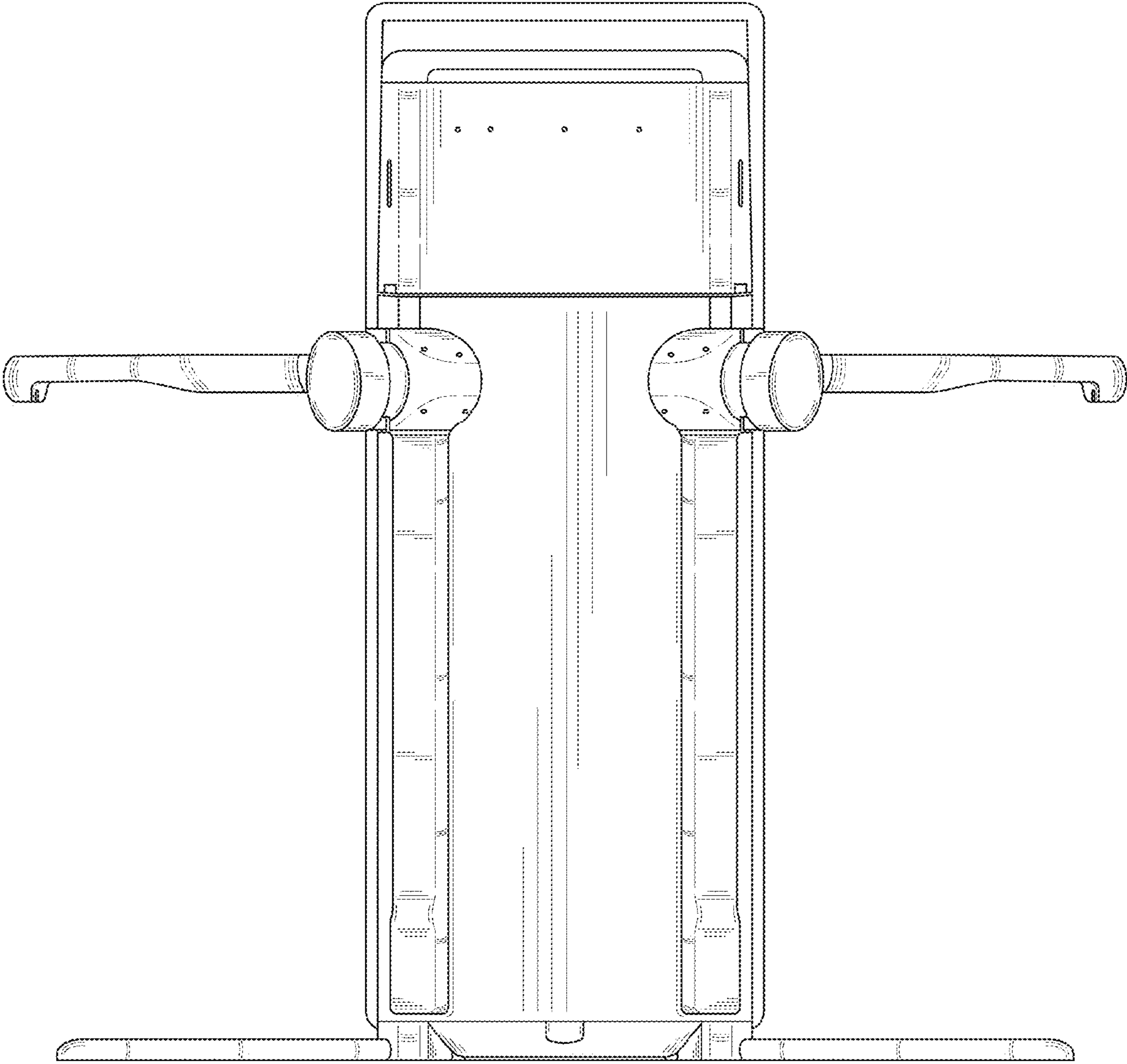


FIG. 9

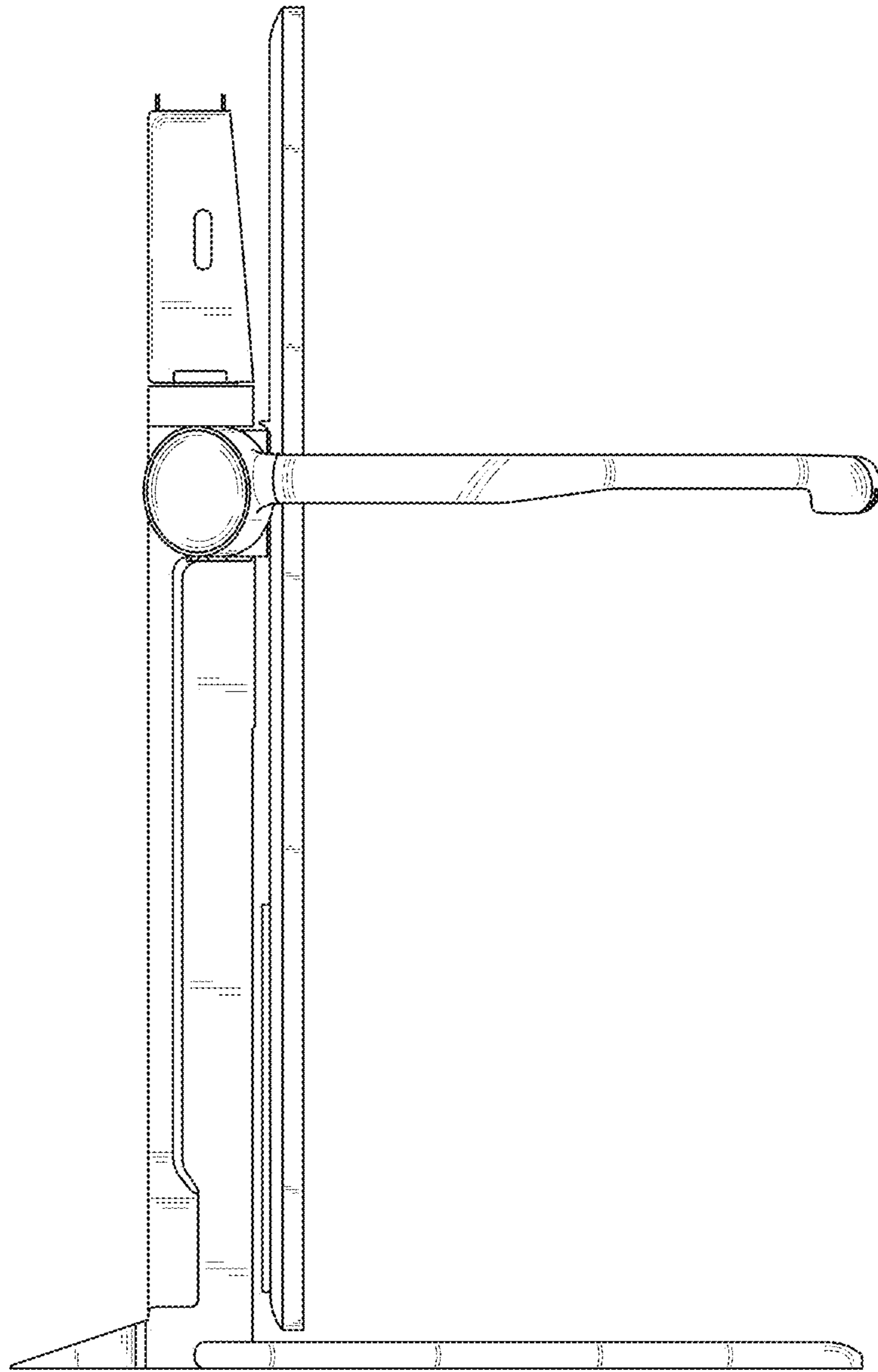


FIG. 10

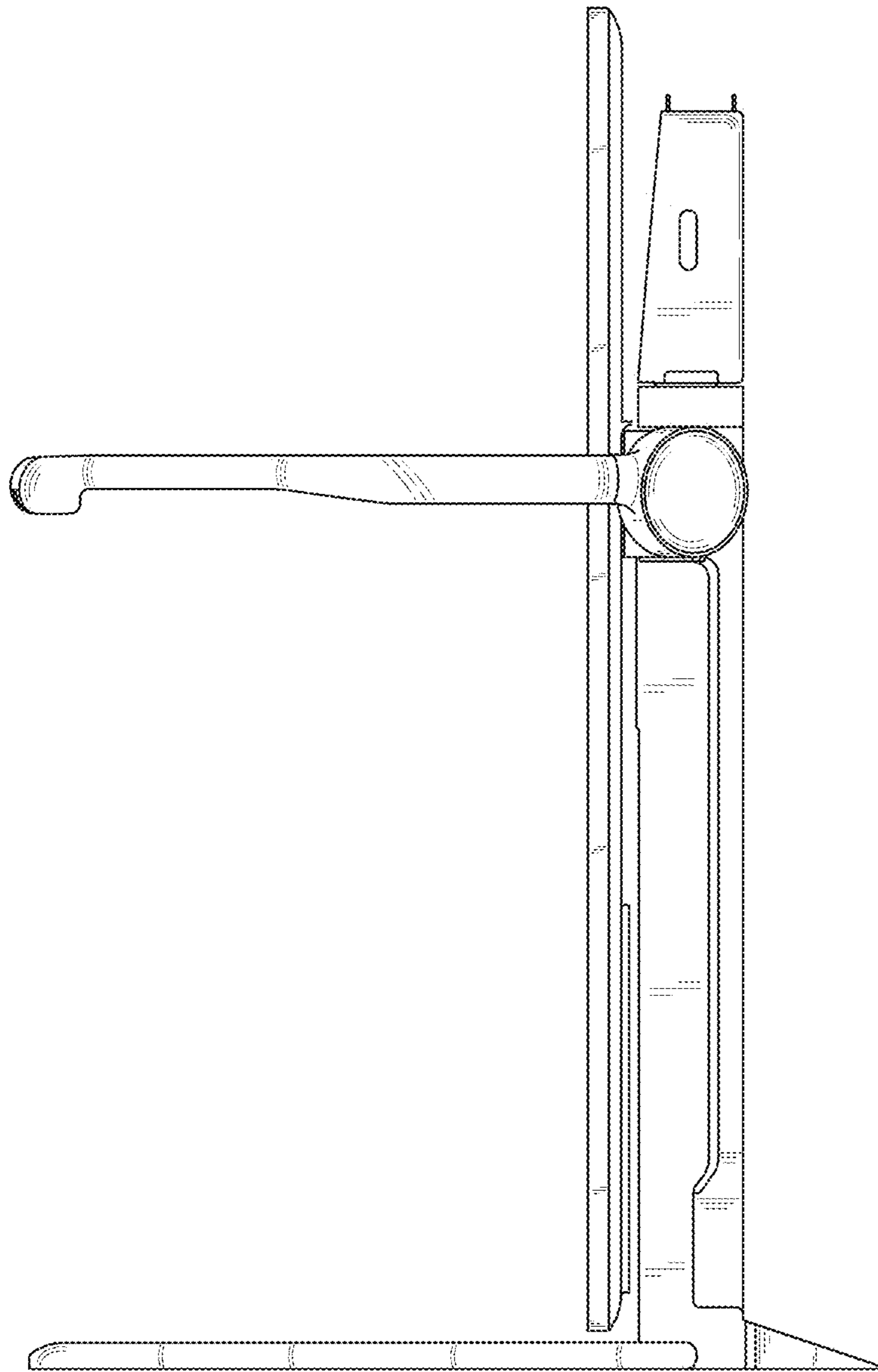


FIG. 11

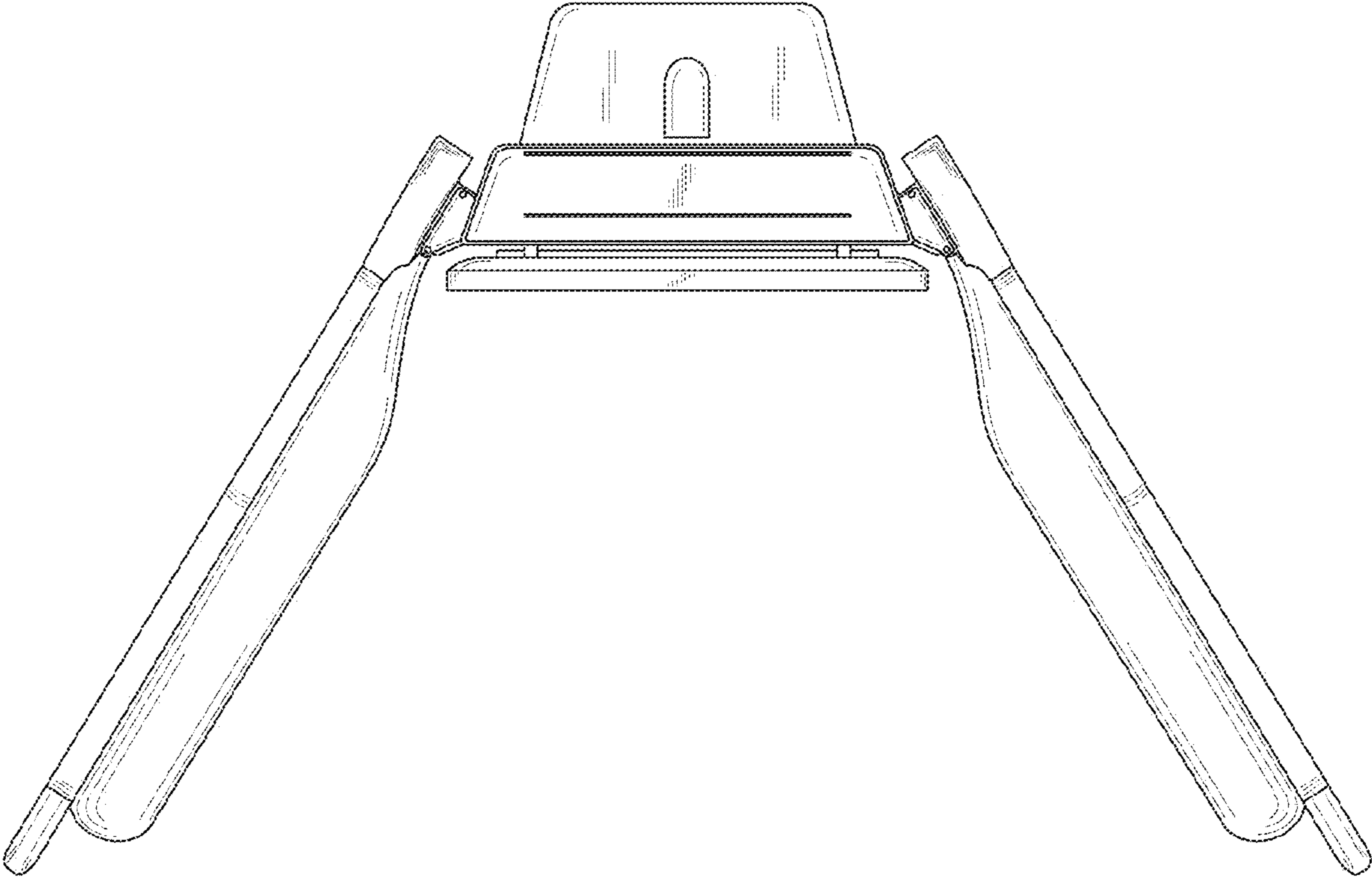


FIG. 12

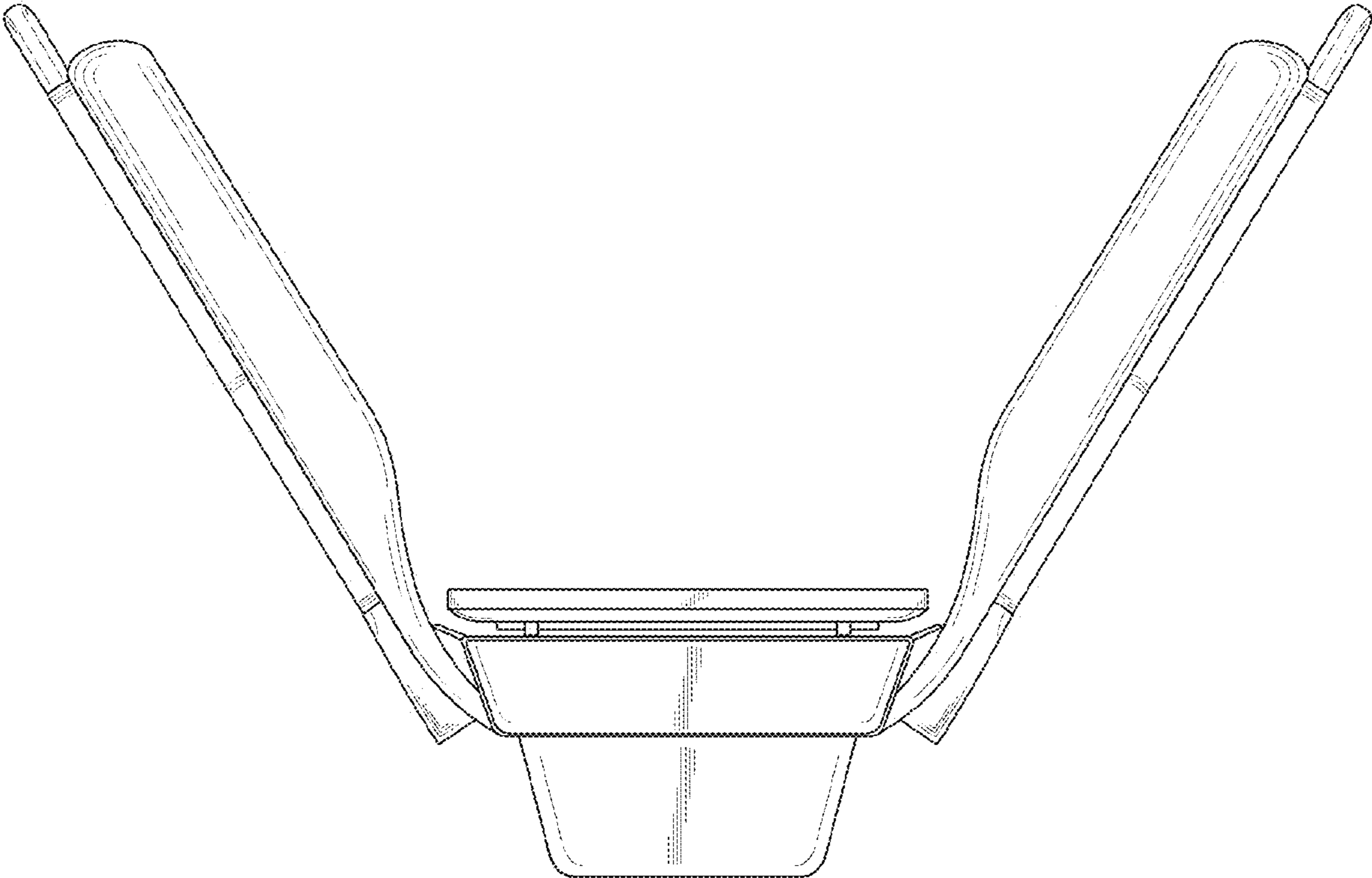


FIG. 13

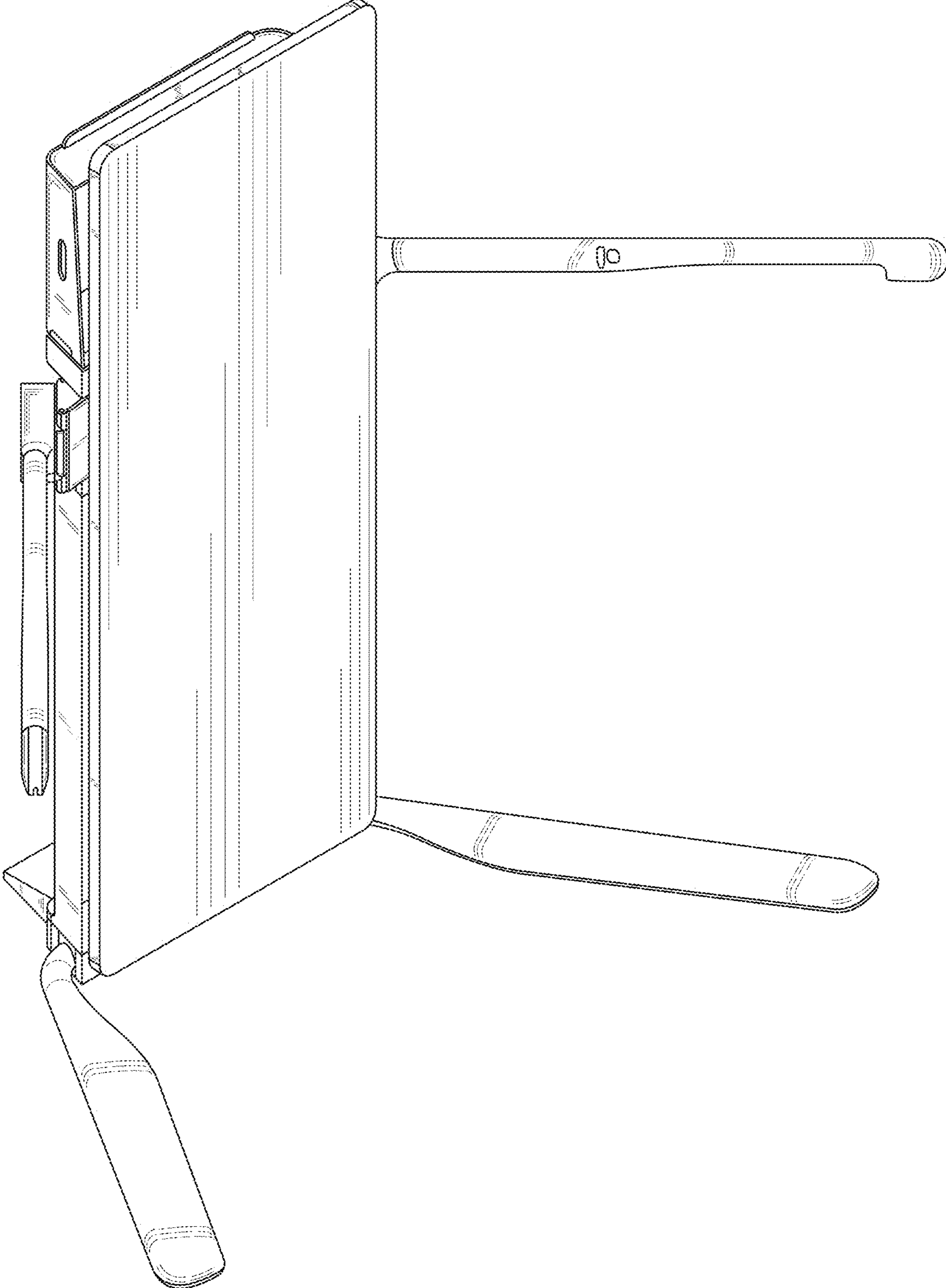


FIG. 14