



US00D946673S

(12) **United States Design Patent** (10) **Patent No.:** **US D946,673 S**
Behar et al. (45) **Date of Patent:** **** *Mar. 22, 2022**

(54) **EXERCISE DEVICE**

(71) Applicant: **Interactive Strength, Inc.**, Carson City, NV (US)
(72) Inventors: **Yves Albert Behar**, San Francisco, CA (US); **Trent Ward**, West Hollywood, CA (US); **William Stuart**, San Francisco, CA (US); **Andrea Locatelli**, Milan (IT); **Jón Reyr Jóhannesson**, San Francisco, CA (US); **Roland Jeffrey Wyatt**, Bozeman, MT (US)

(73) Assignee: **Interactive Strength, Inc.**, Carson City, NV (US)

(*) Notice: This patent is subject to a terminal disclaimer.

(**) Term: **15 Years**

(21) Appl. No.: **29/723,741**

(22) Filed: **Feb. 10, 2020**

(51) **LOC (13) Cl.** **21-02**

(52) **U.S. Cl.**
USPC **D21/673**

(58) **Field of Classification Search**
USPC 482/99, 100, 139, 94, 140, 8, 93, 95, 79, 482/103; D21/694, 673, 675, 676, 686, D21/690
CPC A63B 21/0628; A63B 21/4047; A63B 21/4035; A63B 2208/0233; A63B 23/03525; A63B 21/154; A63B 23/03533;
(Continued)

(56) **References Cited**

U.S. PATENT DOCUMENTS

6,296,594 B1 * 10/2001 Simonson A63B 21/154 482/102
7,172,538 B2 * 2/2007 Keiser A63B 21/0087 482/140

(Continued)

OTHER PUBLICATIONS

Tonal by Tonal dated no date given. Found online [Jul. 14, 2021] <https://www.tonal.com/equipment/>.*

(Continued)

Primary Examiner — Ryan Harvey

(74) *Attorney, Agent, or Firm* — David R. Stevens; Stevens Law Group

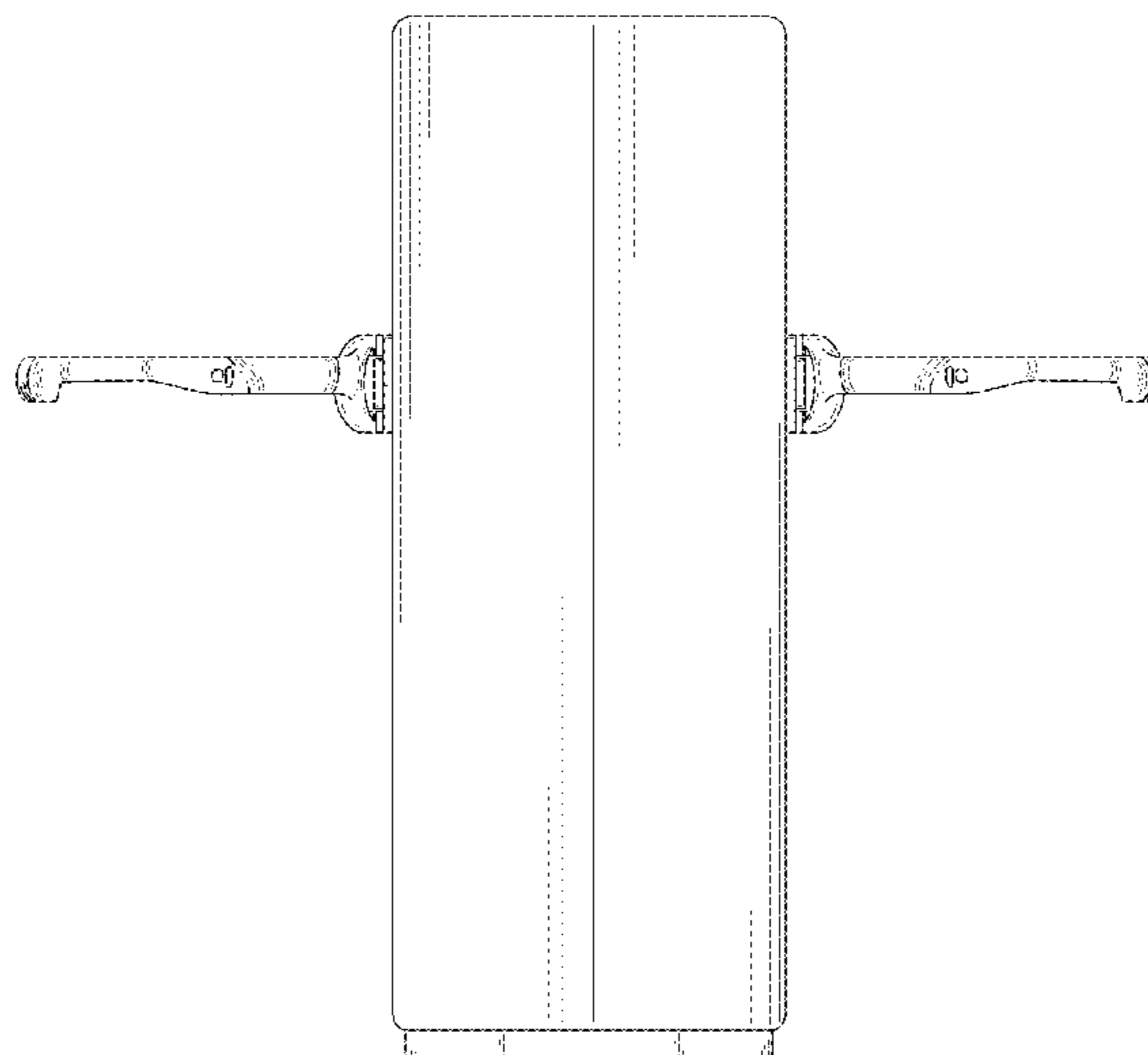
(57) **CLAIM**

The ornamental design for an exercise device, as shown and described.

DESCRIPTION

FIG. 1 is a front view of an exercise device.
FIG. 2 is a rear view of the exercise device of FIG. 1.
FIG. 3 is a left side view of the exercise device of FIG. 1.
FIG. 4 is a right side view of the exercise device of FIG. 1.
FIG. 5 is a top view of the exercise device of FIG. 1.
FIG. 6 is a bottom view of the exercise device of FIG. 1.
FIG. 7 is an isometric view of the exercise device of FIG. 1.
FIG. 8 is a front view of another exercise device.
FIG. 9 is a rear view of the exercise device of FIG. 8.
FIG. 10 is a left side view of the exercise device of FIG. 8.
FIG. 11 is a right side view of the exercise device of FIG. 8.
FIG. 12 is a top view of the exercise device of FIG. 8.
FIG. 13 is a bottom view of the exercise device of FIG. 8;
and,
FIG. 14 is an isometric view of the exercise device of FIG. 8.
In the illustrated design of FIGS. 1 through 7, the dash-dot-dot-dash lines represent a boundary between a first appearance and a contrasting appearance.

1 Claim, 14 Drawing Sheets



(58) **Field of Classification Search**
 CPC .. A63B 23/12; A63B 21/4029; A63B 2210/50
 See application file for complete search history.

(56) **References Cited**

U.S. PATENT DOCUMENTS

D586,410 S * 2/2009 Citterio D21/673
 7,601,105 B1 * 10/2009 Gipson, III A63B 21/055
 482/103
 D612,437 S * 3/2010 Fenster D21/694
 7,909,742 B2 * 3/2011 Ish, III A63B 21/0628
 482/97
 8,096,926 B1 * 1/2012 Batca A63B 21/0628
 482/99
 D679,764 S * 4/2013 Alessandri D21/675
 8,500,607 B2 * 8/2013 Vittone A63B 21/151
 482/93
 8,506,459 B2 * 8/2013 Cassidy A63B 23/0355
 482/94
 8,550,964 B2 * 10/2013 Ish, III A63B 21/4015
 482/95
 D692,971 S * 11/2013 Alessandri D21/694
 D692,972 S * 11/2013 Alessandri D21/694
 D708,274 S * 7/2014 Eder D21/673
 9,162,102 B1 * 10/2015 Eder E05C 1/06
 D746,925 S * 1/2016 Firth D21/686
 9,656,116 B2 * 5/2017 Giannelli A63B 21/063
 9,669,261 B2 * 6/2017 Eder G06F 16/951
 D807,445 S * 1/2018 Gettle D21/686
 10,500,442 B2 * 12/2019 Hong A63B 21/018
 10,918,899 B2 * 2/2021 Gisin A63B 21/4045
 D912,168 S * 3/2021 Orady D21/673
 10,940,364 B2 * 3/2021 Eder G16H 30/20

10,987,565 B2 * 4/2021 Orady A63B 24/0087
 D921,132 S * 6/2021 Orady D21/673
 2002/0013200 A1 * 1/2002 Sechrest A63B 21/0628
 482/98
 2002/0039954 A1 * 4/2002 Simonson A63B 21/0628
 482/99
 2003/0017918 A1 * 1/2003 Webb A63B 21/0628
 482/94
 2003/0045406 A1 * 3/2003 Stone A63B 21/154
 482/100
 2003/0176261 A1 * 9/2003 Simonson A63B 21/4035
 482/103
 2007/0173384 A1 * 7/2007 Sechrest A63B 21/154
 482/99
 2008/0300116 A1 * 12/2008 Eder A63B 21/156
 482/100
 2009/0170675 A1 * 7/2009 Giannelli A63B 21/154
 482/139
 2013/0157816 A1 * 6/2013 Lyszczarz A63B 21/0628
 482/99
 2015/0182773 A1 * 7/2015 Olson A63B 24/0087
 482/8
 2017/0246507 A1 * 8/2017 Kennington A63B 23/1209
 2017/0319941 A1 * 11/2017 Smith A63B 21/153
 2018/0243600 A1 * 8/2018 Kennington A63B 21/156
 2020/0047027 A1 * 2/2020 Ward A63B 24/0021
 2020/0047031 A1 * 2/2020 Orady G16H 40/63
 2020/0139187 A1 * 5/2020 Kennington A63B 23/12

OTHER PUBLICATIONS

Forme by Forme dated no date given. Found online [Jul. 14, 2021]
<https://formelife.com/the-tech>.*

* cited by examiner

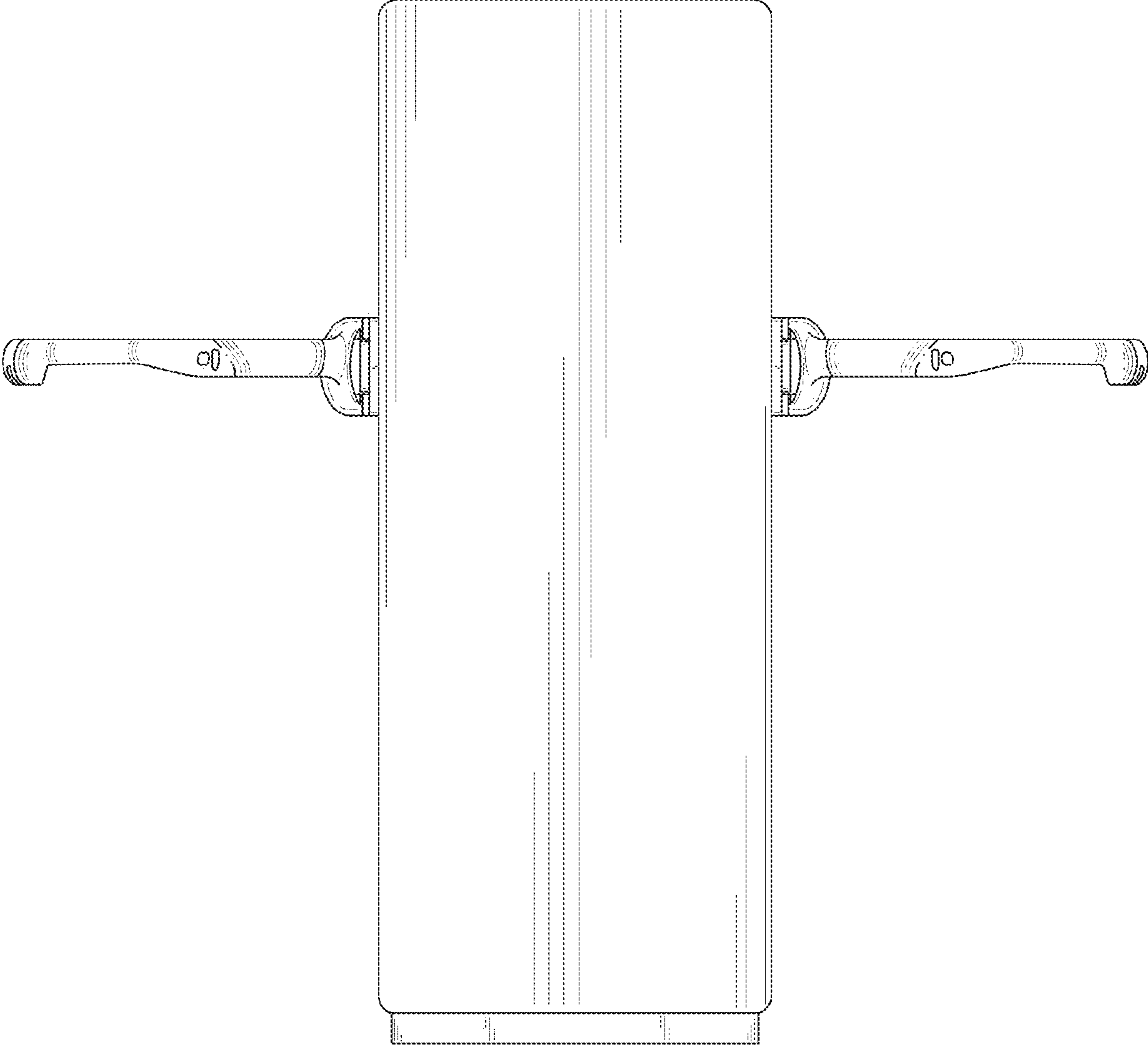


FIG. 1

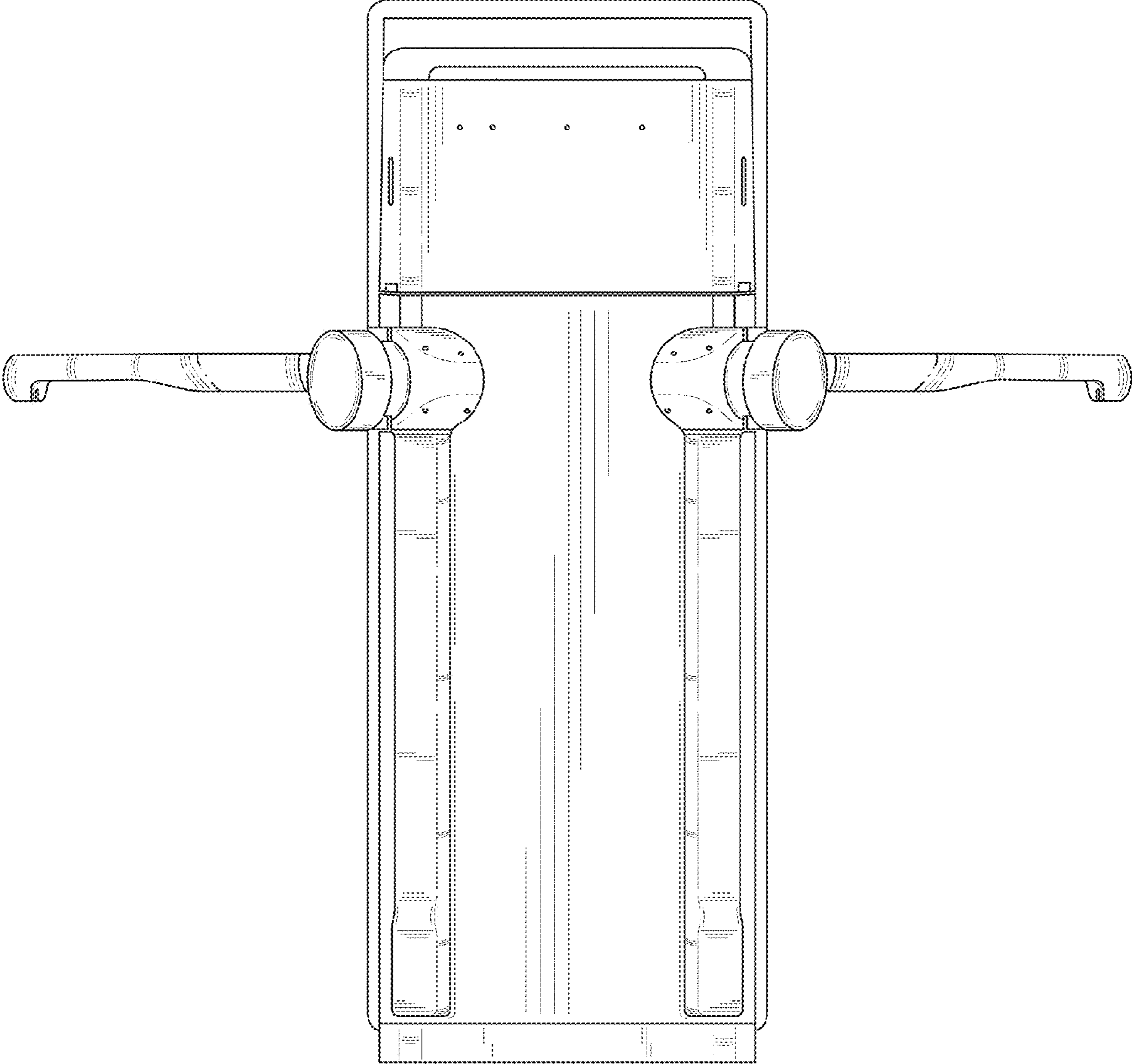


FIG. 2

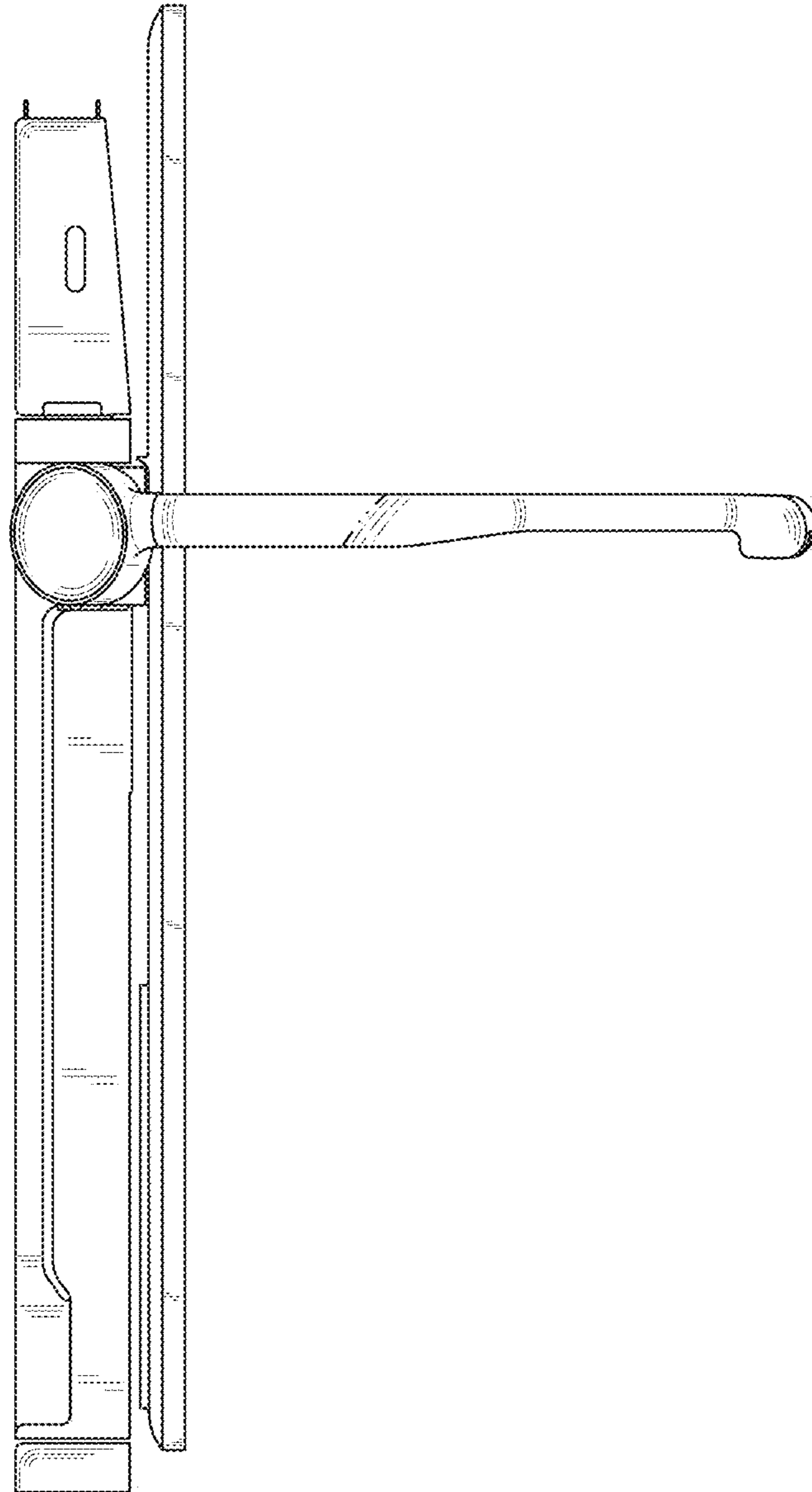


FIG. 3

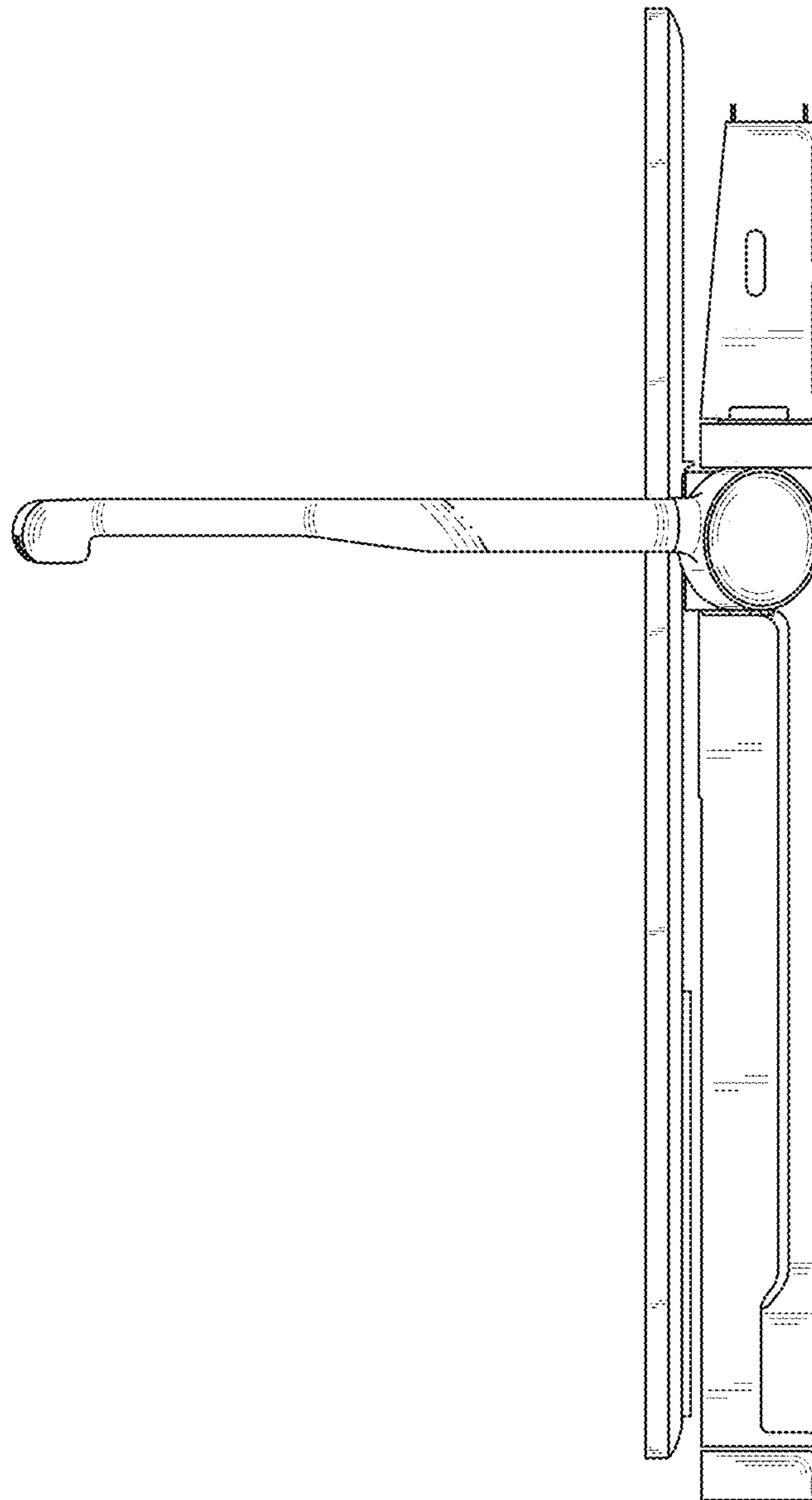


FIG. 4

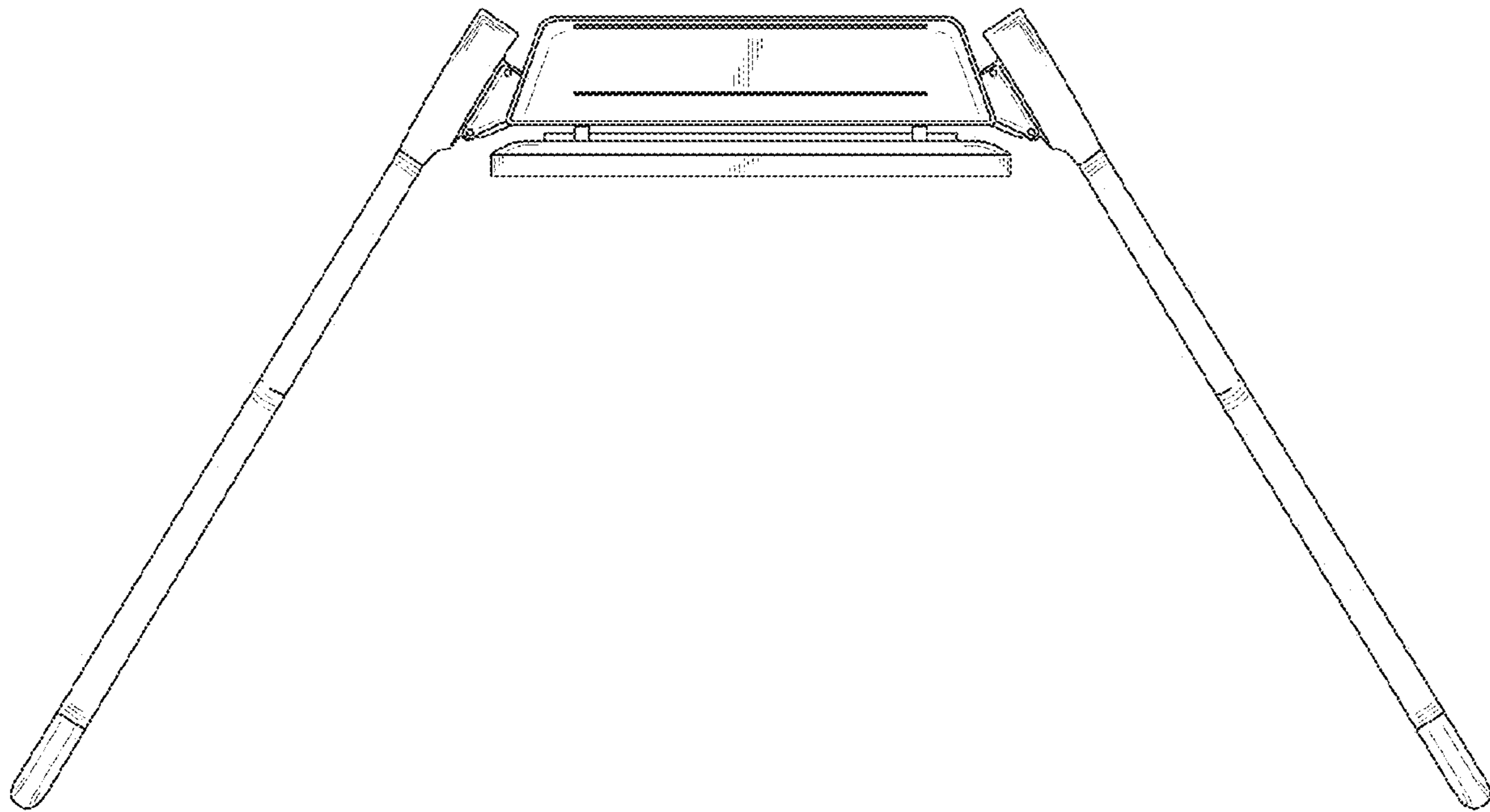


FIG. 5

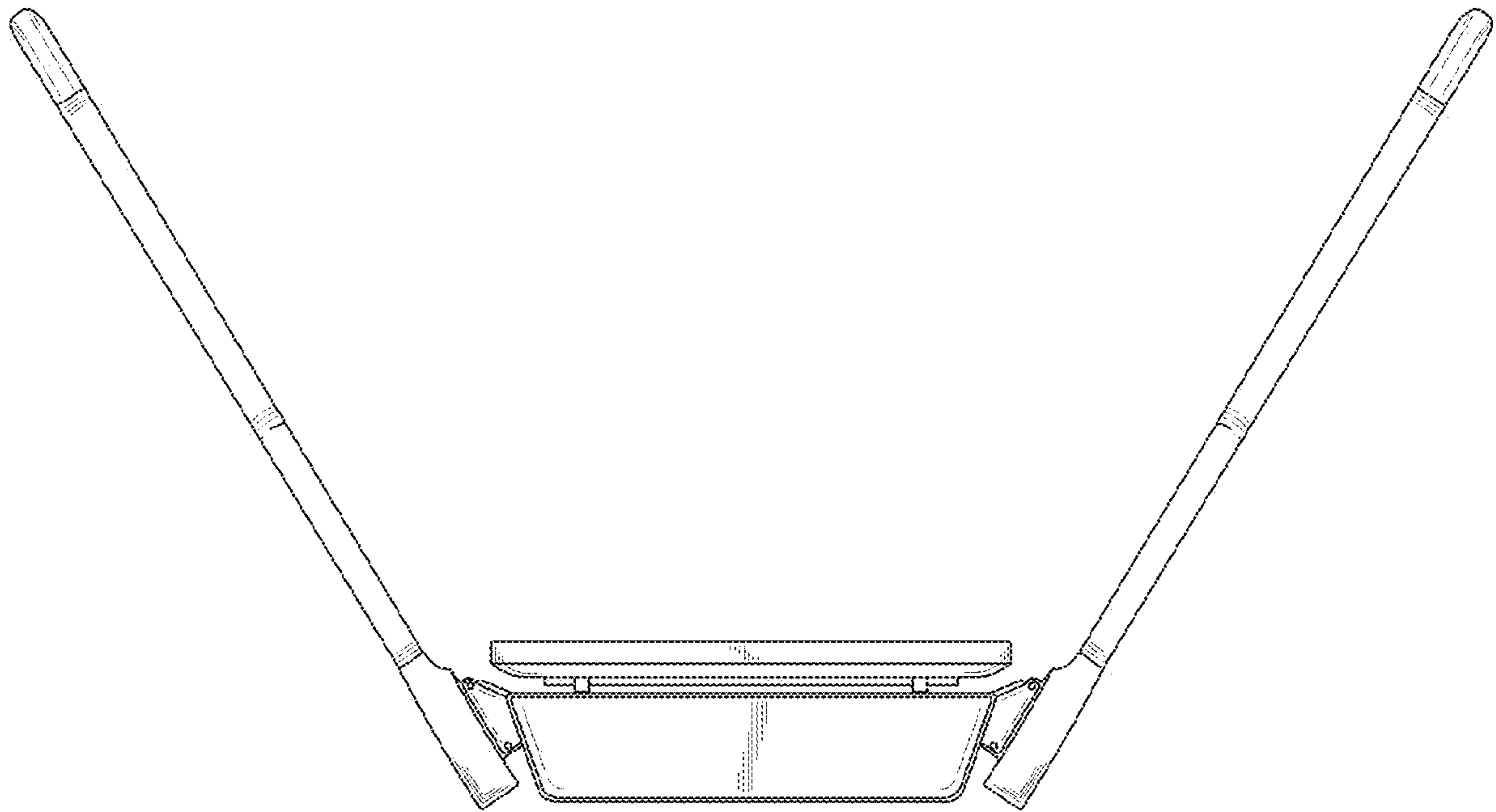


FIG. 6

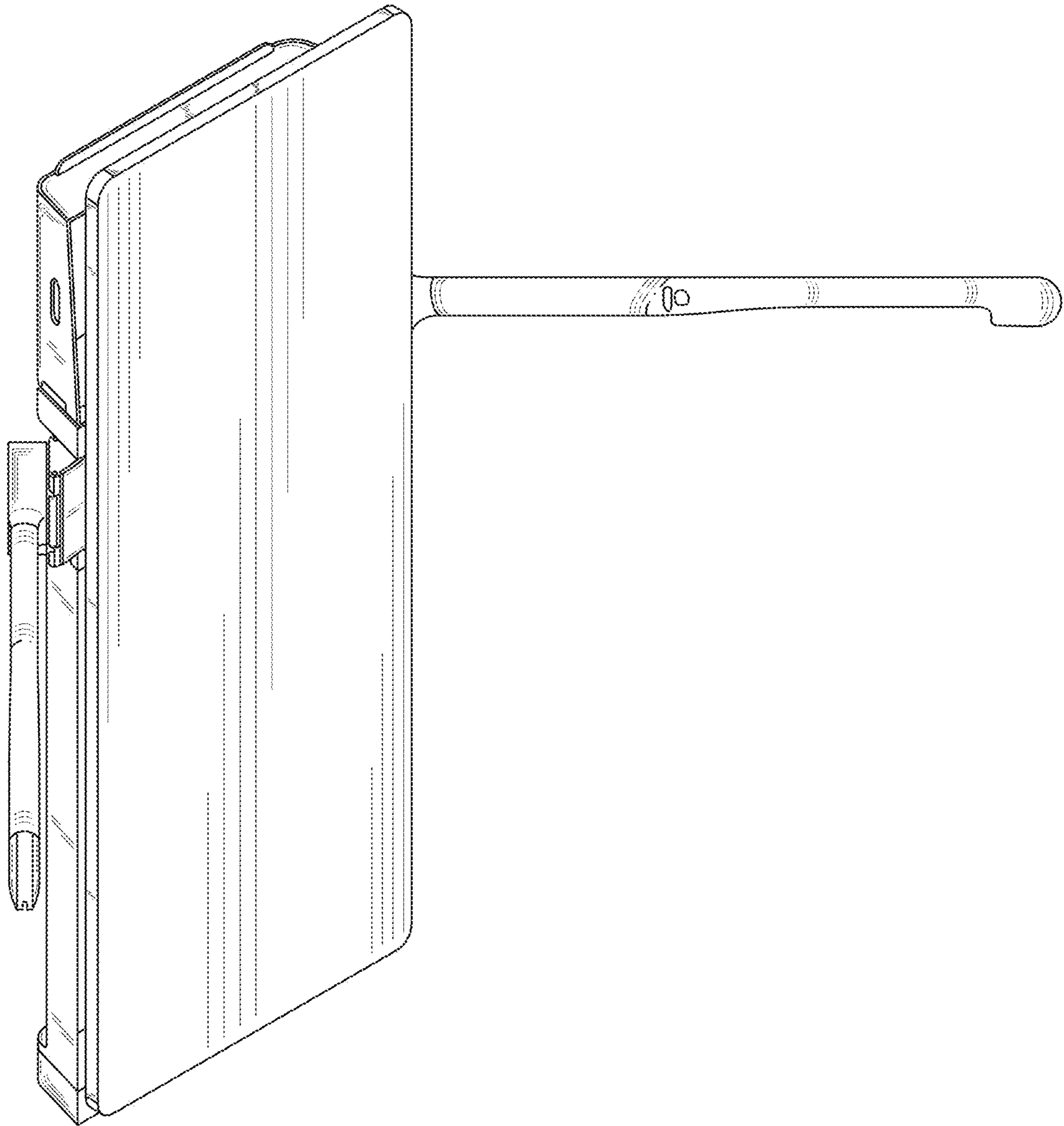


FIG. 7

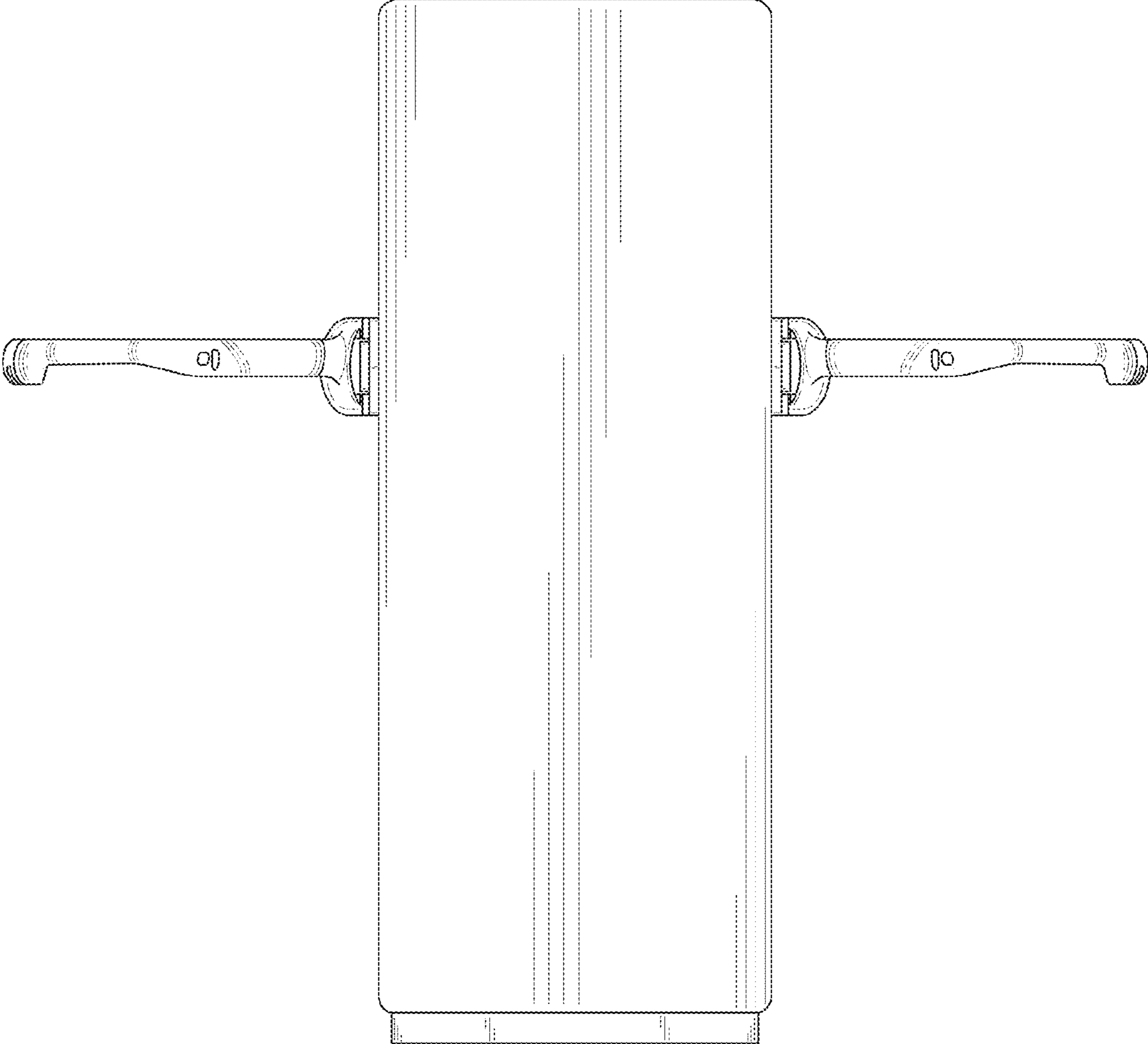


FIG. 8

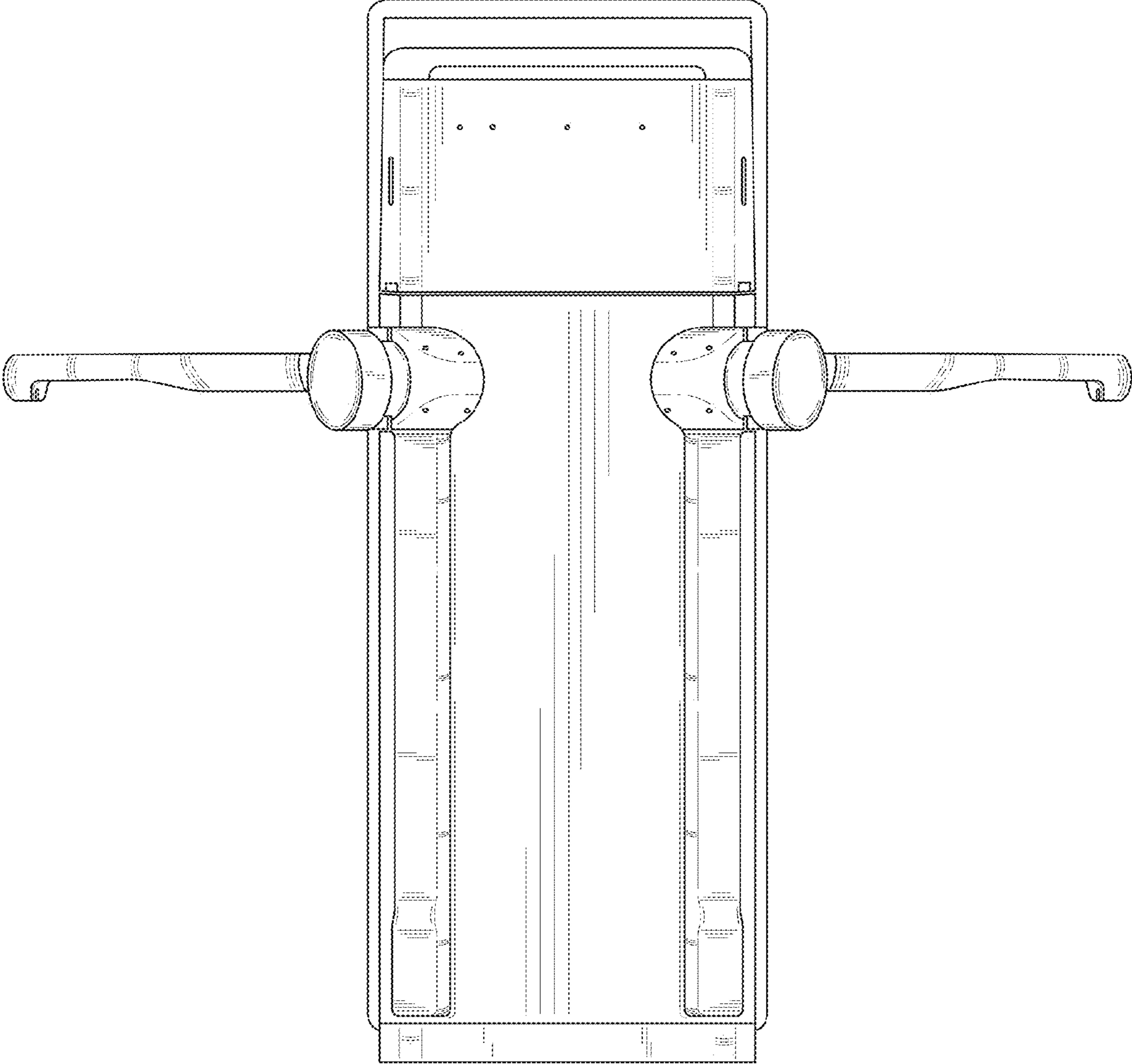


FIG. 9

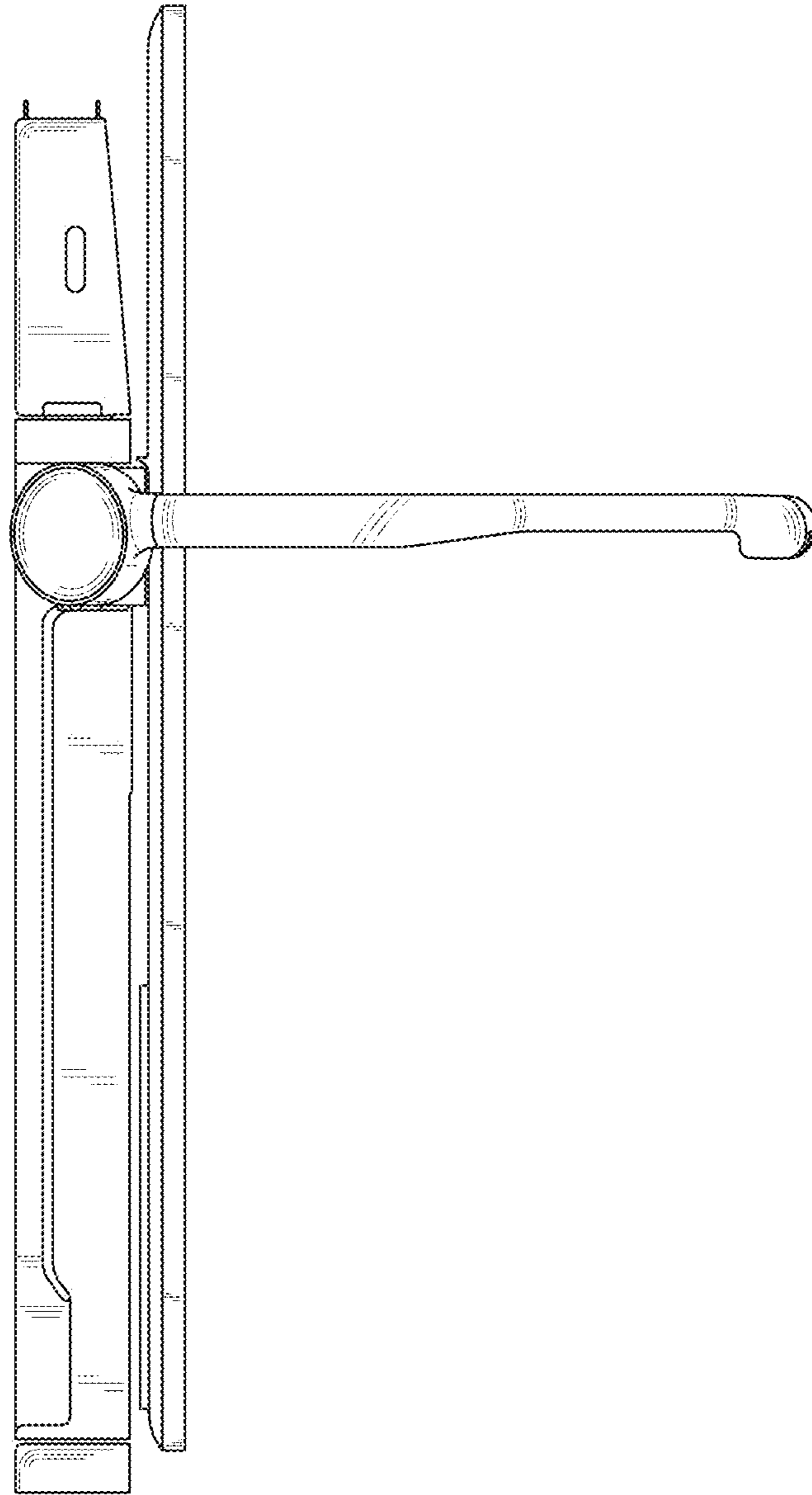


FIG. 10

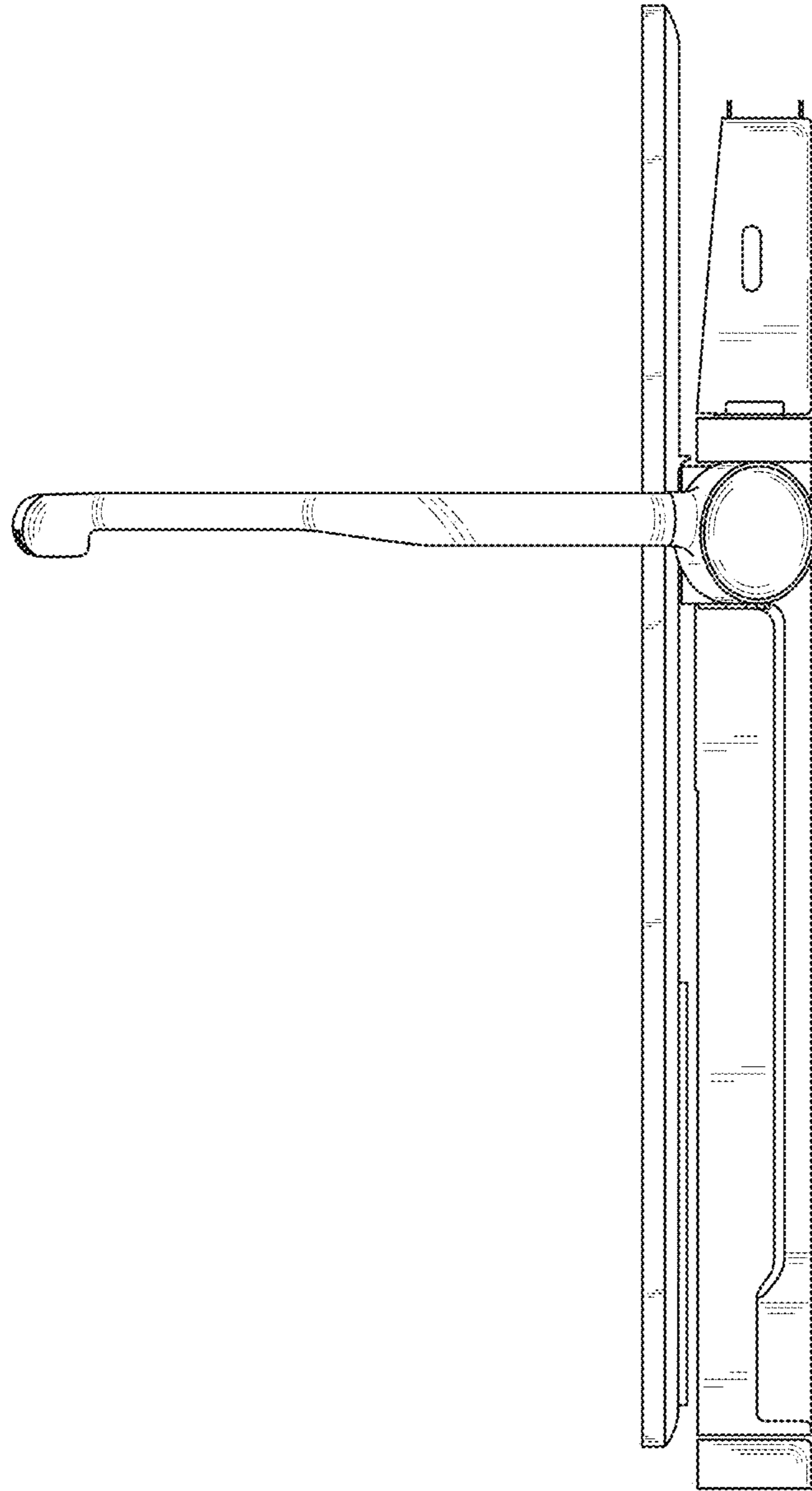


FIG. 11

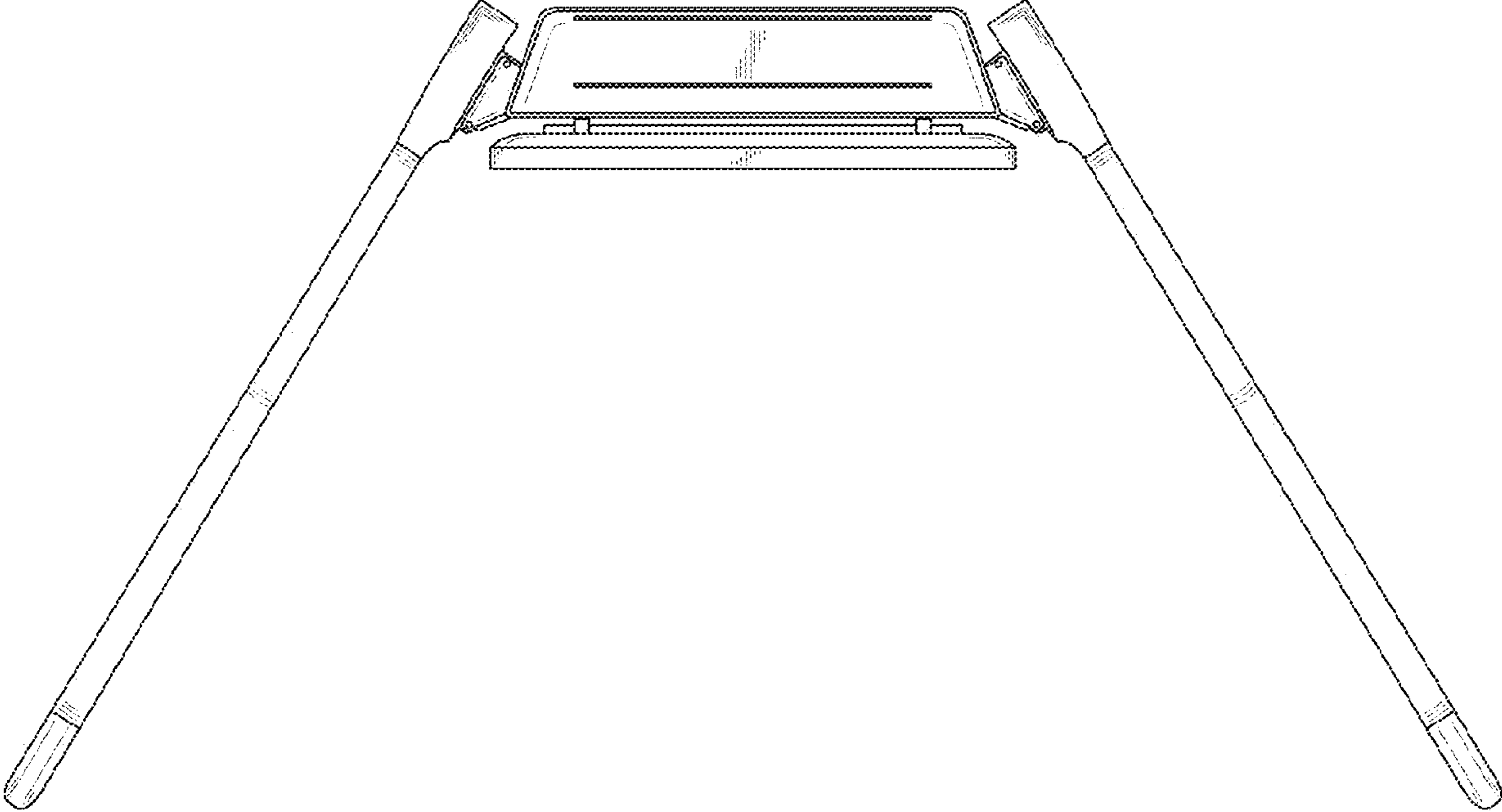


FIG. 12

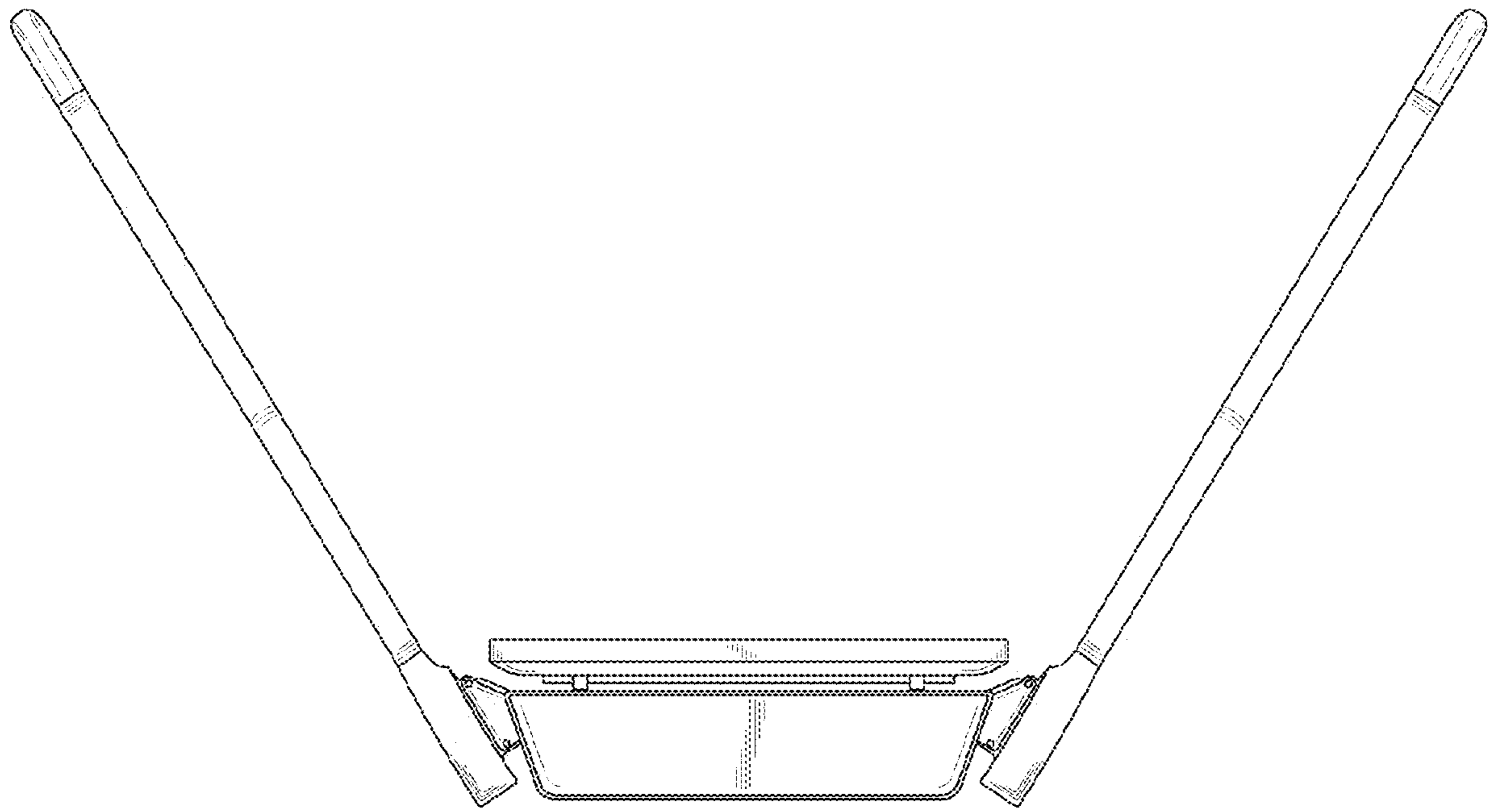


FIG. 13

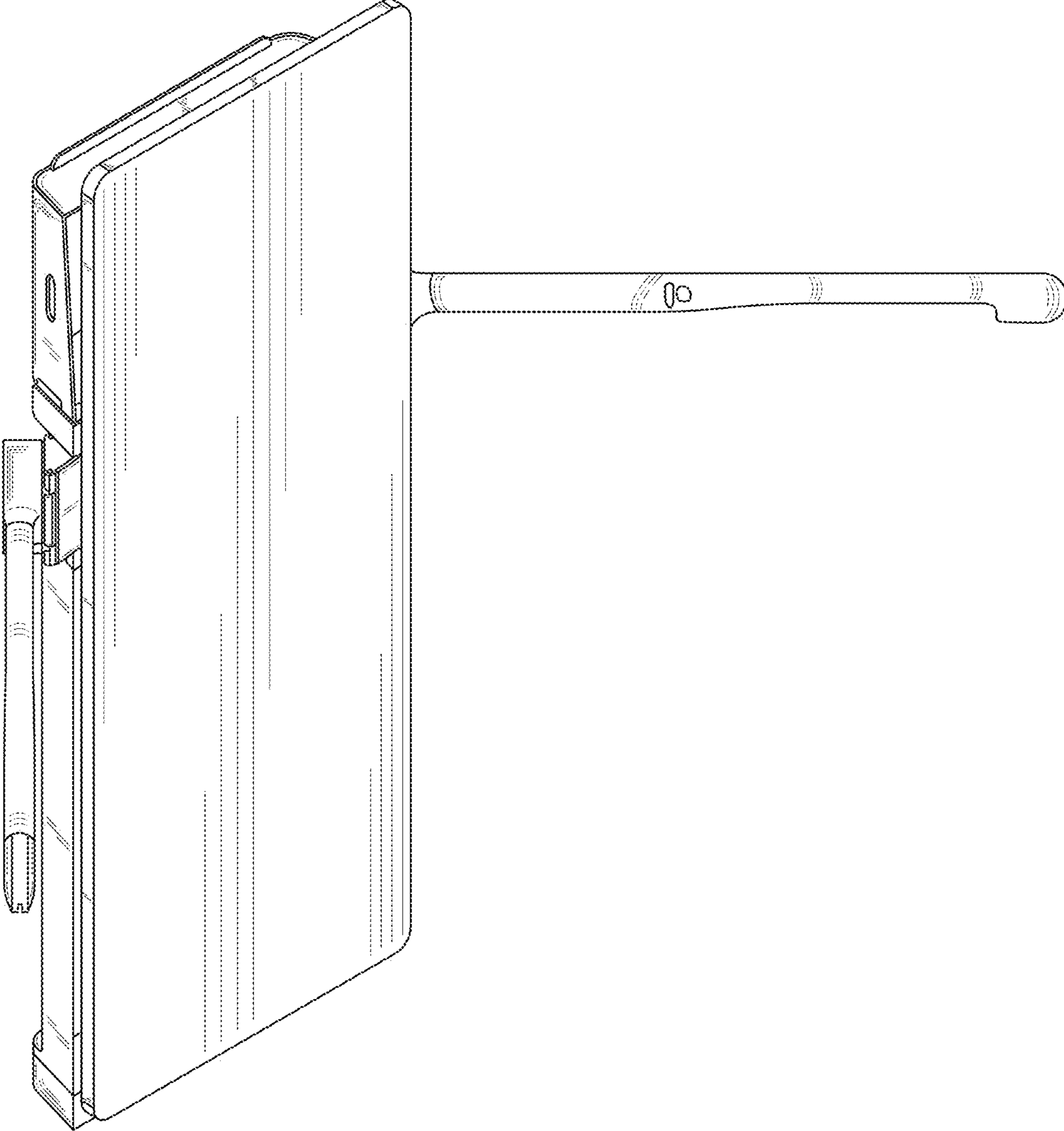


FIG. 14