



US00D94666S

(12) **United States Design Patent** (10) **Patent No.:** **US D946,666 S**
Ewing et al. (45) **Date of Patent:** **** Mar. 22, 2022**

(54) **MODEL VEHICLE BUMPER**

FOREIGN PATENT DOCUMENTS

(71) Applicant: **TRAXXAS LP**, McKinney, TX (US)

EP 008468474-0002 * 3/2021
TW D147600 S 6/2012

(72) Inventors: **Adam Cole Ewing**, McKinney, TX (US); **Otto Karl Allmendinger**, Rowlett, TX (US)

(Continued)

(73) Assignee: **TRAXXAS LP**, McKinney, TX (US)

Bumper, Rear, Traxxas 9036, available on hobby-time.com, original text Aug. 29, 2020, [site visited Jan. 24, 2022], URL: http://www.hobby-time.com/index.php?main_page=product_info&products_id=69348 (Year: 2020).*

(**) Term: **15 Years**

(21) Appl. No.: **29/730,207**

(Continued)

(22) Filed: **Apr. 2, 2020**

Primary Examiner — Dana K Weiland

(51) **LOC (13) Cl.** **21-01**

Assistant Examiner — Emily Anna Saunders

(52) **U.S. Cl.**

(74) *Attorney, Agent, or Firm* — Daryl R. Wright; Greg Carr

USPC **D21/561**; D12/169

(58) **Field of Classification Search**

USPC D21/552, 561, 562, 526, 523, 528, 483; D32/17, 18, 21, 22, 23, 24, 25, 31; D8/303; D12/169, 171

CPC . B60R 19/02; B60R 19/44; B60T 7/22; A47L 5/10; A47L 5/24; A47L 5/28; A47L 5/30; A47L 5/34; A47L 5/36; A47L 9/00; A47L 9/02; A47L 9/04; A47L 9/0461; A47L 9/0606; A47L 9/0633; A47L 9/0673; A47L 11/30; A47L 11/302; A47L 11/4044; B04C 5/185; B23Q 11/0046; B23Q 11/0071; E04H 4/1636

See application file for complete search history.

(57) **CLAIM**

We claim the ornamental design for a model vehicle bumper, as shown and described.

DESCRIPTION

FIG. 1 is an upper, left, front perspective view of a model vehicle bumper showing our new design; FIG. 2 is a front elevation view thereof; FIG. 3 is a rear elevation view thereof; FIG. 4 is a left side elevation view thereof; FIG. 5 is a right side elevation view thereof; FIG. 6 is an upper plan view thereof; FIG. 7 is a lower plan view thereof; and, FIG. 8 is an upper, right, rear perspective view of the model vehicle bumper.

The broken lines in the drawings illustrate portions of the model vehicle bumper that form no part of the claimed design.

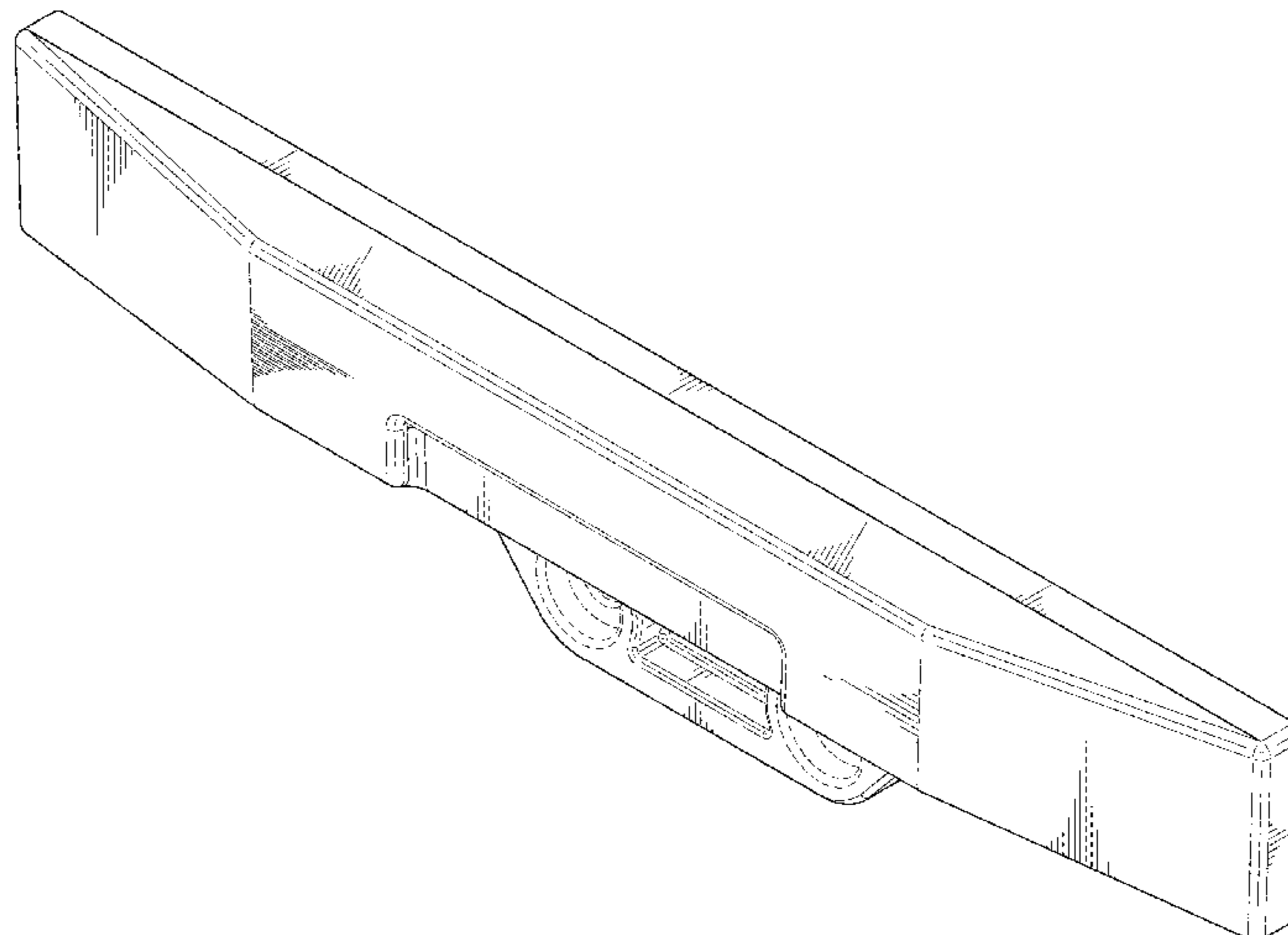
(56) **References Cited**

U.S. PATENT DOCUMENTS

1,355,592	A	10/1920	De Graw
1,414,382	A	5/1922	Stafford
1,427,624	A	8/1922	Newton
1,448,504	A	3/1923	Plante
1,464,321	A	8/1923	Koester et al.
1,468,868	A	9/1923	Reichstetter, Jr. et al.
1,487,352	A	3/1924	Nelson
1,494,867	A	5/1924	Rahe
1,509,394	A	9/1924	Cox

(Continued)

1 Claim, 5 Drawing Sheets



(56)

References Cited

U.S. PATENT DOCUMENTS

1,534,760	A	4/1925	Blackmore		D642,099	S	7/2011	Nagao et al.
1,633,603	A	6/1927	Spencer		D683,281	S	5/2013	Harriton
1,655,978	A	1/1928	Vella		D691,074	S	10/2013	Dugardin
1,729,731	A	10/1929	Vidach		D697,842	S	1/2014	Harriton
1,836,610	A	12/1931	McMurdo		D699,640	S	2/2014	Duderstadt
1,867,708	A	7/1932	Paton		D704,107	S	5/2014	Peltola et al.
1,982,775	A	12/1934	Williams		D713,305	S	9/2014	Sperling et al.
2,038,964	A	4/1936	Smith		D716,201	S	10/2014	Ewing et al.
2,144,357	A	1/1939	Booharin		D722,927	S	2/2015	Schroeder et al.
2,146,642	A	2/1939	Mueth		D726,605	S	4/2015	Schroeder
2,227,560	A	1/1941	Szabo		D728,038	S	4/2015	Ewing et al.
2,236,507	A	4/1941	Kreits		D737,181	S	8/2015	Smith et al.
D160,661	S	12/1949	Ross		D737,724	S	9/2015	Schroeder et al.
2,502,483	A	4/1950	Sauer et al.		D737,739	S	9/2015	Hanson et al.
2,604,349	A	7/1952	Martinetz		D740,730	S	10/2015	Peltola et al.
3,547,469	A	12/1970	Sancioni		D741,233	S	10/2015	Glover et al.
3,663,048	A	5/1972	Zimmerle		D744,384	S	12/2015	Harriton
3,689,054	A	9/1972	Gouirand		D744,386	S	12/2015	Harriton
D225,523	S	12/1972	Nunn		D744,387	S	12/2015	Harriton
3,756,643	A	9/1973	Weed		D744,388	S	12/2015	Harriton
3,774,948	A	11/1973	Gouirand		D749,021	S	2/2016	Boniface et al.
3,782,767	A	1/1974	Moore		D749,995	S	2/2016	Azadi et al.
3,829,118	A	8/1974	Gouirand		D751,012	S	3/2016	Hare
3,837,695	A	9/1974	Haase et al.		D753,034	S	4/2016	Thole et al.
D234,194	S	1/1975	Cline		D760,133	S	6/2016	Bennett et al.
3,938,840	A	2/1976	Haase et al.		D761,166	S	7/2016	Hare
3,971,583	A	7/1976	Kornhauser		D763,745	S	* 8/2016	Lee, IV D12/169
D245,774	S	* 9/1977	Norris D12/169		D764,728	S	* 8/2016	Choi D32/25
4,264,094	A	4/1981	White et al.		D764,729	S	* 8/2016	Choi D32/25
D259,556	S	* 6/1981	Norris D12/169		D769,945	S	* 10/2016	Serrurier D15/28
D259,557	S	* 6/1981	Norris D12/169		D771,537	S	11/2016	Hare
D275,776	S	10/1984	Horowitz et al.		D775,013	S	12/2016	Bennett et al.
D300,128	S	3/1989	Brennan		D775,016	S	12/2016	Reynolds
5,181,699	A	1/1993	Chang		D775,032	S	12/2016	Palmer et al.
5,326,083	A	7/1994	Wydra et al.		D776,582	S	1/2017	Bennett et al.
D350,516	S	* 9/1994	Hanson D12/169		D777,618	S	1/2017	Setina
D360,865	S	8/1995	Hanson		D777,619	S	1/2017	Barajas et al.
D375,067	S	10/1996	Bronstein		D778,213	S	2/2017	Platto et al.
D403,023	S	12/1998	Araki		D778,784	S	2/2017	Hirooka
5,971,451	A	10/1999	Huang		D781,193	S	3/2017	McMath
D420,634	S	2/2000	Nelson		D781,757	S	3/2017	Baggett
D420,962	S	2/2000	Chevalier		D784,869	S	4/2017	Yamamoto
D422,953	S	4/2000	Waagenaar		D785,504	S	5/2017	Higgs
D425,462	S	5/2000	Ujiie		D786,745	S	5/2017	Zeng
D431,506	S	10/2000	Runfola		D788,826	S	* 6/2017	Serrurier D15/28
D432,469	S	10/2000	Nelson		D789,258	S	6/2017	McMath
6,217,090	B1	4/2001	Berzinji		D790,600	S	* 6/2017	Serrurier D15/28
D454,098	S	3/2002	McGuinness		D792,817	S	7/2017	McMath
D454,099	S	3/2002	McGuinness		D792,818	S	7/2017	McMath
D454,817	S	3/2002	McGuinness		D793,304	S	8/2017	McMath
D455,684	S	4/2002	McGuinness		D794,519	S	8/2017	McMath
D455,988	S	4/2002	McGuinness		D796,399	S	9/2017	Steen
D460,499	S	7/2002	Wu		D800,028	S	10/2017	Baggett
D462,401	S	9/2002	Wu		D800,036	S	10/2017	Bennett et al.
D462,727	S	9/2002	Wu		D800,226	S	10/2017	Zeng
D464,087	S	10/2002	Wu		D801,892	S	11/2017	Drever
D476,606	S	7/2003	Hamm et al.		D810,626	S	2/2018	Macey et al.
D485,219	S	1/2004	Hamm et al.		D811,956	S	3/2018	Zeng
D487,038	S	2/2004	Chan		D814,984	S	4/2018	Wymore
D502,433	S	3/2005	McClanahan		D821,275	S	6/2018	Eck et al.
D506,421	S	6/2005	Newbill		D823,750	S	7/2018	Schulzetenberg et al.
D521,572	S	5/2006	Yuen		D825,385	S	8/2018	Ma
7,097,222	B2	8/2006	Ran		D826,115	S	8/2018	Chi
D527,696	S	9/2006	Ichikawa et al.		D826,116	S	8/2018	DiCanzio
D532,348	S	11/2006	Kudo et al.		D827,054	S	8/2018	Ewing et al.
D533,606	S	12/2006	Kaminski		D827,055	S	8/2018	Barajas et al.
D534,593	S	1/2007	Yuen		D828,223	S	9/2018	Piscitelli
D565,484	S	* 4/2008	Johnson D12/169		D830,919	S	10/2018	Zeng
D577,083	S	9/2008	Nakayama		D832,161	S	10/2018	Kobayashi
D580,322	S	11/2008	Schroeder et al.		D832,368	S	10/2018	Barajas et al.
D590,752	S	4/2009	Williams et al.		D833,922	S	11/2018	DiCanzio
D593,616	S	6/2009	Asai		D845,844	S	4/2019	Langhals et al.
D606,913	S	12/2009	Robertson		D845,845	S	4/2019	Goodrich et al.
7,703,834	B1	4/2010	Hardy et al.		D845,846	S	4/2019	Goodrich et al.
D636,305	S	4/2011	Alvarez et al.		D845,847	S	4/2019	Piscitelli et al.
					D846,460	S	4/2019	Goodrich et al.
					D846,461	S	4/2019	Piscitelli et al.
					D846,462	S	4/2019	DiCanzio
					D847,051	S	4/2019	DiCanzio

(56)

References Cited

U.S. PATENT DOCUMENTS

D847,709	S	5/2019	Neal	
D850,334	S	6/2019	DiCanzio	
D860,881	S	9/2019	Ninov et al.	
D864,806	S	10/2019	Wood	
D870,615	S	12/2019	Wood	
D873,729	S	1/2020	Rolfs et al.	
D873,730	S	1/2020	Goodrich et al.	
D873,731	S	1/2020	Goodrich et al.	
D873,734	S	1/2020	Goodrich et al.	
D874,998	S	2/2020	Zhang	
D874,999	S	2/2020	Ewing et al.	
D877,003	S	3/2020	Izard	
D877,670	S	3/2020	Moctezuma	
D878,976	S	3/2020	Goodrich et al.	
D878,978	S	3/2020	Li	
D880,381	S	4/2020	DiCanzio	
D887,328	S	6/2020	Lee	
D889,332	S	7/2020	Chi	
D891,330	S	7/2020	Lenz, Jr.	
D893,366	S	8/2020	Dewitt et al.	
D894,802	S	9/2020	Grand	
D894,803	S	9/2020	DiCanzio	
D896,139	S	9/2020	Williams	
D904,244	S	12/2020	Wood et al.	
D908,177	S	1/2021	Sprowl et al.	
D908,561	S	1/2021	Harriton et al.	
D908,562	S	1/2021	Harriton et al.	
D909,918	S	2/2021	Langhals et al.	
D910,493	S	2/2021	Langhals et al.	
D918,802	S	5/2021	Huang	
D918,803	S *	5/2021	Wood	D12/171
D919,516	S	5/2021	Chi	
D920,194	S	5/2021	Mallicote et al.	
D923,111	S	6/2021	Wood et al.	
D923,112	S *	6/2021	Hagler	D21/561
D923,113	S	6/2021	Hagler et al.	
D937,146	S *	11/2021	Kaoud	D12/169
2006/0021188	A1 *	2/2006	Lee	A47L 9/02 15/419
2006/0192398	A1	8/2006	Buniewicz et al.	
2006/0261613	A1	11/2006	Byers et al.	
2009/0212581	A1	8/2009	Drever	
2009/0302623	A1	12/2009	Finney	
2013/0187395	A1	7/2013	Hanson et al.	
2017/0088076	A1	3/2017	Fujimoto et al.	
2017/0247014	A1	8/2017	Farooq et al.	
2017/0349227	A1	12/2017	Spindler et al.	
2018/0072254	A1	3/2018	Wymore	
2019/0337476	A1	11/2019	Hare et al.	

FOREIGN PATENT DOCUMENTS

TW	D154920	S	7/2013
TW	D163365	S	10/2014
TW	D168397	S	6/2015
TW	D169825	S	8/2015

OTHER PUBLICATIONS

Traxxas Hoss Rear Bumper, available on hobbytown.com, product added to catalog Feb. 17, 2021, [site visited Jan. 24, 2022], URL: <https://www.hobbytown.com/traxxas-hoss-rear-bumper-tra9036/p1253531> (Year: 2021).*

Traxxas 9036 Bumper, available on Amazon.com, [site visited Jan. 24, 2022], URL: <https://www.amazon.com/Traxxas-9036-Bumper-Mount-Support/dp/B08FP5CSYG/> (Year: 2022).*

Bumper, rear (#9036), available on traxxas.com, [site visited Jan. 24, 2022], URL: <https://traxxas.com/products/parts/9097> (Year: 2022).*

Hoss 4X4 LED Light Kit, available on traxxas.com, [site visited Jan. 24, 2022], URL: <https://traxxas.com/products/parts/9095-hoss-4x4-light-kit> (Year: 2022).*

Traxxas 8936 Bumper, available on Amazon.com, [site visited Jan. 24, 2022], URL: <https://www.amazon.com/Traxxas-8936-Bumper-Rear/dp/B081LMYSNT/> (Year: 2022).*

RPM Wide Front Bumper Black Rustler, available on amazon.com, date first available Jun. 21, 2007, [site visited Jan. 24, 2022], URL: <https://www.amazon.com/RPM-Bumper-Rustler-Stampede-Bandit/dp/B0006O7RR4/> (Year: 2007).*

Axial SCX10 III, available on amainhobbies.com, added to catalog Apr. 8, 2020, [site visited Jan. 24, 2022], URL: <https://www.amainhobbies.com/axial-scx10-iii-crc-jeep-jlu-bumper-set-axi230018/p1204845> (Year: 2020).*

Bull Bars. (Design—© Questel) orbit.com. [Online PDF compilation] 16 pgs. Print Dates Range Oct. 8, 2019-Apr. 14, 2005 [Retrieved Jun. 4, 2021].

“4 PCS ZD Racing 8481 Front Bumper Set.” Before Jul. 21, 2019. Banggood. https://www.banggood.com/4PCS-ZD-Racing-8481-Front-Bumper-Set-for-9116-08427-9021-V3-1-or-8-RC-Car-Parts-p-1528272.html?cur_warehouse=CN (Year: 2019).

Onorato, Paul. “3 Must-See Pro-Line Traxxas Slash Builds that Anyone Can Do!” Apr. 29, 2019. RC Driver <https://www.rcdriver.com/3-must-see-pro-line-traxxas-slash-builds-that-anyone-can-do/> (Year: 2019).

“Traxxas Trx4 Aluminum Front Bumper (GPM Racing Product) Adding Extra Weight to the Front—RC Overdose.” Jan. 31, 2018. YouTube. https://www.youtube.com/watch?v=_wui5f_k1eY (Year: 2018).

PL6088-00 Front Proline Ridge-Line Bumper (SMAL), Earliest Available Date May 2, 2019 [Online], [Site Visited Oct. 20, 2020] Available From Internet, URL: <https://www.ebay.com/itm/PL6088-00-Front-PROLINE-RIDGE-LINE-BUMPER-SMAL-SET-VOOR-NARROW-ROCK-CRAWLING-/153425968229?trksid=p2385738.m4383.14275.c10> (Year: 2019).

Traxxas TRX-4 Winch Front Bumper, Earliest Available Date May 22, 2019 [Online], [Site Visited Oct. 20, 2020] Available From Internet, URL: https://www.amainhobbies.com/traxxas-trx-4-winch-front-bumper-tra8124/p779826?gclid=EAIaIqobChMI0aymroXE7AIVD02GCh0ntA-WEAQYBSABEgJl5_D_BwE (Year: 2019).

TF2 Mojave ARB-Deluxe Metal Front Bumper Assembly, Earliest Available Date Oct. 22, 2020 [Online], [Site Visited Oct. 22, 2020] Available From Internet, URL: <https://www.aliexpress.com/i/4000118857581.html> (Year: 2020).

Traxxas 5834 Front Bumper Mount Front Adapter 2WD Slash 4x4, Earliest Available Date Jul. 15, 2020 [Online], [Site Visited Oct. 22, 2020] Available From Internet, URL: https://www.ebay.com/itm/Traxxas-5834-Front-Bumper-Mount-Front-Adapter-2WD-Slash-4x4-/174332832512?_trksid=p2385738.m4383.14275.c10 (Year: 2020).

Traxxas TRA6736 Bumper, Front/ Bumper Support, Earliest Available Date Oct. 22, 2020 [Online], [Site Visited Oct. 22, 2020] Available From Internet, URL: <https://amazon.com/Traxxas-TRA6736-Bumper-Front-Support/dp/B07HJF56V1#customerReviews> (Year: 2020).

Traxxas 8990 Complete Waterproof LED Light Bar Kit, Nov. 14, 2019, amazon.com, Dec. 15, 2021, URL: <https://www.amazon.com/Traxxas-8990-LED-Light-Kit/dp/B07YGR7GLT> (Year: 2019).

Traxxas 7735X-Maxx Front Bumper, Jan. 5, 2016, amazon.com, Dec. 15, 2021, URL: <https://www.amazon.com/Traxxas-7735-X-Maxx-Front-Bumper/dp/B01A6Z06HU/> (Year: 2016).

Traxxas LP; The New Traxxas Summit 16.8 V Electric Extreme Terrain Monster Truck; Traxxas Press Release; Oct. 16, 2008.

Summit E-Revo Crawler SP08503 front bumper; Oct. 16, 2008.

“How Do I Add a Ball Hitch to my RPM Rear Bumper (T/E-Maxx & Revo Bumpers)?” RPM, Jul. 30, 2005 [online], [retrieved on Sep. 12, 1996]. Retrieved from the internet, URL: <http://www.rpmrproducts.com/faq/add-ball-hitch-rpm-rear-bumper-te-maxx-revo-bumpers/>.

“Warn 87750 Elite Series Front Bumper with Grill Guard Tube” RPM, Jul. 17, 2013 [online], [retrieved on Sep. 12, 2016]. Retrieved from Internet, URL: https://www.amazon.com/gp/product/B00625F4F1/ref=pd_sim_263_5?ie=UTF8&pd_rd_i=B00625F4F1&pd_rd_r=QN6NZ5WV34ZS00Z3BSGH&pd_rd_w=4XjJD&pd_rd_wg=7Z80V&psc=1&refRID=QN6NZ5WV34ZS0.

“Yeah Racing F/R Bumper w/ HD Shackie & LED’s—SCX10, Traxxas.” RC Hobbies, Nov. 12, 2014 [online], [retrieved on Sep. 12, 2016]. Retrieved from the Internet <URL: http://rchoobbies.com.au/store/product_info.php?products_id=80405>.

(56)

References Cited

OTHER PUBLICATIONS

Associated Electrics; "Catalog and Parts Listing for the Monster GT Truck"; 2003; Associated Electrics, Inc., Costa Mesa, California.
Horizon Hobby; "Team Losi LST Super Truck—Drive Train Assy" exploded view; Horizon Hobby, Inc., Champaign, Illinois.
HPI Racing, "Savage 21 4WD Giant Monster Truck" p. 56 exploded view; Hobby Products International, Foothill Ranch, California.
Tamiya, "Terra Crusher Parts Breakdown—Front End"; Tamiya America, Inc., Aliso Viejo, California.
Tamiya, "Wild Willy 2 Parts Breakdown"; 1999, Tamiya America, Inc., Aliso Viejo, California.
Tamiya, "Wild Willy"; Tamiya America, Inc., Aliso Viejo, California; 1 photograph.
Traxxas, "T-Maxx Assemblies—Front Assembly"; Traxxas LP, Plano, Texas.
Axial SCX10 II 2000 Jeep Cherokee; <http://www.axialracing.com/products/ax90047>; Aug. 2016.
Axial SCX 10 Deadbolt; <http://www.axialracing.com/products/ax90044>; Aug. 2016.
Traxxas; Bumper support geometry, body mounts, body mount posts; <https://traxxas.com/products/parts/3619>; Oct. 2016.
Sema 2015 Fab Fours; 2 photos.

* cited by examiner

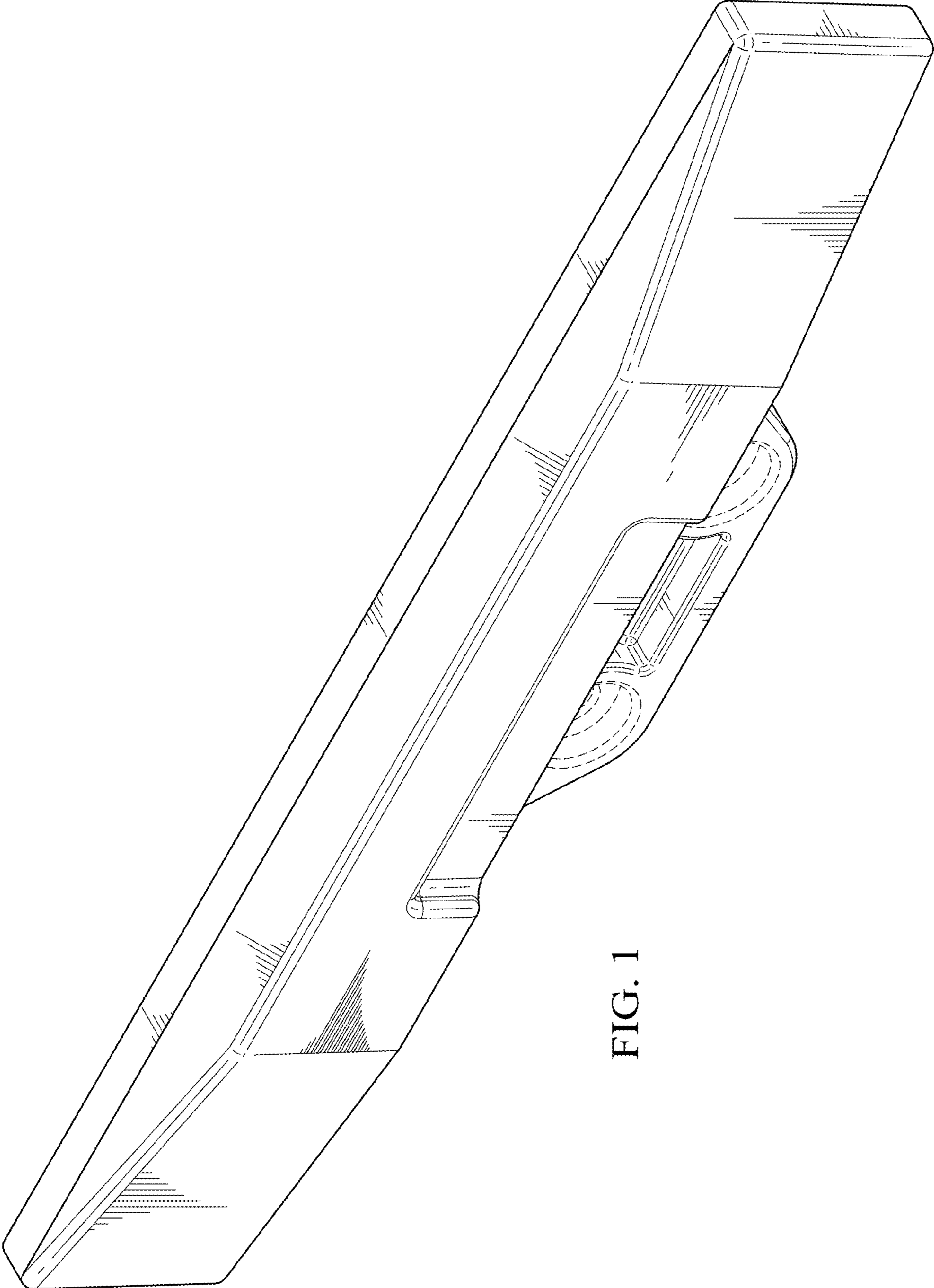


FIG. 1

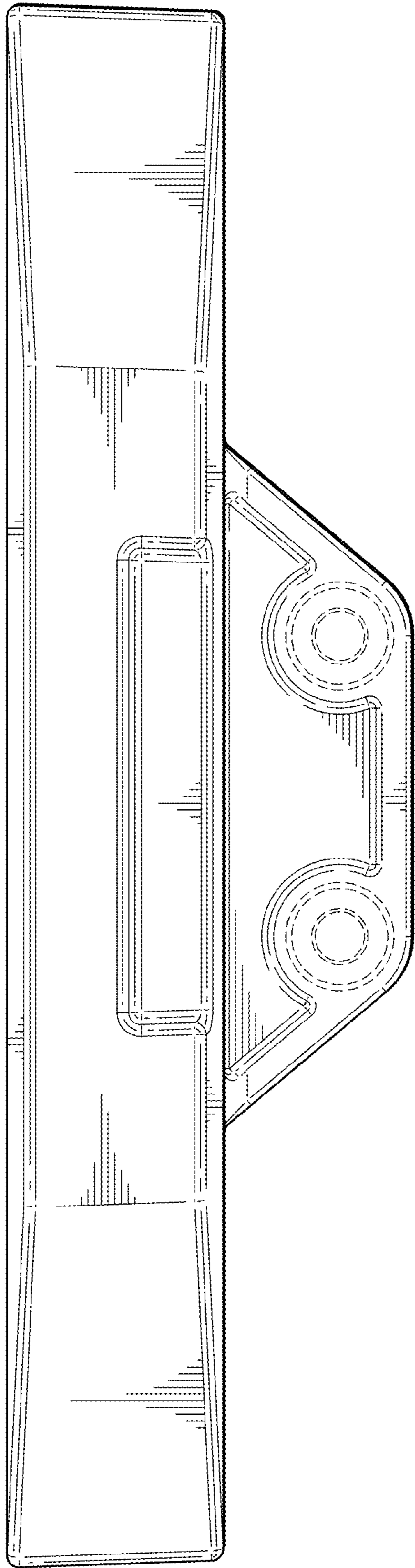


FIG. 2

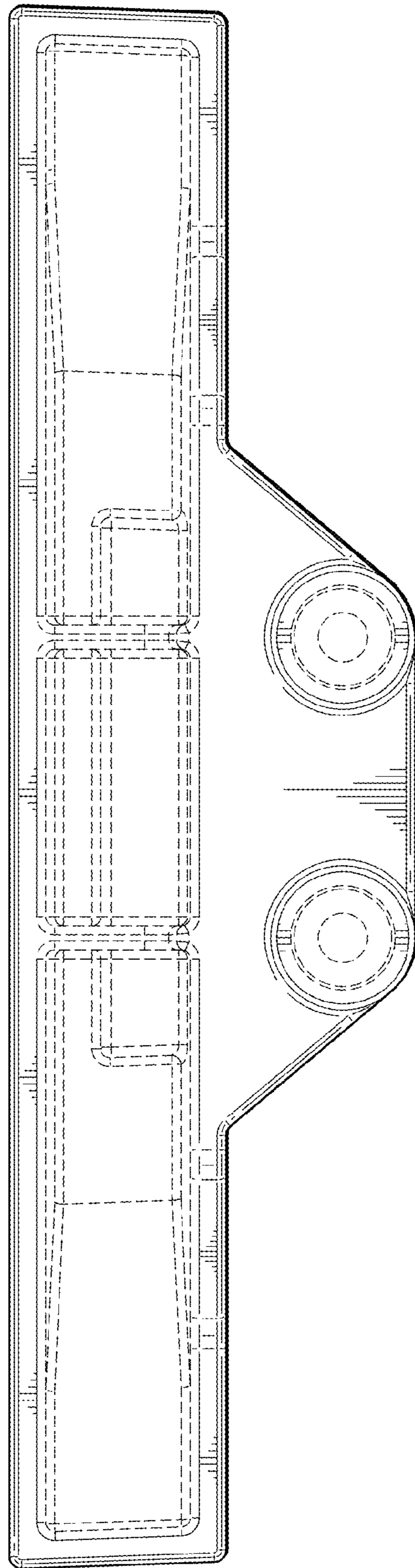


FIG. 3

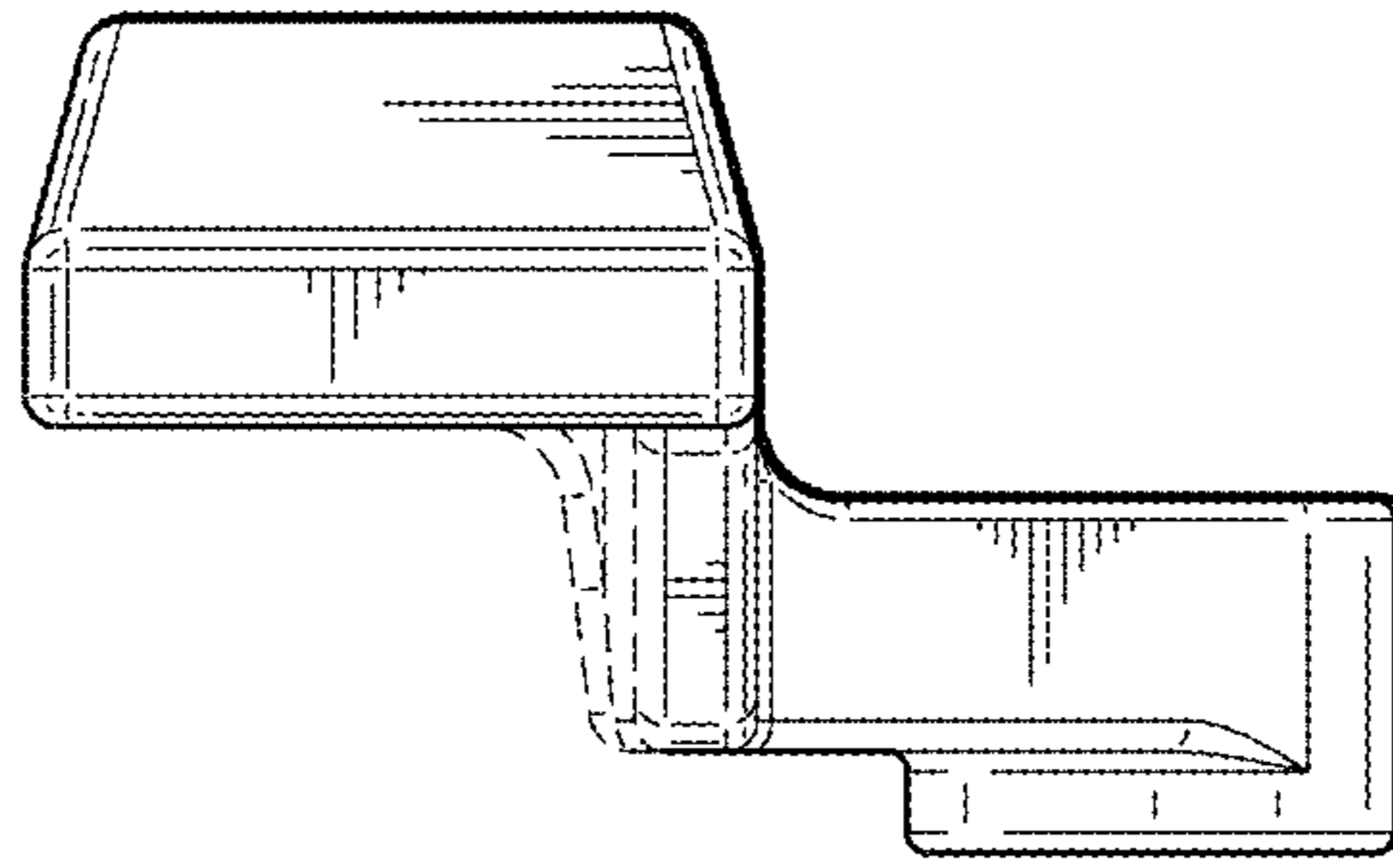


FIG. 5

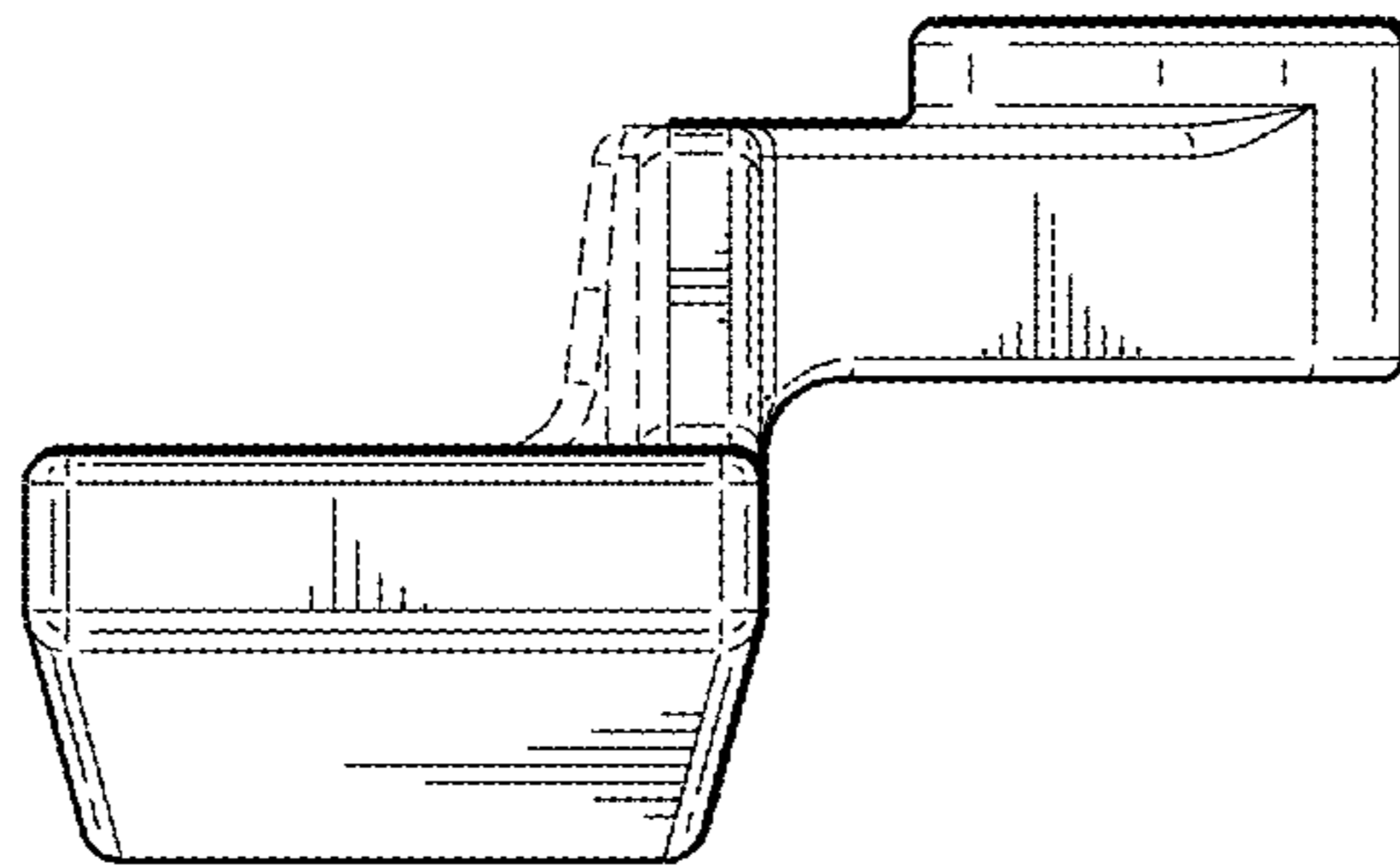


FIG. 4

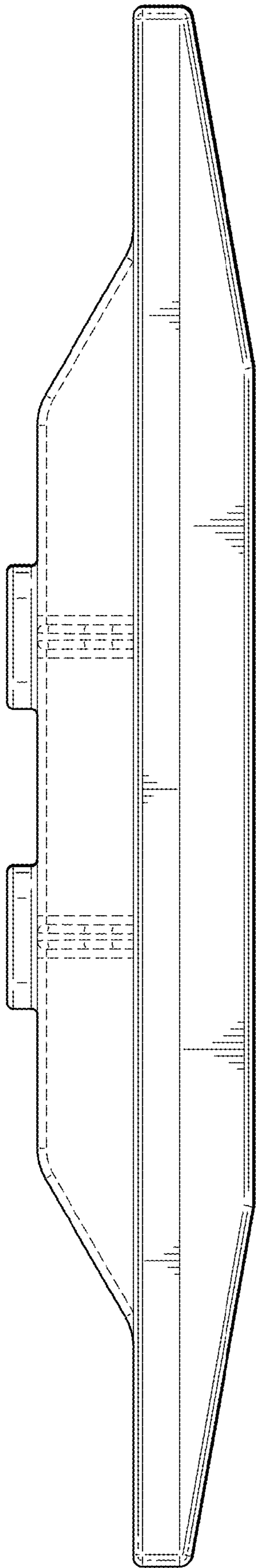


FIG. 6

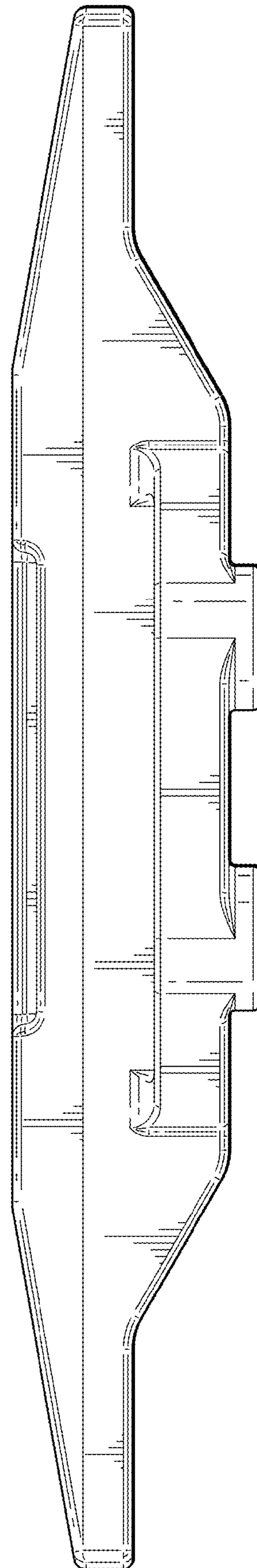


FIG. 7

FIG. 8

