

US00D94664S

(12) **United States Design Patent**
Amels

(10) **Patent No.:** **US D946,664 S**
(45) **Date of Patent:** **** Mar. 22, 2022**

(54) **BALL TRACK COMPONENT**
(71) Applicant: **Hubelino GmbH**, Erkelenz (DE)
(72) Inventor: **Stefan Amels**, Erkelenz (DE)
(**) Term: **15 Years**

D324,751 S * 3/1992 Perkitny D99/34
D382,026 S * 8/1997 Petersson D21/565
D689,142 S * 9/2013 Mimlitch, III D21/565
D689,959 S * 9/2013 Mimlitch, III D21/565
D703,767 S * 4/2014 Mimlitch, III D21/565
D915,528 S * 4/2021 Wang A63D 3/00
D21/564
D917,631 S * 4/2021 Wang D21/564

(21) Appl. No.: **35/510,508**

(22) Filed: **May 22, 2020**

(80) **Hague Agreement Data**

Int. Filing Date: **May 22, 2020**
Int. Reg. No.: **DM/210518**
Int. Reg. Date: **May 22, 2020**
Int. Reg. Pub. Date: **Oct. 9, 2020**

(51) **LOC (13) Cl.** **21-01**

(52) **U.S. Cl.**
USPC **D21/456**

(58) **Field of Classification Search**
USPC D21/455, 456, 484, 485, 491, 500-505,
D21/564

CPC A63H 18/00; A63H 18/02; A63H 18/023;
A63H 18/026; A63H 18/028; A63H
33/04-088; A63F 7/36; A63F 7/3622
See application file for complete search history.

(56) **References Cited**

U.S. PATENT DOCUMENTS

3,559,990 A * 2/1971 Philpot A63D 3/00
473/109
D233,057 S * 10/1974 Irvine D21/564
D238,891 S * 2/1976 Smith D21/564
D289,218 S * 4/1987 Divnick D21/564
D290,143 S * 6/1987 Wichman D21/564
D303,693 S * 9/1989 Petersson D21/565

OTHER PUBLICATIONS

Votra TV, Building Blocks Puzzle Race Track Marble Run Construction, Apr. 10, 2019, YouTube.com. Retrieved from the internet on Nov. 29, 2021 <URL: <https://www.youtube.com/watch?v=MAopEFU2ESM>> (Year: 2019).*

* cited by examiner

Primary Examiner — Joseph Kukella

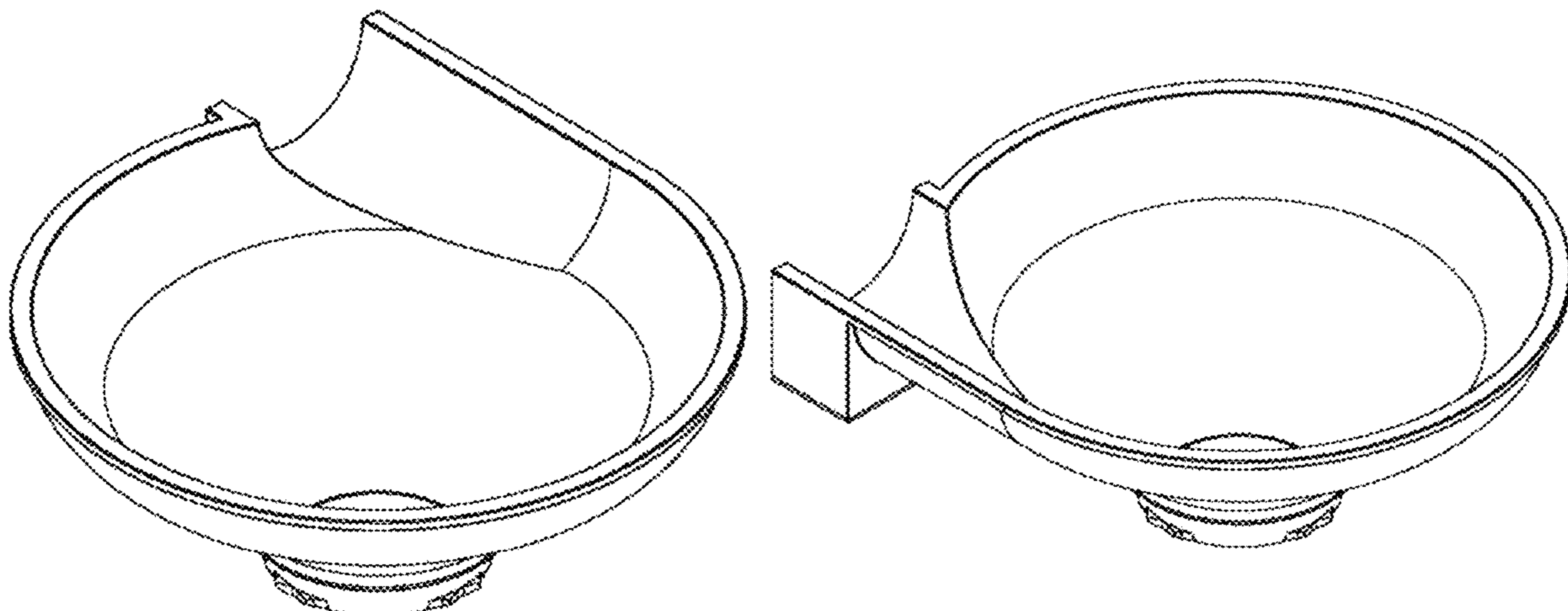
(57) **CLAIM**

The ornamental design for a ball track component, as shown and described.

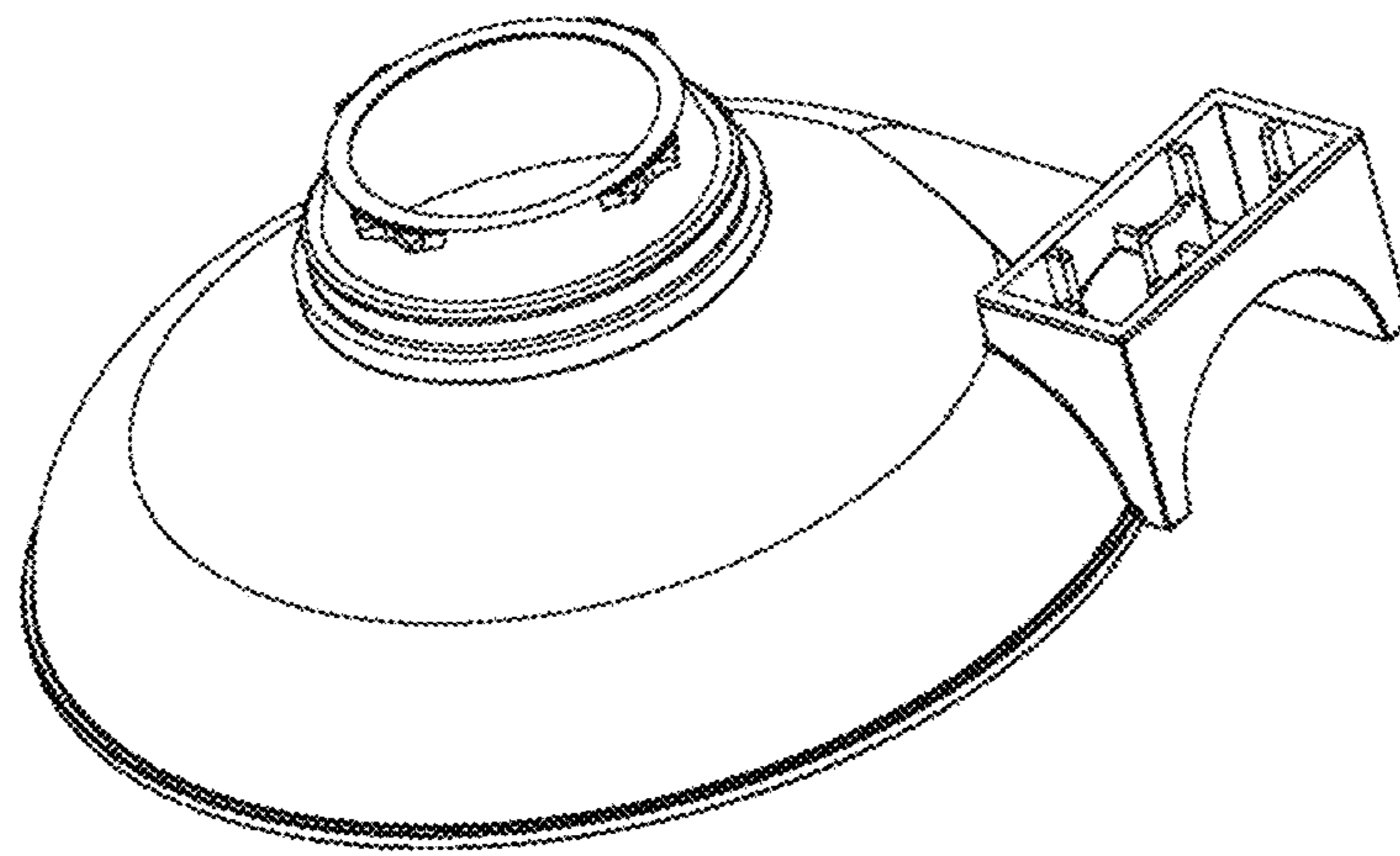
DESCRIPTION

4.1 is a bottom, rear, right side perspective view of a funnel for a ball track showing my new design;
4.2 is a top, front, perspective view thereof;
4.3 is a rear elevation view thereof;
4.4 is a front elevation view thereof
4.5 is a top, front perspective view thereof
4.6 is a top plan view thereof;
5.1 is a bottom, rear perspective view of a mirror image of a funnel for a ball track;
5.2 is a rear elevation view thereof;
5.3 is top rear perspective view thereof;
5.4 is a front elevation thereof;
5.5 is a top front elevation view thereof;
5.6 is a top front perspective view thereof.

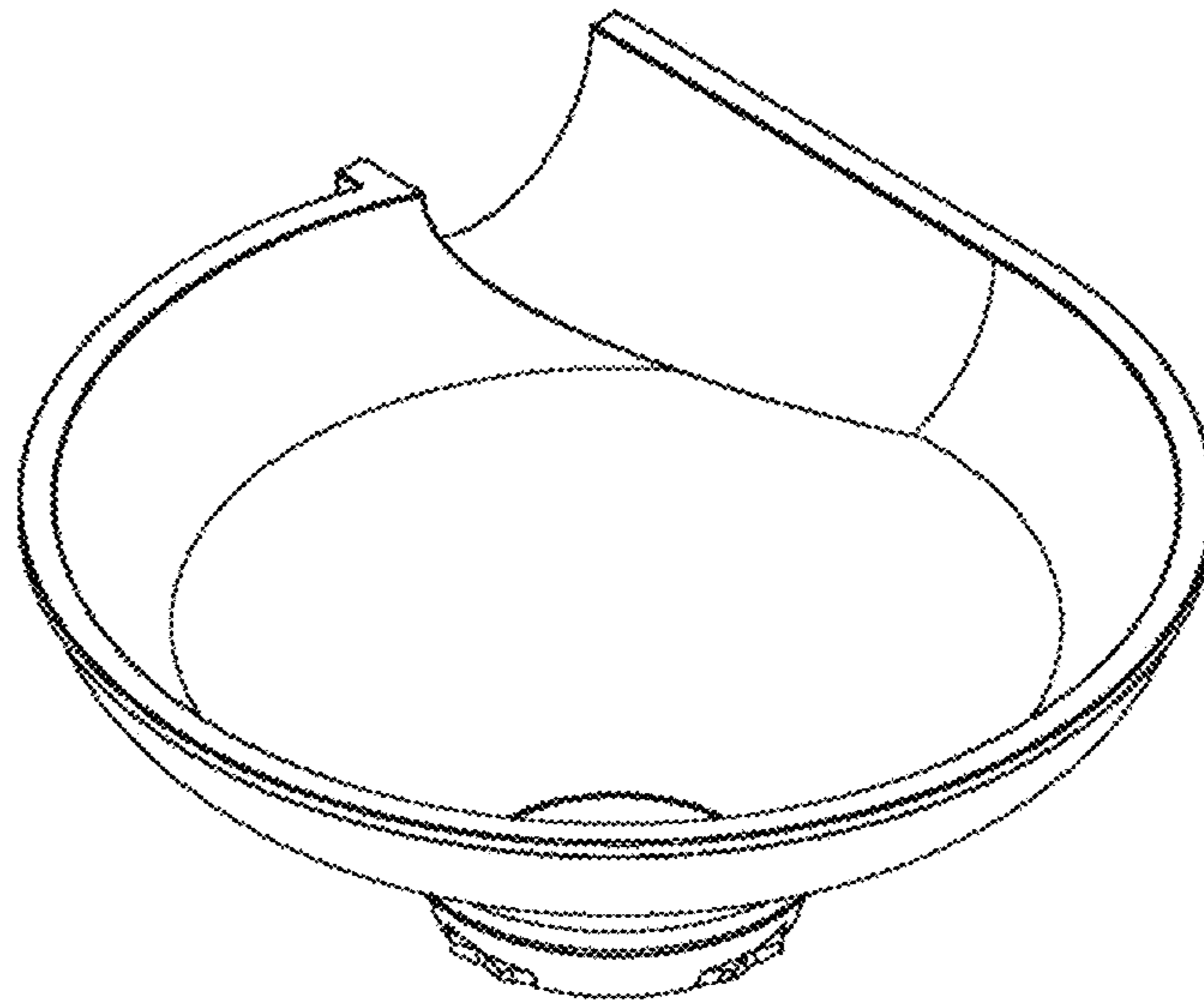
1 Claim, 12 Drawing Sheets



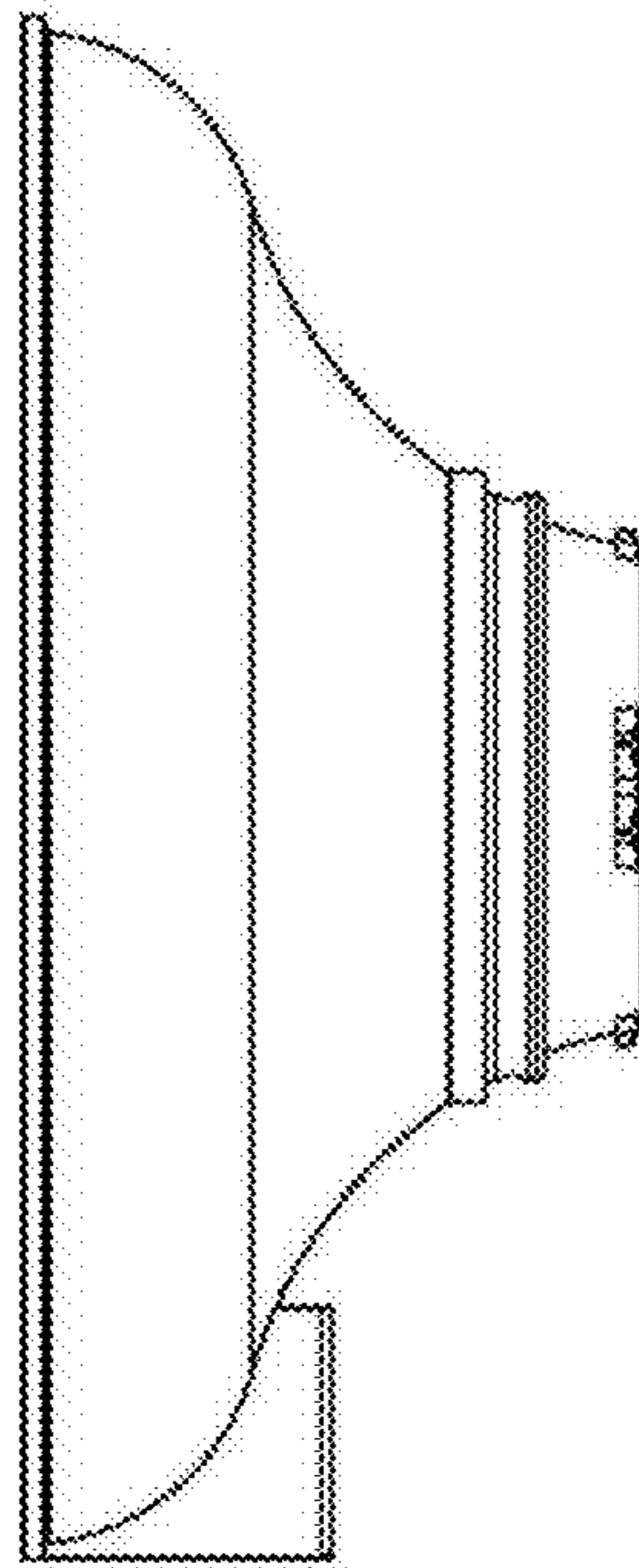
4.1



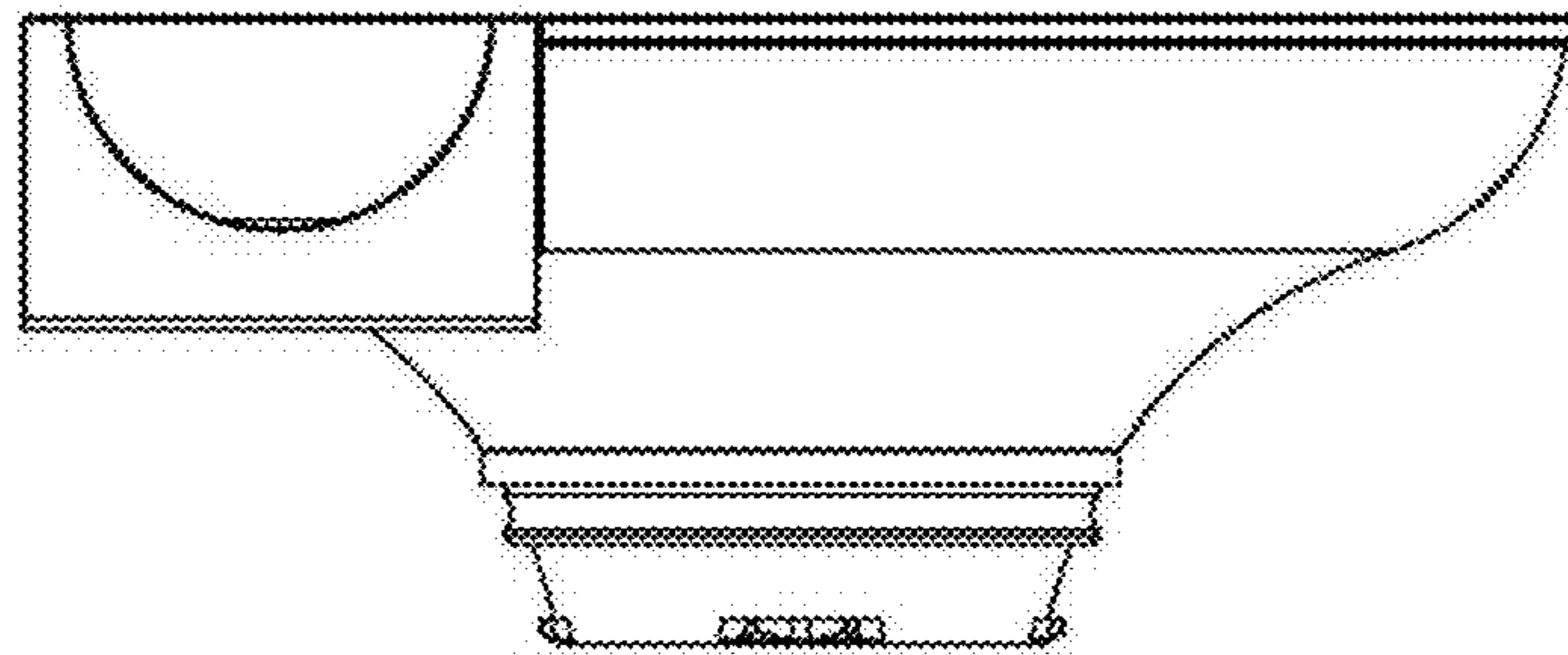
4.2



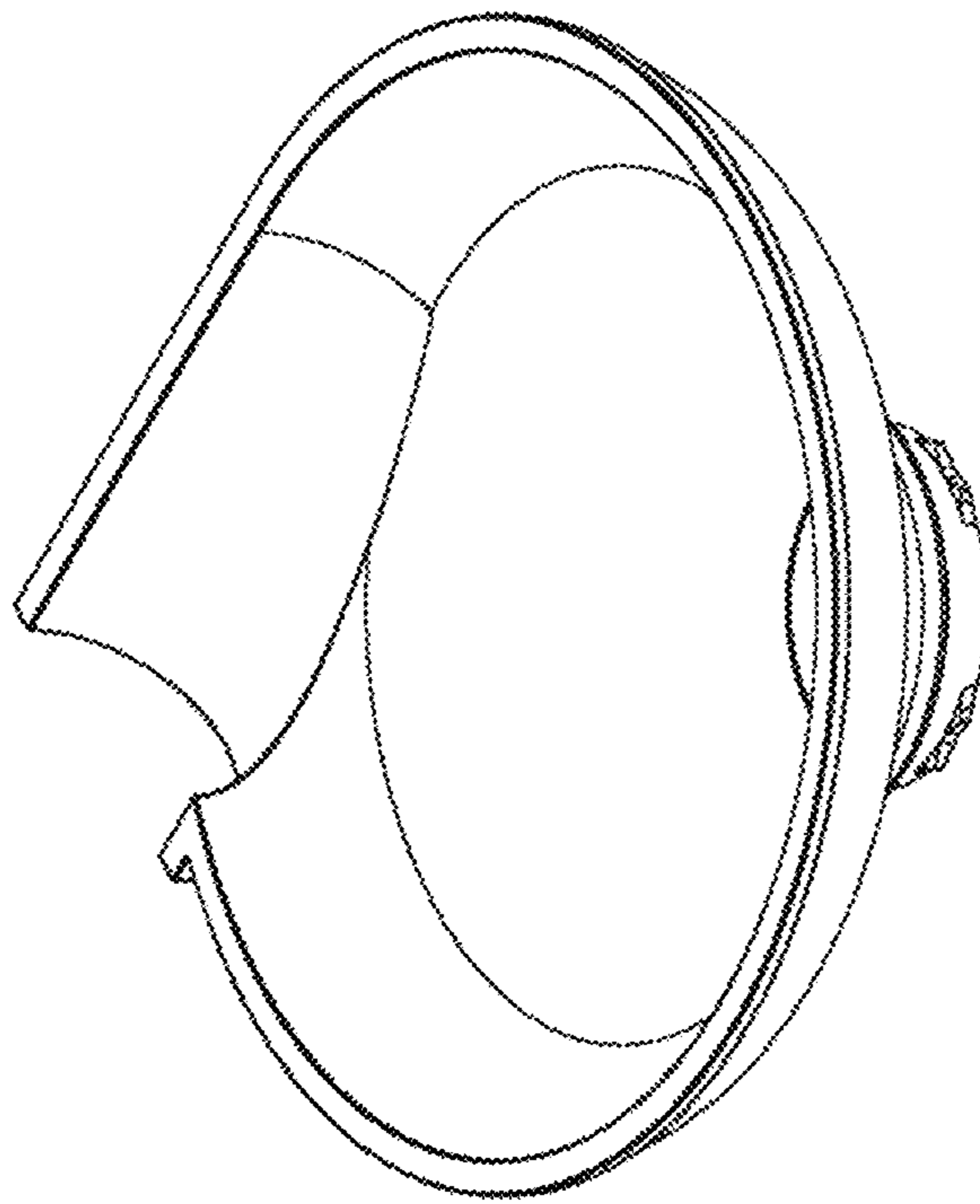
4.3



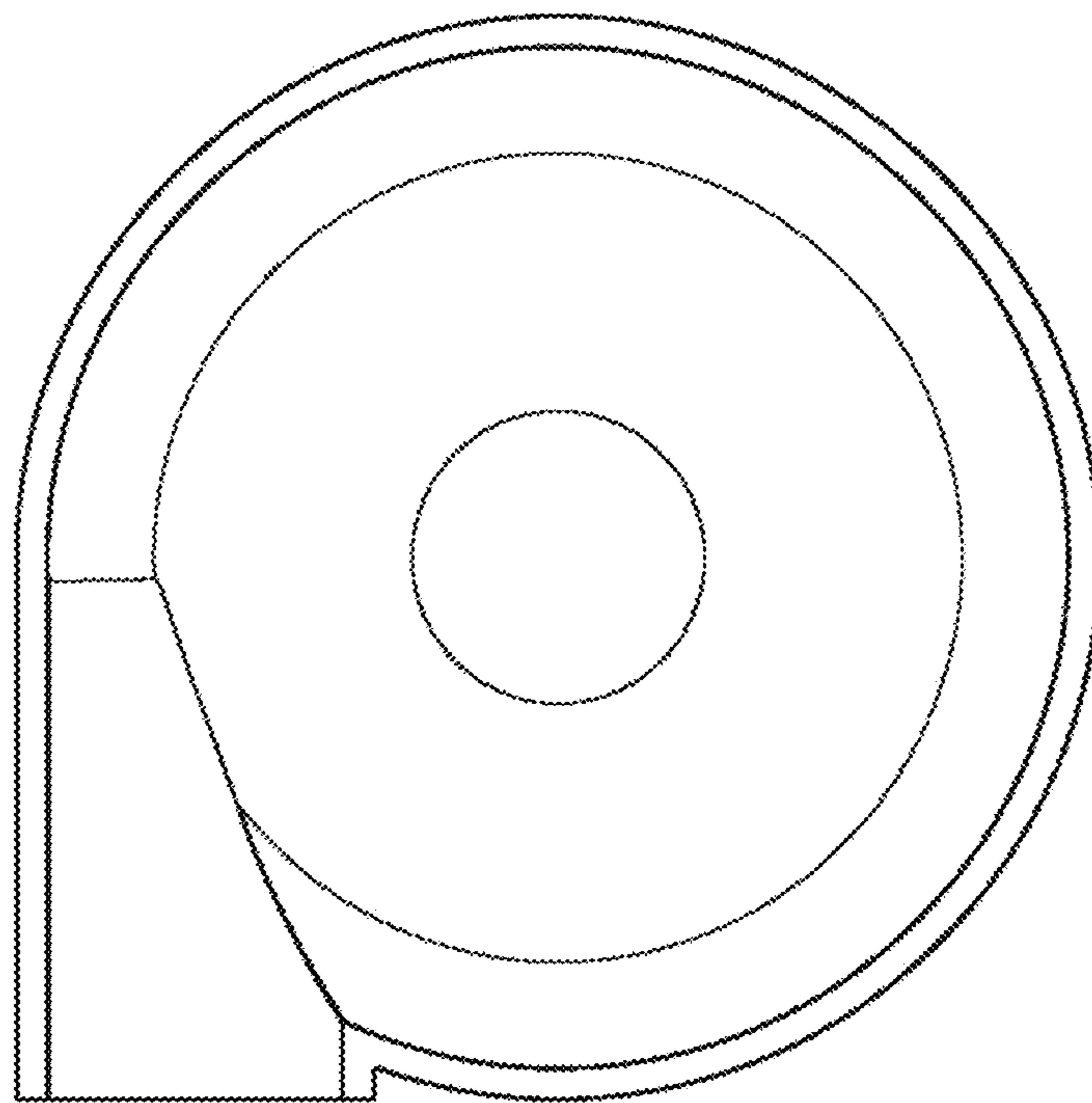
4.4



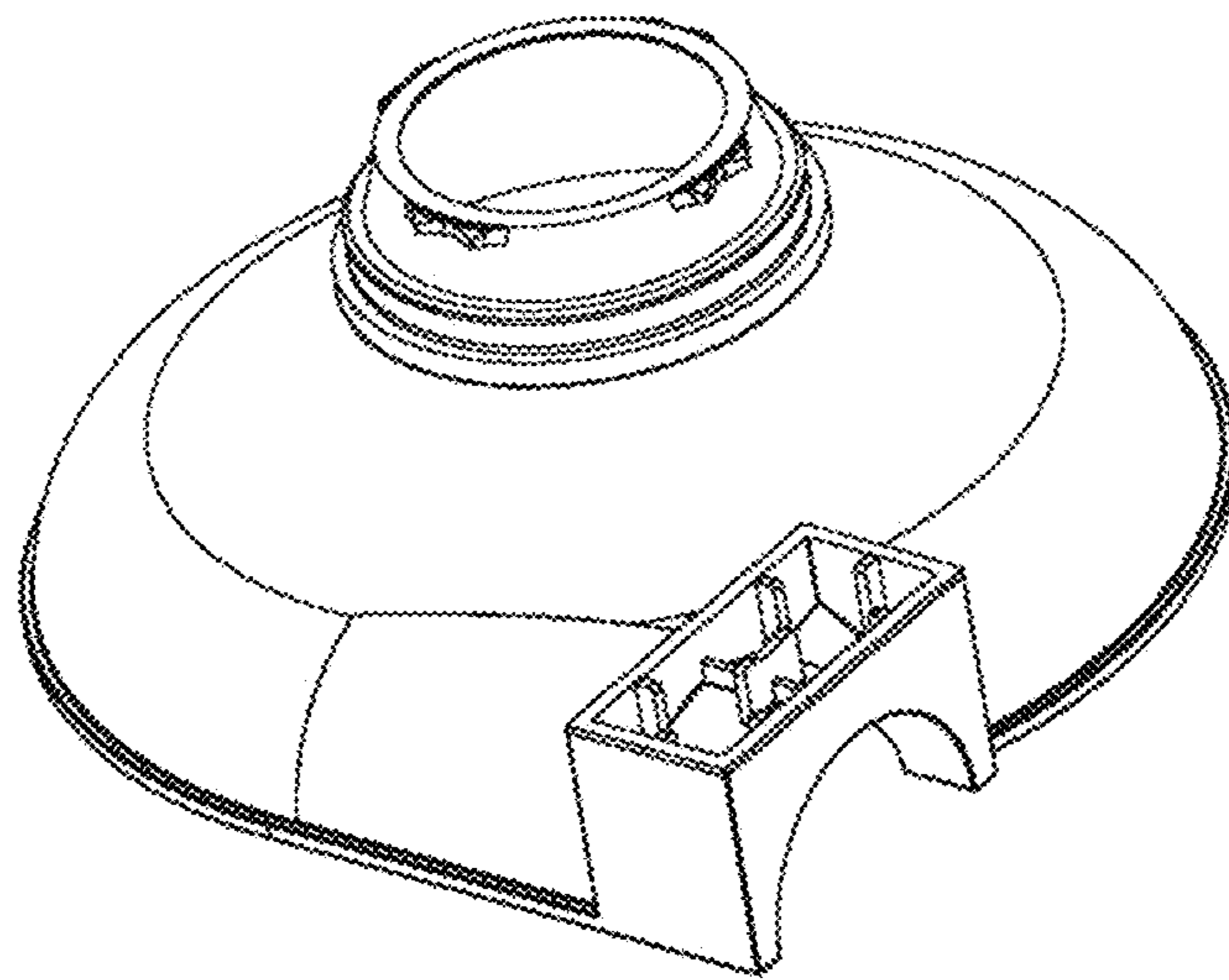
4.5



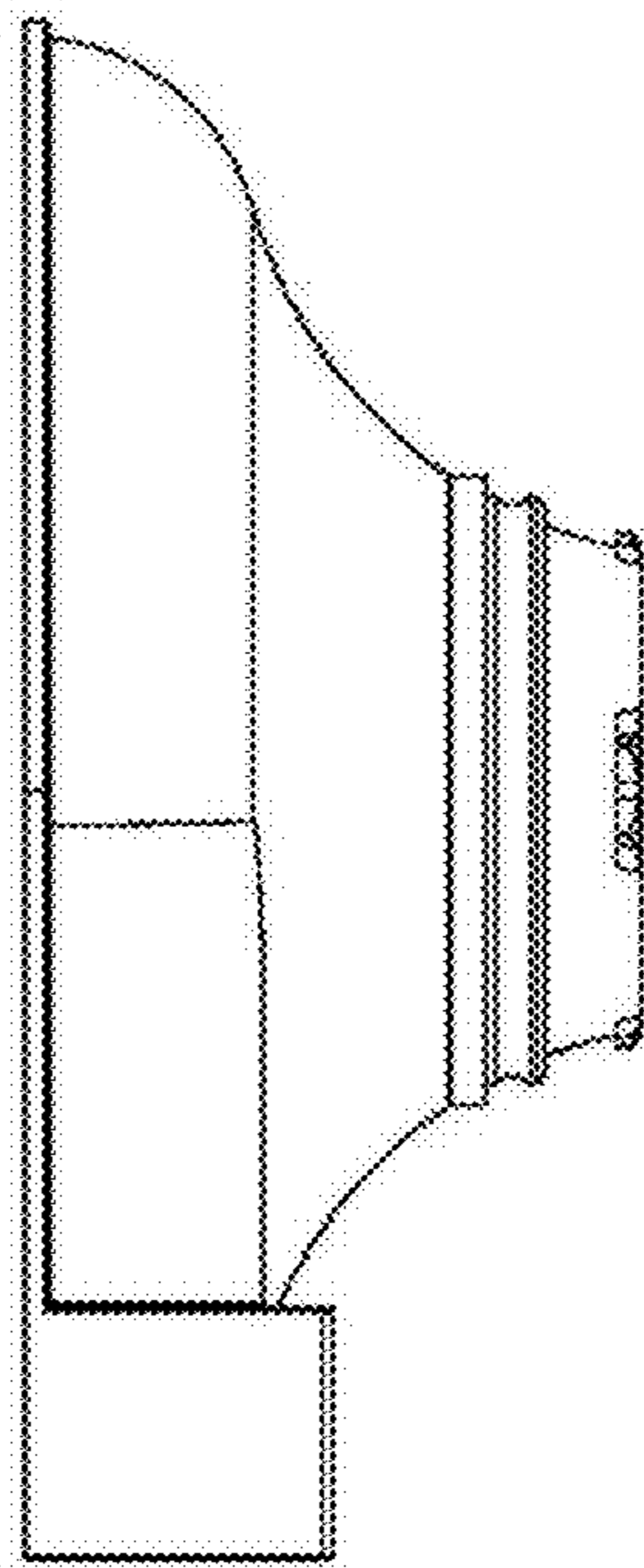
4.6



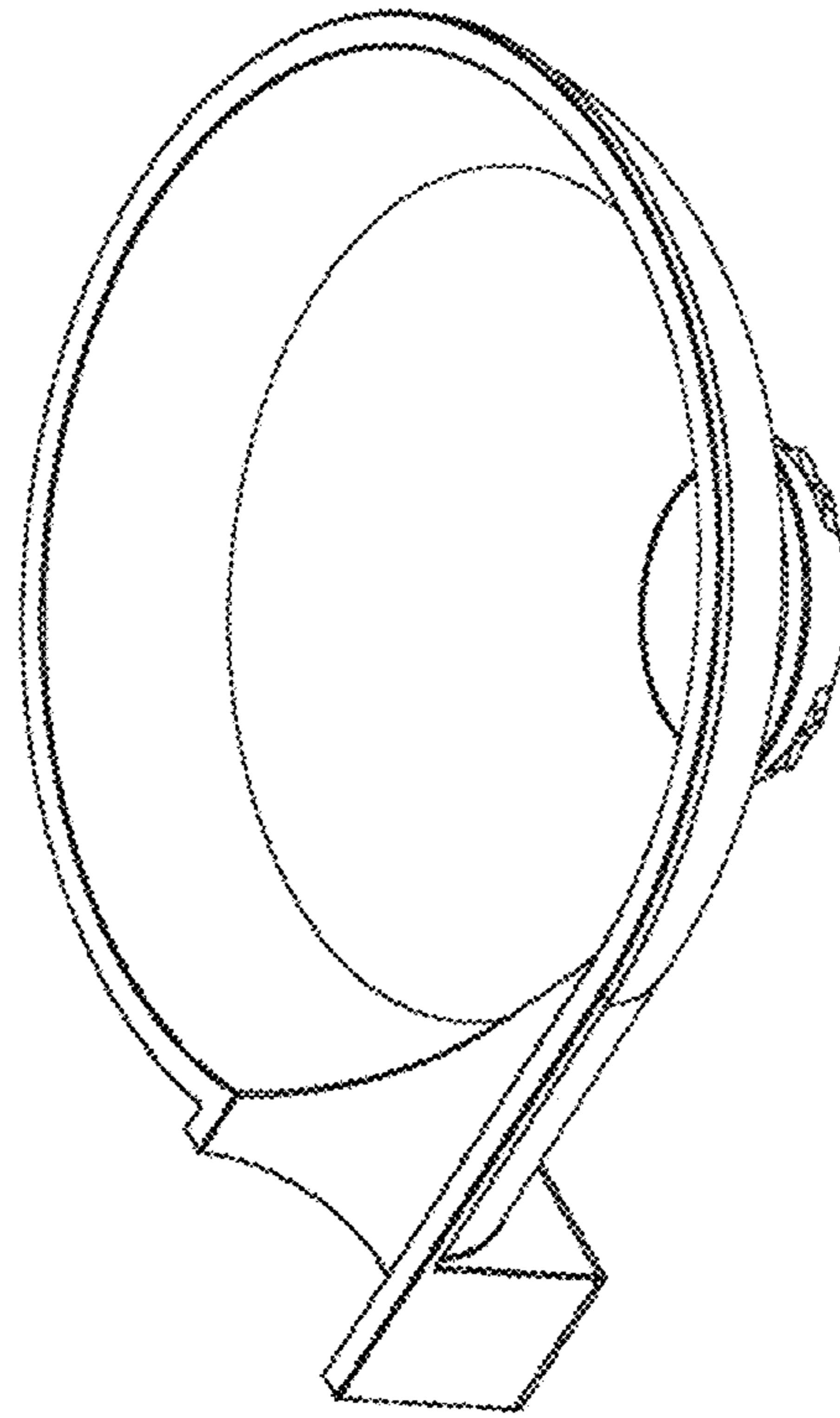
5.1



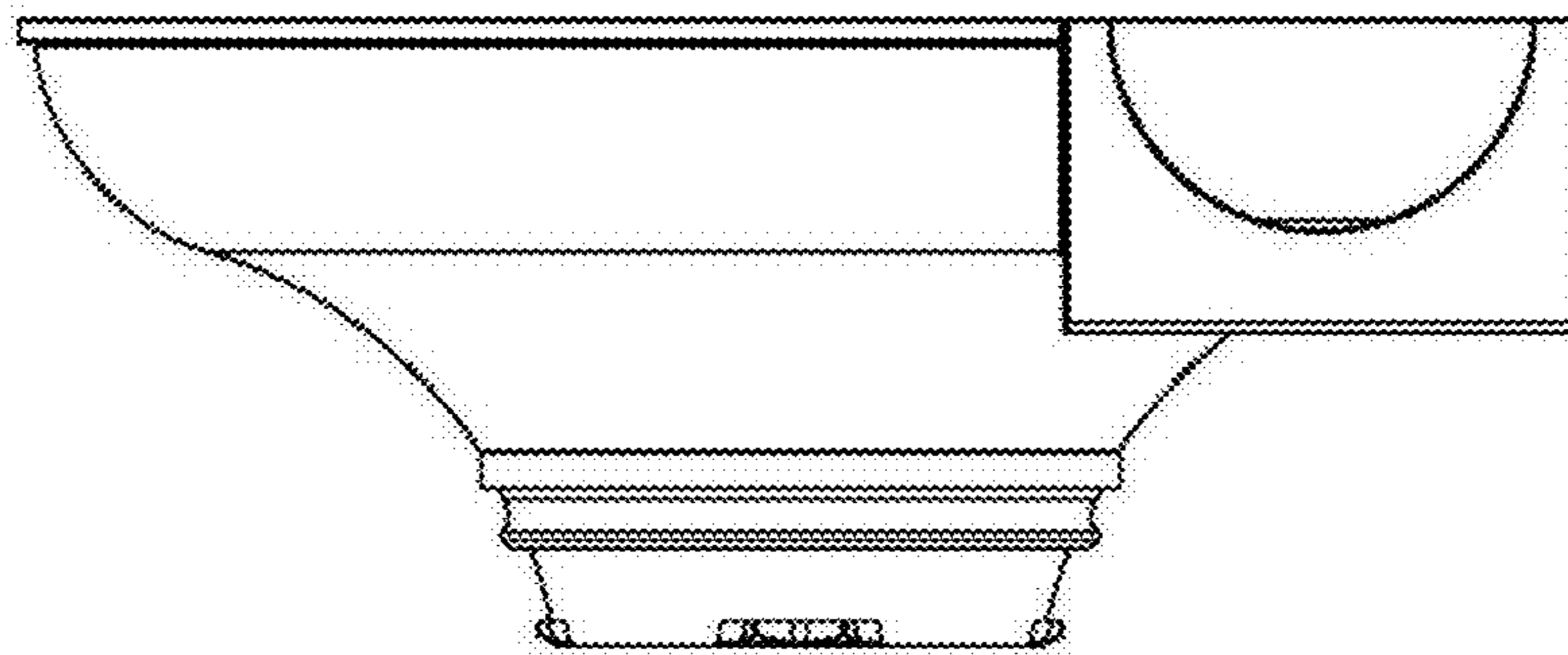
5.2



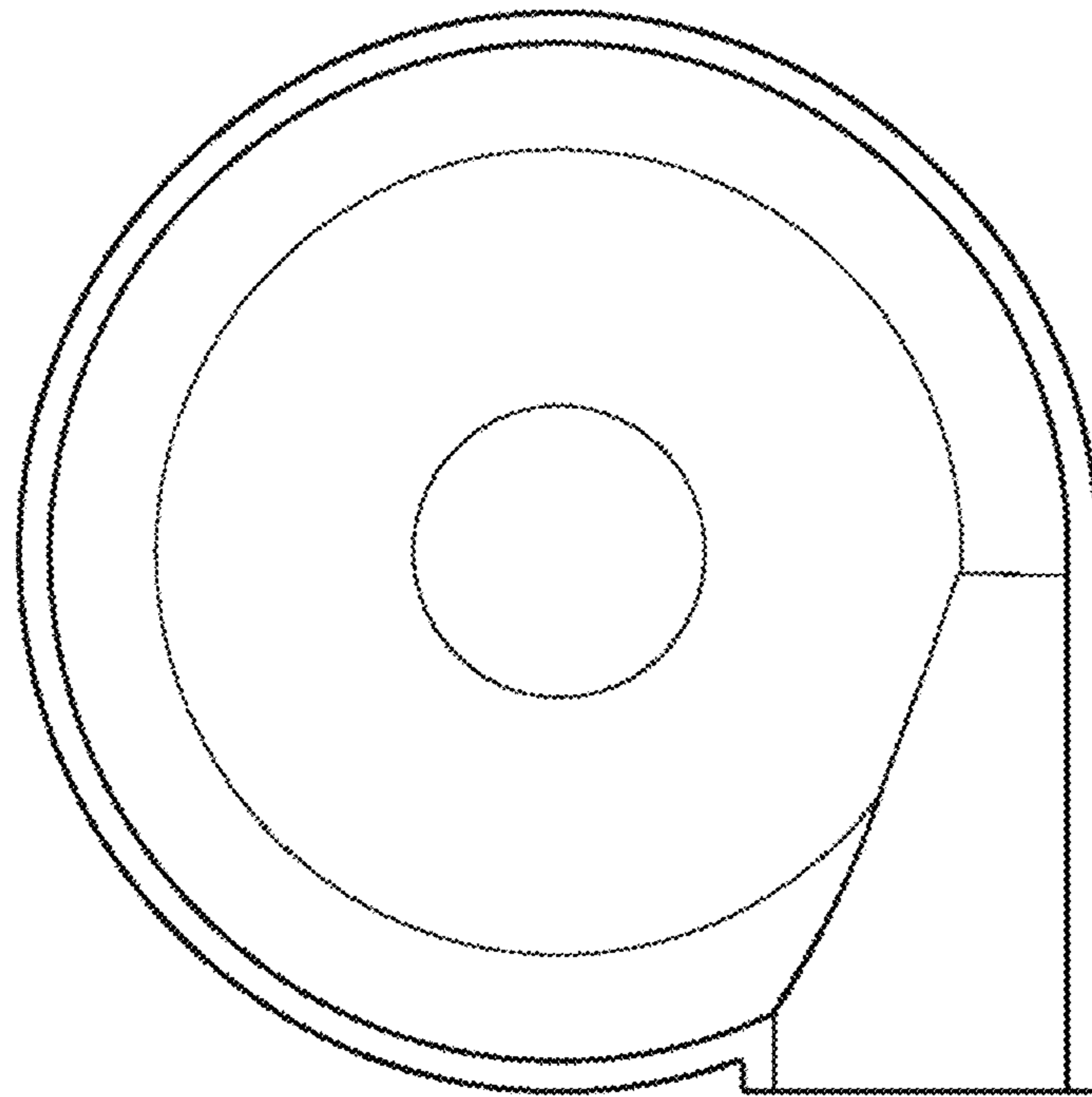
5.3



5.4



5.5



5.6

