



US00D946663S

(12) **United States Design Patent**  
**Zekelman et al.**

(10) **Patent No.:** **US D946,663 S**

(45) **Date of Patent:** **\*\* Mar. 22, 2022**

(54) **WAND**

(71) Applicant: **Tangible Play, Inc.**, Palo Alto, CA (US)

(72) Inventors: **Ariel Zekelman**, Palo Alto, CA (US); **Vivardhan Kanoria**, Mountain View, CA (US); **Jon Karl Dukerschein**, Pacifica, CA (US); **Bryan Cash**, Palo Alto, CA (US)

(73) Assignee: **Tangible Play, Inc.**, Palo Alto, CA (US)

(\*\*) Term: **15 Years**

(21) Appl. No.: **29/710,509**

(22) Filed: **Oct. 24, 2019**

(51) **LOC (13) Cl.** ..... **21-02**

(52) **U.S. Cl.**  
USPC ..... **D21/402; D21/812**

(58) **Field of Classification Search**  
USPC ..... D21/811, 812, 402, 398  
CPC ..... A63H 33/00; A63H 33/22; A63H 33/28  
See application file for complete search history.

(56) **References Cited**

**U.S. PATENT DOCUMENTS**

D233,903 S	*	12/1974	Kort	.....	D21/402
D322,995 S	*	1/1992	Clark	.....	D21/400
D352,073 S	*	11/1994	Rissman	.....	D21/402
D352,334 S	*	11/1994	Rissman	.....	D21/402

D354,317 S	*	1/1995	Prothro	.....	D21/400
D572,771 S	*	7/2008	Styles	.....	D21/402
D837,893 S	*	1/2019	Hornsby	.....	D21/398
D837,894 S	*	1/2019	Hornsby	.....	D21/398
D837,895 S	*	1/2019	Hornsby	.....	D21/398
D837,896 S	*	1/2019	Hornsby	.....	D21/398
D841,105 S	*	2/2019	VanNatta	.....	D21/780
D847,267 S	*	4/2019	Gold	.....	D21/405
D865,871 S	*	11/2019	Fernandez-Katz	.....	D21/333
D880,621 S	*	4/2020	Craig	.....	D21/398
D901,594 S	*	11/2020	Chen	.....	D21/402
2002/0058459 A1	*	5/2002	Holt	.....	A63H 33/22 446/484
2019/0196609 A1	*	6/2019	Aube	.....	G06F 9/453

\* cited by examiner

*Primary Examiner* — Mitchell I. Siegel

(74) *Attorney, Agent, or Firm* — VLP Law Group LLP; Michel Bohn

(57) **CLAIM**

The ornamental design for a wand, as shown and described.

**DESCRIPTION**

FIG. 1 is a front, left perspective view of a wand according to the embodiment.

FIG. 2 is a bottom, rear perspective view thereof.

FIG. 3 is a top view thereof.

FIG. 4 is a bottom view thereof.

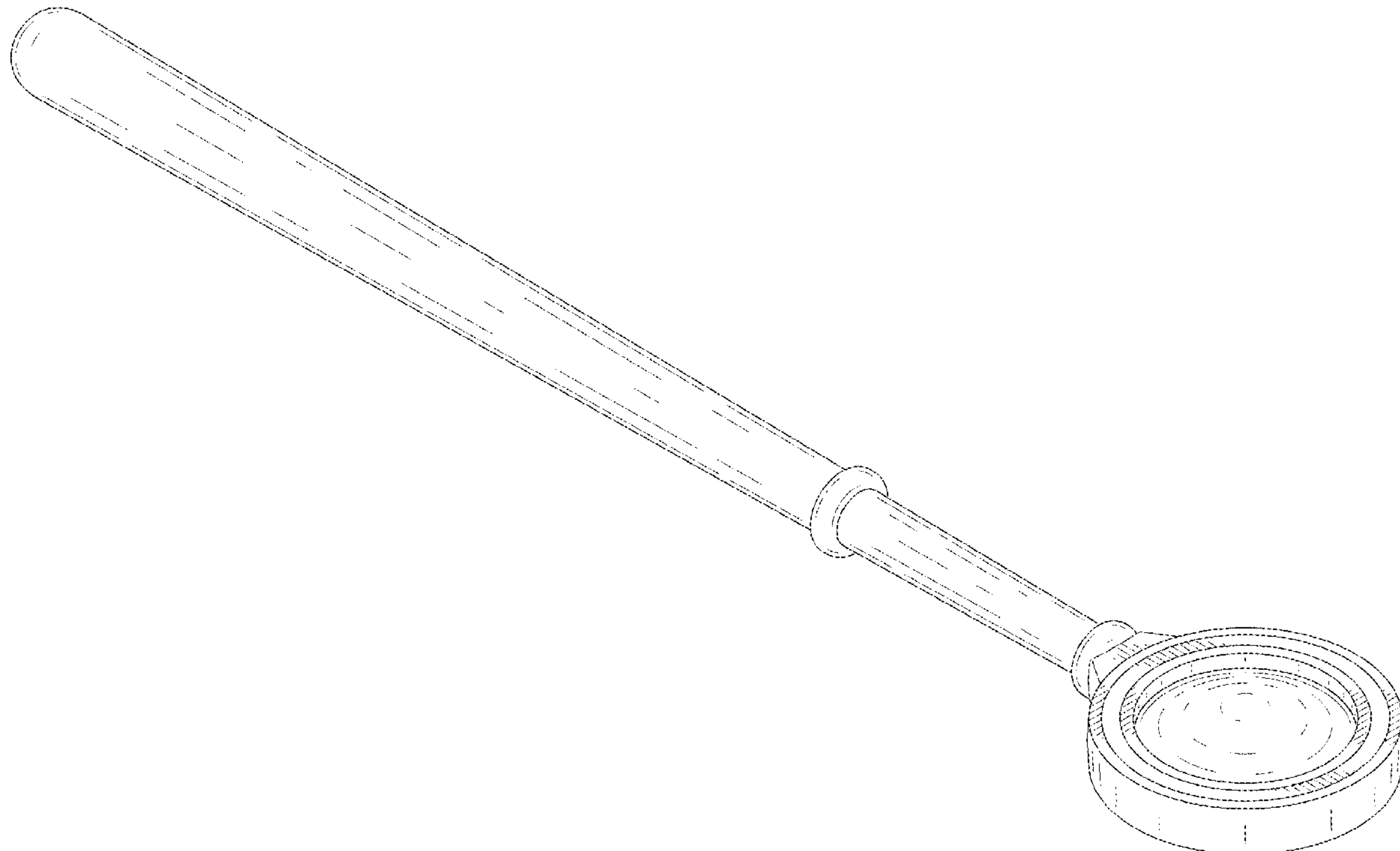
FIG. 5 is a left side view thereof

FIG. 6 is a right side view thereof

FIG. 7 is a front view thereof; and,

FIG. 8 is a rear view thereof.

**1 Claim, 5 Drawing Sheets**



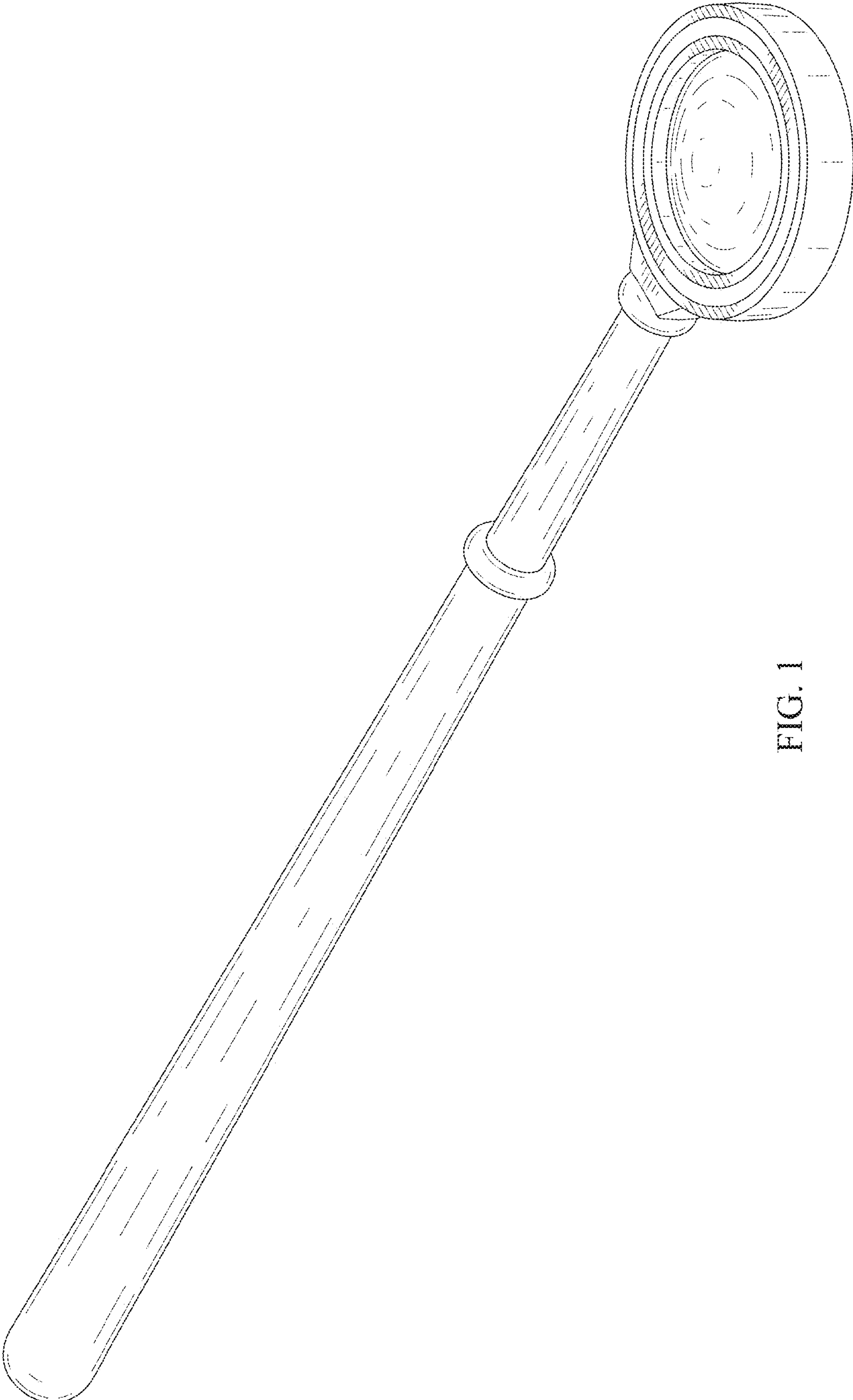


FIG. 1

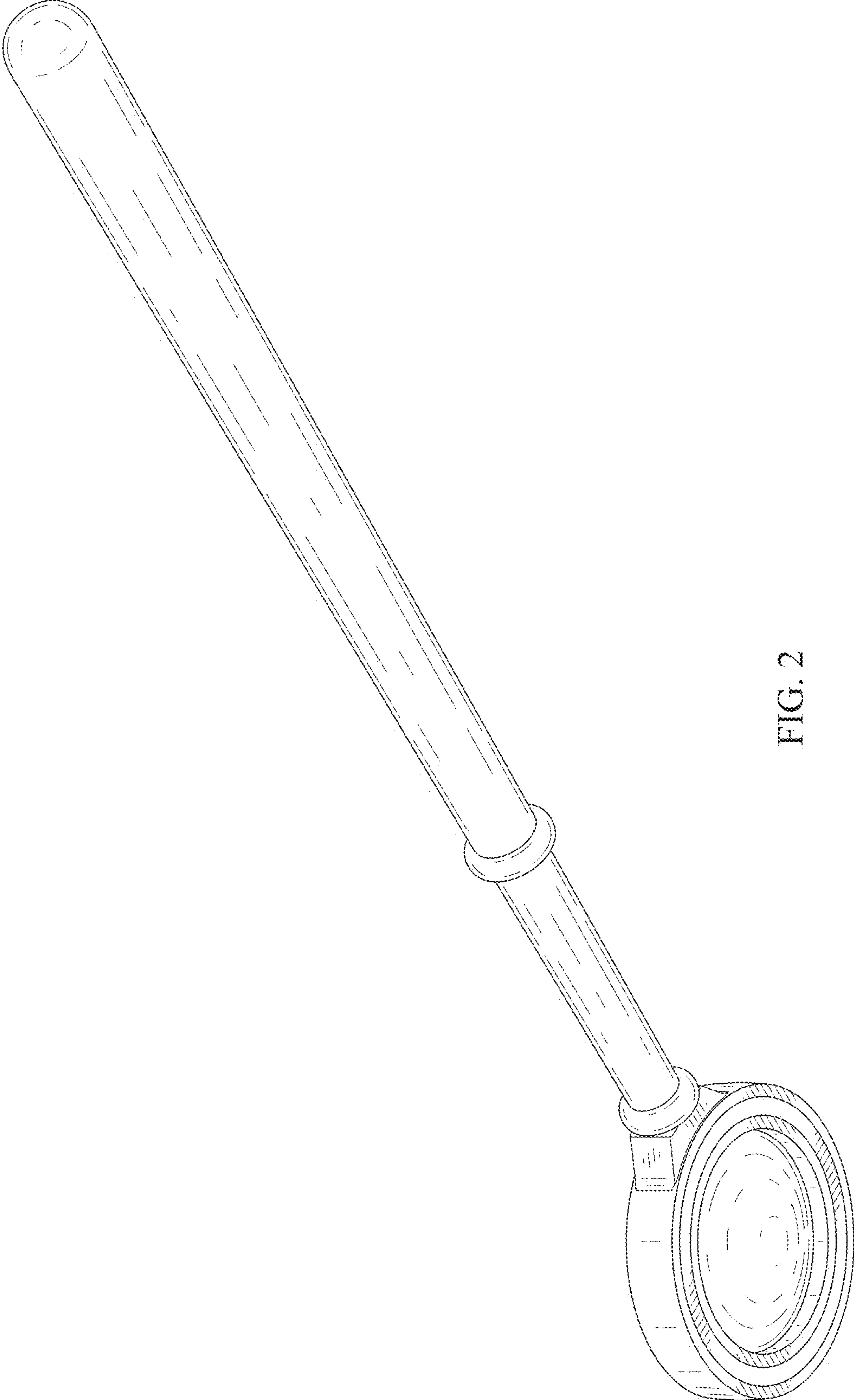


FIG. 2

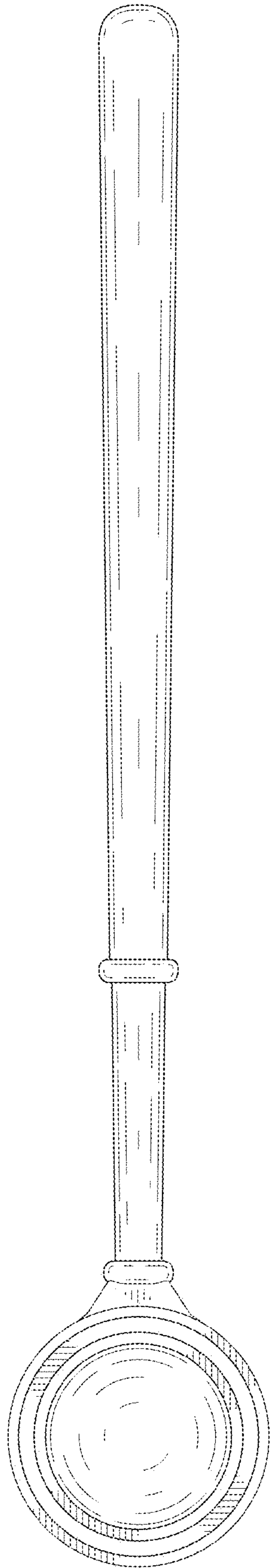


FIG. 3

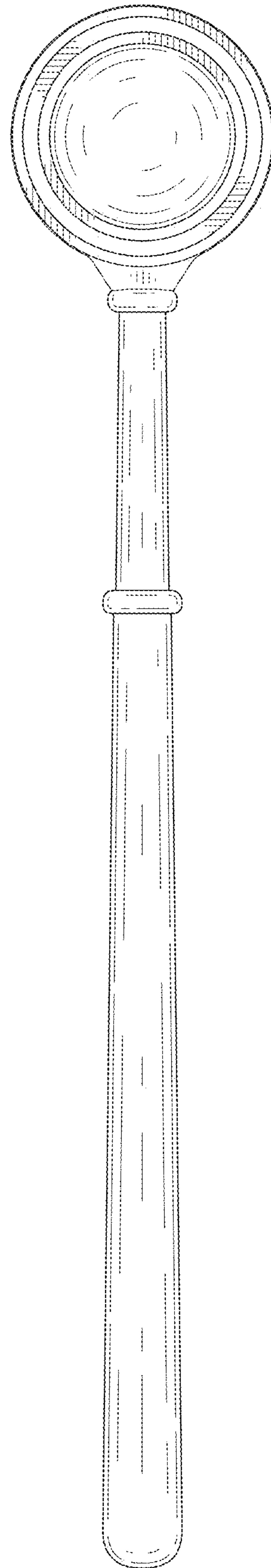


FIG. 4

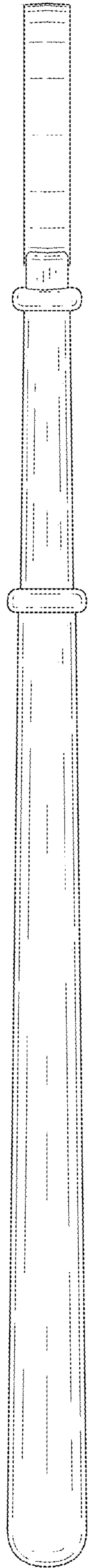


FIG. 5

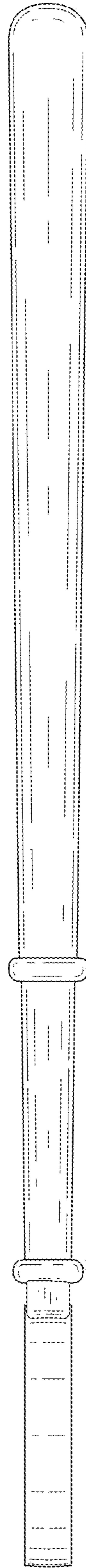


FIG. 6

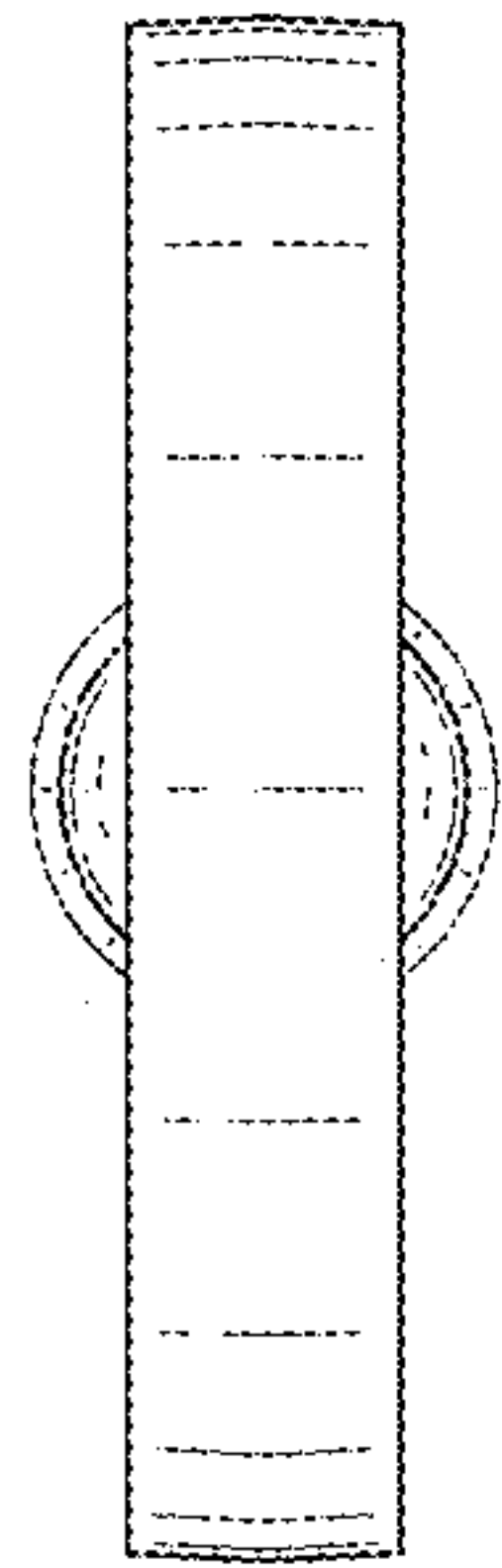


FIG. 7

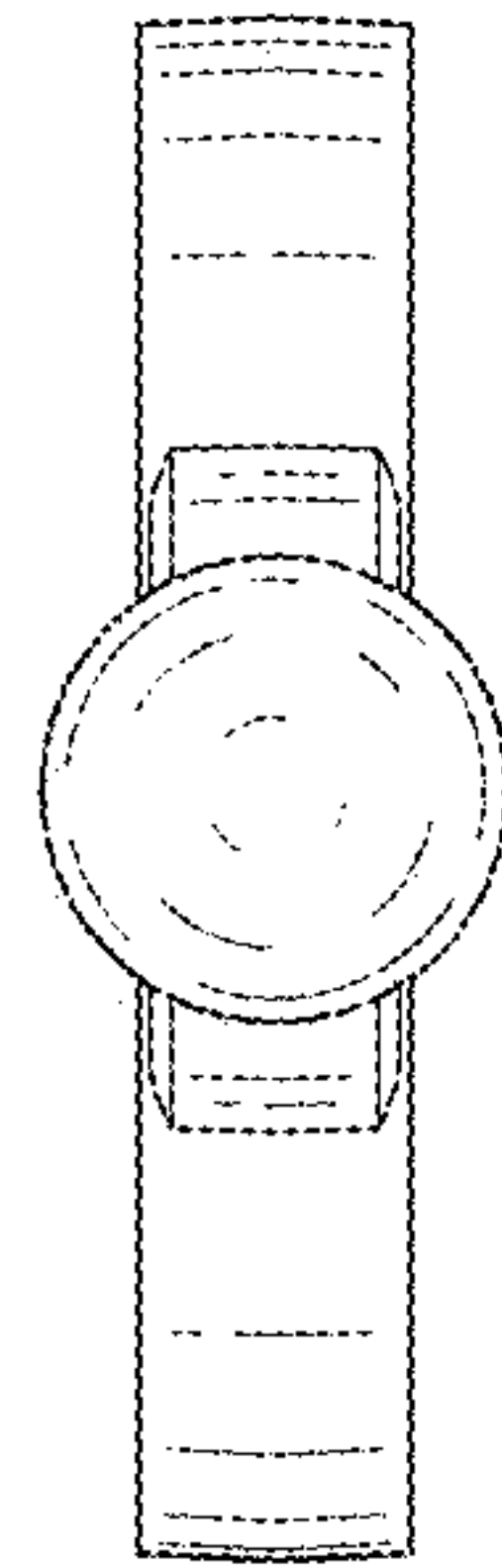


FIG. 8