



US00D946661S

(12) **United States Design Patent** (10) **Patent No.:** **US D946,661 S**  
**Thompson** (45) **Date of Patent:** **\*\* Mar. 22, 2022**

(54) **GAMING MACHINE**

FOREIGN PATENT DOCUMENTS

(71) Applicant: **Aristocrat Technologies Australia Pty Limited**, North Ryde (AU)

JP 2003519810 6/2003  
JP 2011232717 11/2011

(Continued)

(72) Inventor: **David Thompson**, Narrabeen (AU)

OTHER PUBLICATIONS

(73) Assignee: **Aristocrat Technologies Australia Pty Limited**, North Ryde (AU)

Office Action dated Apr. 15, 2020 for U.S. Appl. No. 16/250,588 (pp. 1-14).

(\*\*) Term: **15 Years**

(Continued)

(21) Appl. No.: **29/677,317**

*Primary Examiner* — Ryan Harvey

(22) Filed: **Jan. 18, 2019**

(74) *Attorney, Agent, or Firm* — McAndrews, Held & Malloy, Ltd.

(51) **LOC (13) Cl.** ..... **21-01**

(52) **U.S. Cl.**  
USPC ..... **D21/369**

(57) **CLAIM**

(58) **Field of Classification Search**  
USPC ..... D21/369, 307, 325, 370, 306, 385, 333;  
D14/341; 463/20, 23

The ornamental design for a gaming machine, as shown and described.

CPC ..... G07F 17/34; G07F 17/32; G07F 17/3267;  
G07F 17/3211; G07F 17/3213; G07F  
17/3202; G07F 17/3227; A63F 9/24

**DESCRIPTION**

See application file for complete search history.

FIG. 1 is a front perspective view of a gaming machine showing my design;  
FIG. 2 is a front elevation view thereof;  
FIG. 3 is a rear elevation view thereof;  
FIG. 4 is a right side elevation view thereof;  
FIG. 5 is a left side elevation view thereof;  
FIG. 6 is a top plan view thereof;  
FIG. 7 is a bottom plan view thereof;  
FIG. 8 is a rear perspective view thereof; and,  
FIG. 9 is the front perspective view of FIG. 1, showing a light frame of the gaming machine in an illuminated state. The radiating lines in FIG. 9 illustrate the glowing visual effect created by light emanating from the light frame of the gaming machine, and form no part of the claimed design. The dashed broken lines in the drawings illustrate portions of the gaming machine that form no part of the claimed design.

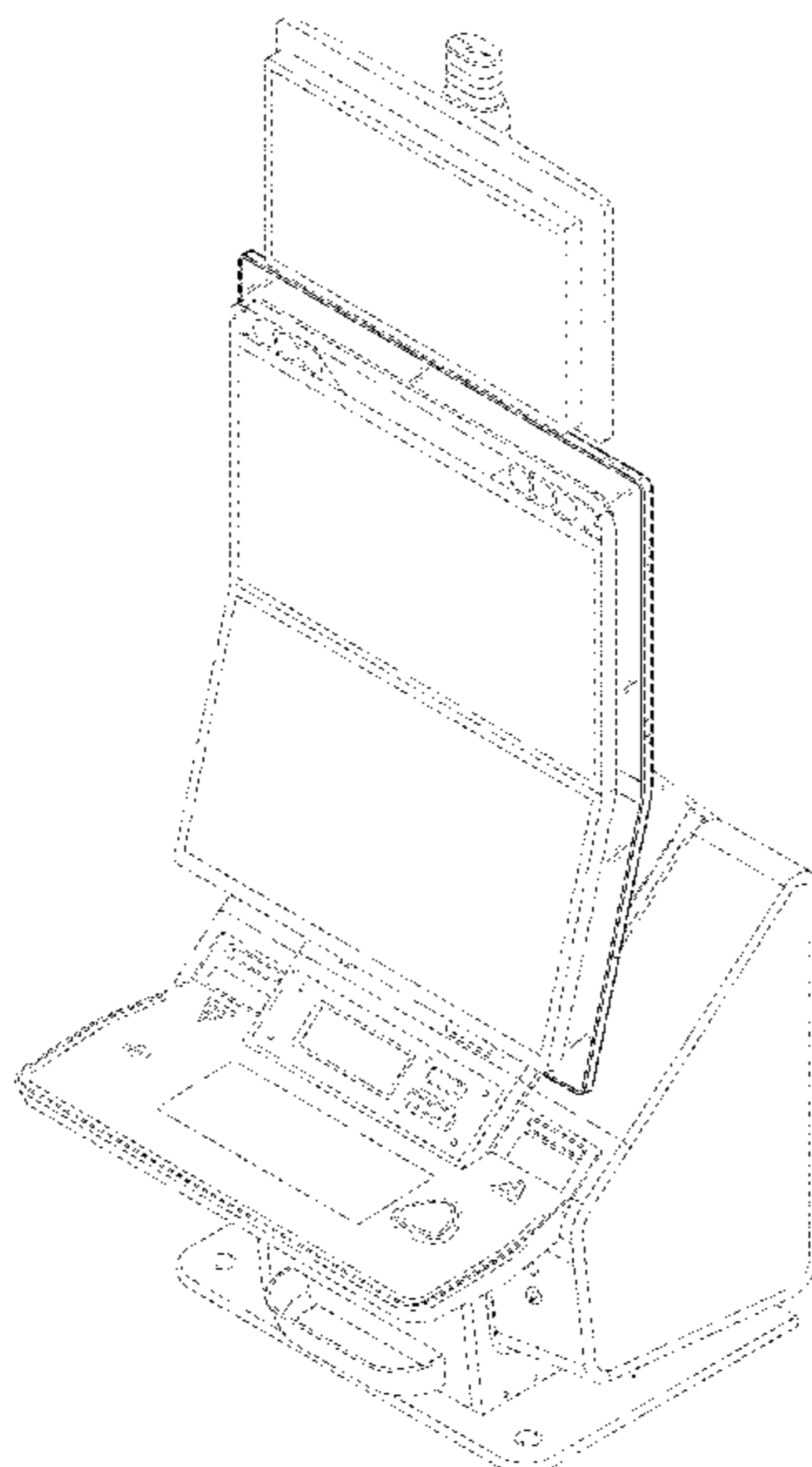
(56) **References Cited**

U.S. PATENT DOCUMENTS

D275,117 S \* 8/1984 Heywood ..... D21/370  
D278,069 S \* 3/1985 Wichinsky ..... D21/370  
D415,124 S \* 10/1999 Rooyakkers ..... D14/306  
D428,864 S \* 8/2000 Rooyakkers ..... D14/306  
D481,078 S \* 10/2003 Stephan ..... D21/369  
D492,676 S \* 7/2004 Monson ..... D14/306  
D508,269 S \* 8/2005 Wichinsky ..... D21/325  
D508,719 S \* 8/2005 de Haas ..... D21/325  
D513,044 S \* 12/2005 Morrison ..... D21/370  
7,442,125 B2 10/2008 Paulsen  
D604,773 S \* 11/2009 De Viveiros Ortiz ..... D21/325  
D612,432 S \* 3/2010 De Viveiros Ortiz ..... D21/325  
D619,177 S \* 7/2010 Lee ..... D21/325

(Continued)

**1 Claim, 9 Drawing Sheets**



(56)

References Cited

U.S. PATENT DOCUMENTS

D619,660 S \* 7/2010 Cole ..... D21/370  
 D695,733 S \* 12/2013 Damhuis ..... D14/307  
 9,626,825 B2 4/2017 Sugiyama  
 9,679,435 B2 \* 6/2017 Schrementi ..... G07F 17/3216  
 9,798,063 B2 10/2017 Shinohara  
 D803,323 S \* 11/2017 Bussey ..... D21/369  
 9,864,128 B2 1/2018 Takagi  
 9,869,812 B2 1/2018 Takagi et al.  
 9,875,599 B2 1/2018 Onitsuka  
 9,972,164 B2 5/2018 Muraoka  
 10,031,274 B2 7/2018 Muraoka  
 D846,649 S \* 4/2019 Schoonmaker ..... D21/369  
 10,354,494 B2 \* 7/2019 Hartl ..... G07F 17/3267  
 10,424,149 B1 \* 9/2019 Halvorson ..... G07F 17/3213  
 D865,066 S \* 10/2019 Ortiz De Viveiros ..... D21/369  
 D868,165 S \* 11/2019 Ortiz De Viveiros ..... D21/369  
 D870,818 S \* 12/2019 Curbun ..... D21/369  
 10,506,730 B2 \* 12/2019 Wand ..... H05K 5/0234  
 D880,604 S \* 4/2020 Olive ..... D21/369  
 D888,159 S \* 6/2020 Schoonmaker ..... D21/369  
 D889,553 S \* 7/2020 Glenn, II ..... D21/369  
 D890,849 S \* 7/2020 Johnson ..... D21/369  
 D897,438 S \* 9/2020 Olive ..... D21/333  
 D907,127 S \* 1/2021 Olive ..... D21/385  
 D907,710 S \* 1/2021 DeMarco ..... D21/369  
 D907,712 S \* 1/2021 DeMarco ..... D21/369  
 D907,716 S \* 1/2021 DeMarco ..... D21/369  
 D910,117 S \* 2/2021 DeMarco ..... D21/369  
 D910,118 S \* 2/2021 DeMarco ..... D21/369  
 D910,120 S \* 2/2021 DeMarco ..... D21/369  
 D910,763 S \* 2/2021 DeMarco ..... D21/369  
 D914,808 S \* 3/2021 Loong ..... D21/370  
 10,943,428 B2 \* 3/2021 Ambrecht ..... G07F 17/3216  
 D918,303 S \* 5/2021 DeMarco ..... D21/369  
 2004/0223093 A1 11/2004 Nakayoshi et al.  
 2011/0096568 A1 4/2011 Schattinger  
 2013/0235617 A1 9/2013 Bussoli  
 2014/0342800 A1 11/2014 Kitamura  
 2015/0262449 A1 \* 9/2015 Meyer ..... G07F 17/326  
 463/20  
 2015/0310699 A1 \* 10/2015 Meyer ..... G07F 17/34  
 463/20  
 2016/0180656 A1 \* 6/2016 Loose ..... G07F 17/3241  
 463/20

2016/0377791 A1 12/2016 Muraoka et al.  
 2016/0379435 A1 12/2016 Muraoka  
 2017/0358171 A1 \* 12/2017 Akita ..... G07F 17/3213  
 2018/0047248 A1 \* 2/2018 Mizue ..... G07F 17/3225  
 2018/0129061 A1 5/2018 Shinohara  
 2018/0164492 A1 6/2018 Takagi  
 2018/0182201 A1 6/2018 Fujita  
 2018/0190068 A1 \* 7/2018 Priddy ..... G07F 17/3216  
 2018/0225930 A1 \* 8/2018 Efremescu ..... G07F 17/3213  
 2018/0330568 A1 11/2018 Glenn et al.  
 2019/0019370 A1 \* 1/2019 Ono ..... G07F 17/3211  
 2019/0096170 A1 \* 3/2019 Lewis ..... G07F 17/3216  
 2019/0096173 A1 \* 3/2019 Brandau ..... G07F 17/3241  
 2019/0102971 A1 \* 4/2019 Schoonmaker ..... F16M 11/06  
 2019/0287337 A1 \* 9/2019 Shiraishi ..... G07F 17/3267  
 2019/0295377 A1 \* 9/2019 Suda ..... G07F 17/3267  
 2019/0311570 A1 \* 10/2019 Lamb ..... G07F 17/34  
 2019/0347896 A1 \* 11/2019 Beria ..... G07F 17/3255  
 2020/0111291 A1 \* 4/2020 Pariseau ..... G07F 17/3213  
 2020/0111296 A1 \* 4/2020 Miura ..... G07F 17/34  
 2020/0111328 A1 \* 4/2020 Bland ..... G07F 17/3213  
 2021/0035402 A1 \* 2/2021 Rye ..... G07F 17/34  
 2021/0110635 A1 \* 4/2021 Yost ..... G07F 17/34  
 2021/0110642 A1 \* 4/2021 Ocampo ..... G07F 17/3216  
 2021/0110658 A1 \* 4/2021 Nauman ..... G07F 17/34  
 2021/0209893 A1 \* 7/2021 Rye ..... G07F 17/3241

FOREIGN PATENT DOCUMENTS

JP 2011244930 12/2011  
 JP 2015088489 5/2015

OTHER PUBLICATIONS

Office Action dated Apr. 13, 2020 for U.S. Appl. No. 16/425,155 (pp. 1-12).  
 Office Action dated Feb. 3, 2021 for U.S. Appl. No. 17/000,938 (pp. 1-13).  
 Notice of Allowance dated Jul. 8, 2020 for U.S. Appl. No. 16/250,588 (pp. 1-7).  
 Notice of Allowance dated Jul. 8, 2020 for U.S. Appl. No. 16/425,155 (pp. 1-7).  
 Notice of Allowance dated Apr. 26, 2021 for U.S. Appl. No. 17/000,938 (pp. 1-8).

\* cited by examiner

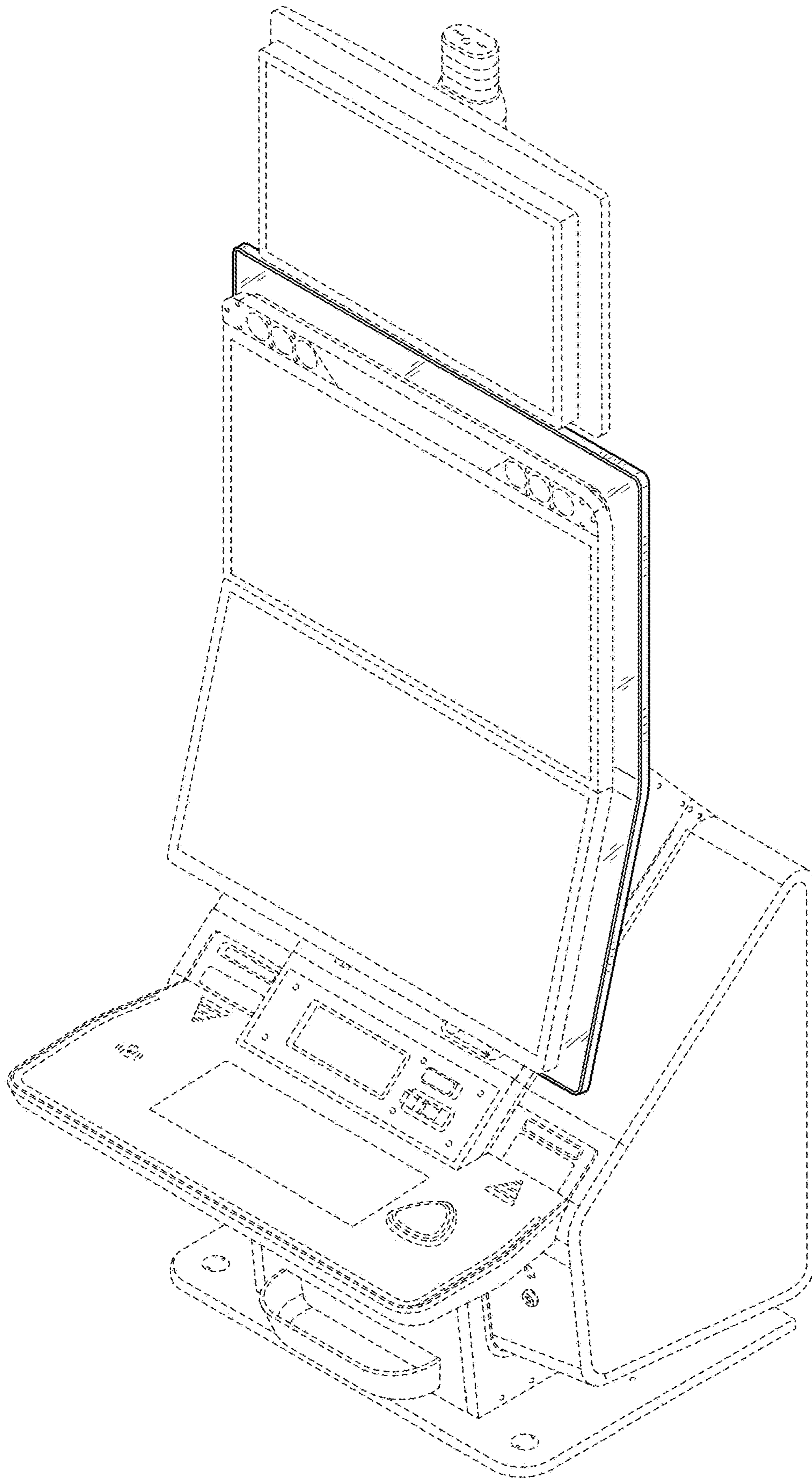


FIG. 1

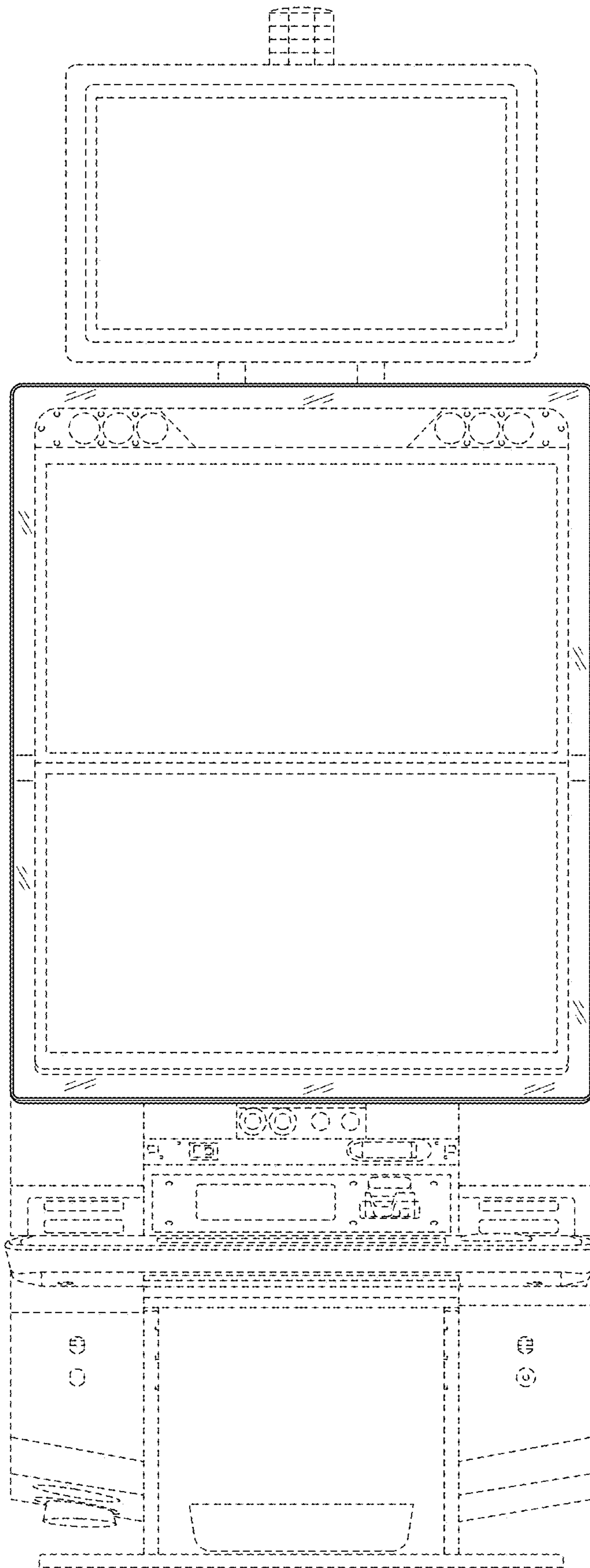


FIG. 2

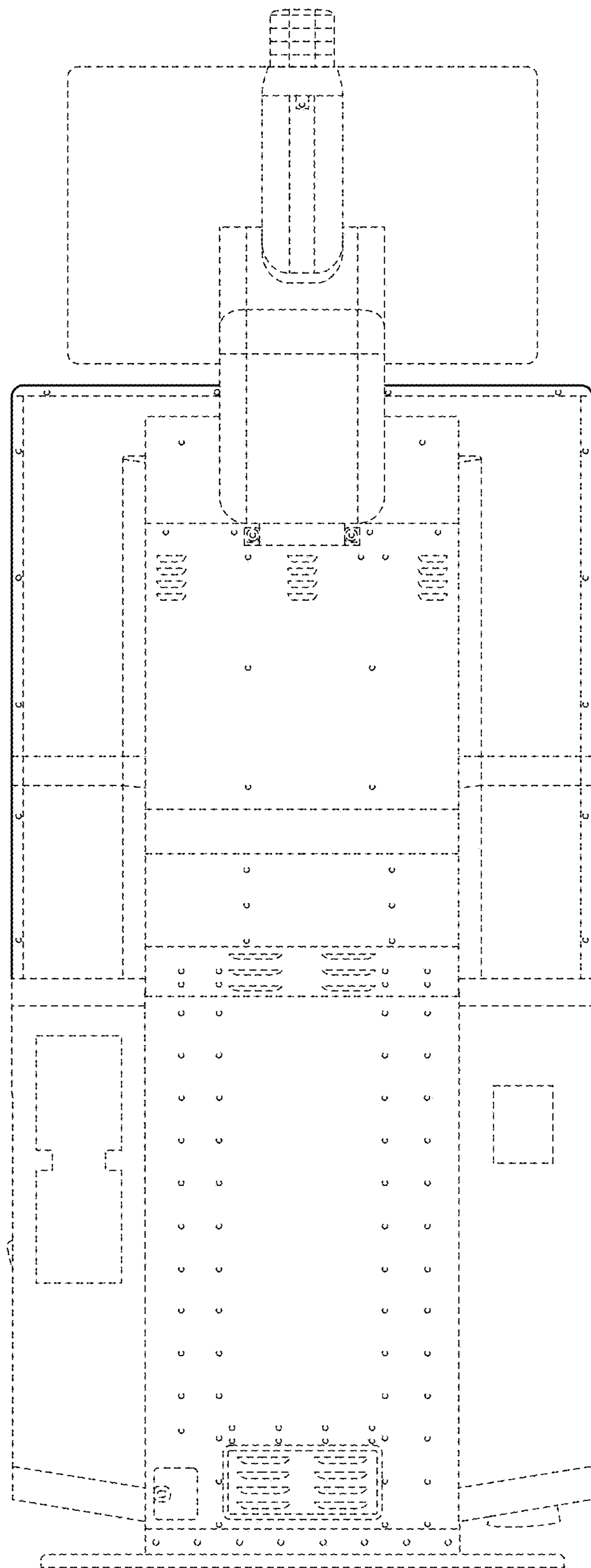


FIG. 3

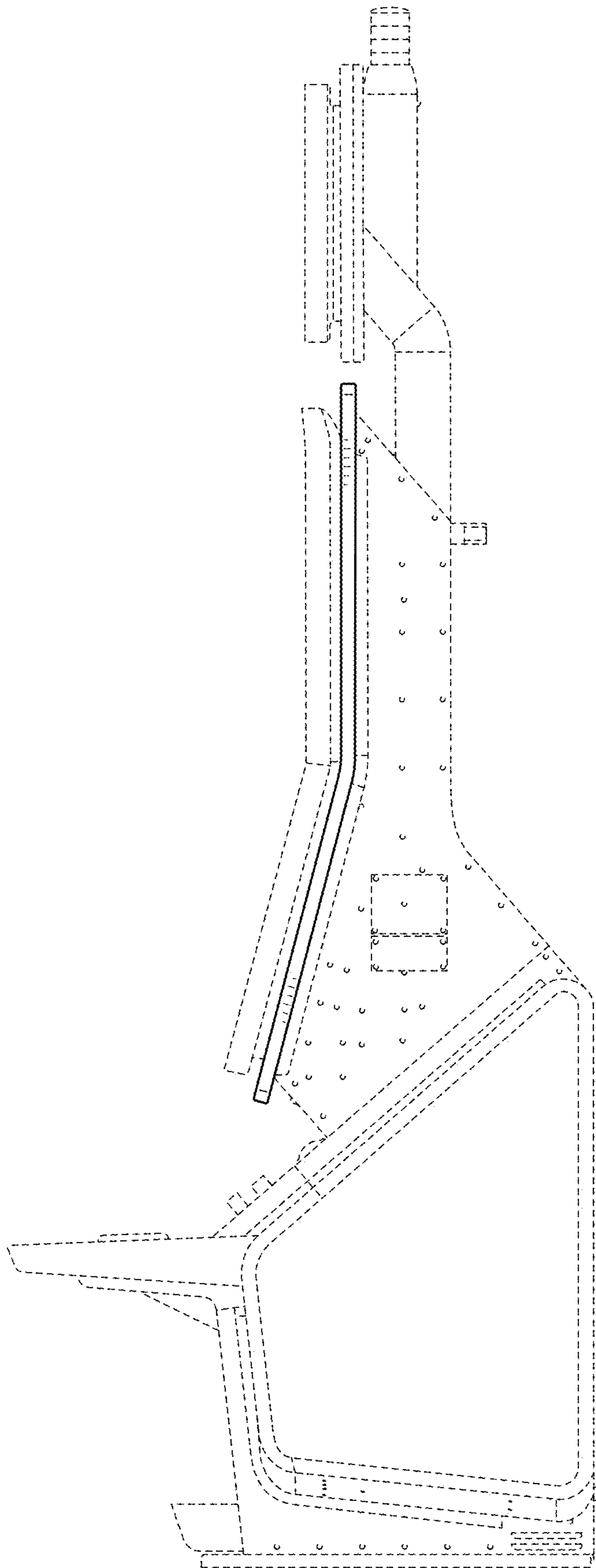


FIG. 4

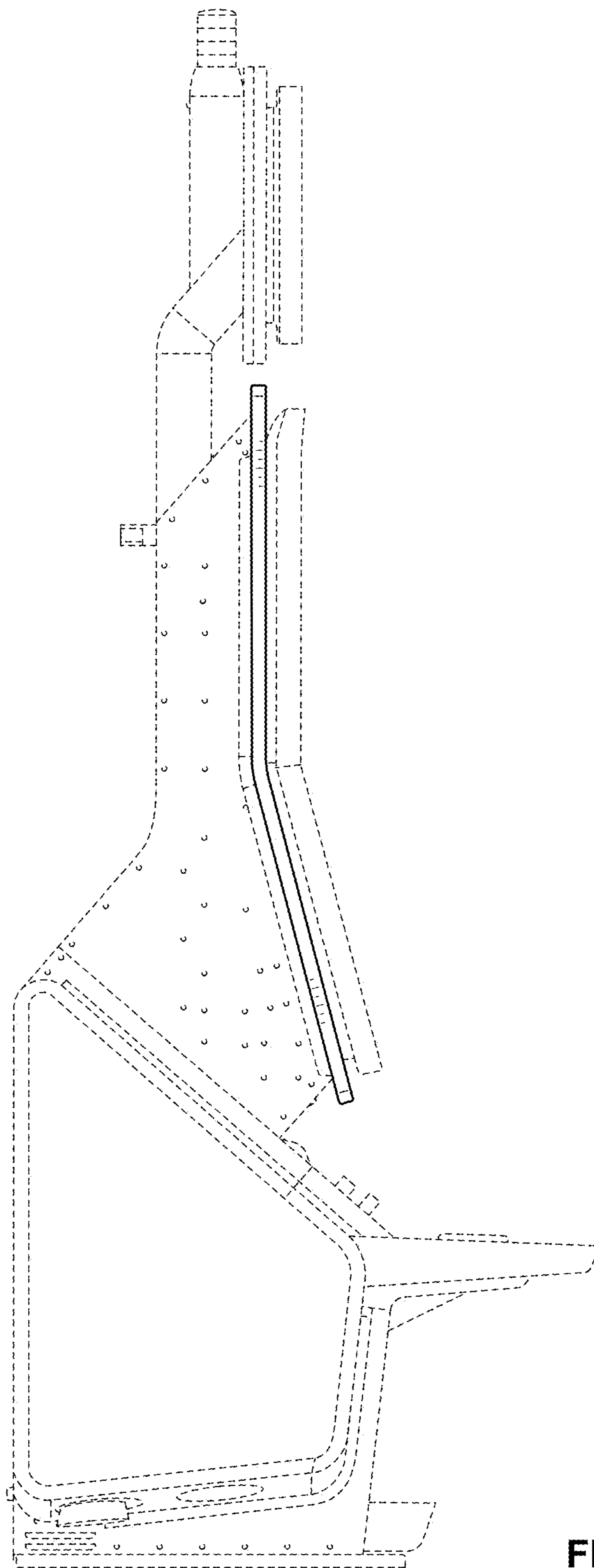


FIG. 5

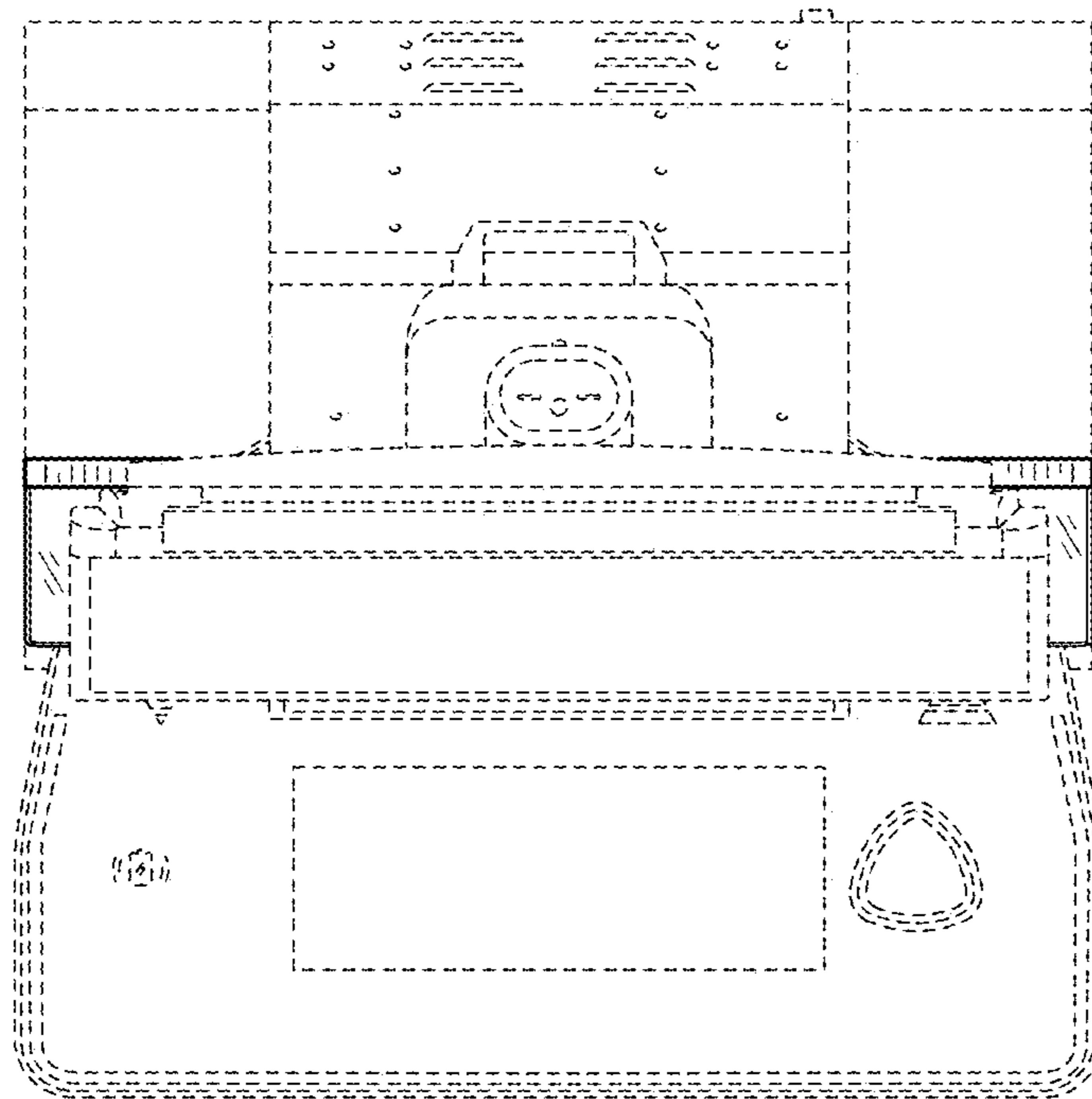


FIG. 6



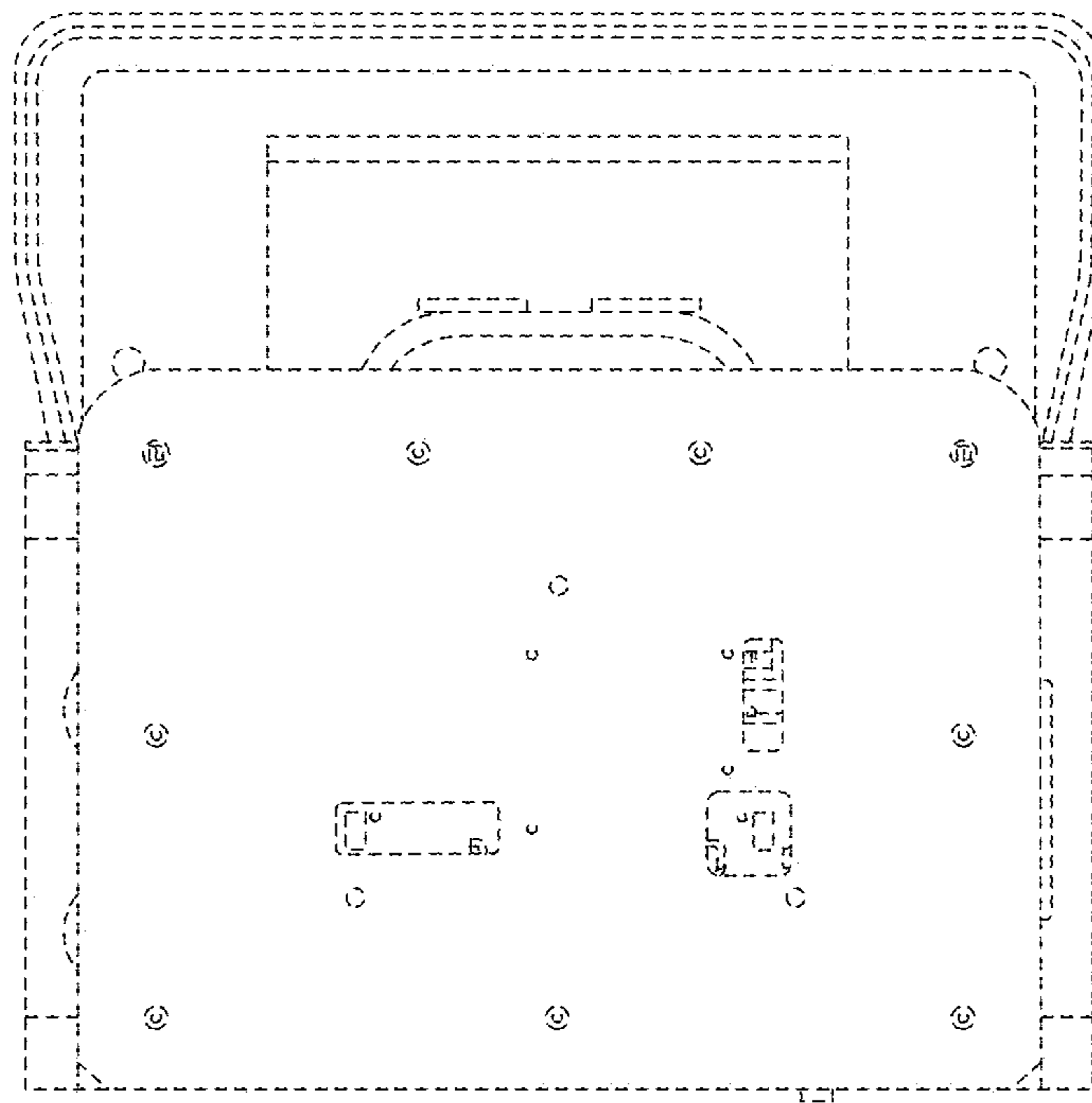


FIG. 7

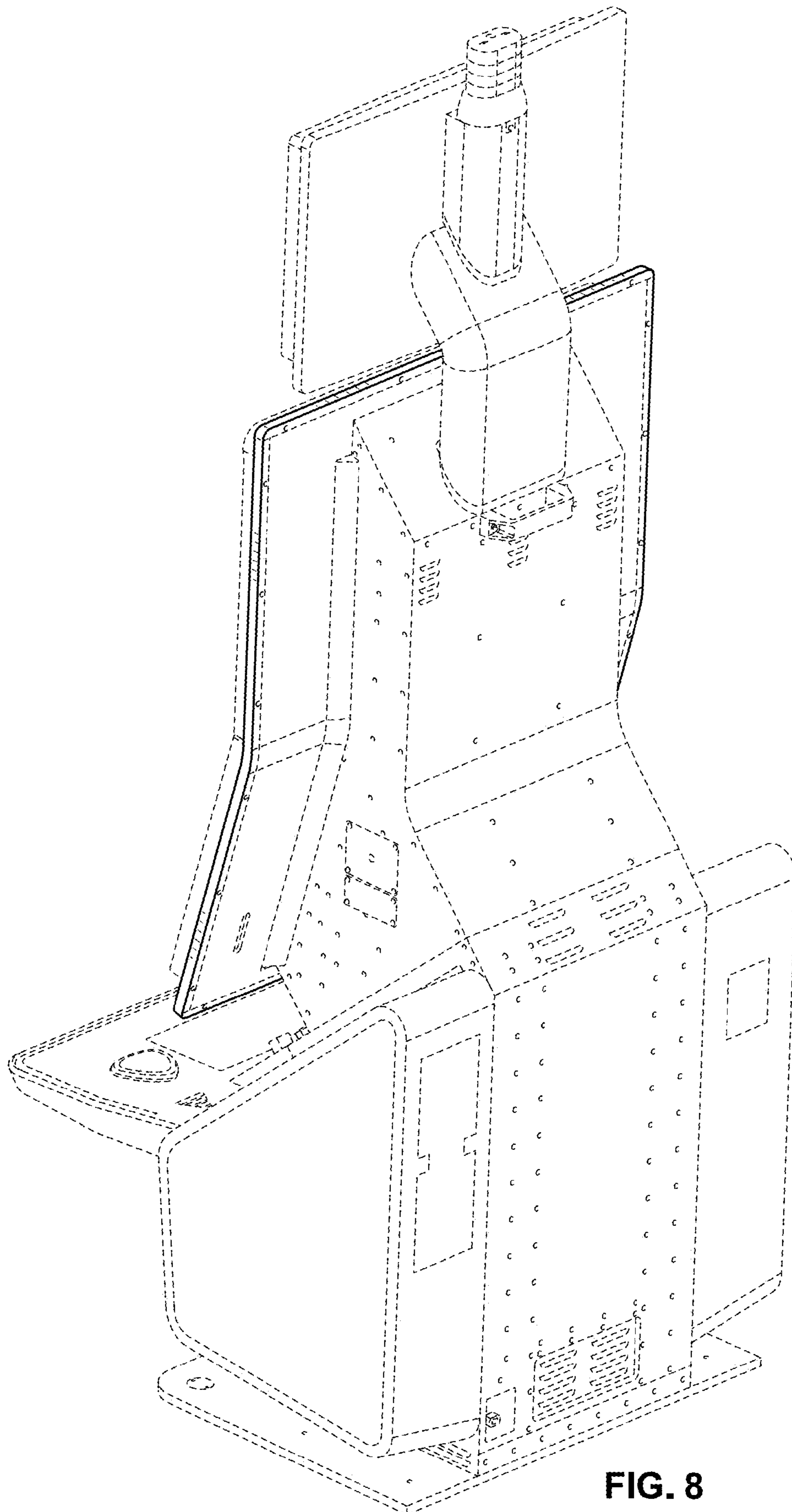


FIG. 8

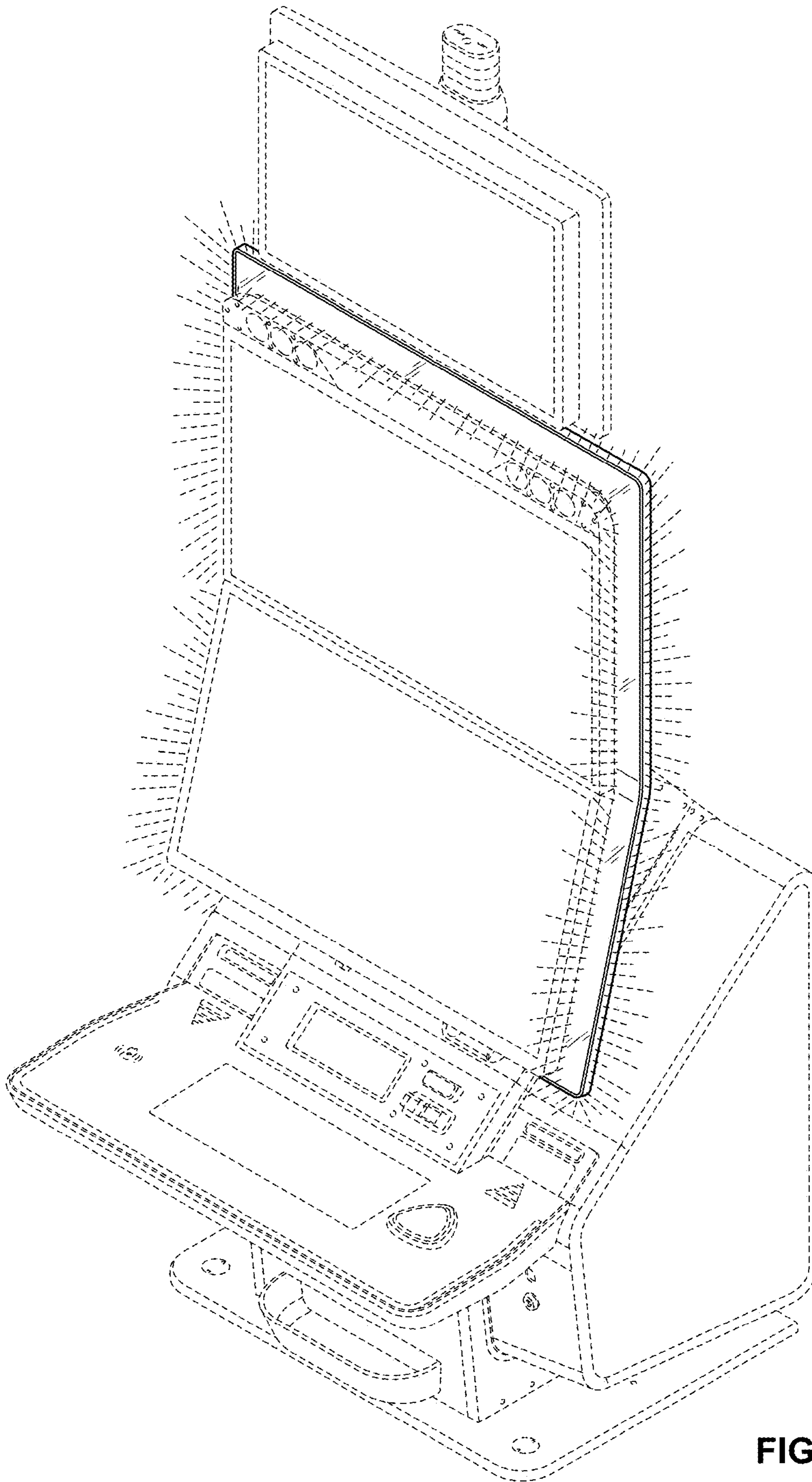


FIG. 9