



US00D946658S

(12) **United States Design Patent**  
**Feng**

(10) **Patent No.:** **US D946,658 S**

(45) **Date of Patent:** **\*\* Mar. 22, 2022**

(54) **GAME CONTROLLER**

(71) Applicant: **Qisheng Feng**, Guangdong (CN)

(72) Inventor: **Qisheng Feng**, Guangdong (CN)

(\*\*) Term: **15 Years**

(21) Appl. No.: **29/714,541**

(22) Filed: **Nov. 25, 2019**

(30) **Foreign Application Priority Data**

Aug. 6, 2019 (CN) ..... 201930425539.5

(51) **LOC (13) Cl.** ..... **21-01**

(52) **U.S. Cl.**  
USPC ..... **D21/1**

(58) **Field of Classification Search**  
USPC ..... D21/324, 332-337, 566, 572-574, 328;  
D14/217, 218, 356, 387, 388, 389, 400,  
D14/401, 415, 418, 426-431, 443, 447,  
D14/449, 450, 454, 455, 471, 474, 483,  
D14/496, 511; D13/164, 168  
CPC ..... A63F 13/00; A63F 13/98; A63F 13/24;  
A63F 9/0291; A63F 9/00; A63F 9/02;  
A63F 9/24; A63F 2300/00; A63F  
2300/1031  
See application file for complete search history.

(56) **References Cited**

**U.S. PATENT DOCUMENTS**

D706,874 S \* 6/2014 Ngoy ..... D21/329  
D712,970 S \* 9/2014 Biheller ..... D21/330  
D737,273 S \* 8/2015 Schoenith ..... D14/401  
D794,717 S \* 8/2017 Kujawski ..... D21/333

D798,954 S \* 10/2017 Chatterjee ..... D21/333  
D810,202 S \* 2/2018 Foster ..... D21/333  
D823,945 S \* 7/2018 Falc ..... D21/333  
D863,448 S \* 10/2019 Ehara ..... D21/333  
D870,207 S \* 12/2019 Ali ..... D21/333  
D875,180 S \* 2/2020 Wang ..... D21/333  
D875,836 S \* 2/2020 Ehara ..... D21/333  
D876,550 S \* 2/2020 Ehara ..... D21/333  
D878,474 S \* 3/2020 Ehara ..... D21/333  
D882,693 S \* 4/2020 Ehara ..... D21/333  
D884,796 S \* 5/2020 Zhou ..... D21/333

\* cited by examiner

*Primary Examiner* — Sandra Snapp  
*Assistant Examiner* — Mehri Bajoul

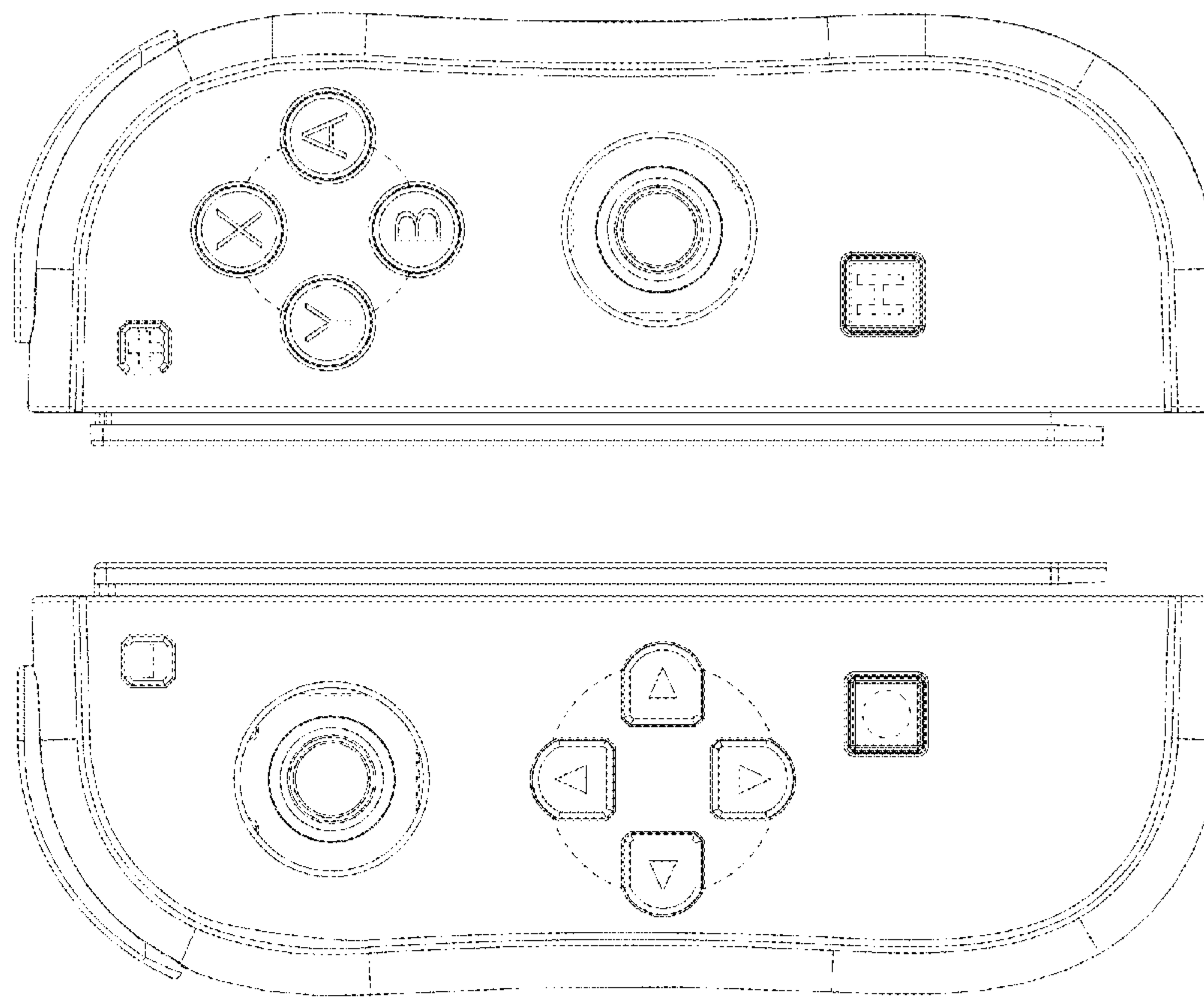
(57) **CLAIM**

The ornamental design for a game controller, as shown and described.

**DESCRIPTION**

FIG. 1 is a front elevational view of a game controller showing my new design;  
FIG. 2 is a rear elevational view thereof;  
FIG. 3 is a left side view thereof;  
FIG. 4 is a right side view thereof;  
FIG. 5 is a top plan view thereof;  
FIG. 6 is a bottom plan view thereof;  
FIG. 7 is a perspective view thereof, with the top portion in a rotated position;  
FIG. 8 is another perspective view thereof; and,  
FIG. 9 is a perspective view thereof, with the bottom portion in a rotated position.  
The broken lines illustrate portions of the game controller that form no part of the claimed design.

**1 Claim, 9 Drawing Sheets**



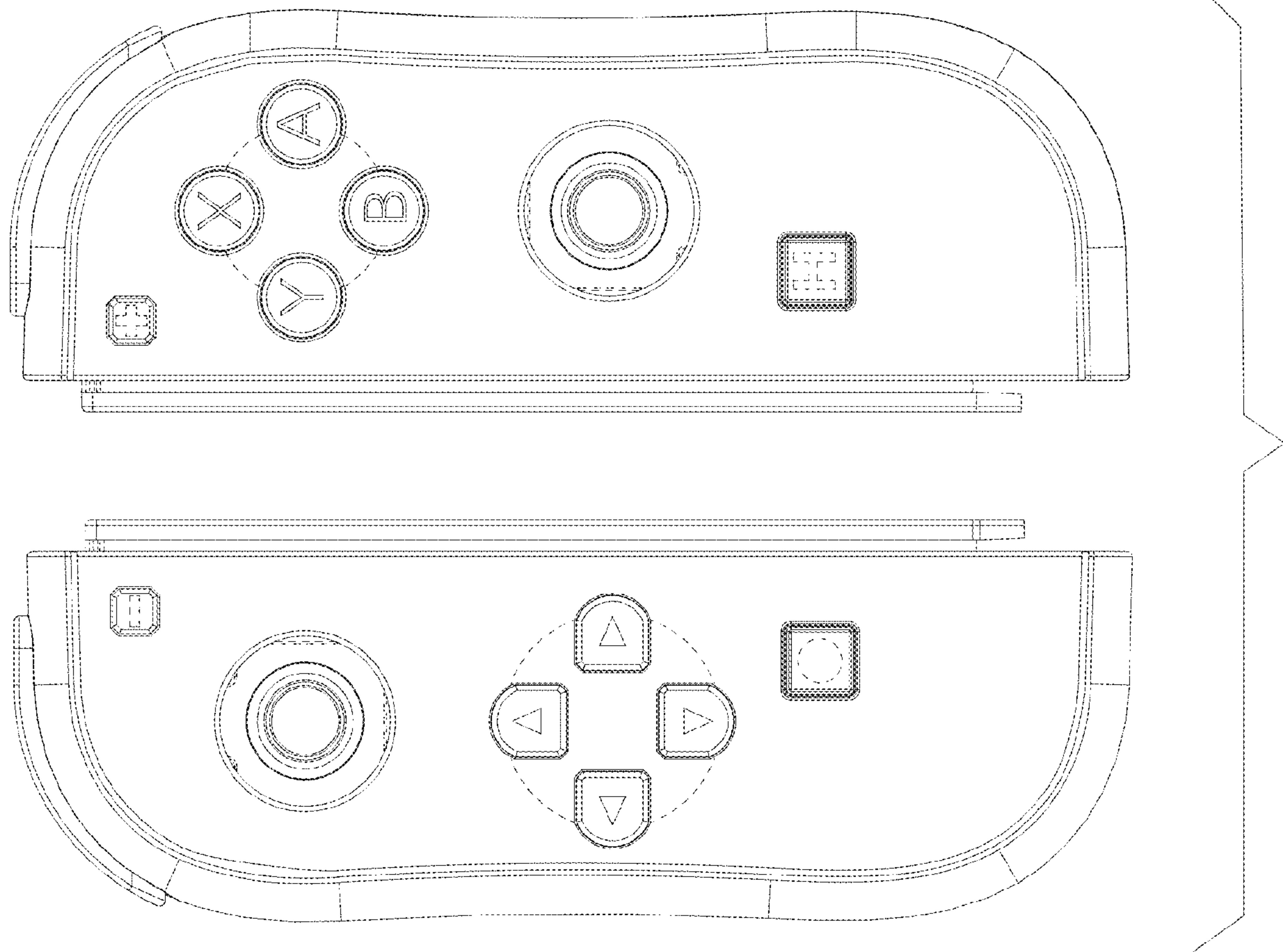


FIG.1

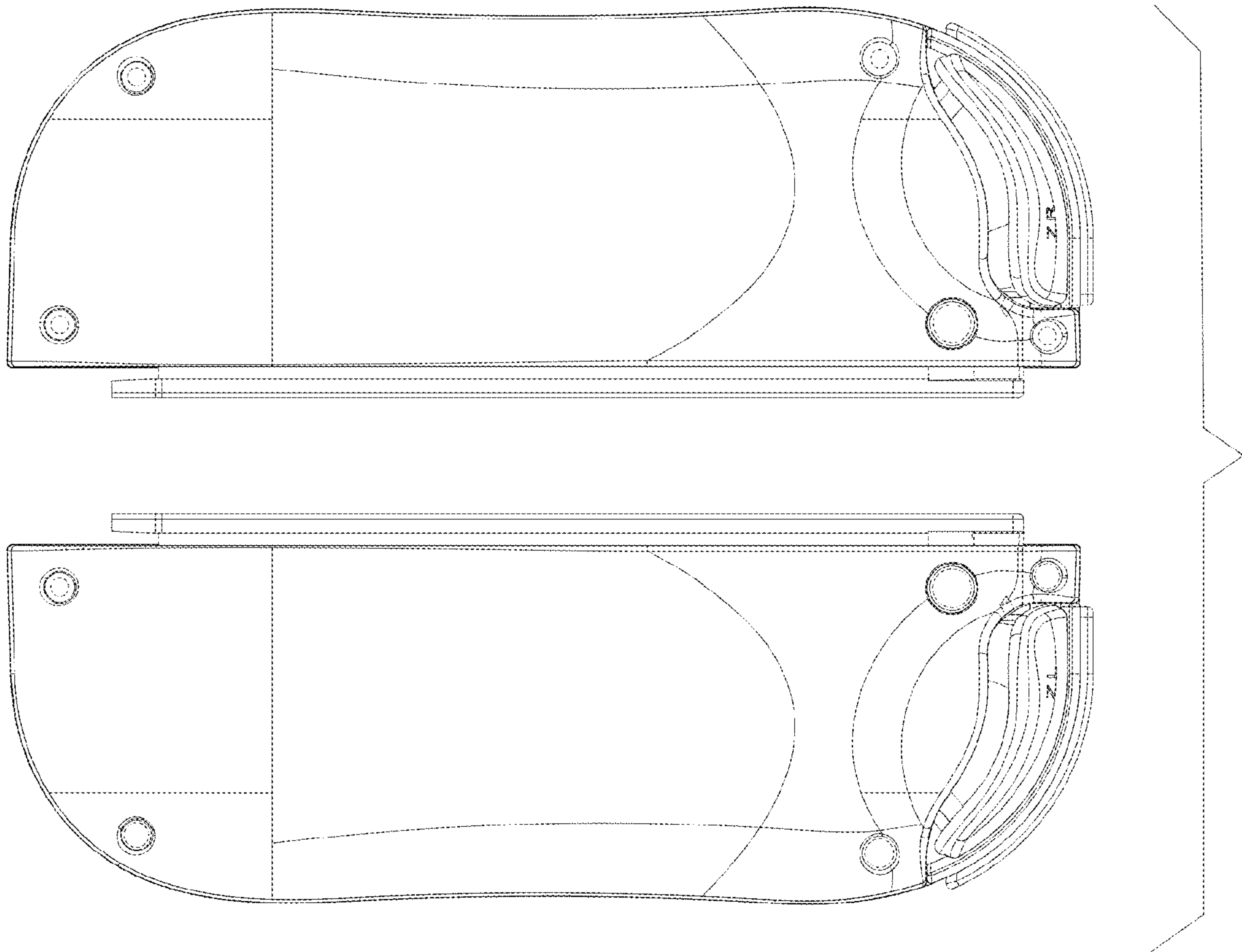


FIG. 2

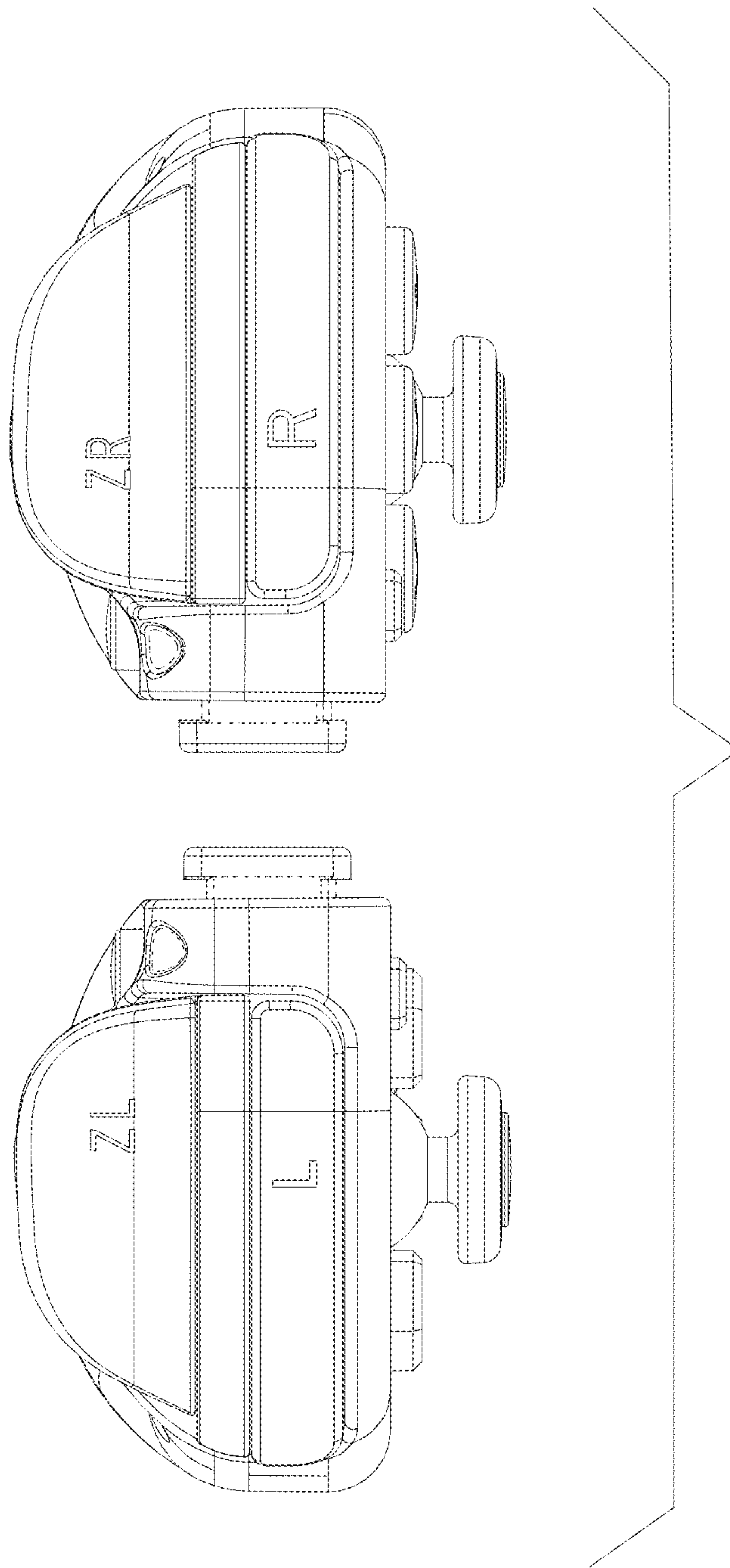


FIG. 3



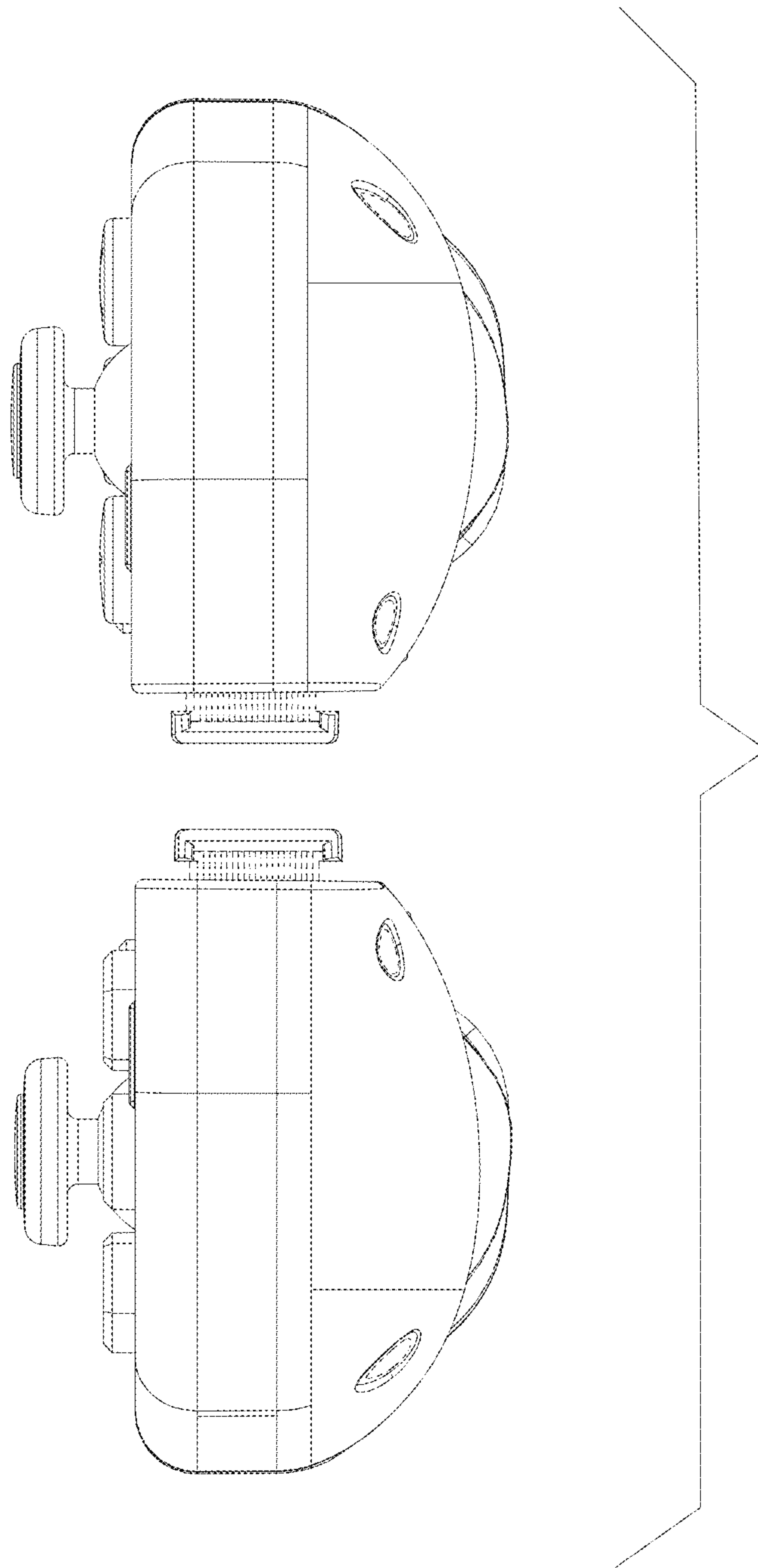


FIG. 4

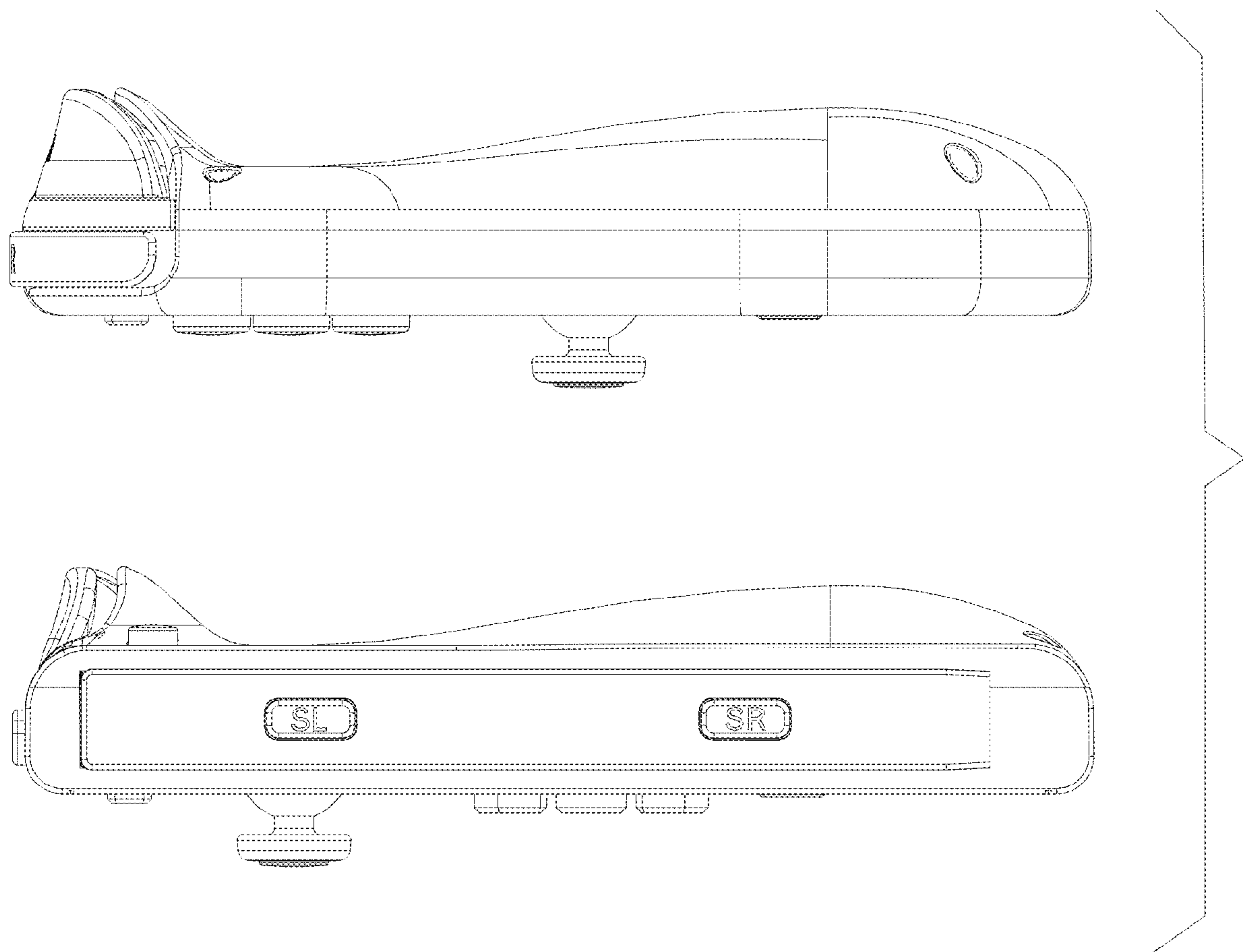


FIG 5

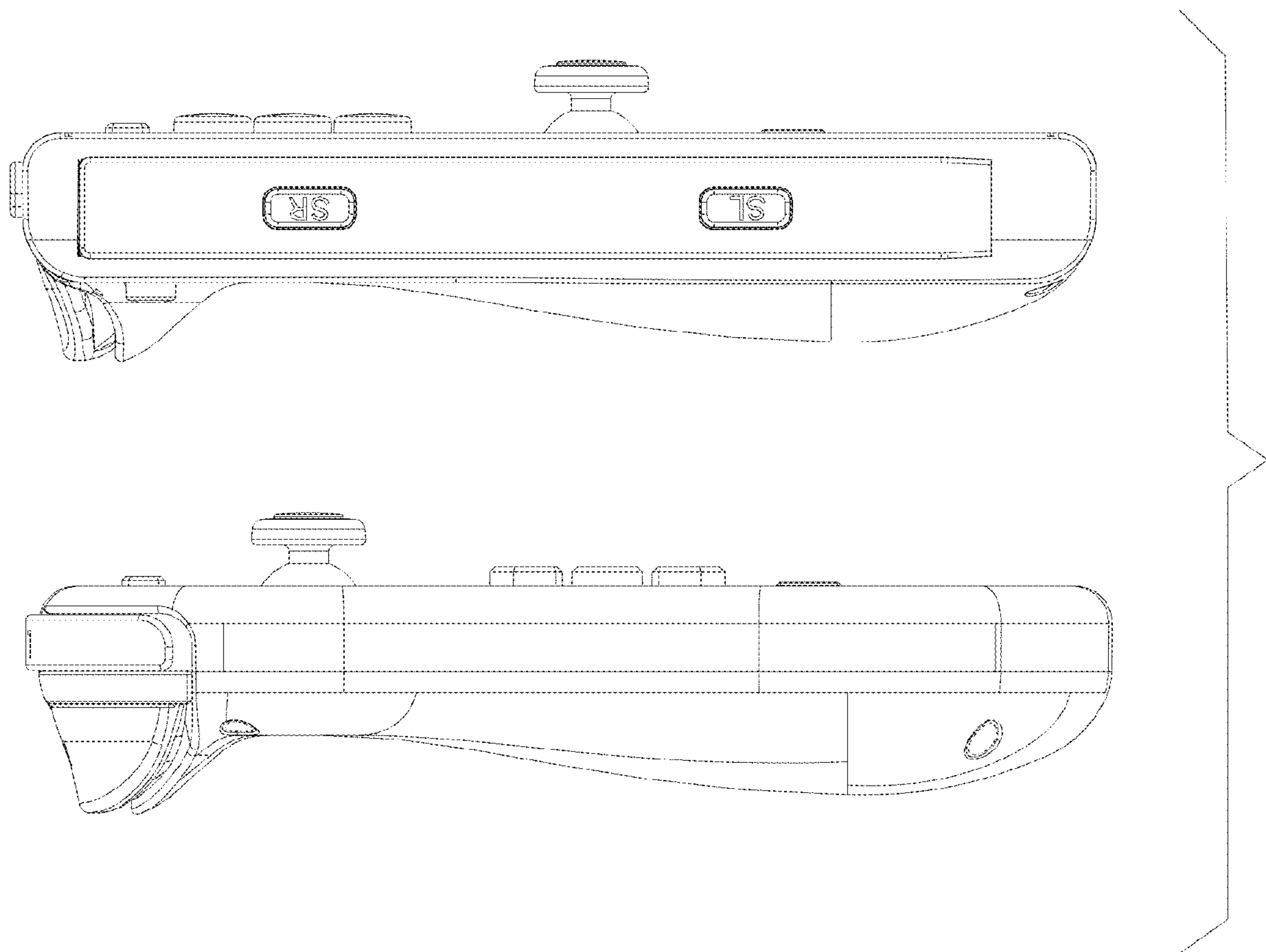


FIG. 6

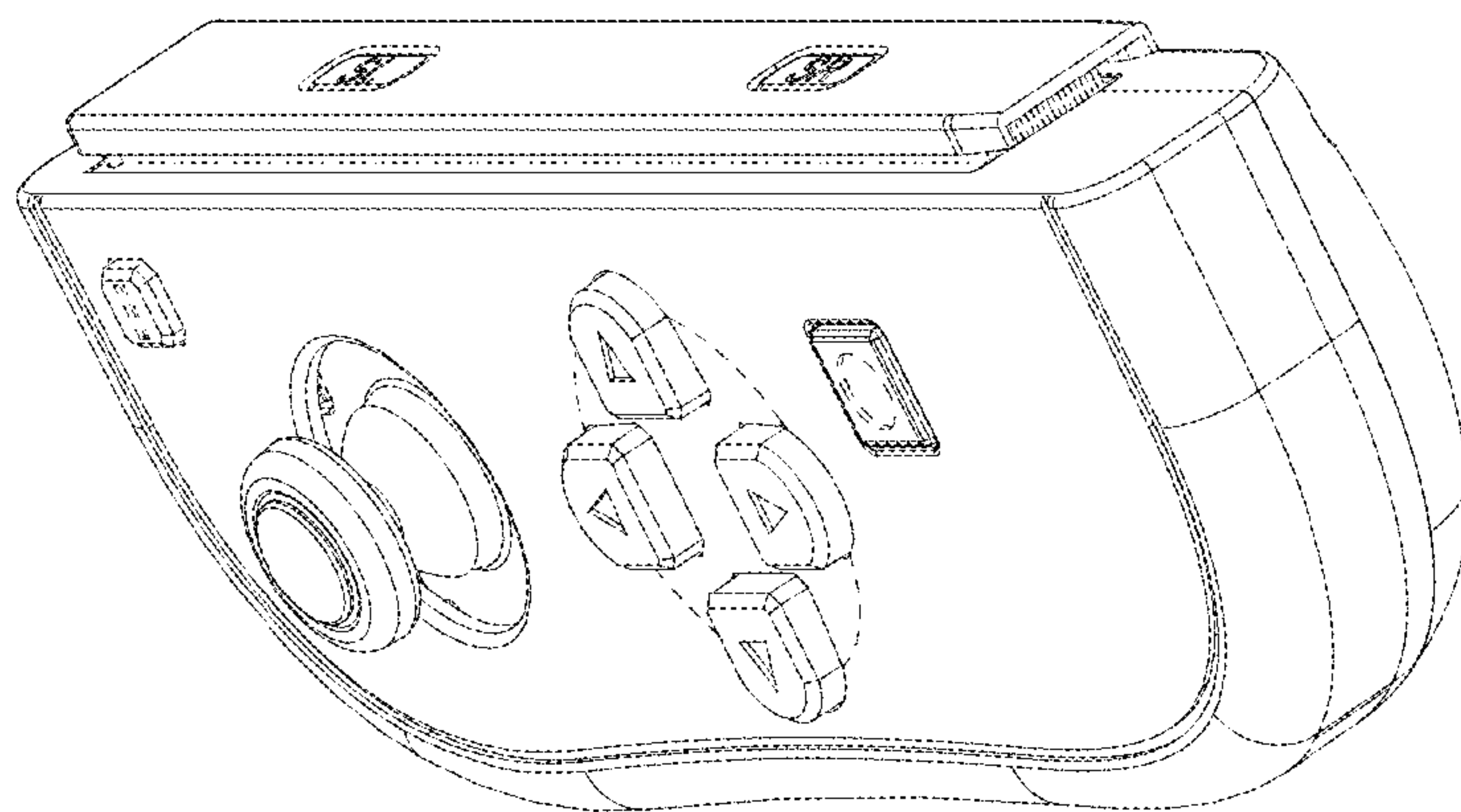
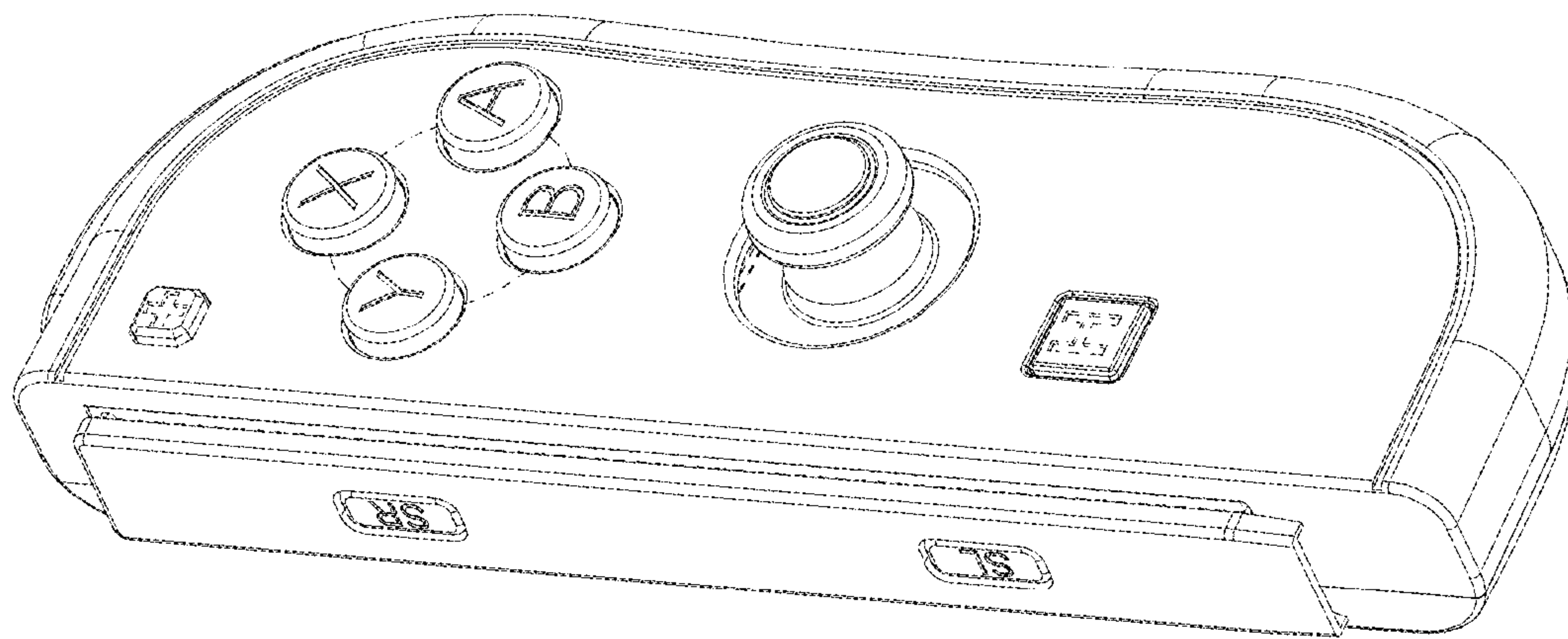


FIG. 7



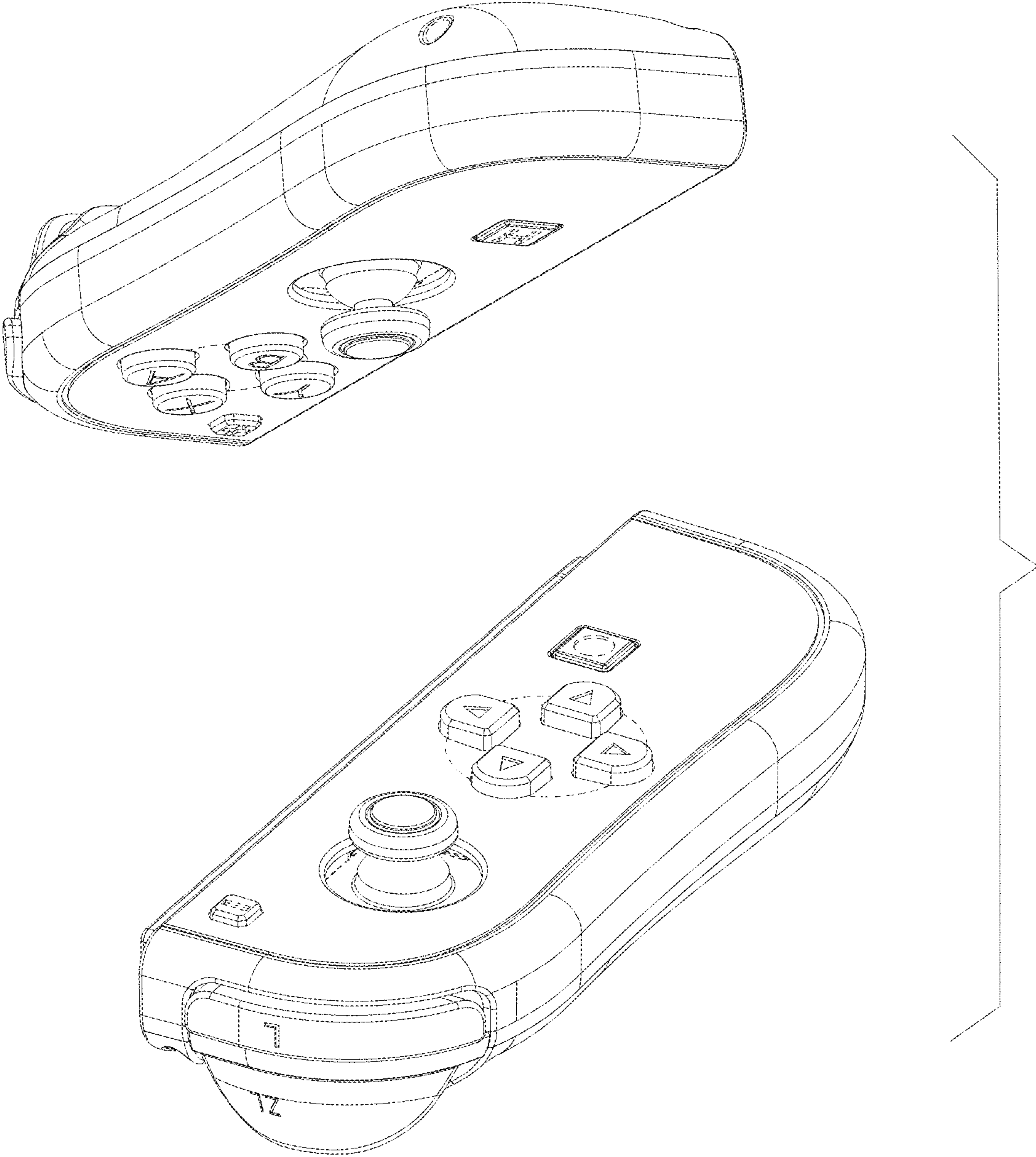


FIG. 8

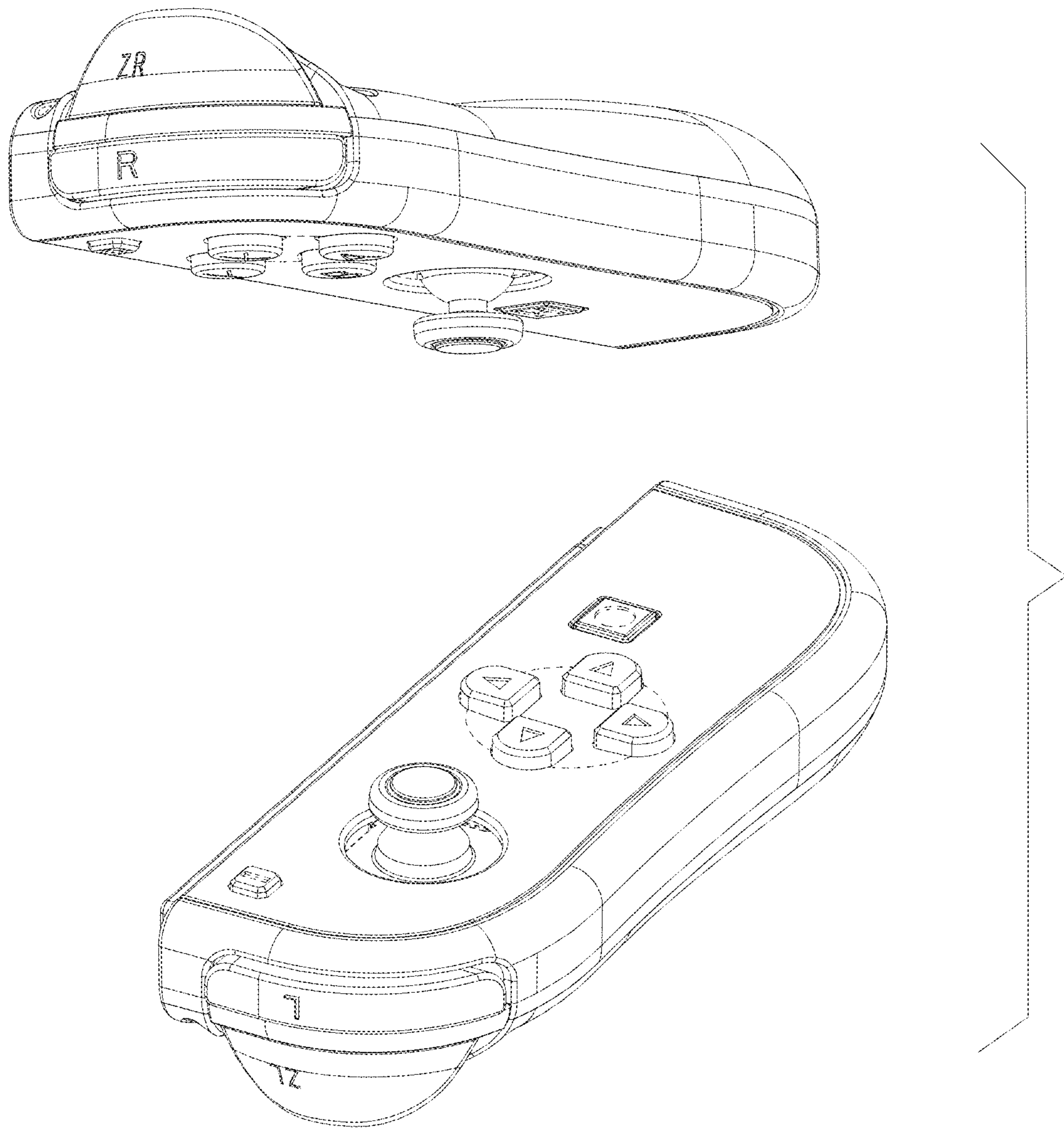


FIG. 9