

US00D946653S

(12) **United States Design Patent**
Sun

(10) **Patent No.:** **US D946,653 S**

(45) **Date of Patent:** **** Mar. 22, 2022**

(54) **BUDGET BINDER**

(71) Applicant: **SHENZHEN WEIYIZHUO TECHNOLOGY CO., LTD.**, Shenzhen (CN)

(72) Inventor: **Weiwei Sun**, Shenzhen (CN)

(73) Assignee: **SHENZHEN WEIYIZHUO TECHNOLOGY CO., LTD.**, Shenzhen (CN)

(**) Term: **15 Years**

(21) Appl. No.: **29/796,159**

(22) Filed: **Jun. 23, 2021**

(51) **LOC (13) Cl.** **19-04**

(52) **U.S. Cl.**
USPC **D19/27**

(58) **Field of Classification Search**
USPC D19/26, 27, 32, 33, 34, 124, 100, 86, 91, D19/2, 3; D3/303, 227, 900, 271.5; D9/433, 634; D14/440
CPC G09F 5/00; G09F 5/02; G09F 5/04; G09F 2005/041; G09F 5/042; B42F 13/22; B42F 13/26; B42F 13/02; B42F 13/04; B42F 13/06; B42F 13/08; B42F 13/10; B42F 13/14; B42F 13/65; B42F 3/003; B42F 3/006; B42F 3/02; B42F 3/04; B42F 13/0033; B42F 13/0066; B42F 13/0006; B42F 13/0013; B42F 13/002; B42F 13/0026

See application file for complete search history.

(56) **References Cited**

U.S. PATENT DOCUMENTS

D285,809 S * 9/1986 Sindler D19/27
D303,809 S * 10/1989 Klein D19/27
D329,745 S * 9/1992 O'Brien D19/27
D330,115 S * 10/1992 O'Brien D19/27
D398,778 S * 9/1998 Wyant D3/303

D403,861 S * 1/1999 Dahl D3/303
D420,385 S * 2/2000 Inbert D19/27
D545,363 S * 6/2007 McCormack D19/27
D737,828 S * 9/2015 Albano D14/440

(Continued)

FOREIGN PATENT DOCUMENTS

CA 2314672 A1 * 1/2001 B42F 13/0006
CA 2799923 A1 * 5/2014 B42F 13/0006

(Continued)

OTHER PUBLICATIONS

Amazon. Link: https://www.amazon.com/dp/B08LKV5STV/ref=twister_B097NCVNRH?_encoding=UTF8&th=1 Oct. 21, 2020. Onlyesh Budget Binder, A6 Binder. (Year: 2020).*

(Continued)

Primary Examiner — Lauren D McVey

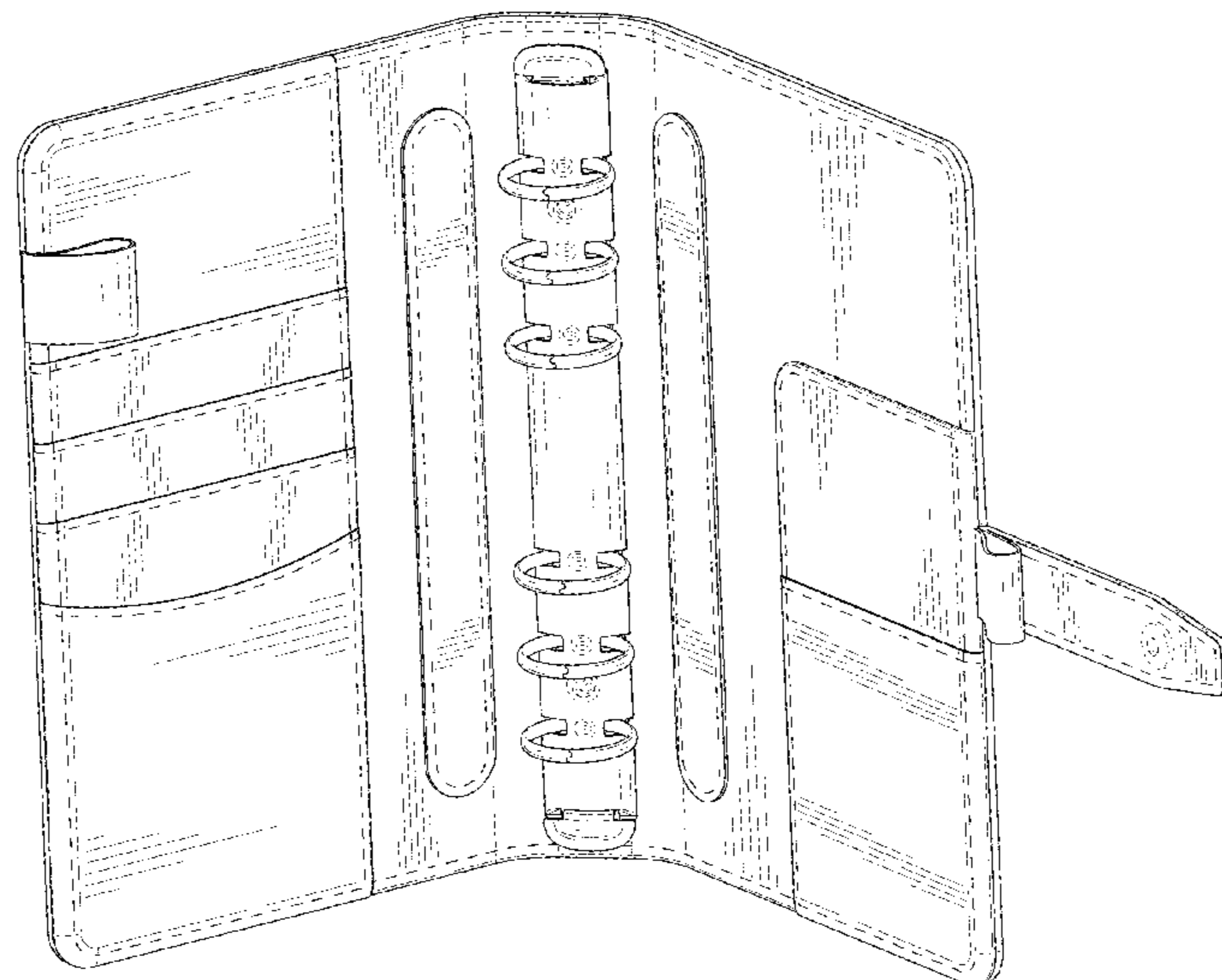
(57) **CLAIM**

The ornamental design for a budget binder, as shown and described.

DESCRIPTION

FIG. 1 is a perspective view of a budget binder showing my new design;
FIG. 2 is another perspective view thereof;
FIG. 3 is a front elevational view thereof;
FIG. 4 is a rear elevational view thereof;
FIG. 5 is a left side elevational view thereof;
FIG. 6 is a right side elevational view thereof;
FIG. 7 is a top plan view thereof; and,
FIG. 8 is a bottom plan view thereof.
The short thin evenly spaced broken lines immediately adjacent to the shaded areas depict the bounds of the claimed design, while all other broken lines are directed to environment. The long thick evenly spaced broken lines depict stitching that form no part of the claimed design.

1 Claim, 8 Drawing Sheets



(56)

References Cited

U.S. PATENT DOCUMENTS

D845,390 S * 4/2019 Wang D19/27
10,889,142 B1 * 1/2021 Wang B42F 13/406
2005/0025563 A1 2/2005 Sato et al.

FOREIGN PATENT DOCUMENTS

CN 303090125 * 1/2015
CN 305645917 * 3/2020
FR 956729-002 * 4/1996

OTHER PUBLICATIONS

Amazon. Link: https://www.amazon.com/Twavang-Notebook-Refillable-Personal-Organizer/dp/B0925JDTS7/ref=sr_1_2?dchild=1&keywords=B0925JDTS7&qid=1633377023&s=office-products&sr=1-2. Apr. 10, 2021. Twavang 15 PCS A6 Binder Pockets with PU Leather Notebook Binder. (Year: 2021).*

* cited by examiner

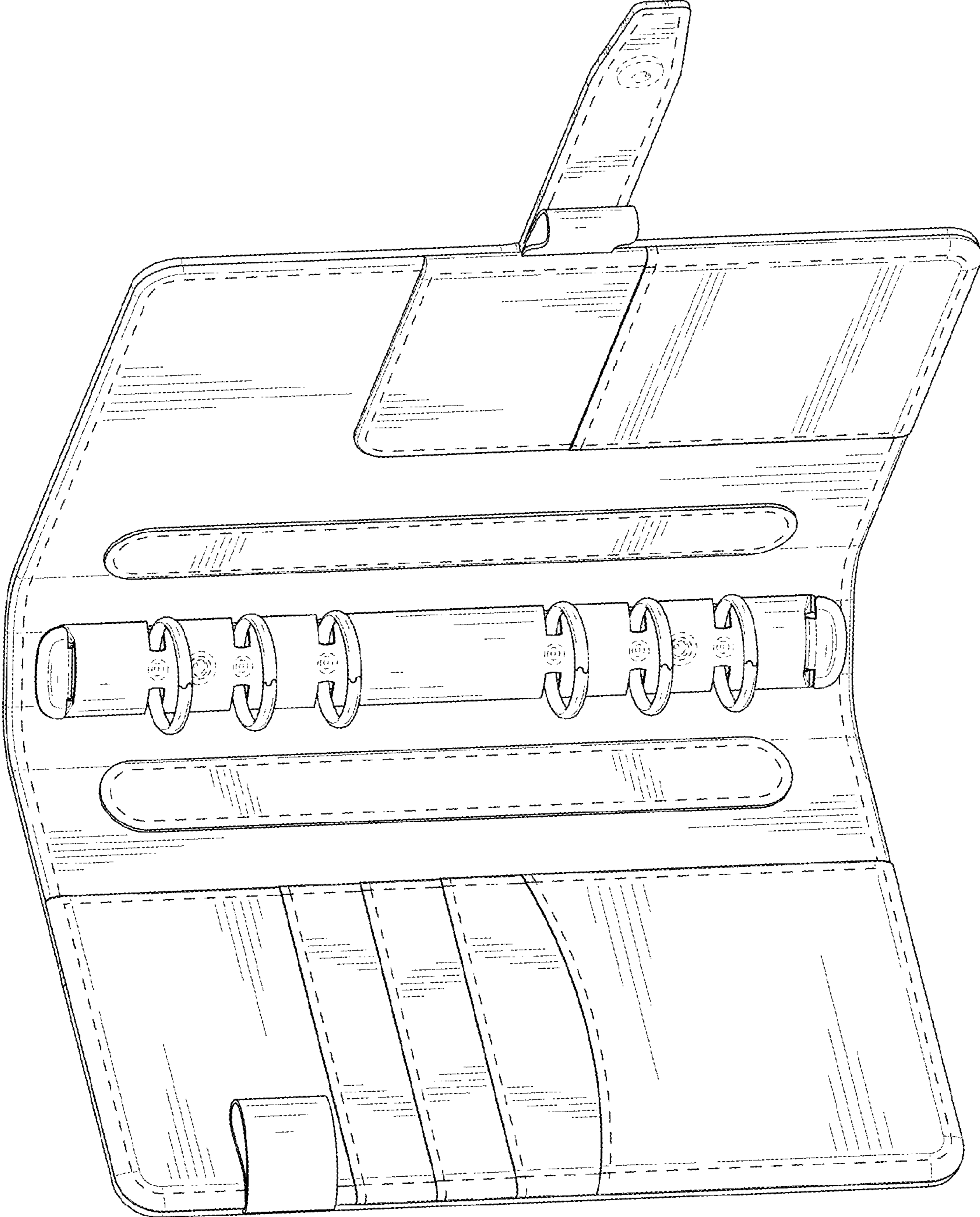


FIG. 1

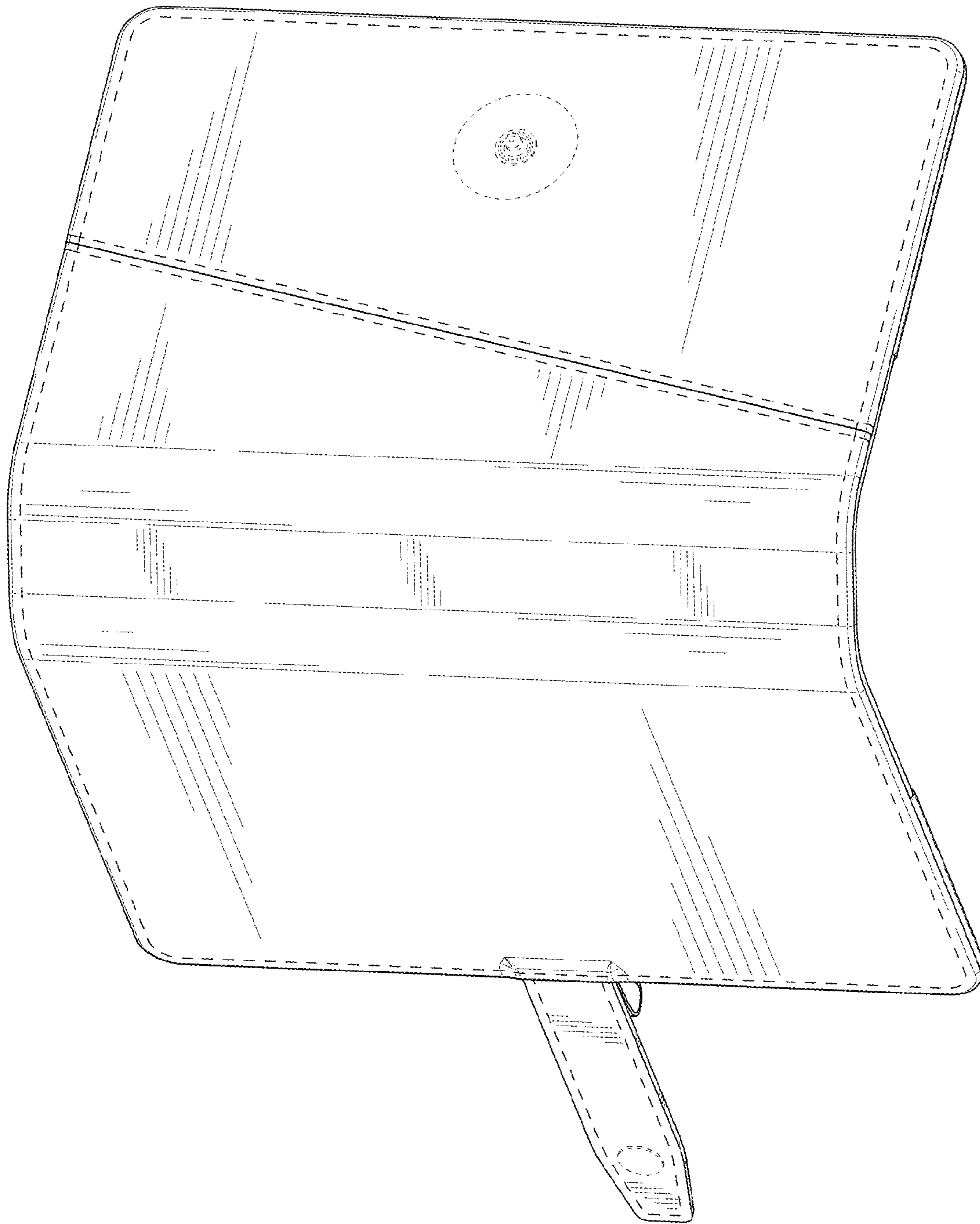


FIG. 2

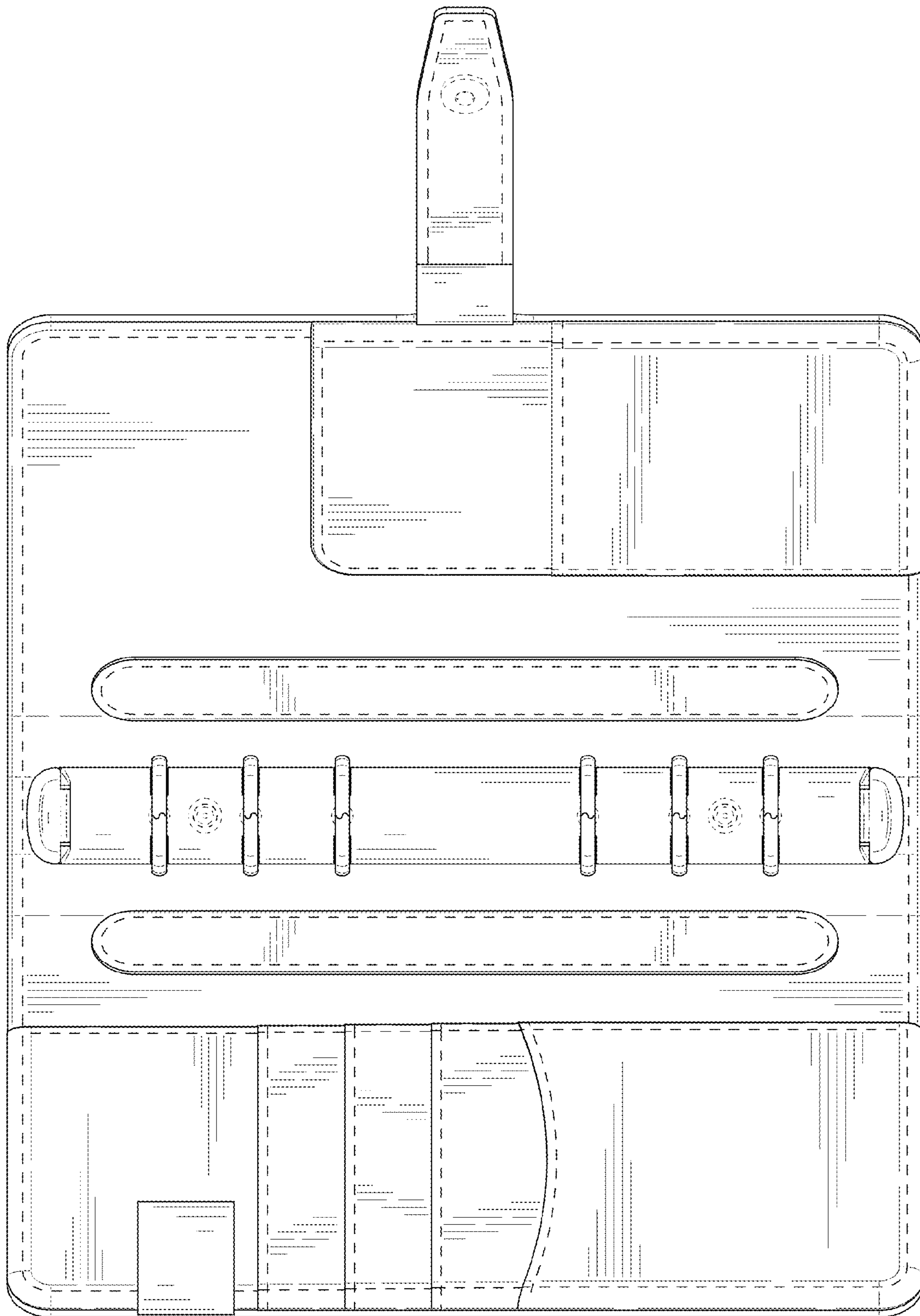


FIG. 3

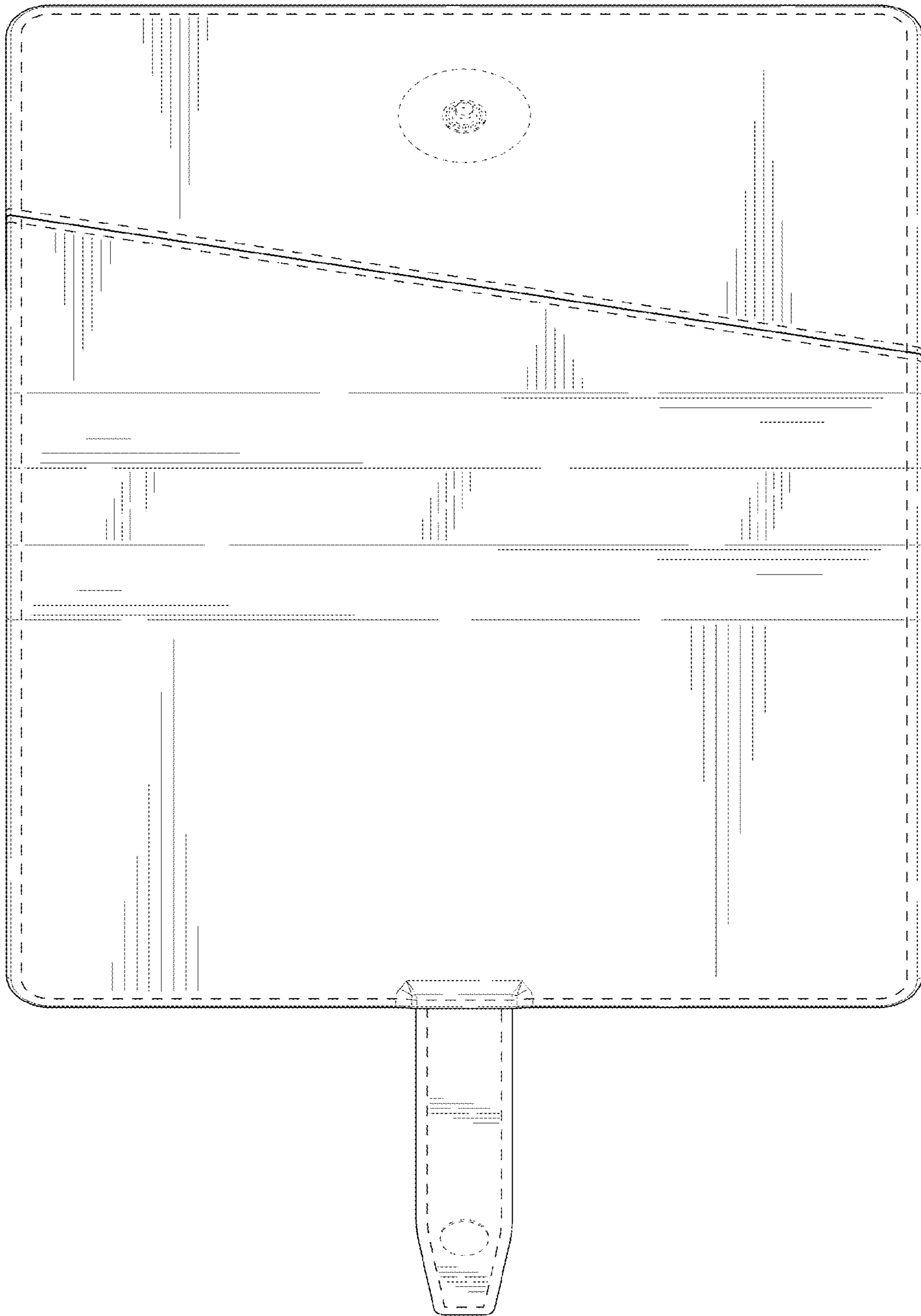


FIG. 4

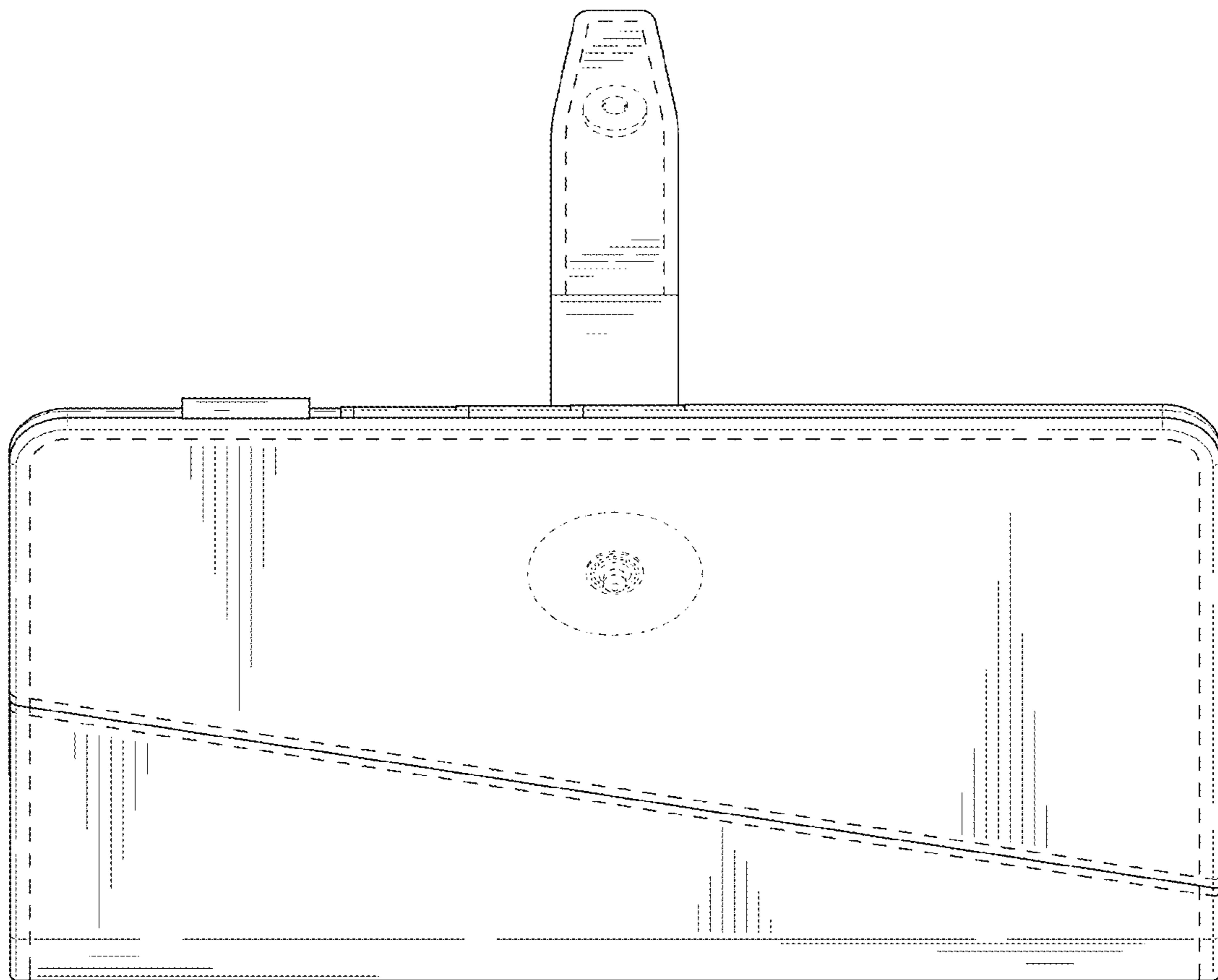


FIG. 5

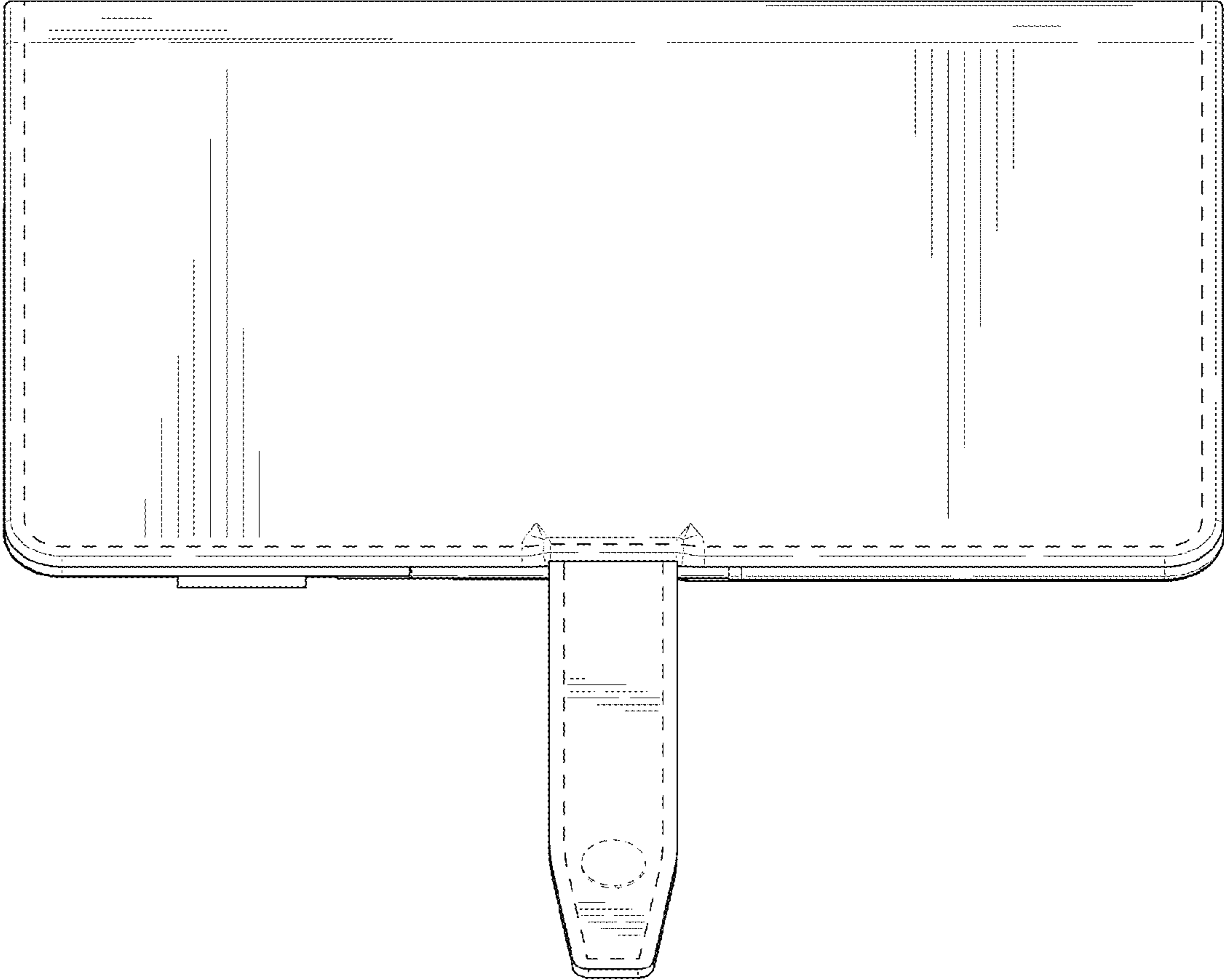


FIG. 6

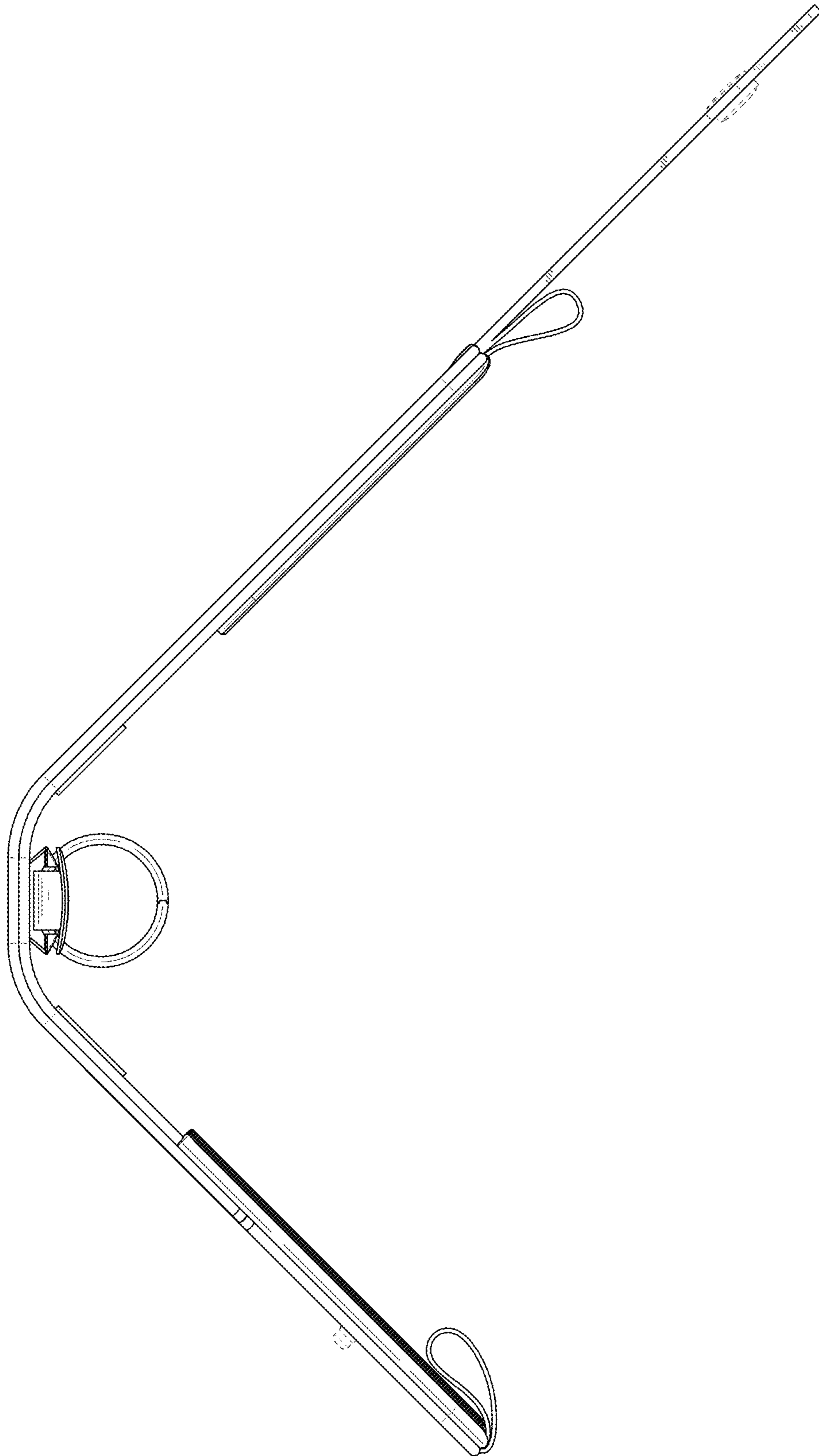


FIG. 7

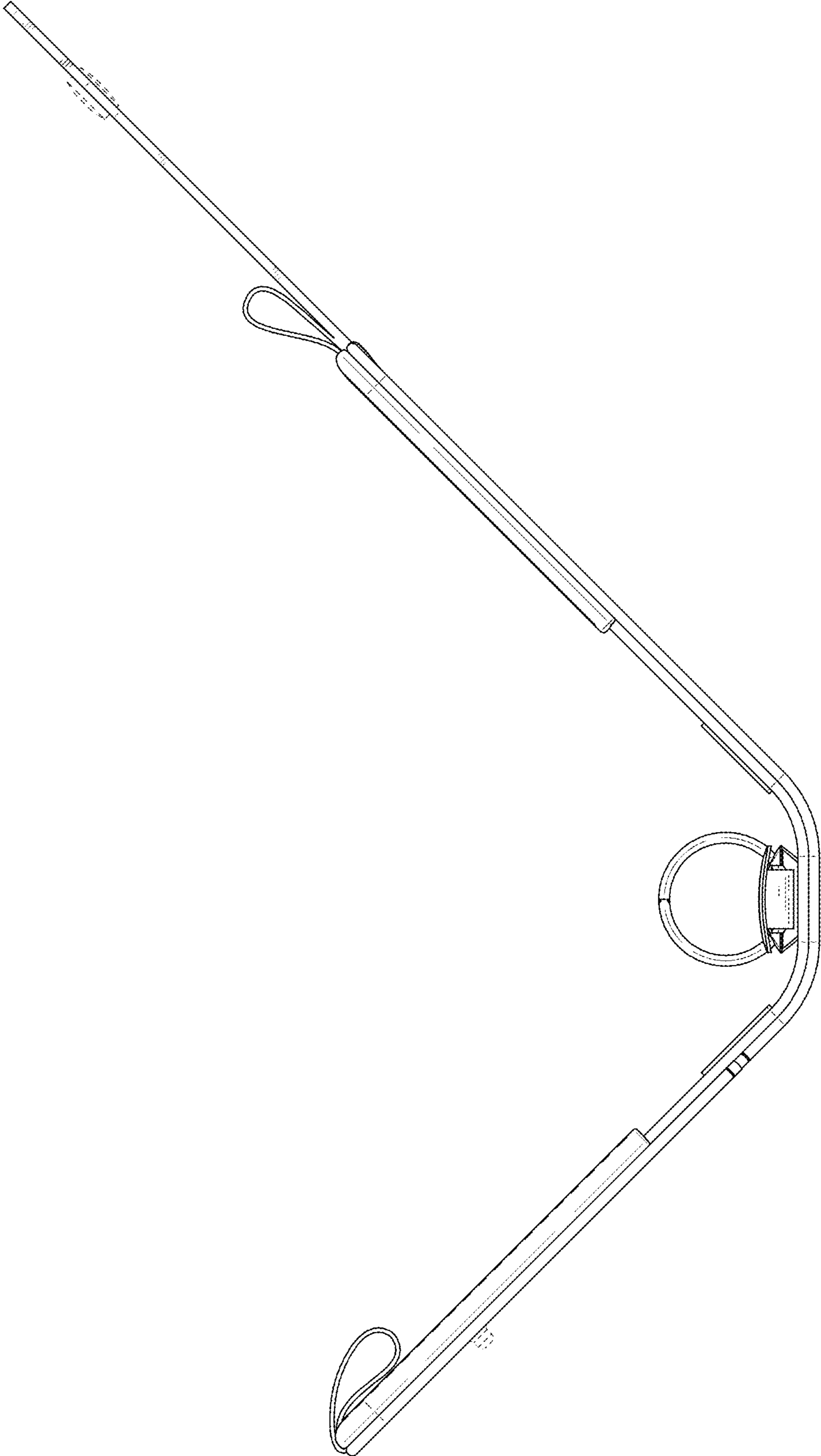


FIG. 8