



US00D946652S

(12) **United States Design Patent**  
**Le et al.**

(10) **Patent No.:** **US D946,652 S**  
(45) **Date of Patent:** **\*\* Mar. 22, 2022**

- (54) **BINDER**
- (71) Applicant: **CCL Label, Inc.**, Framingham, MA (US)
- (72) Inventors: **Sean Le**, Yorba, CA (US); **Cathleen Caruso**, Brea, CA (US); **Alan Jameson**, West Covina, OH (US); **Eric Nelson**, Cypress, CA (US)
- (73) Assignee: **CCL Label, Inc.**, Framingham, MA (US)

5,876,143 A \* 3/1999 Ong ..... B42F 13/0053  
281/29  
5,984,560 A \* 11/1999 Bedol ..... B42F 13/406  
281/30  
6,213,516 B1 \* 4/2001 Ong ..... B42F 13/0006  
281/29  
6,361,236 B1 \* 3/2002 Podosek ..... B42F 13/0013  
281/15.1  
6,902,340 B2 \* 6/2005 Harris, Jr. .... B42F 13/006  
281/15.1  
D564,021 S \* 3/2008 Liu ..... D19/32  
D566,172 S \* 4/2008 Gonzalez ..... D19/26  
D667,496 S \* 9/2012 Menchine ..... D19/32  
D681,730 S \* 5/2013 Bindra ..... D19/27  
(Continued)

(\*\*) Term: **14 Years**

(21) Appl. No.: **29/511,510**

(22) Filed: **Dec. 11, 2014**

(51) **LOC (13) Cl.** ..... **19-04**

(52) **U.S. Cl.**  
USPC ..... **D19/26**

(58) **Field of Classification Search**  
USPC ..... D19/6, 26–28, 31–34; 283/36, 38  
CPC . B42D 3/00; B42D 3/12; B42D 13/00; B42D  
15/02; B42F 15/04; B42F 7/00; B42F  
7/02; B42F 7/025; B42F 7/06; B42F  
3/002; B42F 13/16; B42F 13/40; B42F  
13/406

See application file for complete search history.

(56) **References Cited**

**U.S. PATENT DOCUMENTS**

424,241 A \* 3/1890 Wolf ..... B42F 13/002  
24/265 A  
1,972,048 A \* 8/1934 Rennie ..... B42F 13/002  
281/37  
4,435,464 A \* 3/1984 Hulber ..... B42C 7/00  
428/130  
4,451,067 A \* 5/1984 Williams ..... B42F 13/16  
281/15.1  
D303,548 S \* 9/1989 Rexroat ..... D19/26

**OTHER PUBLICATIONS**

“Binder Covers and Spines Tutorial” The learning effect blog. Oct. 14, 2012. Accessed on Jul. 28, 2020. (Year: 2012).\*

(Continued)

*Primary Examiner* — Michelle E. Wilson  
*Assistant Examiner* — Clare Ann Gannon  
(74) *Attorney, Agent, or Firm* — McDonald Hopkins LLC

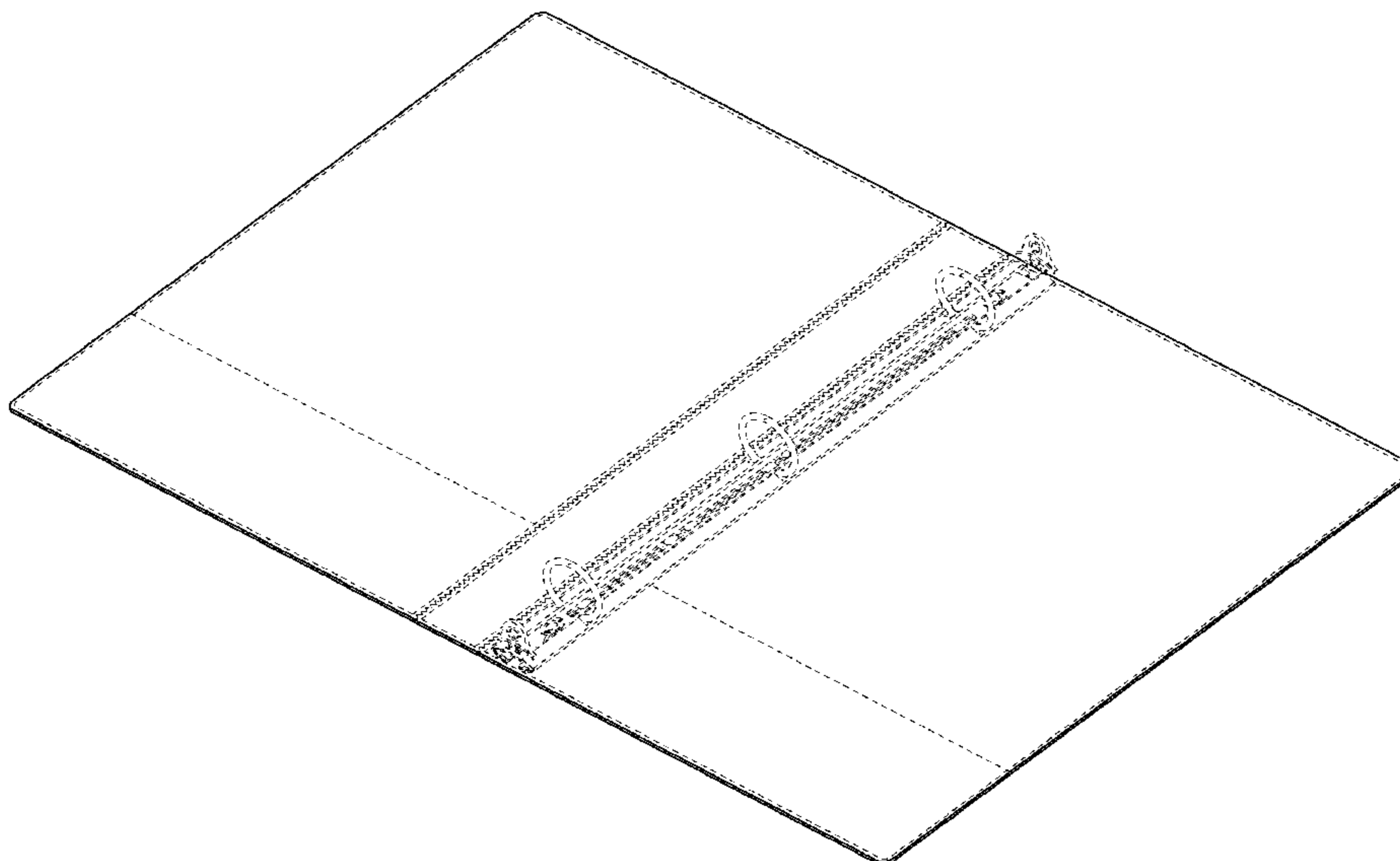
(57) **CLAIM**

The ornamental design for a binder, as shown and described.

**DESCRIPTION**

FIG. 1 is a perspective view of a binder showing my new design;  
FIG. 2 is a top view thereof;  
FIG. 3 is a bottom view thereof;  
FIG. 4 is a first side view thereof;  
FIG. 5 is a second side view thereof;  
FIG. 6 is a first end view thereof; and,  
FIG. 7 is a second end view thereof.  
The broken lines in the figures are included for the purpose of illustrating portions of a binder and form no part of the claimed design.

**1 Claim, 5 Drawing Sheets**



(56)

**References Cited**

U.S. PATENT DOCUMENTS

D719,215 S *	12/2014	Kim .....	D19/32
D730,983 S *	6/2015	Loree .....	D19/27
D757,174 S *	5/2016	Rowe .....	D19/27
D772,569 S *	11/2016	Tappeiner .....	D3/247
D811,476 S *	2/2018	Lusk .....	D19/26
D845,389 S *	4/2019	Chui .....	D19/27
2008/0226385 A1 *	9/2008	Ruble .....	B42F 13/0073 402/75
2012/0080876 A1 *	4/2012	Bowers .....	B42F 13/006 281/36
2013/0061447 A1 *	3/2013	Pigg, Jr. ....	B42F 13/002 29/428
2014/0126950 A1 *	5/2014	Loree .....	B42F 7/02 402/70

OTHER PUBLICATIONS

“Technology Tutorial: Making Binder Covers & Spines.” The learning Effect blog screen captured by the Internet Archive on Oct. 18, 2012. Accessed on Jul. 28, 2020. (Year: 2012).\*

“One-touch EZD Heavy-Duty Binder” by Avery. Sold on OfficeDepot.com Aug. 27, 2020 (Year: 2020).\*

“One-touch EZD Heavy-Duty Binder” by Avery. 2013. Sold on OfficeDepot.com Feb. 13, 2021 (Year: 2013).\*

\* cited by examiner

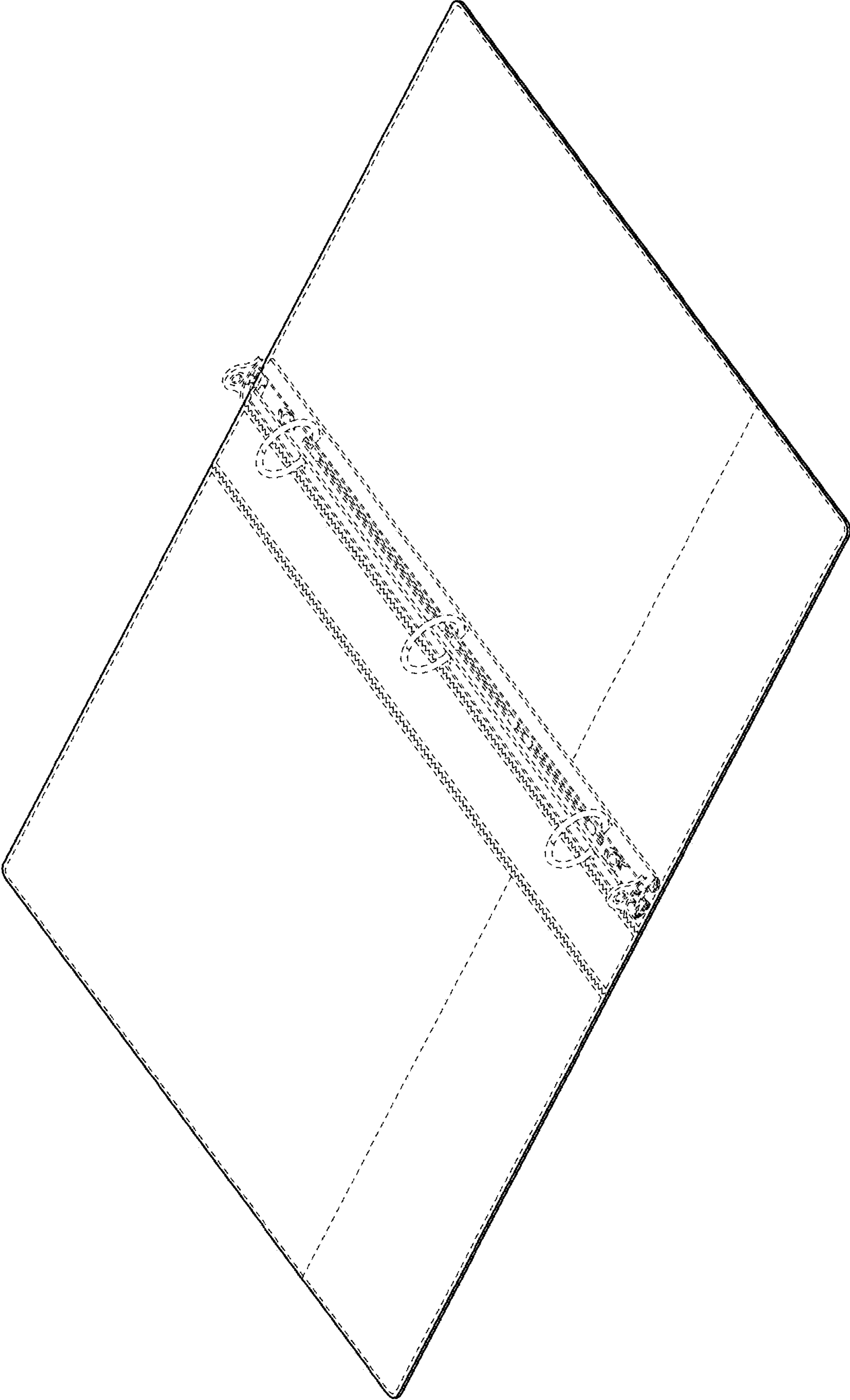


FIG. 1

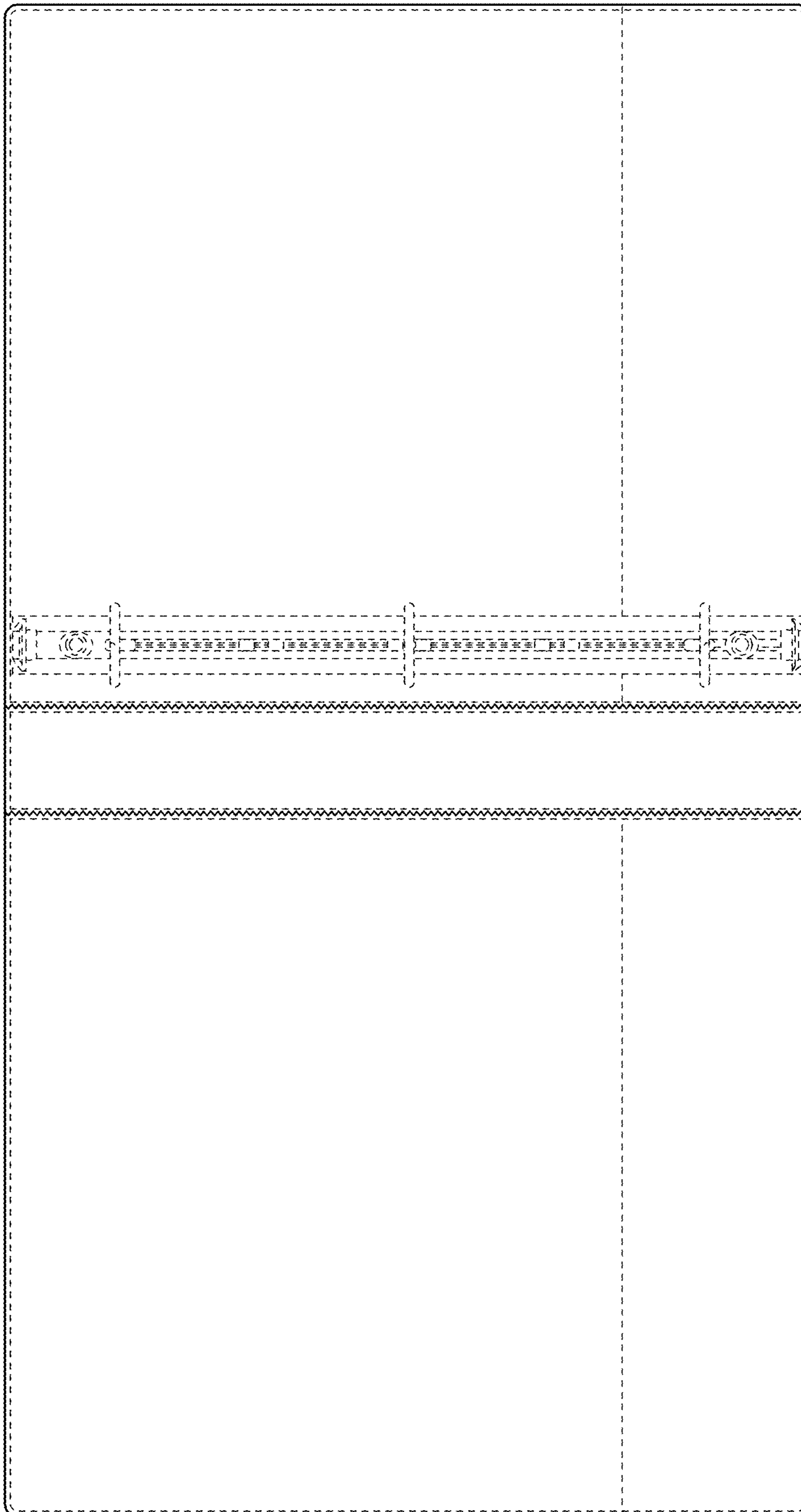


FIG. 2

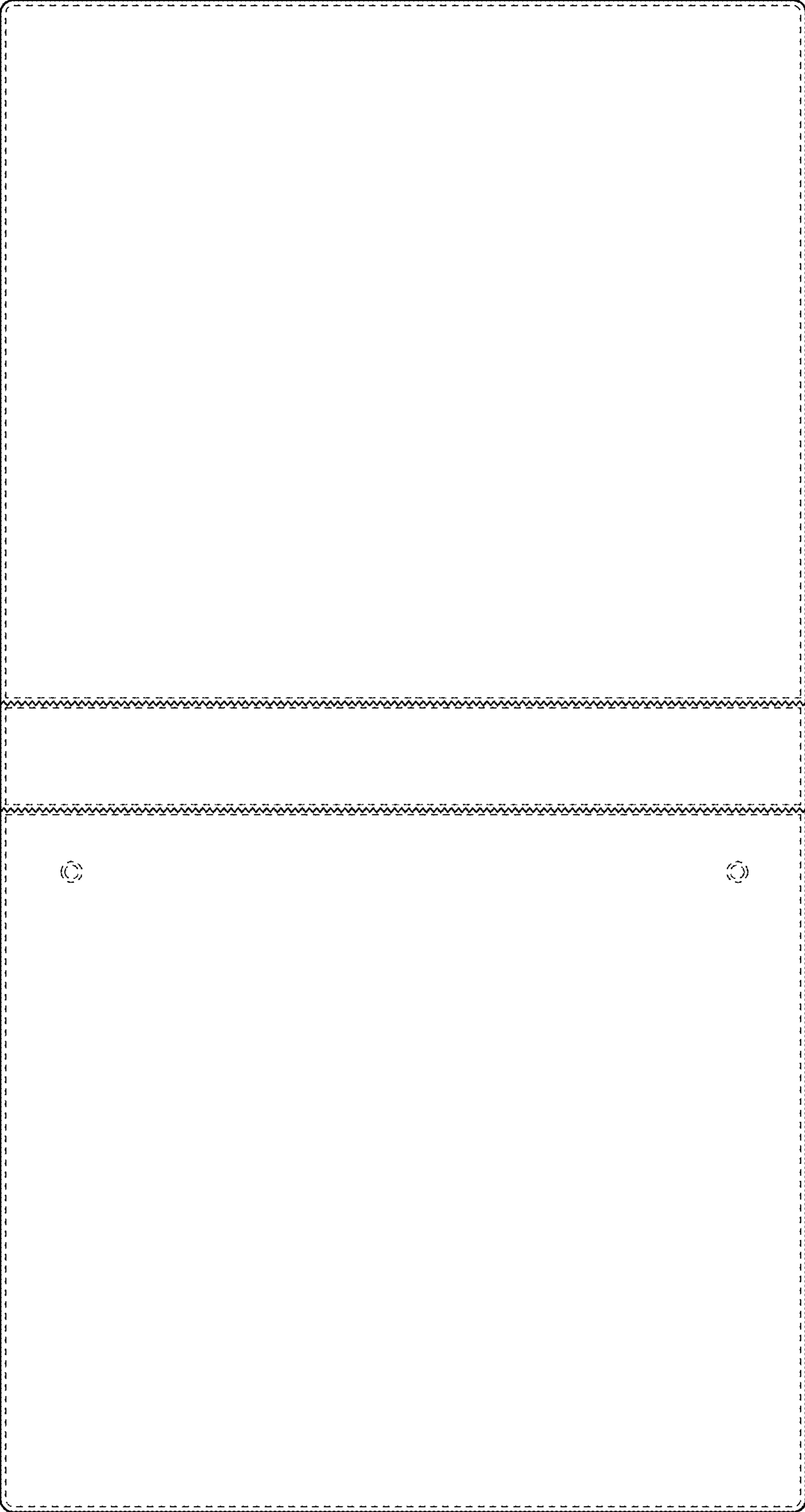


FIG. 3

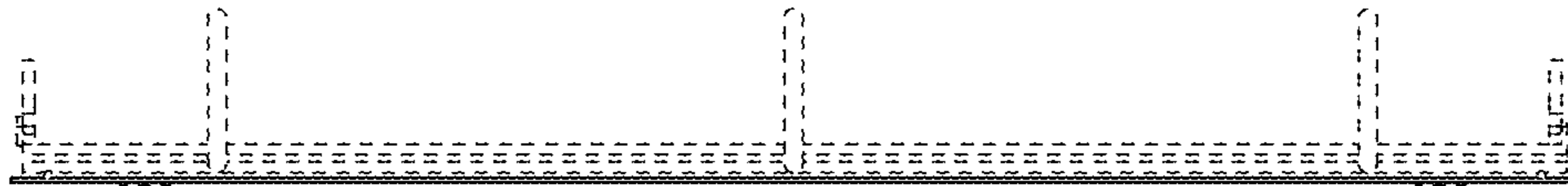


FIG. 4



FIG. 5



**FIG. 6**



**FIG. 7**