



US00D946651S

(12) **United States Design Patent** (10) **Patent No.:** **US D946,651 S**
Faro (45) **Date of Patent:** **** Mar. 22, 2022**

(54) **PRINTER**

FOREIGN PATENT DOCUMENTS

(71) Applicant: **Kevin Faro**, Las Vegas, NV (US)

CN 306950127 * 11/2021
GB 6133078 * 5/2020

(72) Inventor: **Kevin Faro**, Las Vegas, NV (US)

OTHER PUBLICATIONS

(73) Assignee: **NELU LLC**, Las Vegas, NV (US)

Rollo Printer—p. 1—Nov. 24, 2021—Rollo.com—29711965 (Year: 2021).*

(**) Term: **15 Years**

Rollo Printer—p. 1—Nov. 24, 2021—YouTube—29711965 <https://www.youtube.com/watch?v=TzkvLpVsJ4U> (Year: 2021).*

(21) Appl. No.: **29/711,965**

* cited by examiner

(22) Filed: **Nov. 4, 2019**

(51) **LOC (13) Cl.** **14-02**

Primary Examiner — Jennifer L Rempfer

(52) **U.S. Cl.**

Assistant Examiner — Danielle Nichole Bowly

USPC **D18/53**

(74) *Attorney, Agent, or Firm* — Steven A. Nielsen;

www.NielsenPatents.com

(58) **Field of Classification Search**

(57) **CLAIM**

USPC D14/300, 302, 307, 308, 314, 321, 365,
D14/349; D6/514, 672, 681.2, 691.9;
D18/4.1, 4.4, 4.6, 37, 38, 39, 50, 53, 54,
D18/55, 59

The ornamental design for a printer, as shown and described.

CPC ... H04N 2201/0094; H04N 2201/0081; H04N
1/00278

DESCRIPTION

See application file for complete search history.

FIG. 1 is a top and front side perspective view of a printer showing a new design;

FIG. 2 is a top and back perspective view thereof;

FIG. 3 is a front view thereof;

FIG. 4 is a back view thereof;

FIG. 5 is a left side view thereof;

FIG. 6 is a right side thereof;

FIG. 7 is a top view thereof; and,

FIG. 8 is a bottom view thereof.

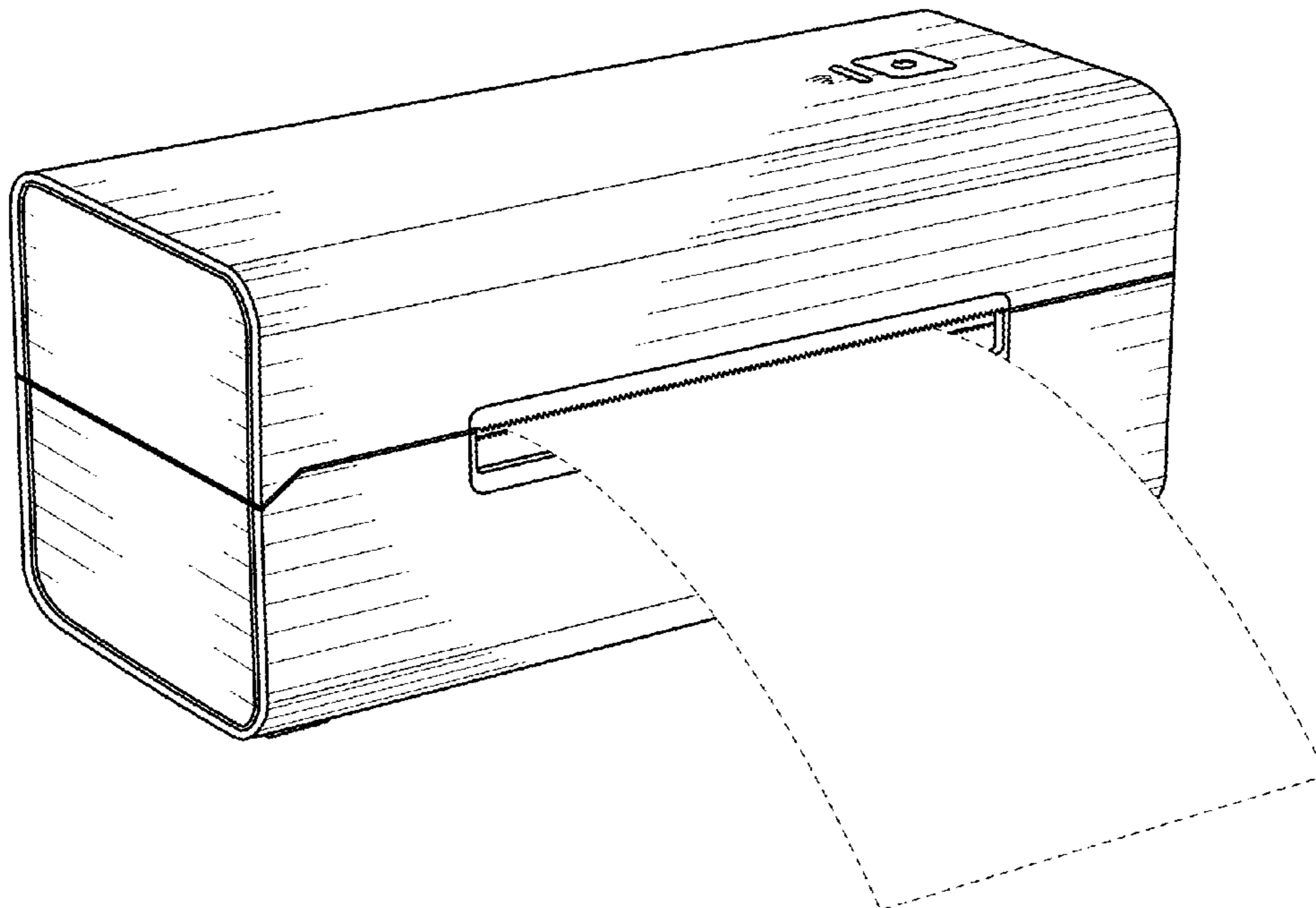
The dashed lines in FIG. 1 depicts a piece of paper, an environmental aspect only and forms no part of the claimed design. The dashed lines of FIGS. 2 and 4 are for purposes of illustrations portions of the printer that form no part of the claimed design.

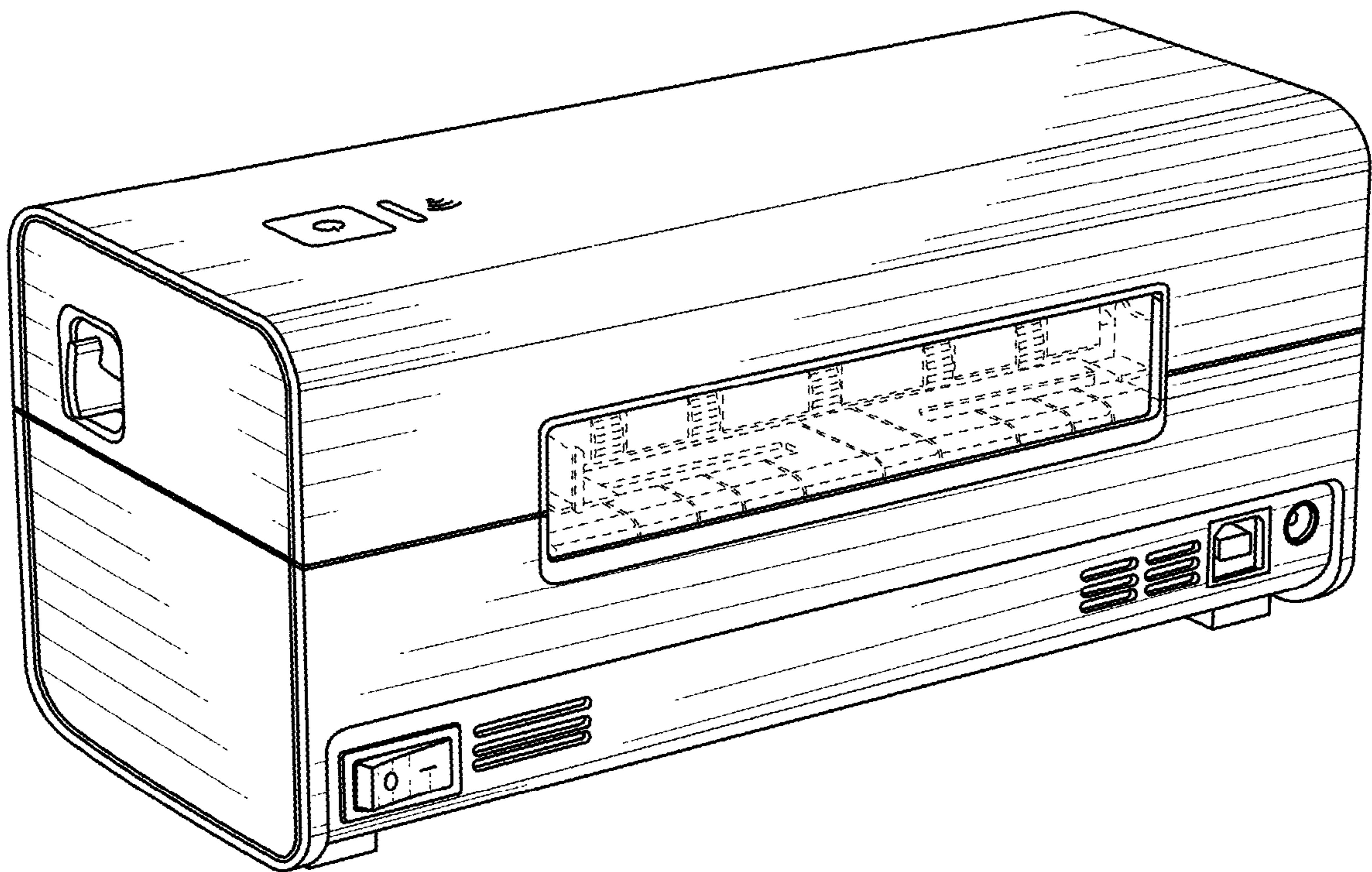
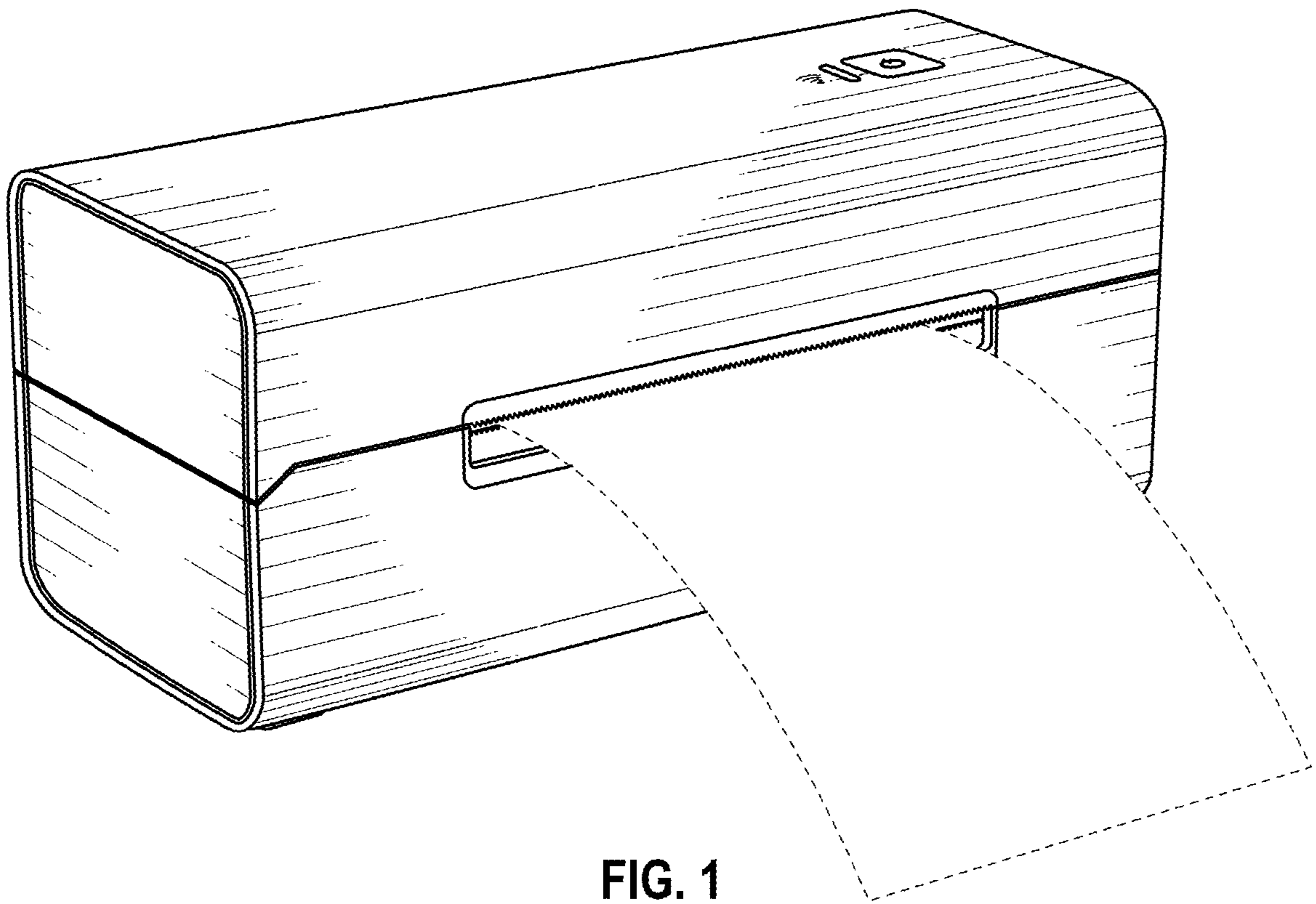
(56) **References Cited**

U.S. PATENT DOCUMENTS

D433,443 S	*	11/2000	Ito	D18/55
D439,608 S	*	3/2001	Gassett	D18/55
D462,087 S	*	8/2002	Dwyer	D18/55
D499,444 S	*	12/2004	Hwang	D18/50
D523,469 S	*	6/2006	Hwang	D18/50
D525,295 S	*	7/2006	Suzuki	D18/55
D648,378 S	*	11/2011	Ishikawa	D18/50
D751,613 S	*	3/2016	Ishizawa	D15/122
D815,198 S	*	4/2018	Faro	D18/50

1 Claim, 4 Drawing Sheets





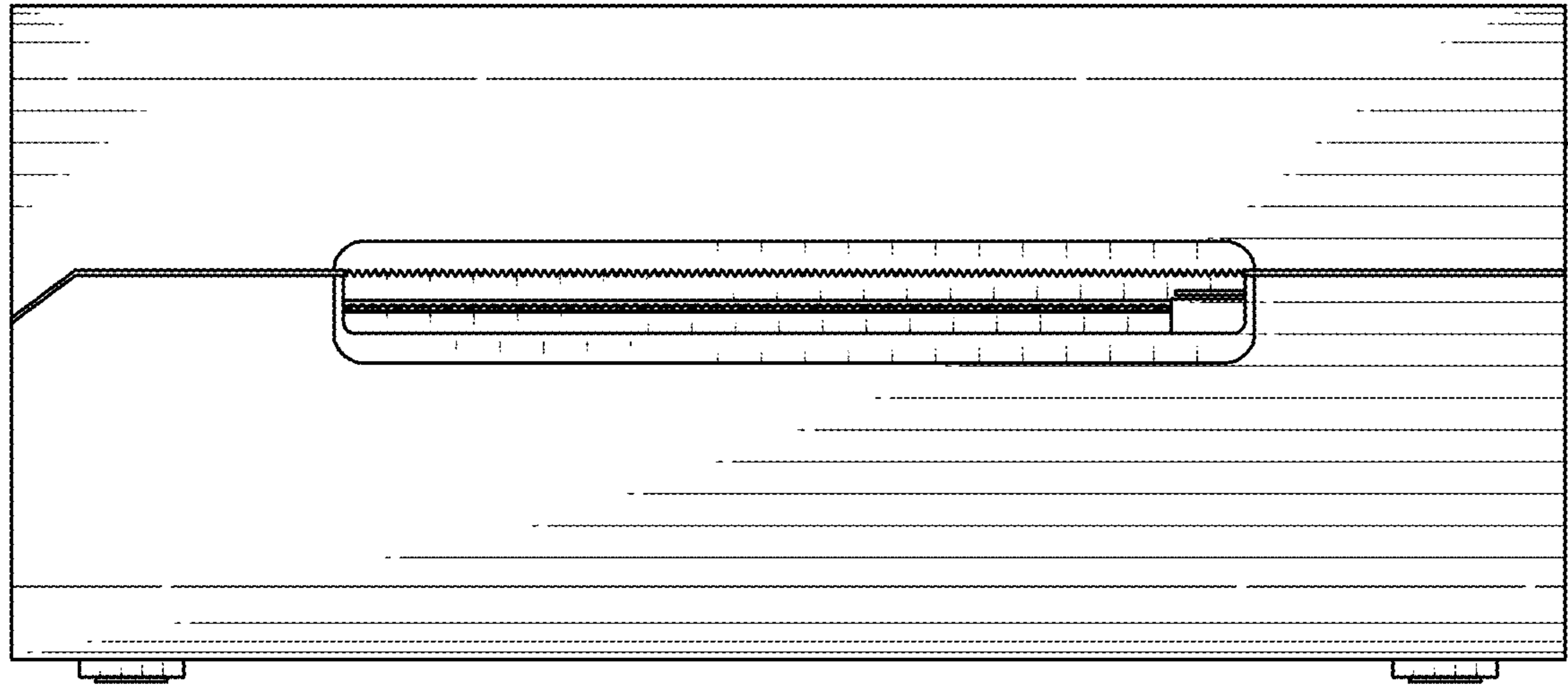


FIG. 3

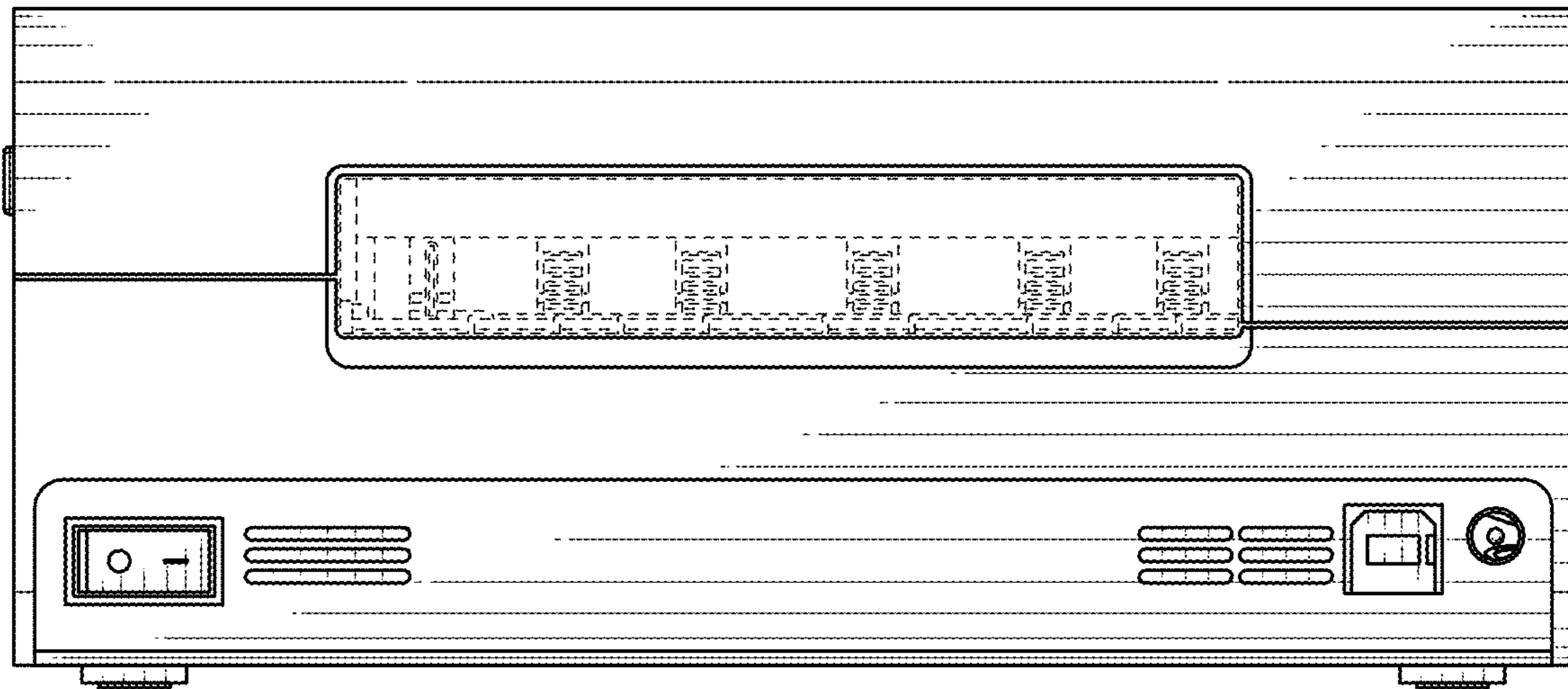


FIG. 4

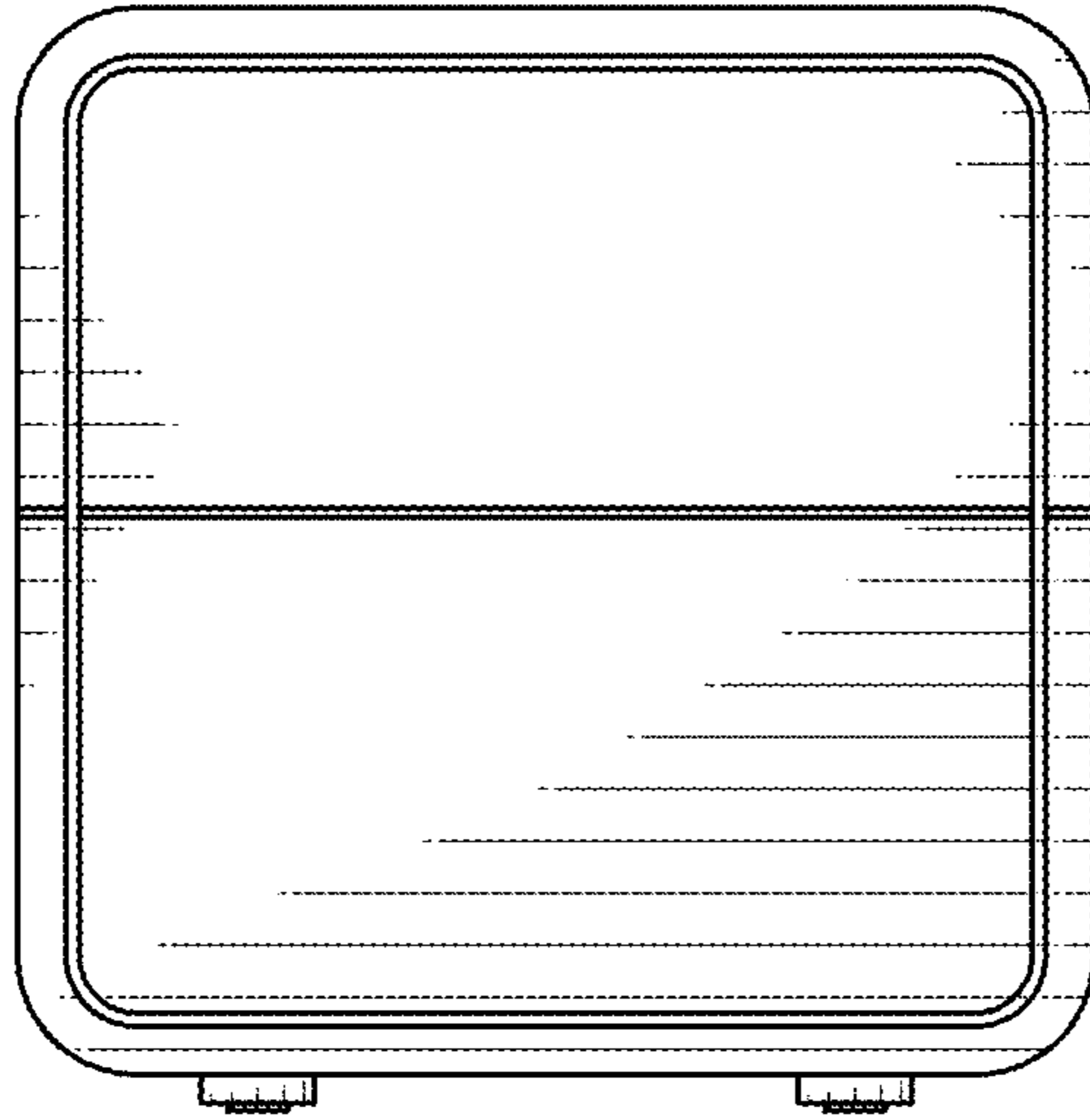


FIG. 5

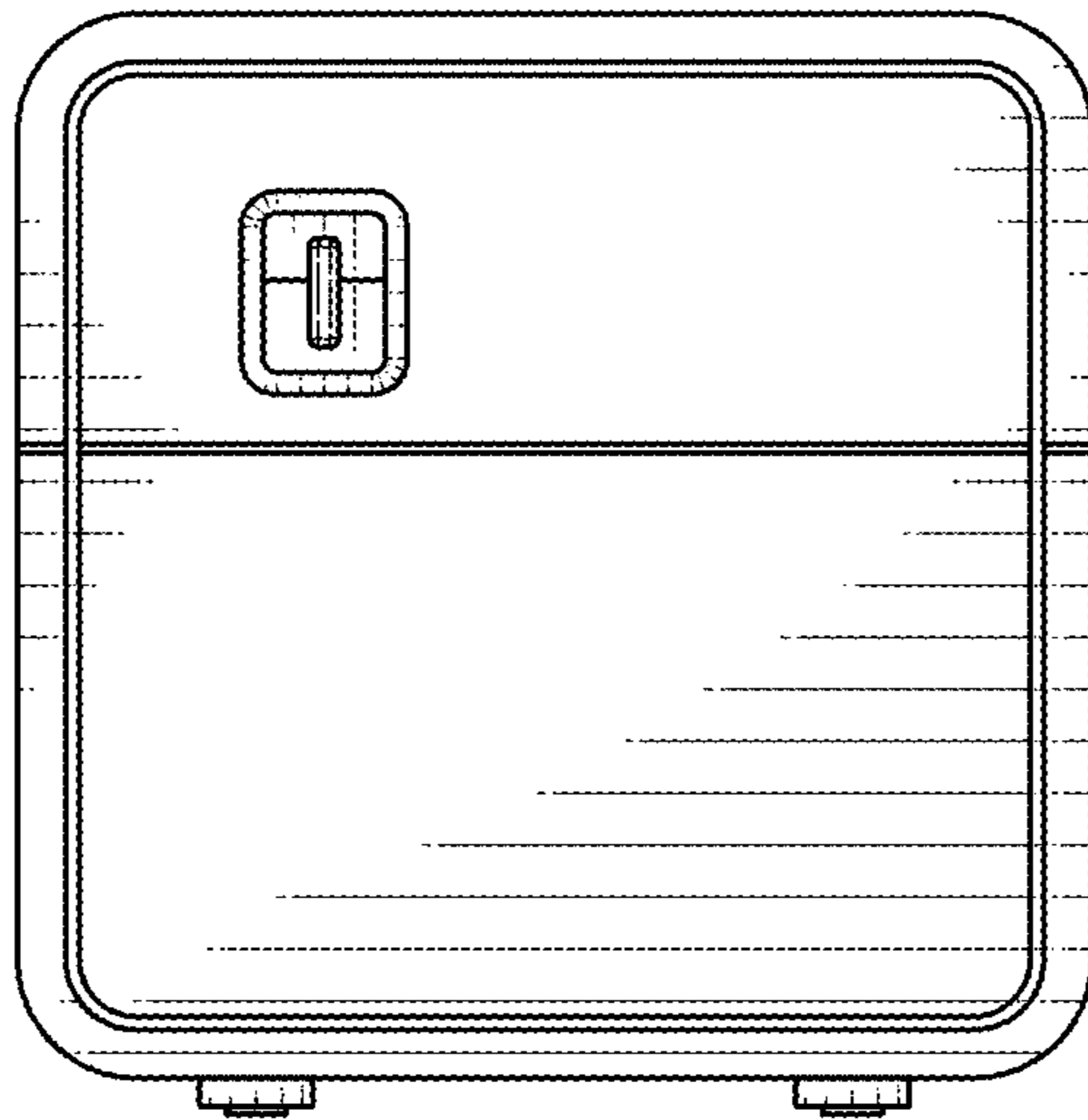


FIG. 6

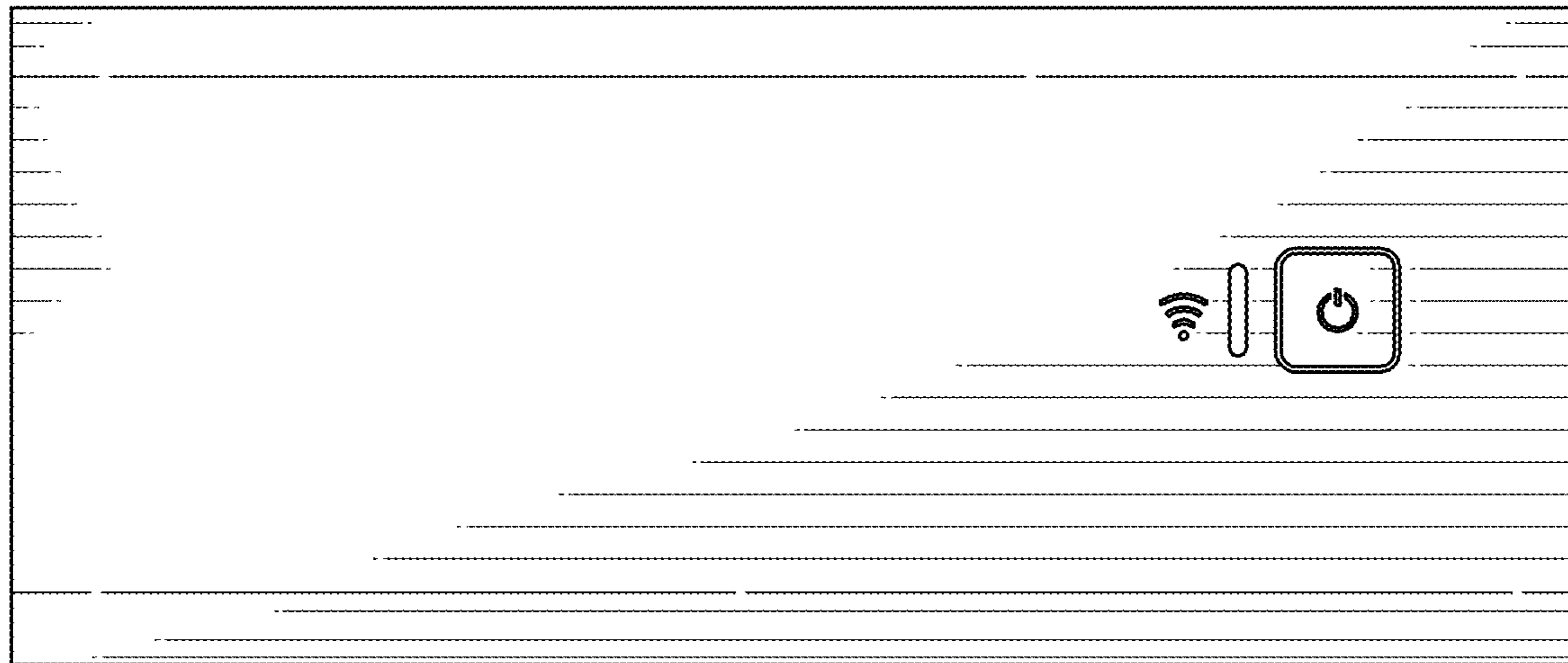


FIG. 7

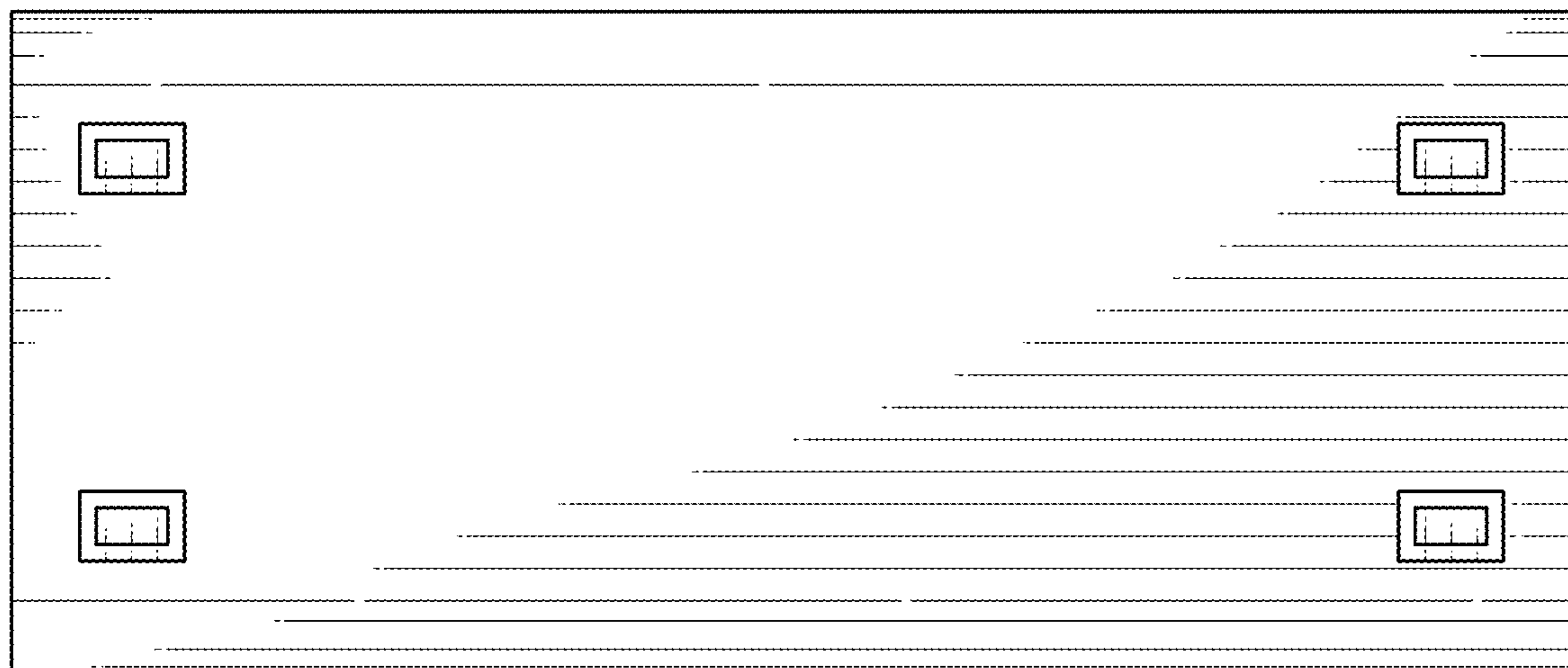


FIG. 8