

US00D946650S

(12) **United States Design Patent**  
**Yang et al.**

(10) **Patent No.:** **US D946,650 S**  
(45) **Date of Patent:** **\*\* Mar. 22, 2022**

(54) **PORTABLE PRINTER**

(71) Applicant: **ZHUHAI BENTSAI PRINTING TECHNOLOGY CO., LTD.**, Zhuhai (CN)

(72) Inventors: **Gaoping Yang**, Zhuhai (CN); **Yang Li**, Zhuhai (CN); **Bailin Zhang**, Zhuhai (CN)

(73) Assignee: **ZHUHAI BENTSAI PRINTING TECHNOLOGY CO., LTD.**, Zhuhai (CN)

(\*\*) Term: **15 Years**

(21) Appl. No.: **29/767,184**

(22) Filed: **Jan. 21, 2021**

(30) **Foreign Application Priority Data**

Dec. 14, 2020 (CN) ..... 202030767469.4

(51) **LOC (13) Cl.** ..... **18-99**

(52) **U.S. Cl.**  
USPC ..... **D18/19**

(58) **Field of Classification Search**  
USPC ..... D18/14, 15, 16, 17, 18, 19, 36, 37, 38, D18/39, 40, 41, 45, 54, 55, 50, 53, 43, D18/56; D19/65, 66, 67, 68, 69, 70, 71; D14/301, 307, 121  
CPC ..... H04N 1/00204; H04N 1/00249; H04N 1/00278; G06K 15/12; G06K 15/14; B41J 3/00; B41J 3/28; B41J 3/445; B41J 3/46; B41J 11/0045; B41J 2/3358; B41J 3/36; B41J 3/382

See application file for complete search history.

(56) **References Cited**

**U.S. PATENT DOCUMENTS**

D307,157 S \* 4/1990 Sakaguchi ..... D18/54  
D316,106 S \* 4/1991 Yamatogi ..... D18/36

D318,291 S \* 7/1991 Ohnumata ..... D18/36  
D373,791 S \* 9/1996 Nobata ..... D18/56  
D491,218 S \* 6/2004 Masamitsu ..... D18/50  
D533,216 S \* 12/2006 Sato ..... D18/50  
D594,504 S \* 6/2009 Hattori ..... D18/19  
D604,761 S \* 11/2009 Suzuki ..... D13/162.1  
D732,108 S \* 6/2015 Ryu ..... D18/50

(Continued)

**FOREIGN PATENT DOCUMENTS**

CA 2501092 A1 \* 10/2005 ..... B41J 3/46  
CN 302030869 \* 8/2012

**OTHER PUBLICATIONS**

Walmart. Link: <https://www.walmart.com/ip/GOOJPRT-P6-Pocket-Mini-Printer-Portable-BT-Wireless-Thermal-Receipt-Label-Sticker-Memo-AR-Photo-Picture-Instant-Mobile-203DPI-Resolution-Compatible-A/418162801?athbdg=L1700>. Visited Jan. 27, 2022. GOOJPRT P6 Pocket Mini Printer. (Year: 2022).\*

(Continued)

*Primary Examiner* — Lauren D McVey

(74) *Attorney, Agent, or Firm* — Bayramoglu Law Offices LLC

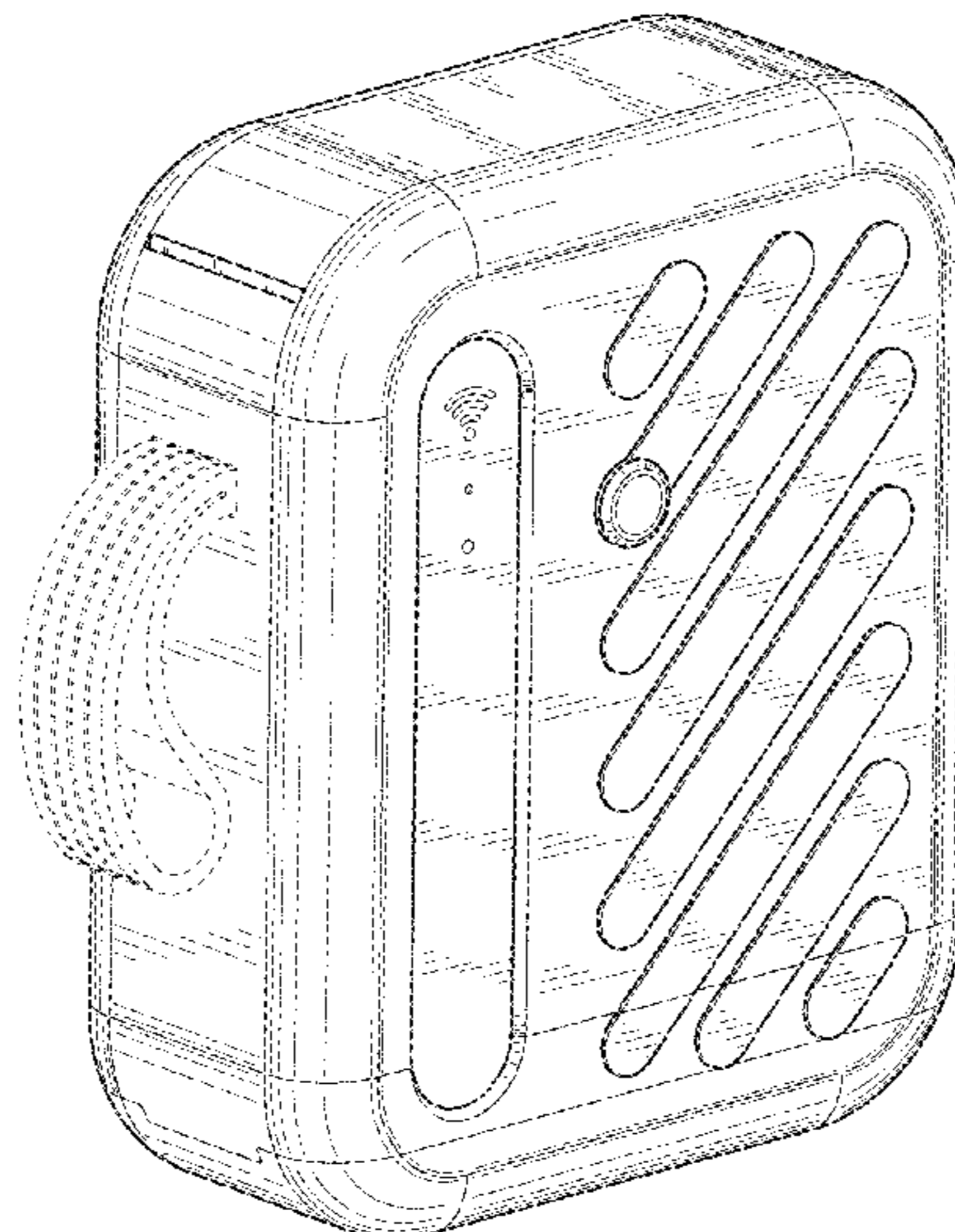
(57) **CLAIM**

The ornamental design for a portable printer, as shown and described.

**DESCRIPTION**

FIG. 1 is a perspective view of a portable printer showing our new design;  
FIG. 2 is a front view thereof;  
FIG. 3 is a rear view thereof;  
FIG. 4 is a left side view thereof;  
FIG. 5 is a right side view thereof;  
FIG. 6 is a top view thereof; and,  
FIG. 7 is a bottom view thereof.  
The broken lines depict portions that form no part of the claimed design.

**1 Claim, 7 Drawing Sheets**



(56)

**References Cited**

U.S. PATENT DOCUMENTS

D760,834 S \* 7/2016 Takahashi ..... D18/19  
D760,835 S \* 7/2016 Takahashi ..... D18/19  
D799,590 S \* 10/2017 Dwyer ..... D18/50  
D876,536 S \* 2/2020 Shirley ..... D18/50

OTHER PUBLICATIONS

Amazon. Link: [https://www.amazon.com/BENTSAI-Handheld-Printer-Printing-Production/dp/B09FL1CK81/ref=sr\\_1\\_19?crid=1B0DO6SB6JUZP&keywords=handheld+printer&qid=1643285212&srefix=handheld+printers%2Caps%2C80&sr=8-19](https://www.amazon.com/BENTSAI-Handheld-Printer-Printing-Production/dp/B09FL1CK81/ref=sr_1_19?crid=1B0DO6SB6JUZP&keywords=handheld+printer&qid=1643285212&srefix=handheld+printers%2Caps%2C80&sr=8-19). Sep. 7, 2021. Bentsai B10 Mini Handheld Printer. (Year: 2021).\*

Walmart. Link: <https://www.walmart.com/ip/Mini-Thermal-Label-Printer-Inkless-Portable-Bluetooth-Label-Sticker-Maker-Mini-Bulk-Printer/361638775?athbdg=L1700>. Visited Jan. 28, 2022. Movsou Mini Thermal Label Printer. (Year: 2022).\*

\* cited by examiner

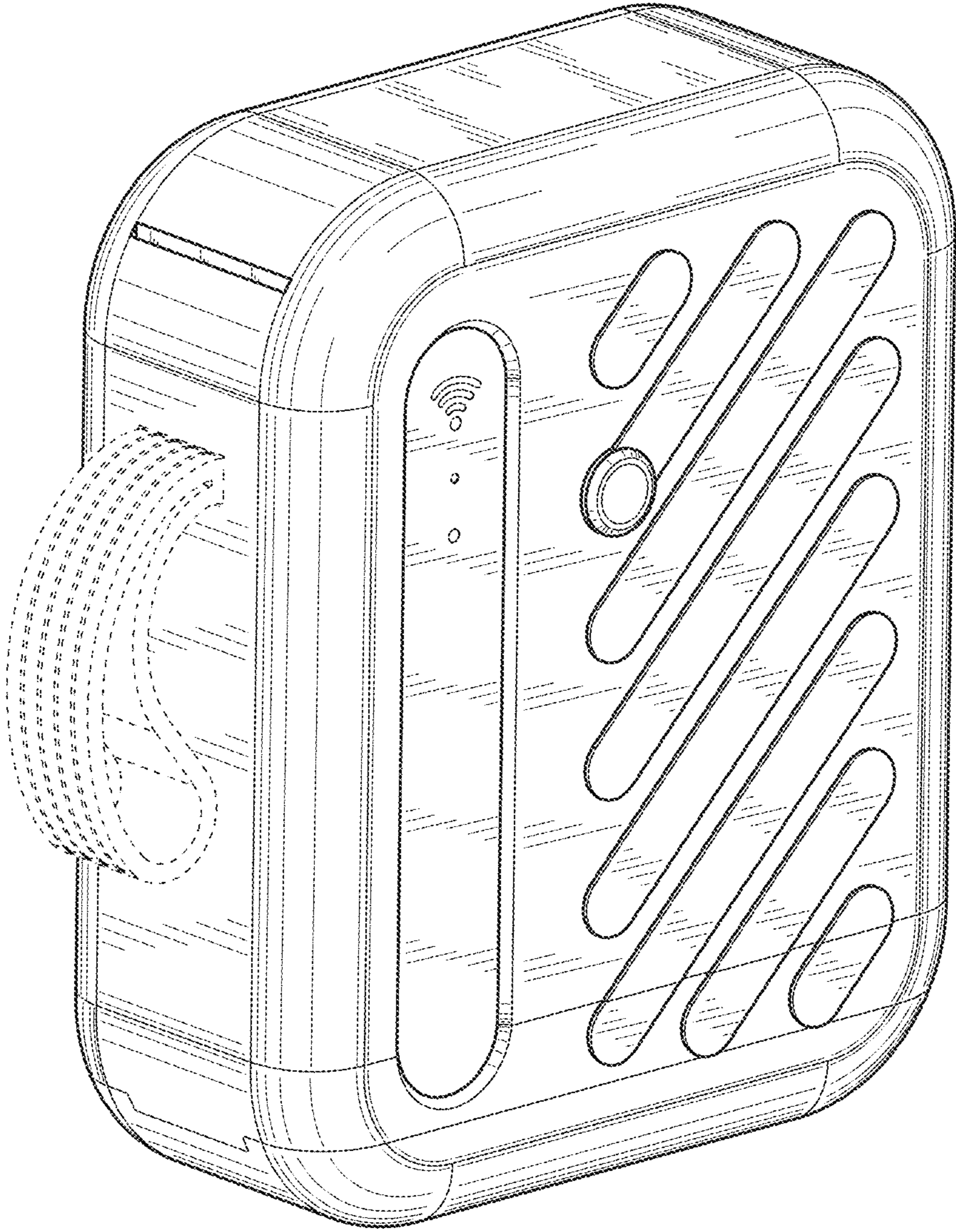


Fig. 1

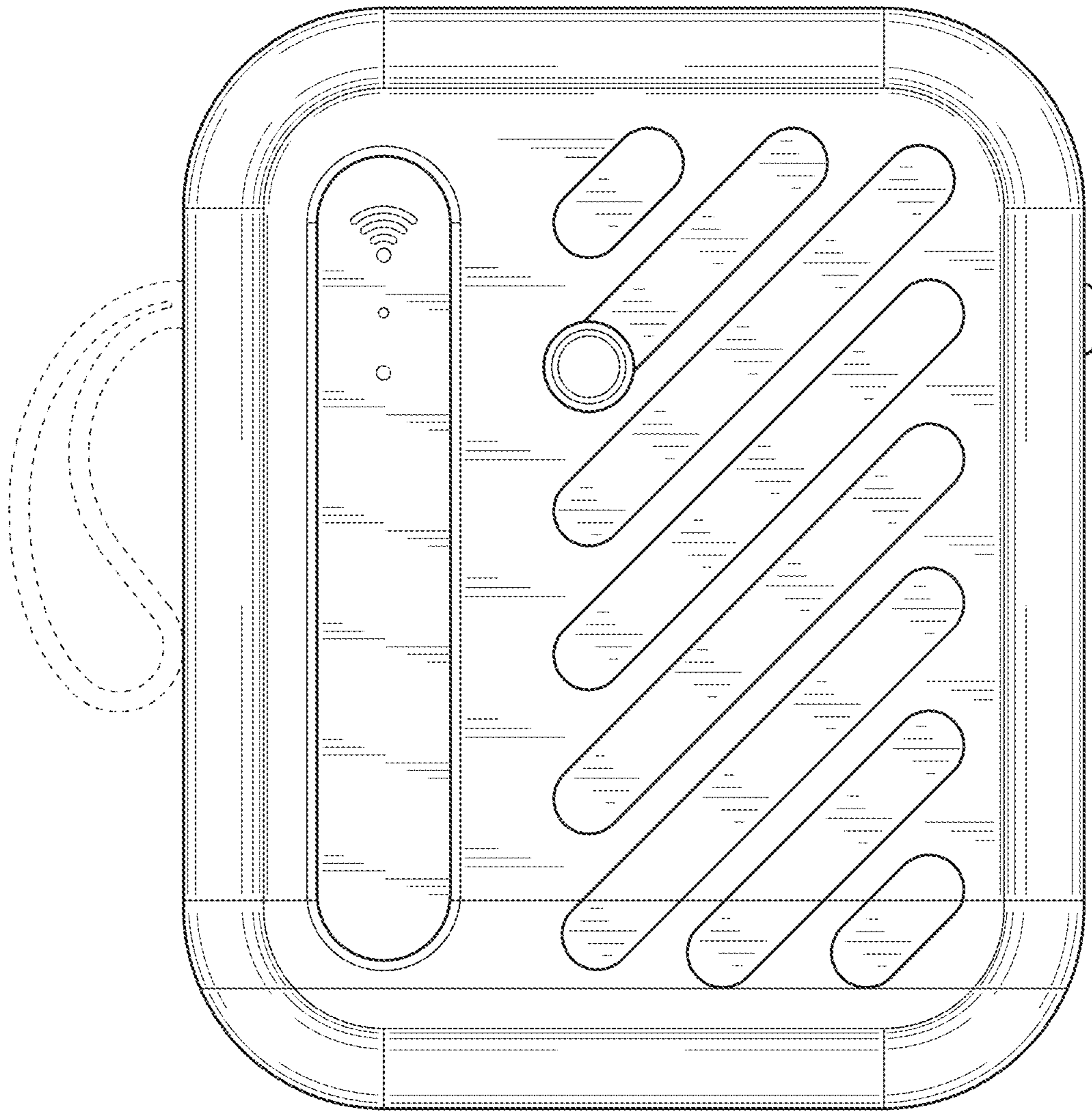


Fig. 2

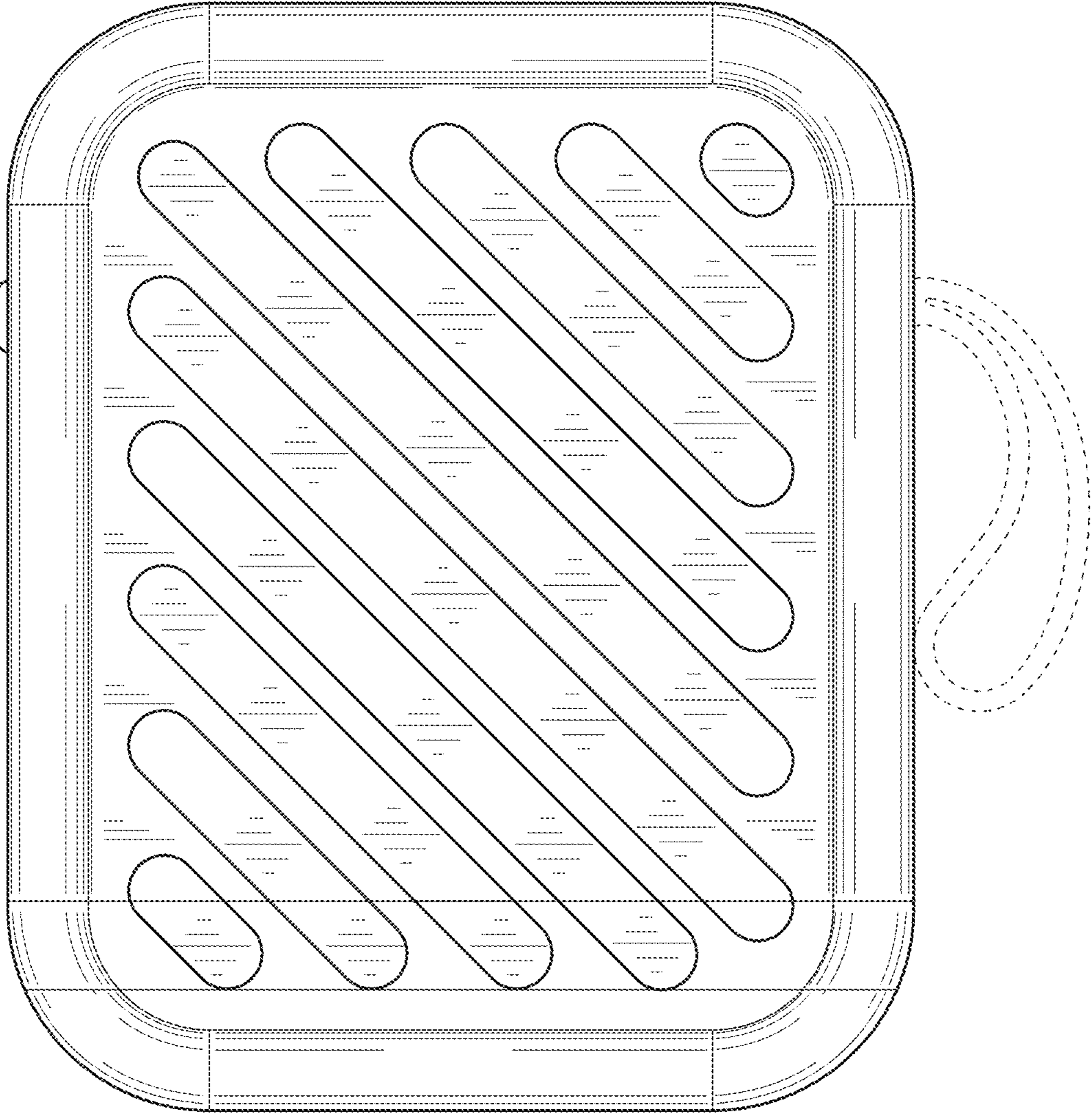


Fig. 3

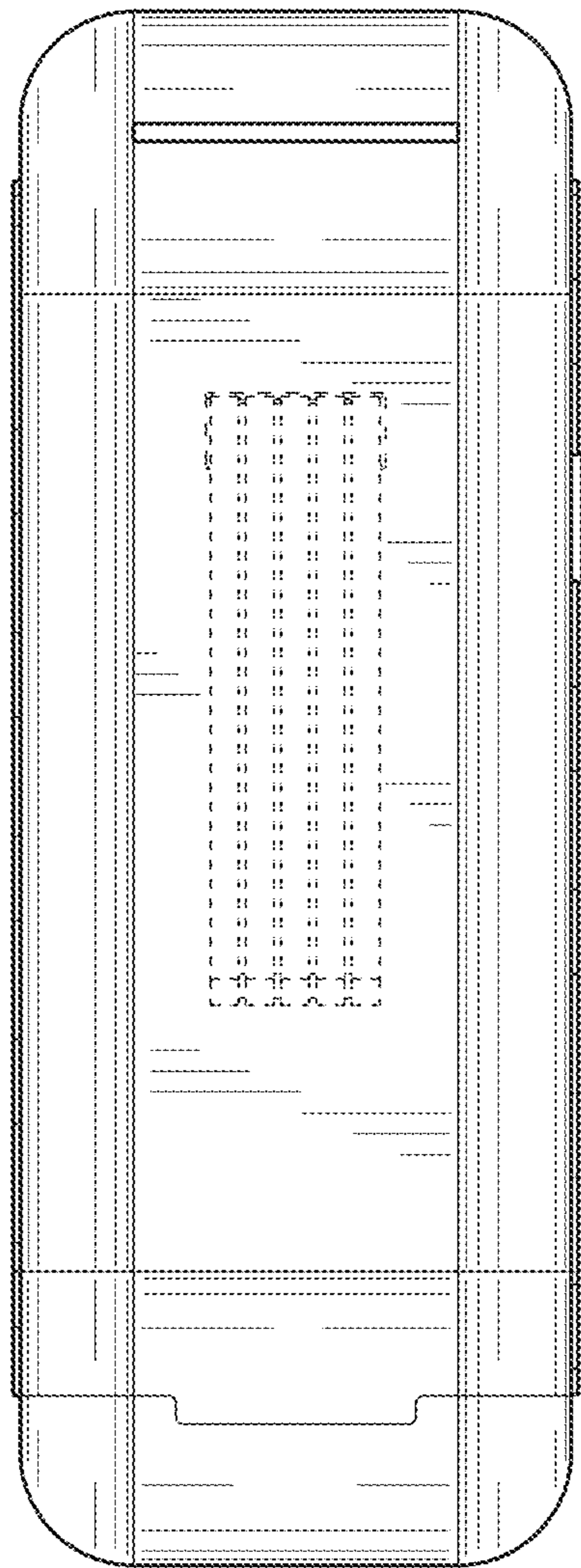


Fig. 4

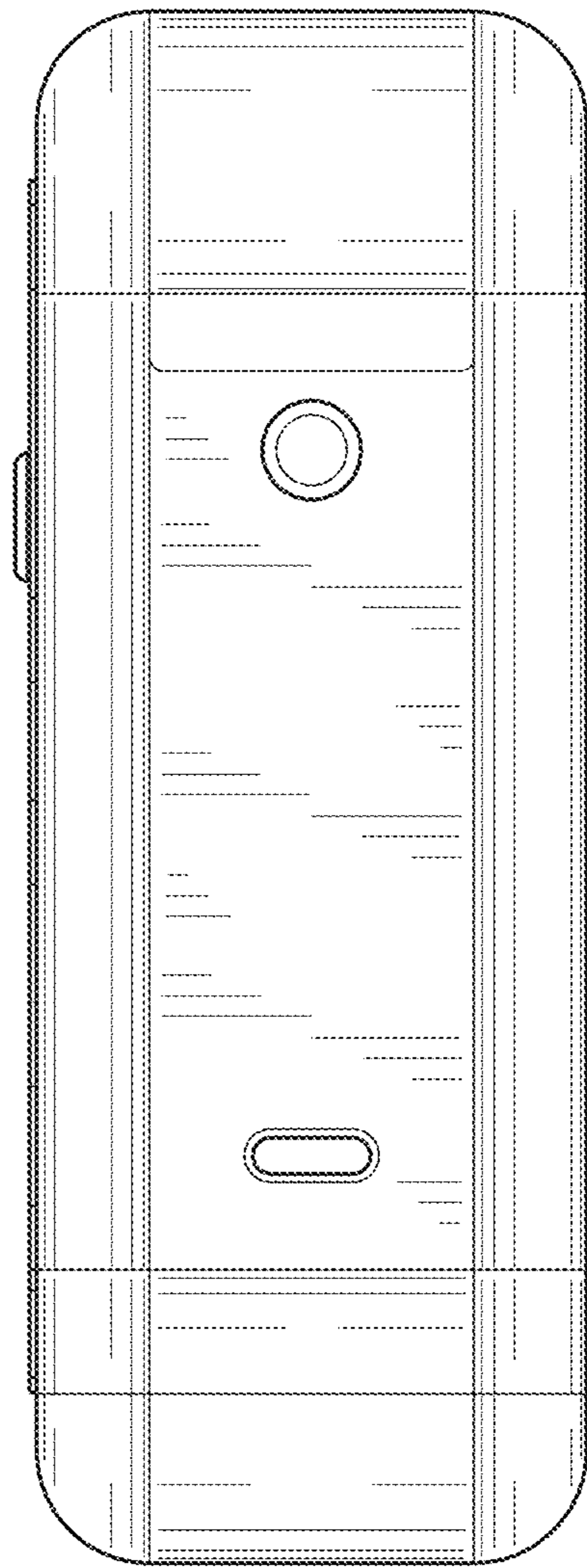


Fig. 5

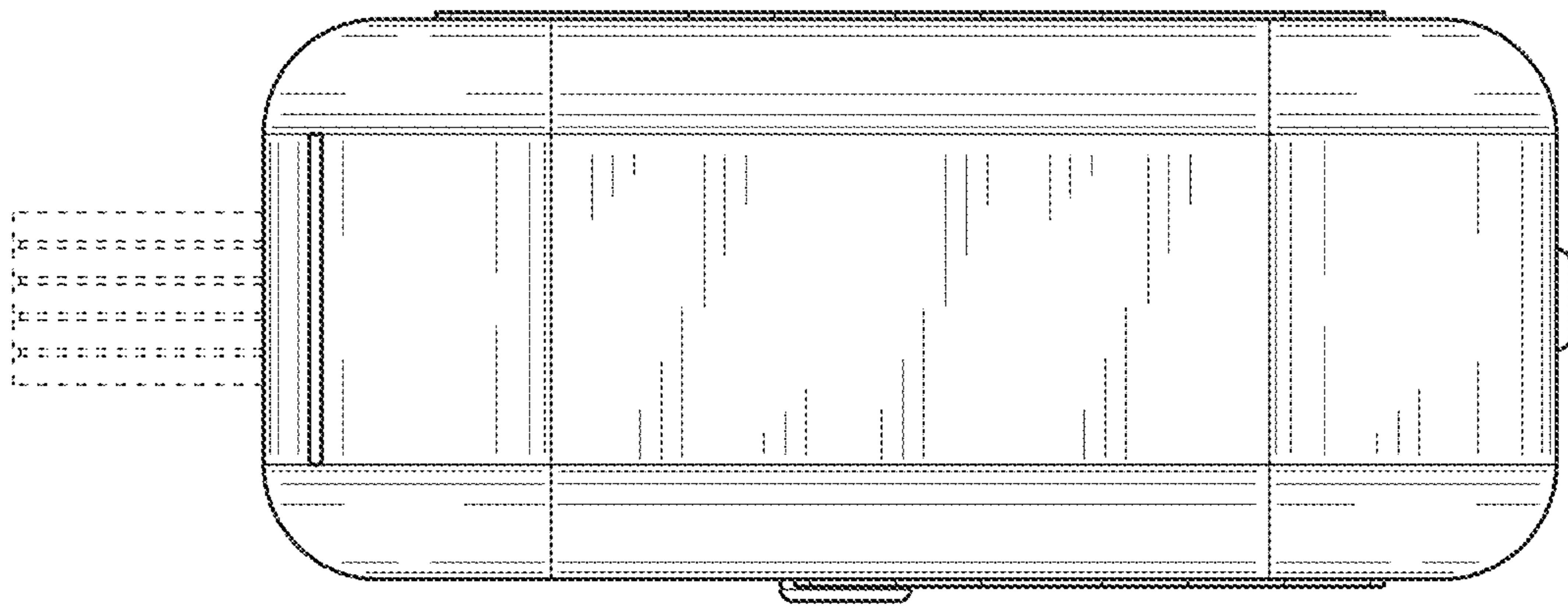


Fig. 6



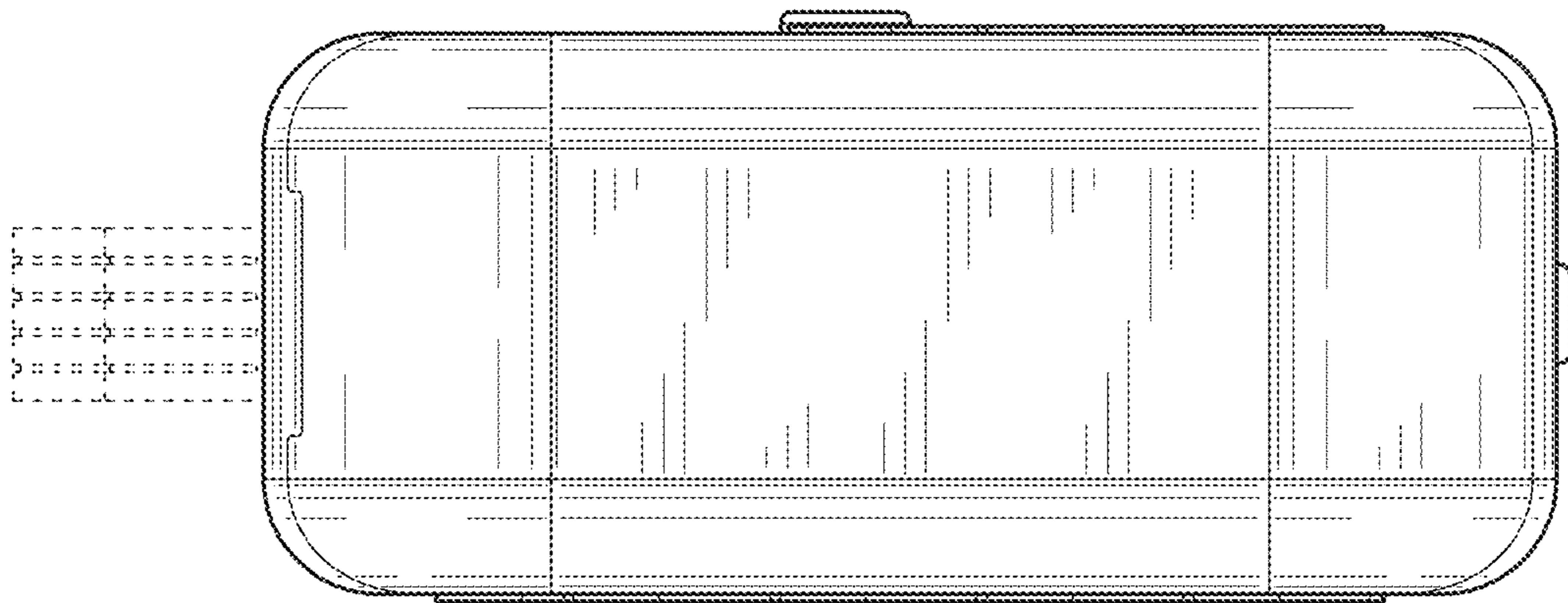


Fig. 7