



US00D946645S

(12) **United States Design Patent** (10) **Patent No.:** **US D946,645 S**  
**Luo** (45) **Date of Patent:** **\*\* Mar. 22, 2022**

(54) **FILL LIGHT**

(71) Applicant: **Huagen Luo**, Shenzhen (CN)

(72) Inventor: **Huagen Luo**, Shenzhen (CN)

(\*\*) Term: **15 Years**

(21) Appl. No.: **29/777,705**

(22) Filed: **Apr. 8, 2021**

(51) **LOC (13) Cl.** ..... **16-05**

(52) **U.S. Cl.**  
USPC ..... **D16/239**

(58) **Field of Classification Search**

USPC ..... D16/208–209, 219, 221, 225, 229,  
D16/237–250; D8/354, 355, 363, 373;  
D14/224, 229, 238, 251, 253, 447, 451,  
D14/457; D26/37, 106  
CPC ..... A45F 5/00; A45F 5/10; A45F  
2200/0508–0533; F16M 11/06–10; F16M  
11/14; G02B 7/00–002; G02B 25/00;  
G03B 17/56; G03B 17/561–566; G03B  
21/10–116; H04N 5/2253–2254  
See application file for complete search history.

(56) **References Cited**

**U.S. PATENT DOCUMENTS**

D577,052 S	*	9/2008	Orion	.....	D16/239
D582,955 S	*	12/2008	Sekine	.....	D16/218
D614,224 S	*	4/2010	Orion	.....	D16/239
D659,867 S	*	5/2012	Zhan	.....	D26/37
D699,279 S	*	2/2014	Zhan	.....	D16/239
D699,779 S	*	2/2014	Zhan	.....	D16/239
D702,863 S	*	4/2014	Kotsis	.....	D26/37
D740,985 S	*	10/2015	Dooley	.....	D26/37
D884,767 S	*	5/2020	Calik	.....	D16/202
D885,469 S	*	5/2020	Chen	.....	D16/239
D892,199 S		8/2020	Peng		
D910,898 S		2/2021	Chen et al.		
D928,863 S	*	8/2021	Alberstein	.....	D16/239

**OTHER PUBLICATIONS**

Professional Led Video Fill Light Led Selfie Light For Mobile Phone With Clip, [online] Retrieved Jan. 13, 2022 from URL: <https://www.globalsources.com/Clip-on-lamp/video-light-1186831716p.htm> (Year: 2022).\*

LETWING W64 Video Conference Lighting Kit . . . [online] First available on Amazon Jan. 22, 2021. Retrieved from URL: <https://www.amazon.com.au/LETWING-Conference-Broadcasting-Streaming-Conferencing/dp/B08TRCP28D> (Year: 2021).\*

DSLR Vlog Fill Light Photography Studio Light, [online] Retrieved Jan. 10, 2022 from URL: <https://it.aliexpress.com/item/1005003252177318.html> (Year: 2022).\*

VIJIM VL100C Bi-Color LED Video Light on Camera, Mini Rechargeable, [online] Published on Aug. 24, 2020. Retrieved Jan. 10, 2022 from URL: <https://www.amazon.com/VIJIM-Bi-Color-Adjustable-Rechargeable-2500-6500K/dp/B08GK6F9C7> (Year: 2020).\*

\* cited by examiner

*Primary Examiner* — Vy N Koenig

(57) **CLAIM**

The ornamental design for a fill light, as shown and described.

**DESCRIPTION**

FIG. 1 is a perspective view of a fill light showing my new design;

FIG. 2 is another perspective view thereof;

FIG. 3 is a front elevational view thereof;

FIG. 4 is a rear elevational view thereof;

FIG. 5 is a left side elevational view thereof;

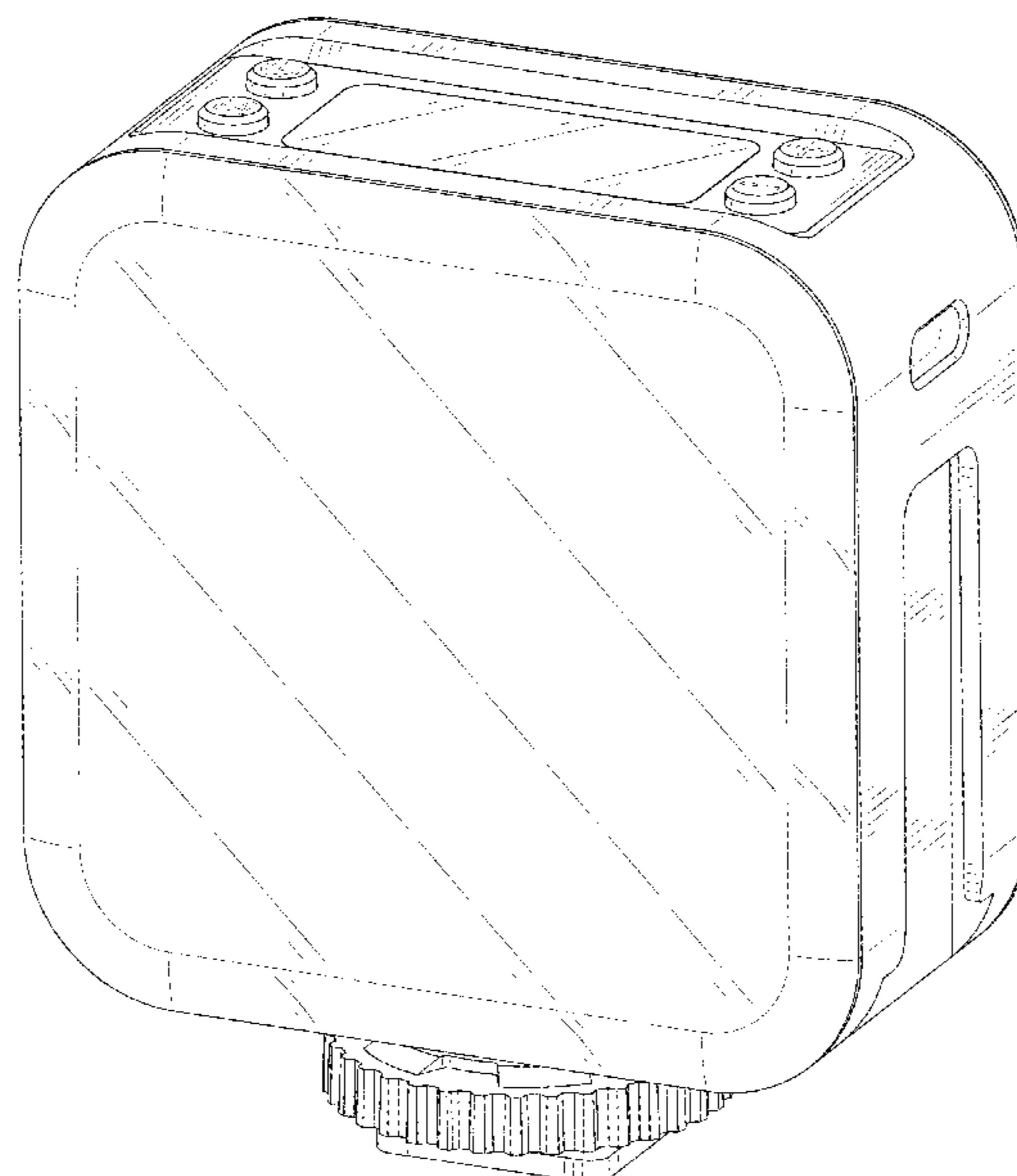
FIG. 6 is a right side elevational view thereof;

FIG. 7 is a top plan view thereof; and,

FIG. 8 is a bottom plan view thereof.

The broken lines in the drawings depict portions of the fill light that form no part of the claimed design.

**1 Claim, 8 Drawing Sheets**



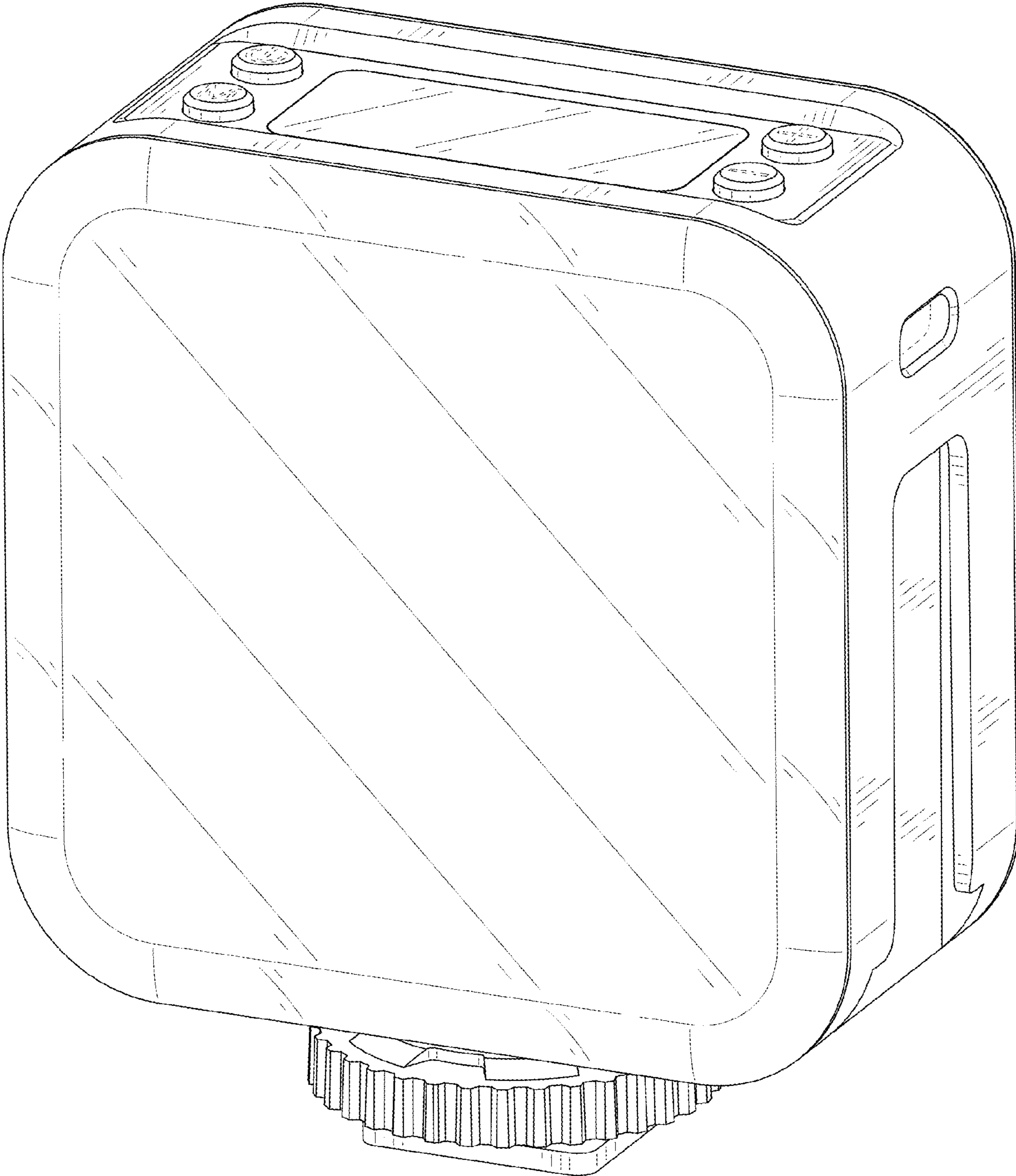


FIG. 1

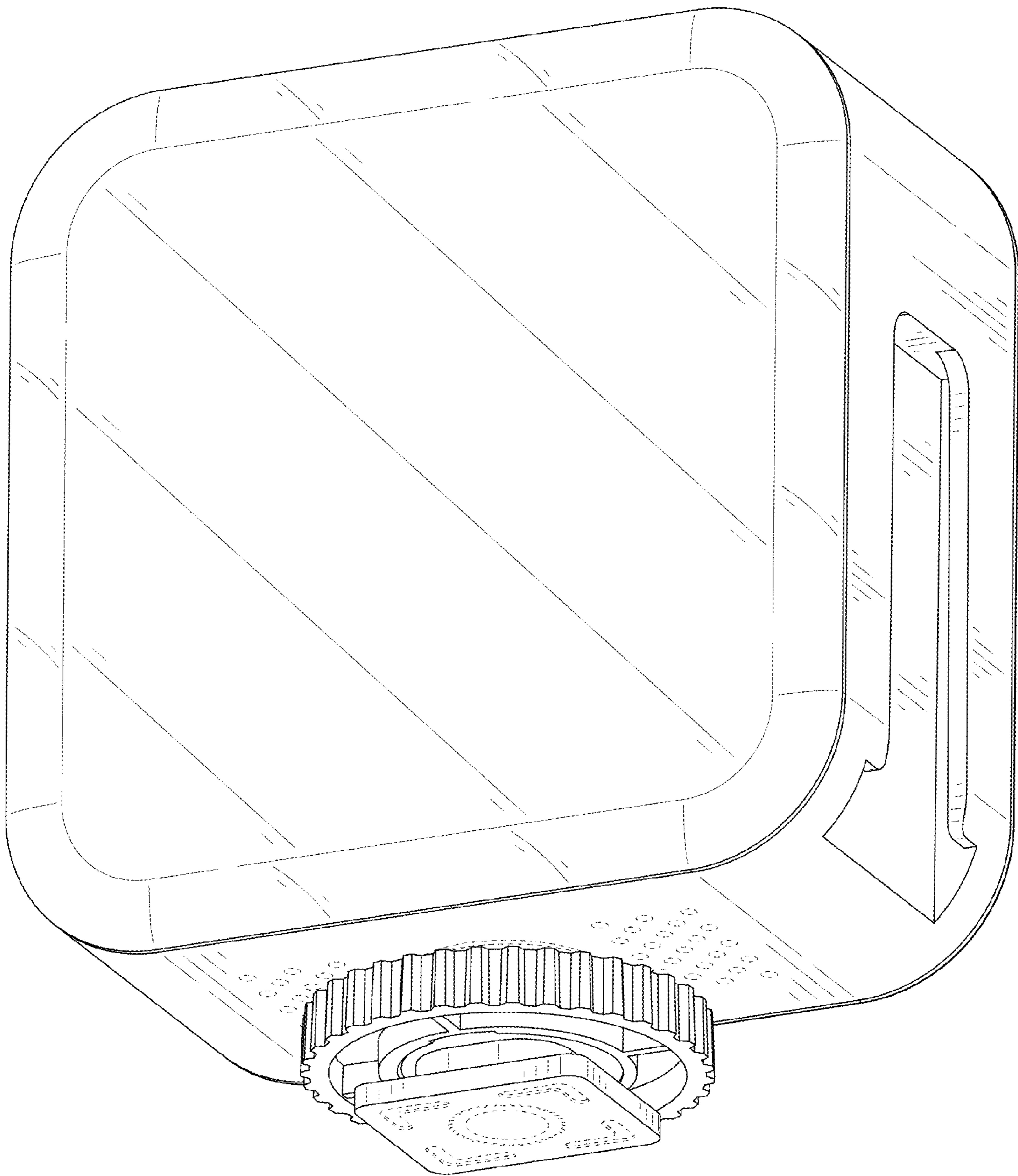


FIG. 2

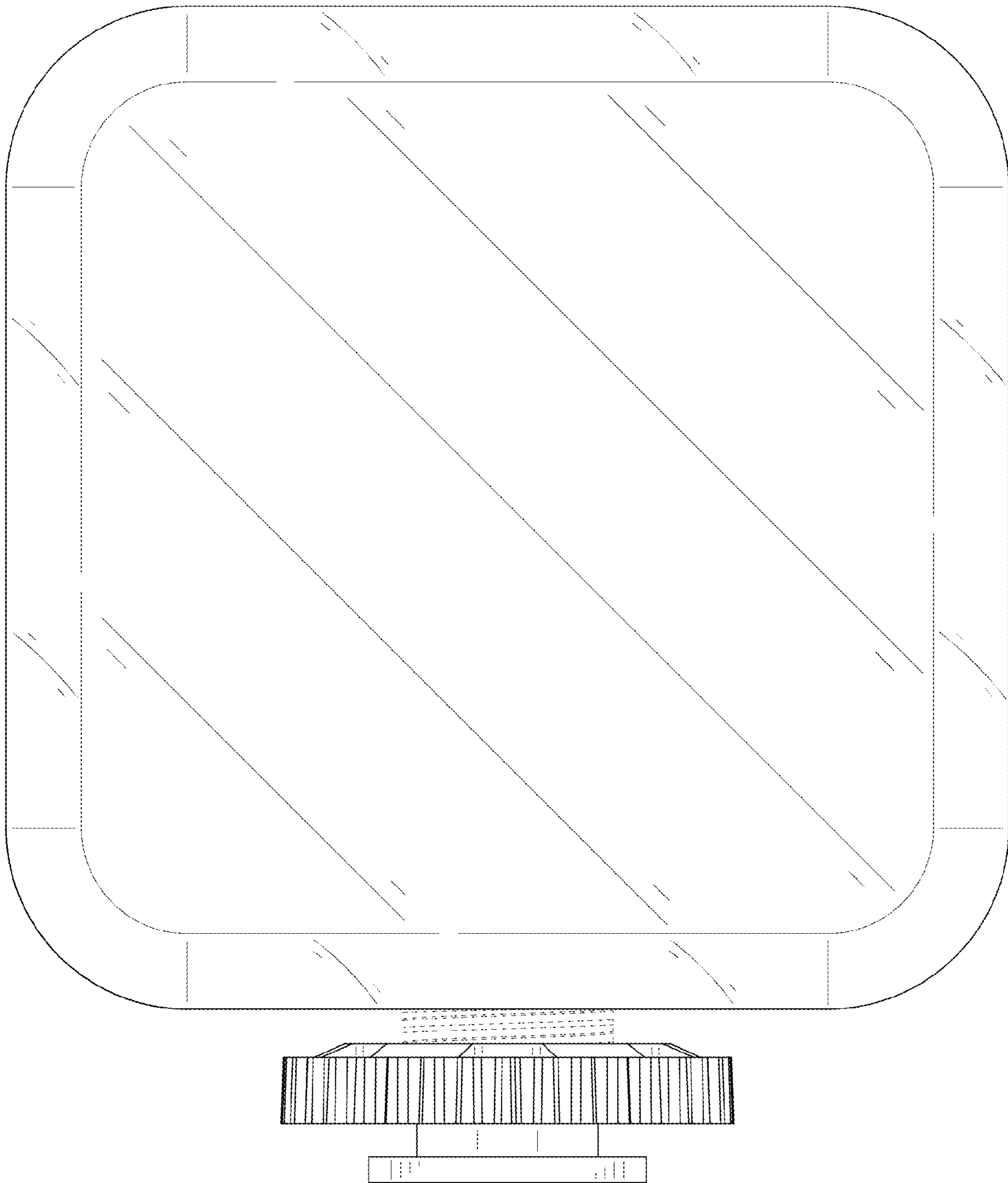


FIG. 3

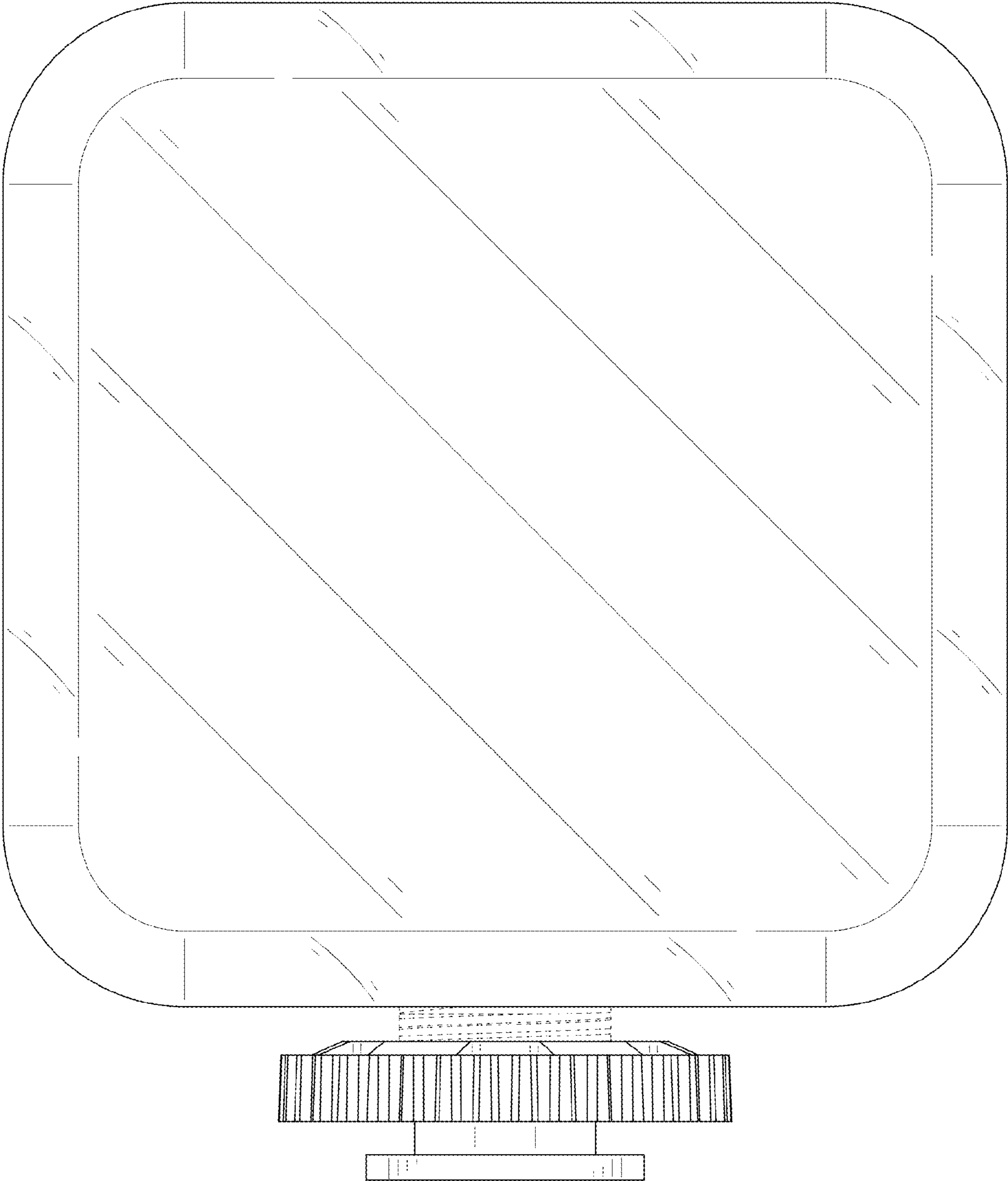


FIG. 4

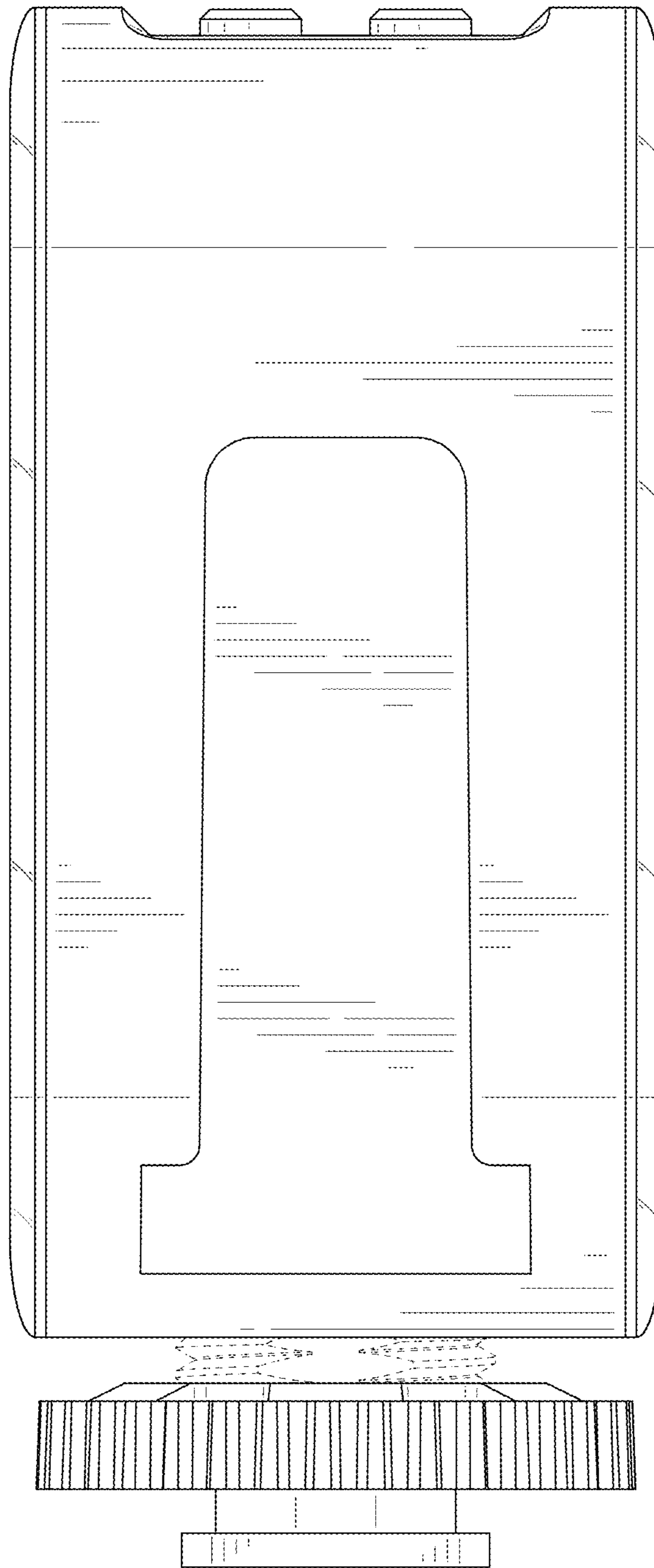


FIG. 5

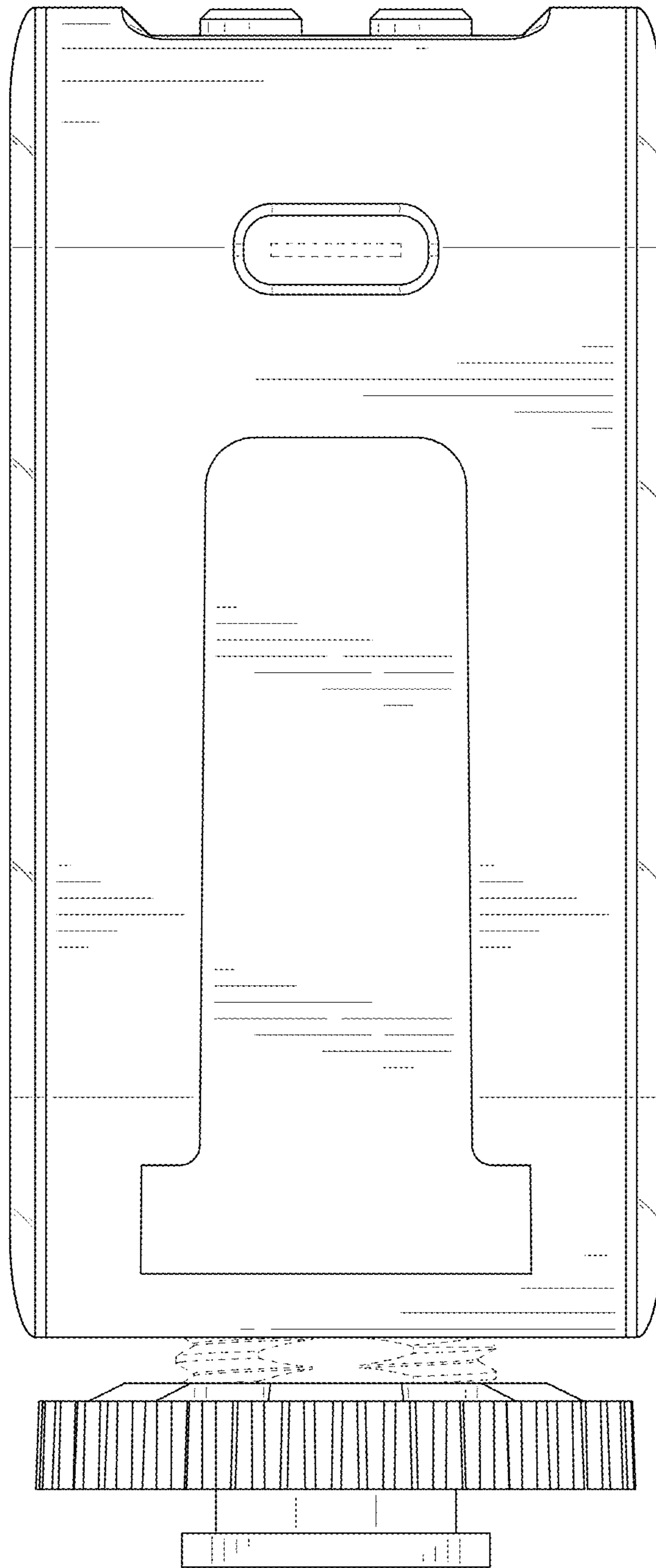


FIG. 6

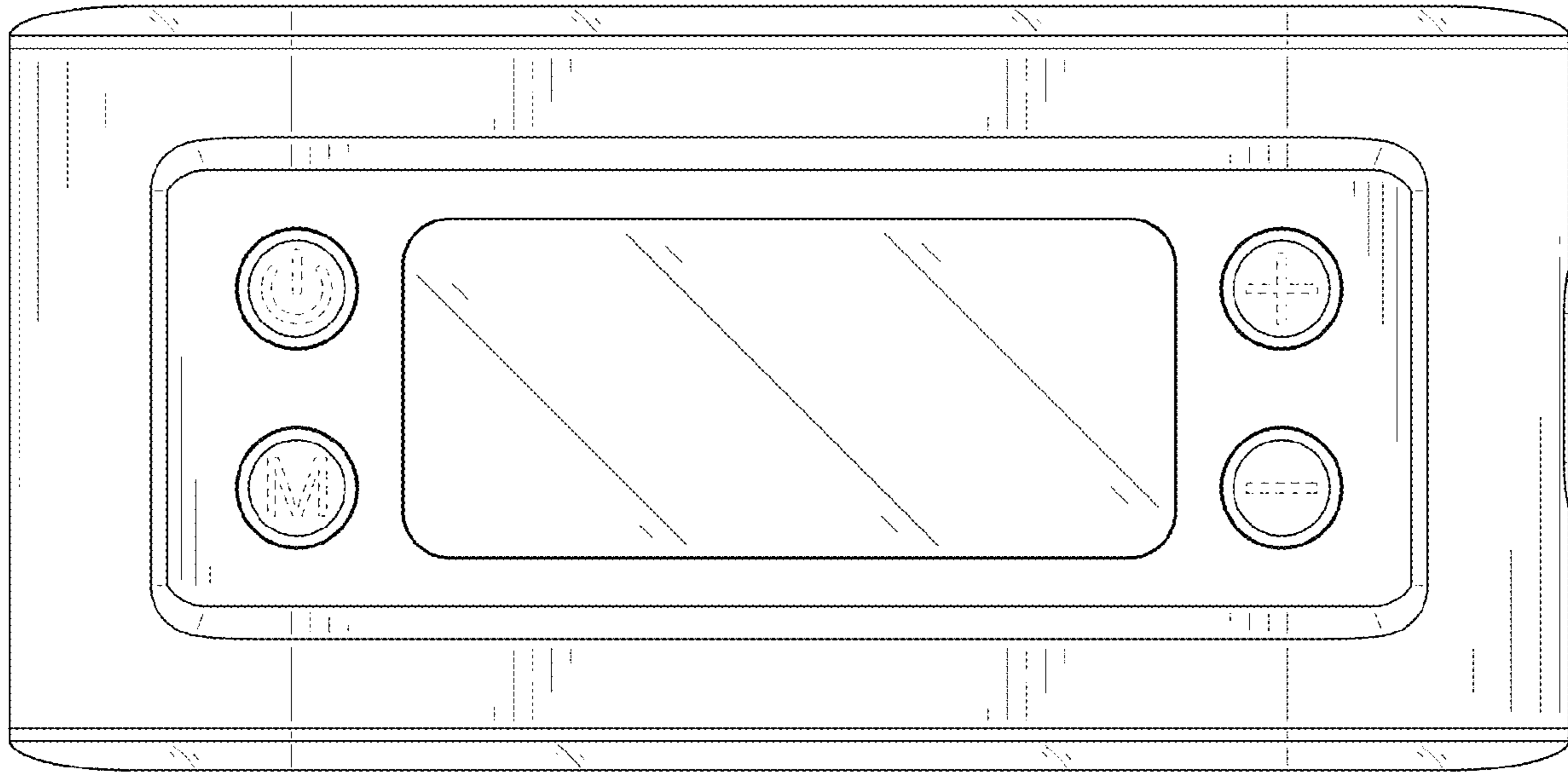


FIG. 7



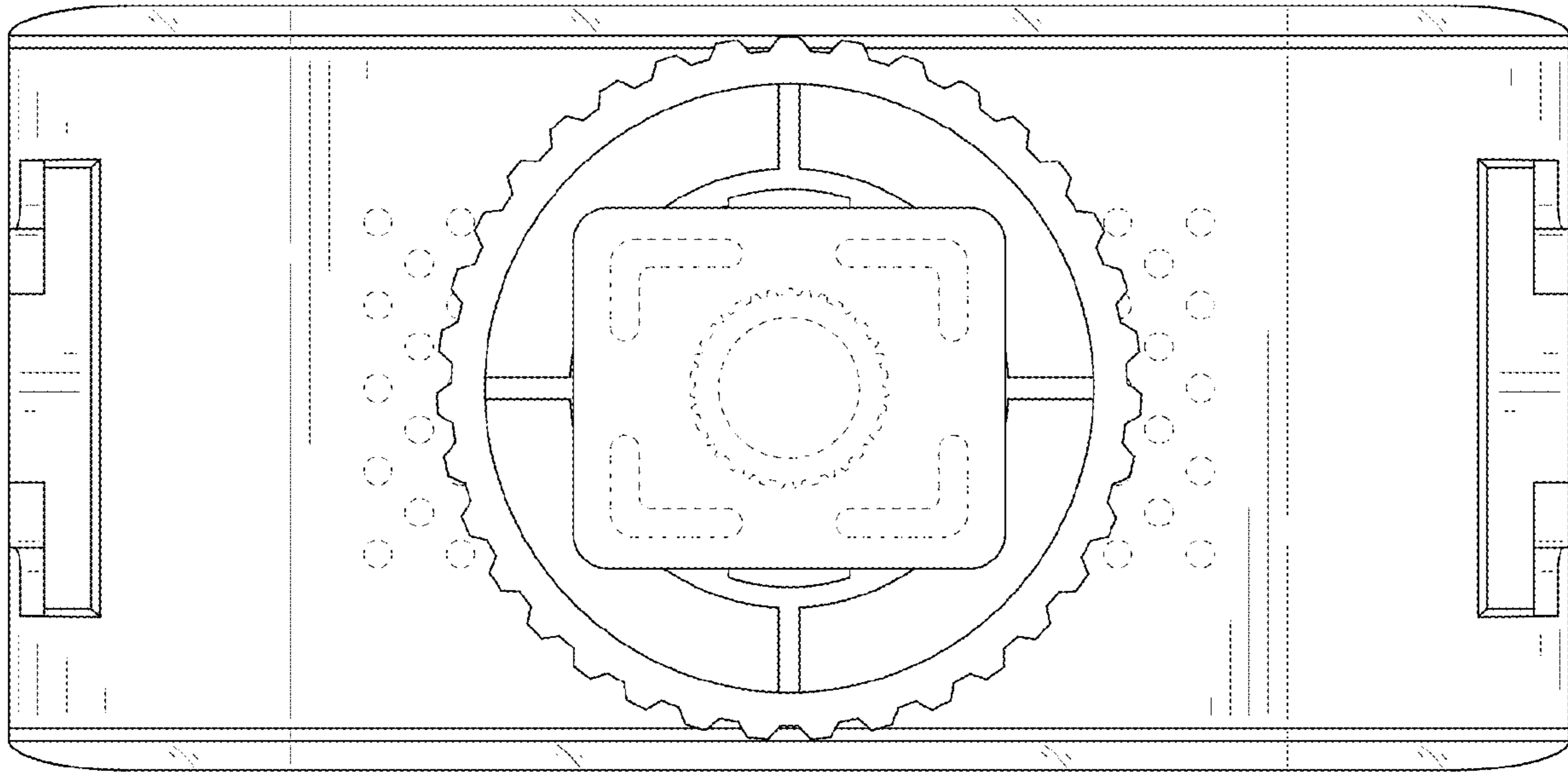


FIG. 8