

US00D946644S

(12) **United States Design Patent**
Lin

(10) **Patent No.:** **US D946,644 S**
(45) **Date of Patent:** **** Mar. 22, 2022**

(54) **PHOTOGRAPHIC LIGHTING DIFFUSER WITH TRIPOD STAND**

(71) Applicant: **YUEQING YOUYOU E-COMMERCE CO., LTD.**, Yueqing (CN)

(72) Inventor: **Dongdong Lin**, Yueqing (CN)

(73) Assignee: **YUEQING YOUYOU E-COMMERCE CO., LTD.**, Yueqing (CN)

(**) Term: **15 Years**

(21) Appl. No.: **29/757,635**

(22) Filed: **Nov. 6, 2020**

(51) **LOC (13) Cl.** **16-05**

(52) **U.S. Cl.**
USPC **D16/237; D16/244**

(58) **Field of Classification Search**
USPC **D16/219, 237-350; D26/63**
(Continued)

(56) **References Cited**

U.S. PATENT DOCUMENTS

4,757,425 A * 7/1988 Waltz G03B 15/06
362/18
4,807,089 A * 2/1989 Nussli G03B 15/06
362/17

(Continued)

OTHER PUBLICATIONS

29757635_OrbitForeignRefs.pdf. Design © Questel orbit.com. [Online PDF compilation of references] 4 pgs. Retrieved Sep. 9, 2021 from URL: <https://www.orbit.com/export/QPTUJ190/pdf2/d8f9afa3-ae59-4aa0-b75a-acbdcb34086b-202037.pdf>.*

(Continued)

Primary Examiner — Vy N Koenig

(57) **CLAIM**

The ornamental design for a photographic lighting diffuser with tripod stand, as shown and described.

DESCRIPTION

FIG. 1 is a perspective view of a first embodiment of a photographic lighting diffuser with tripod stand showing my new design;

FIG. 2 is another perspective view thereof;

FIG. 3 is a front elevational view thereof;

FIG. 4 is a rear elevational view thereof;

FIG. 5 is a left side elevational view thereof;

FIG. 6 is a right side elevational view thereof;

FIG. 7 is a top plan view thereof;

FIG. 8 is a bottom plan view thereof;

FIG. 9 is an enlarged view of portion 9 shown in FIG. 1;

FIG. 10 is an enlarged view of portion 10 shown in FIG. 2;

FIG. 11 is an enlarged view of portion 11 shown in FIG. 2;

FIG. 12 is an enlarged view of portion 12 shown in FIG. 2;

FIG. 13 is an enlarged view of portion 13 shown in FIG. 8;

FIG. 14 is a perspective view of a second embodiment of the photographic lighting diffuser with tripod stand showing my new design;

FIG. 15 is another perspective view thereof;

FIG. 16 is a front elevational view thereof;

FIG. 17 is a rear elevational view thereof;

FIG. 18 is a left side elevational view thereof;

FIG. 19 is a right side elevational view thereof;

FIG. 20 is a top plan view thereof;

FIG. 21 is a bottom plan view thereof;

FIG. 22 is an enlarged view of portion 22 shown in FIG. 14;

FIG. 23 is an enlarged view of portion 23 shown in FIG. 14;

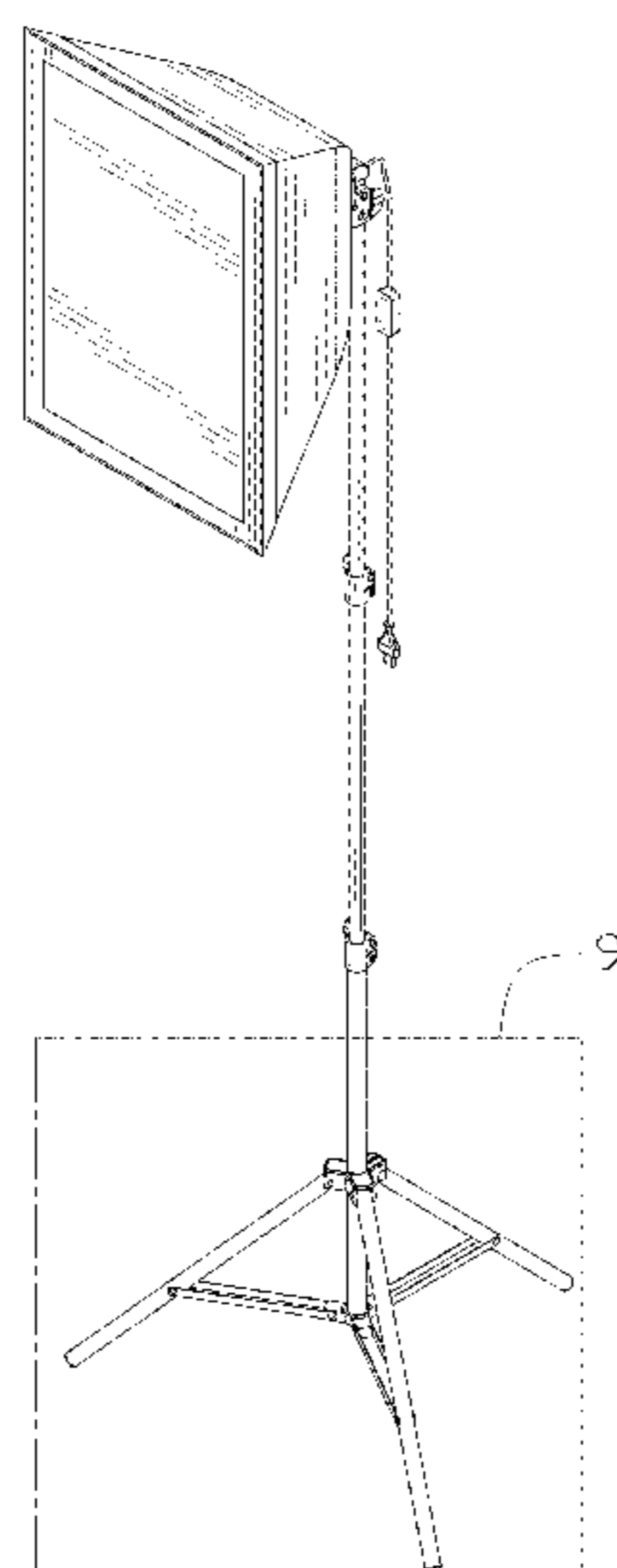
FIG. 24 is an enlarged view of portion 24 shown in FIG. 15;

FIG. 25 is an enlarged view of portion 25 shown in FIG. 15; and,

FIG. 26 is an enlarged view of portion 26 shown in FIG. 21.

The broken lines in the drawings depict portions of the photographic lighting diffuser with tripod stand that form no part of the claimed design.

1 Claim, 26 Drawing Sheets



(58) **Field of Classification Search**

CPC G02B 7/00-002; G03B 17/56; G03B
17/561-566; H04N 5/2253-2254

See application file for complete search history.

2006/0203491	A1*	9/2006	Waltz	G03B 15/02 362/269
2010/0124068	A1*	5/2010	Karle	F21V 17/06 362/433
2019/0182418	A1*	6/2019	Lai	H04N 5/222

(56)

References Cited

U.S. PATENT DOCUMENTS

6,808,295	B2*	10/2004	Waltz	F21V 17/02 362/353
D623,331	S *	9/2010	Rotwitt	D26/63
10,216,066	B2*	2/2019	Pilby	G03B 15/06
D869,543	S *	12/2019	Meraz	D16/237
D880,048	S *	3/2020	Zhu	D26/106
D881,980	S	4/2020	Zhu	
D895,716	S *	9/2020	Chen	D16/244
D907,106	S *	1/2021	Li	D16/244
D911,428	S *	2/2021	Xiao	D16/244
D915,495	S *	4/2021	Zeng	D16/244
D916,172	S *	4/2021	Zeng	D16/244
2006/0007666	A1*	1/2006	Cook	G03B 15/02 362/16

OTHER PUBLICATIONS

Godox 27 x 39 inch Strip Box Rectangular Softbox . . . [online] First available Oct. 11, 2018. Retrieved from URL: https://www.amazon.com/Godox-Rectangular-Honeycomb-Speedring-Compatible/dp/B07J9PR2ZM/ref=sr_1_4?dchild=1&keywords=rectangular+softbox+with+stand&qid=1631212026&sr=8-4.*

Fovitec 2-Light 2000W Fluorescent Studio Lighting Kit . . . [online] Retrieved Sep. 9, 2021 from URL: https://www.amazon.com/dp/B00KC5Z9P4/ref=twister_B07BLNP4SB?_encoding=UTF8&psc=1.*

LTRINGYS Softbox Lighting Kit 20"x28" Photography Continuous Lighting with 78" Adjustable Stand . . . [online] First available on Amazon Sep. 6, 2019. Retrieved from URL: <https://www.amazon.com/LTRINGYS-Photography-Continuous-Equipment-Adjustable/dp/B07XHK7SHW?th=1>.*

* cited by examiner

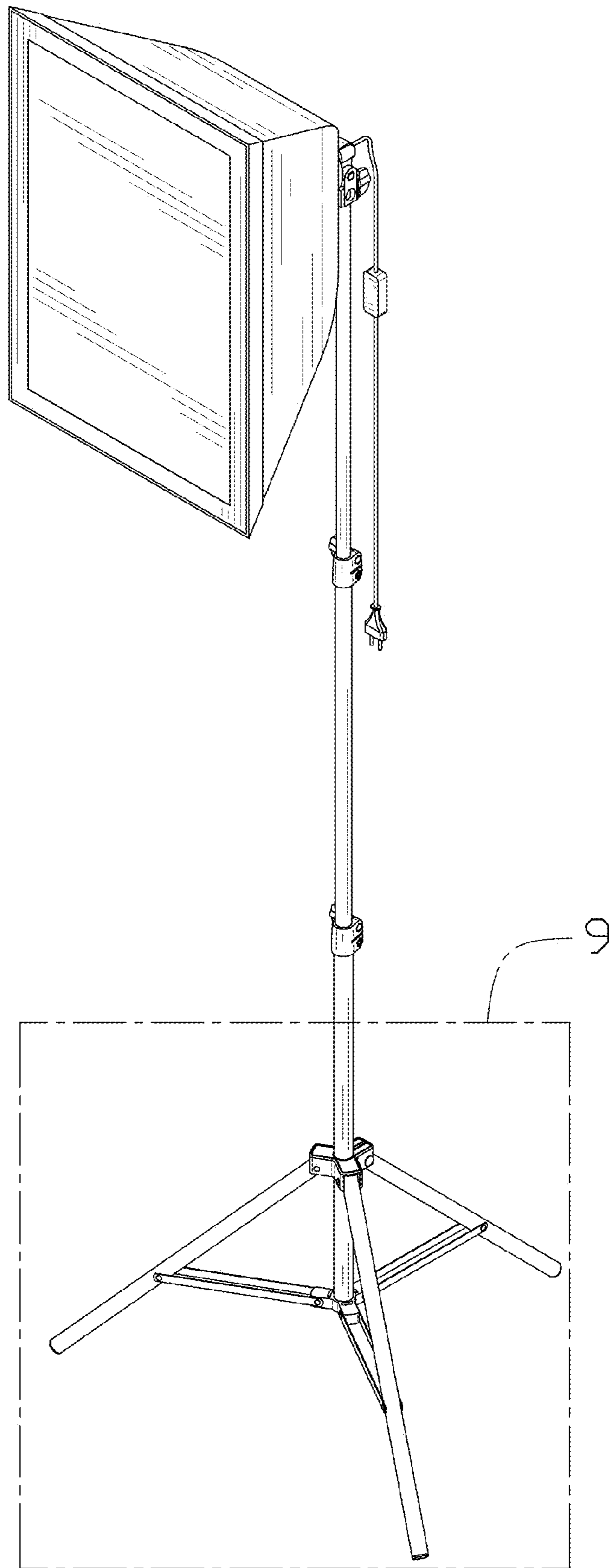


FIG. 1

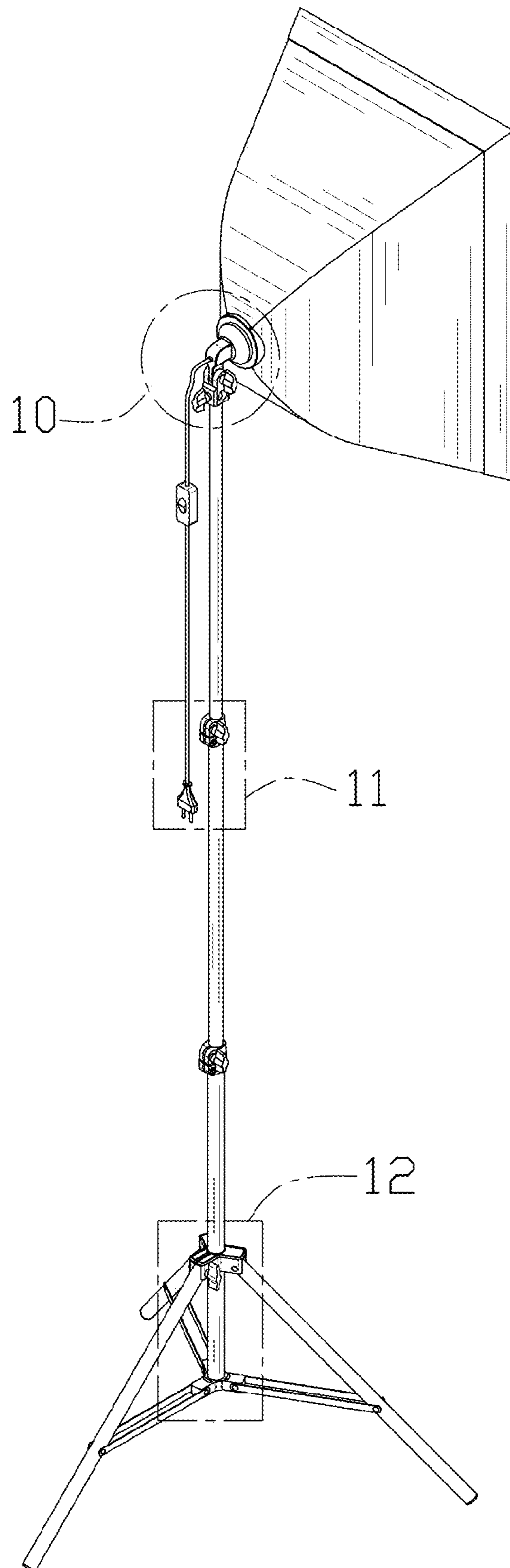


FIG. 2

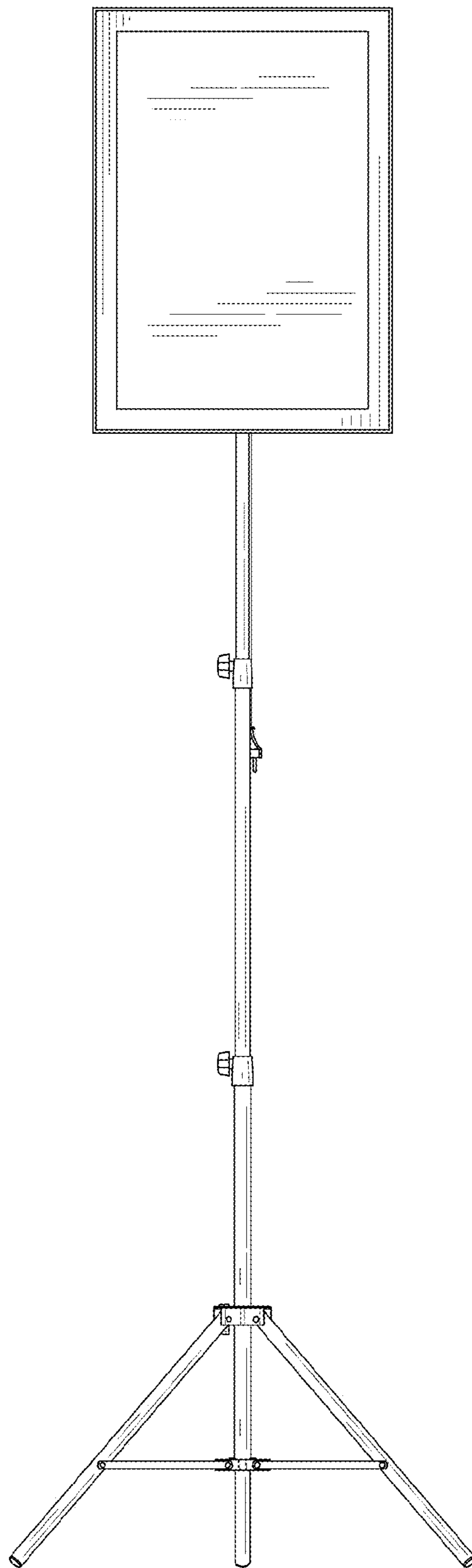


FIG. 3

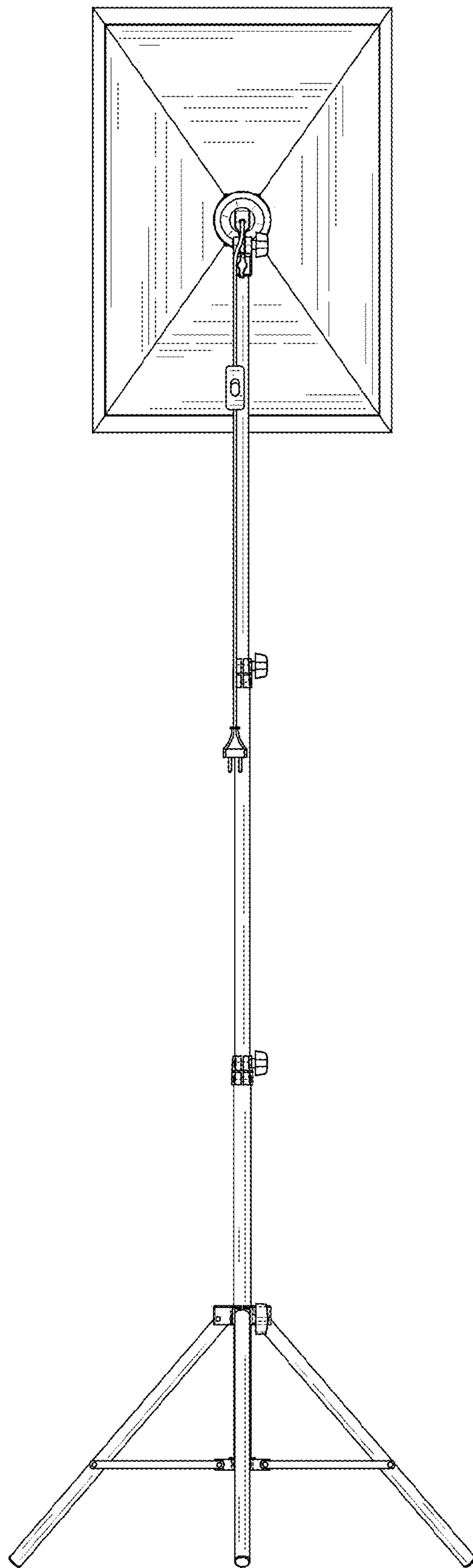


FIG. 4

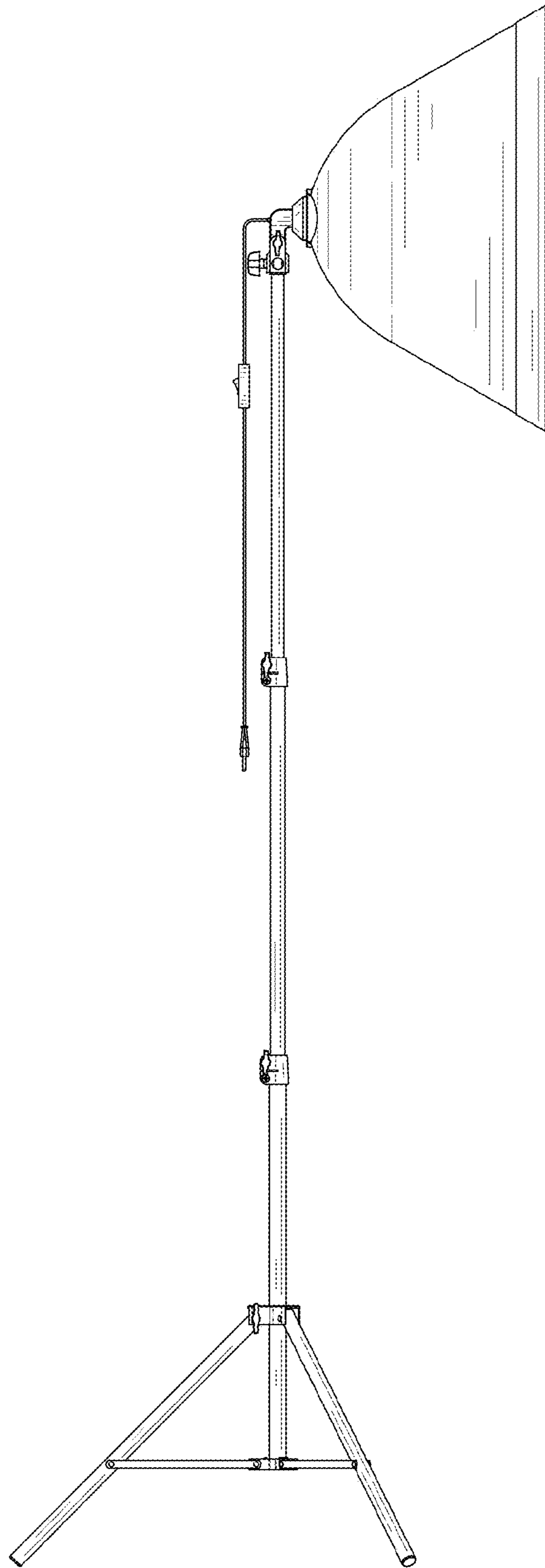


FIG. 5

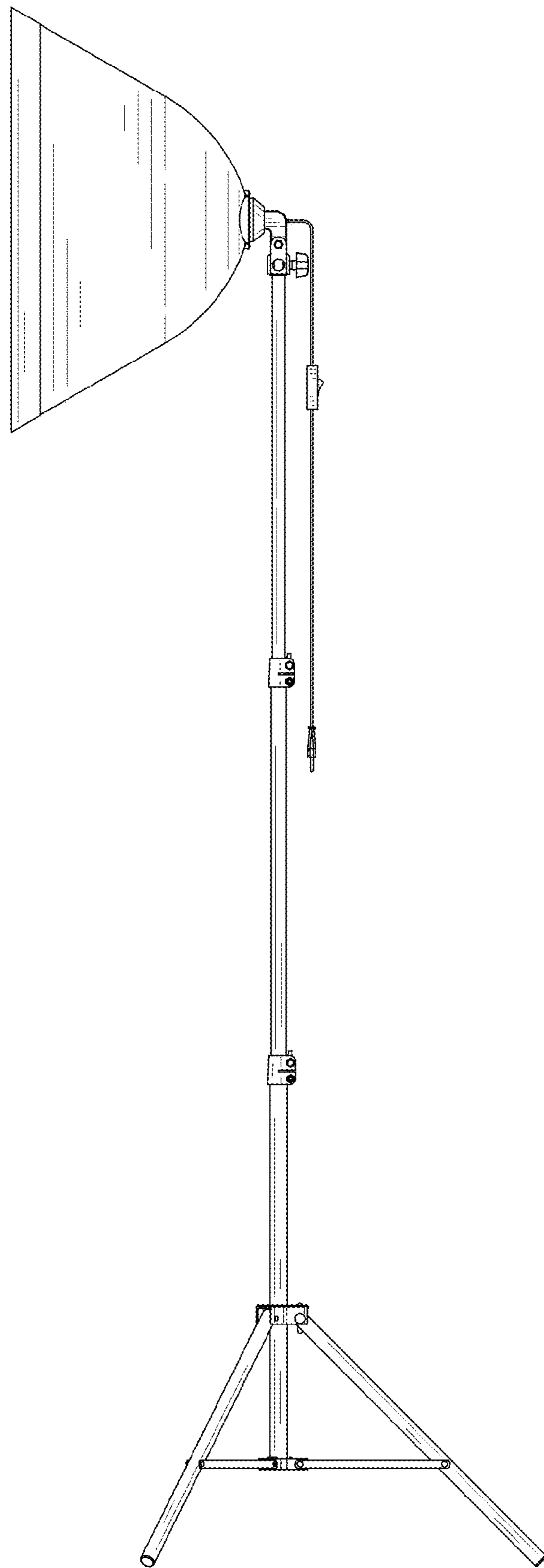


FIG. 6

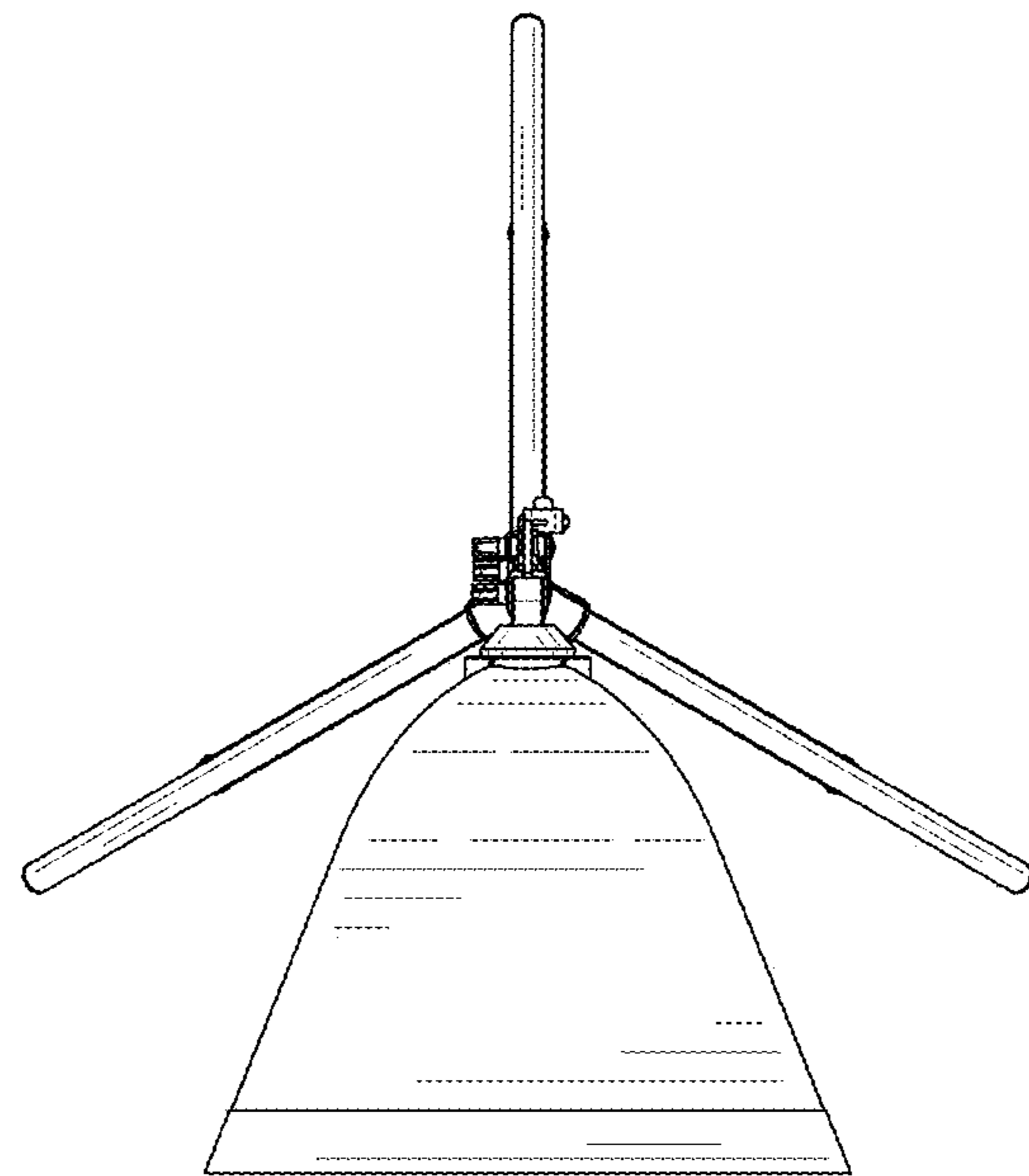


FIG. 7

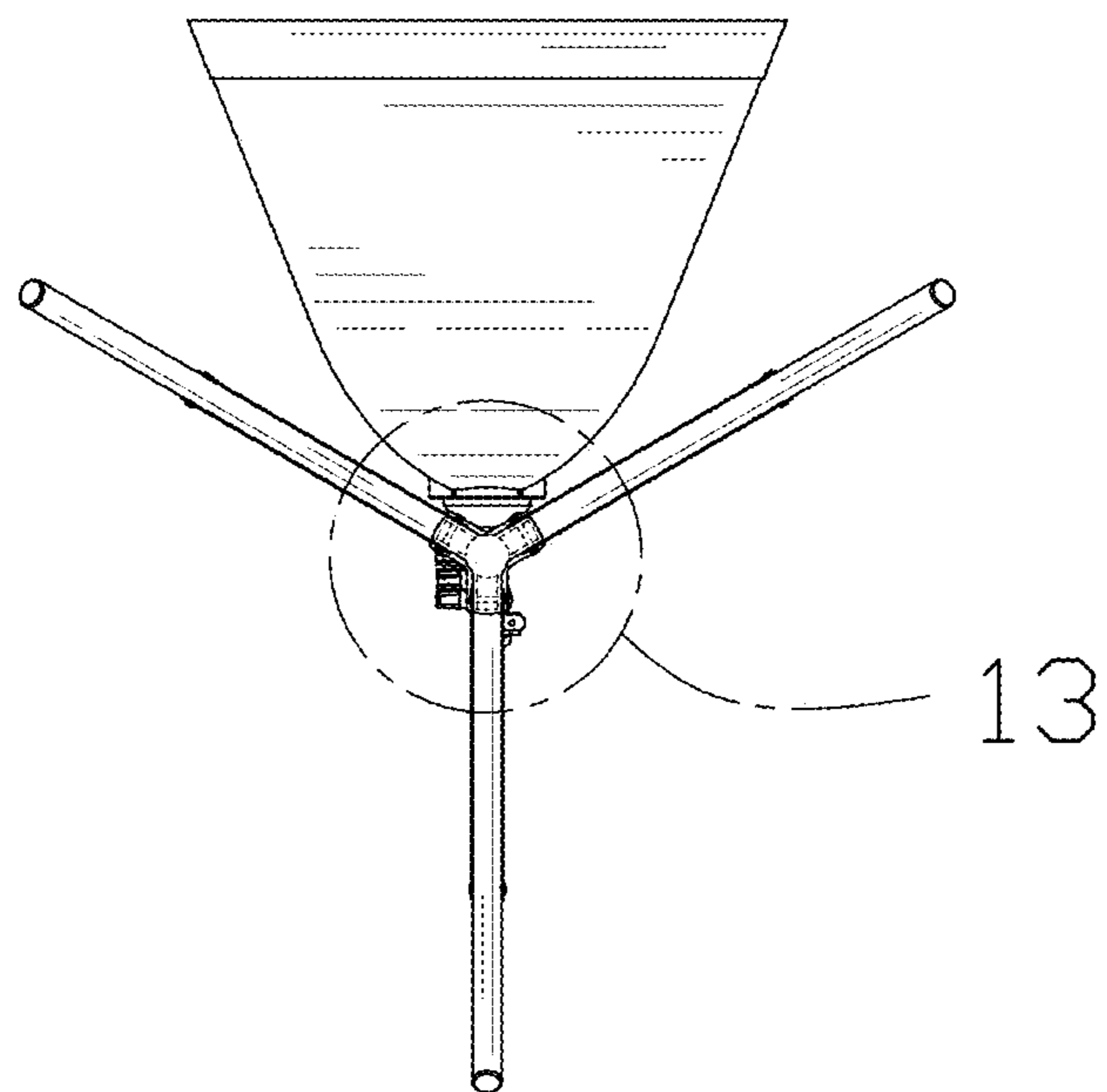


FIG. 8

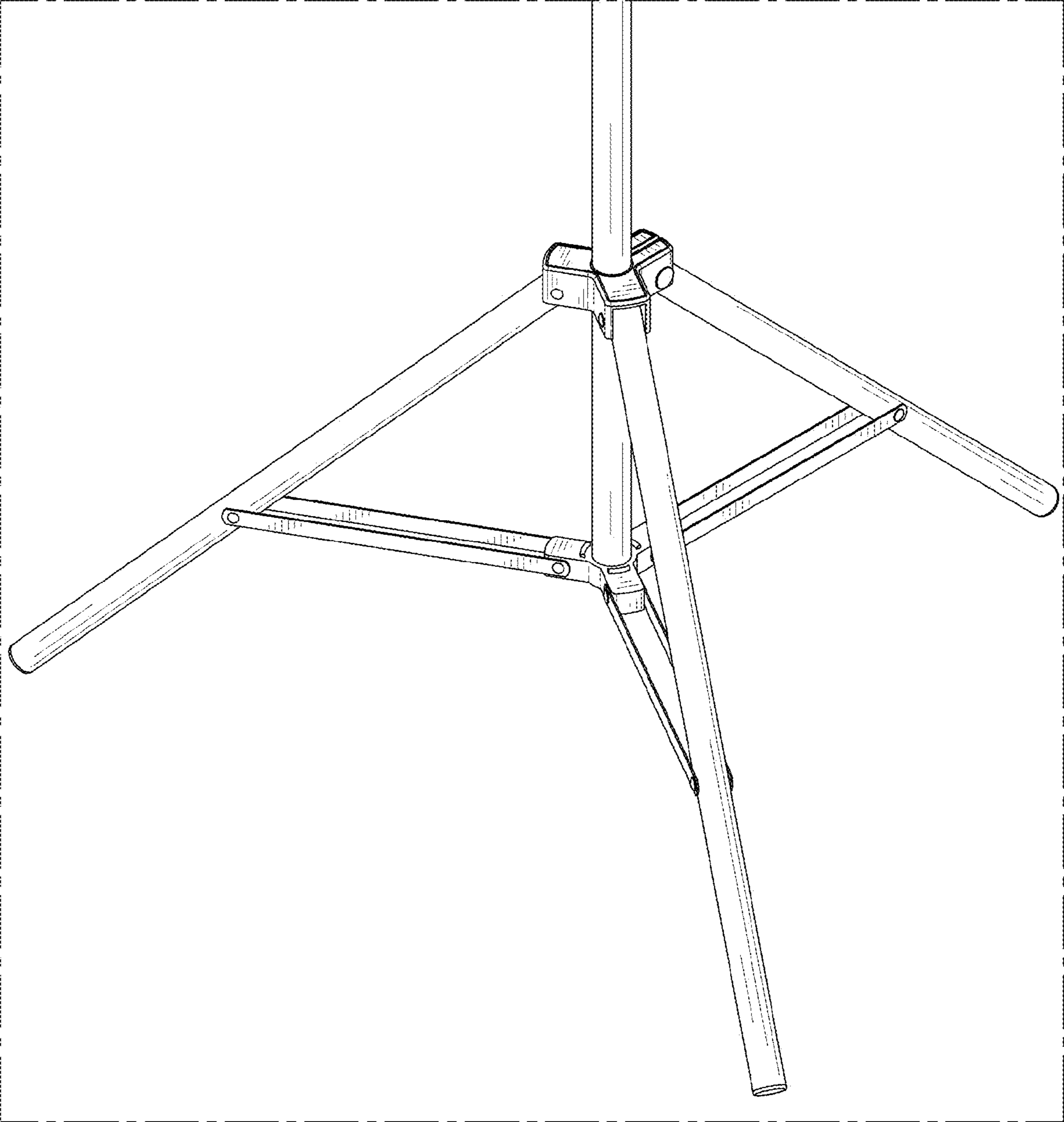


FIG. 9

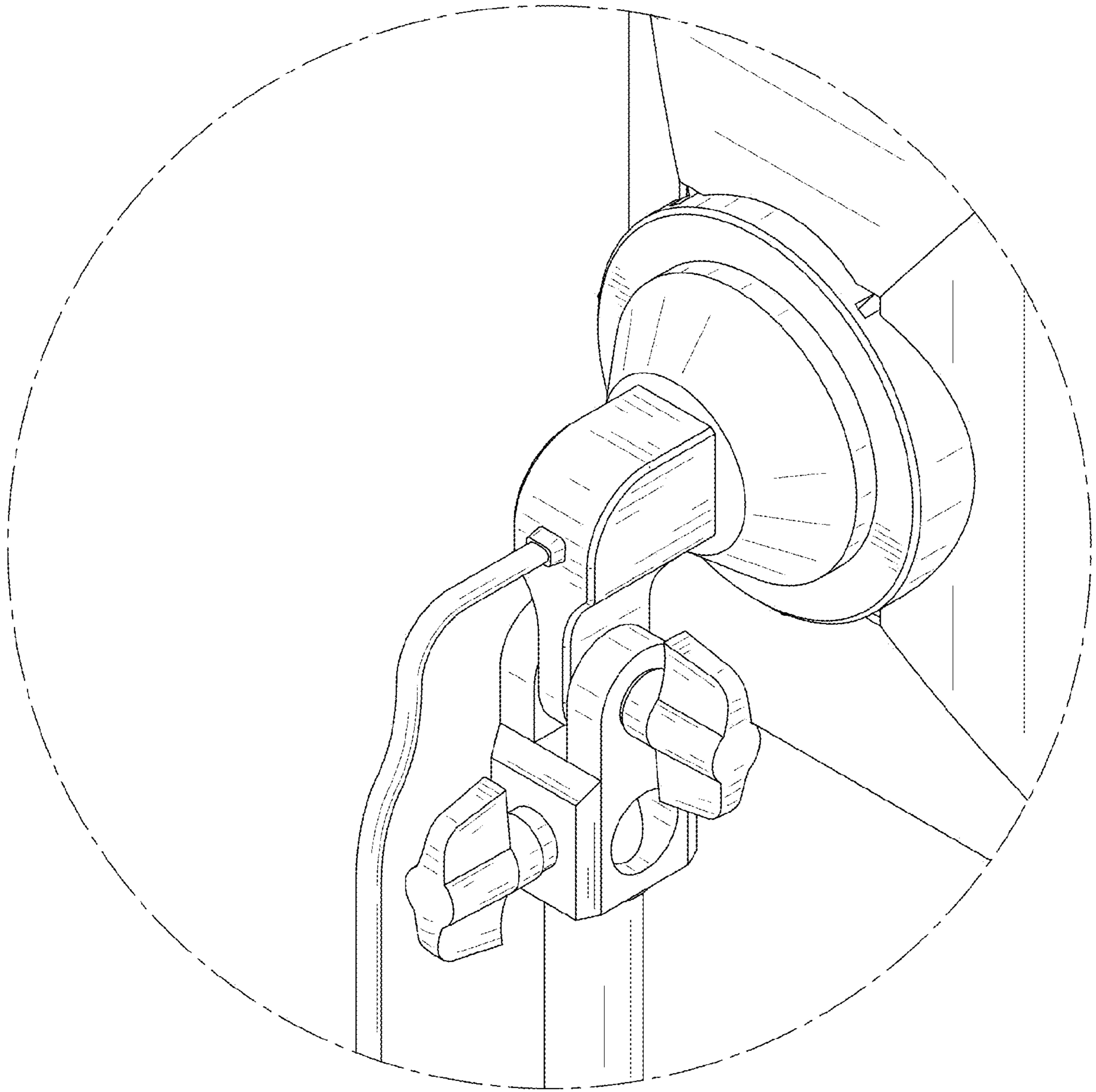


FIG. 10

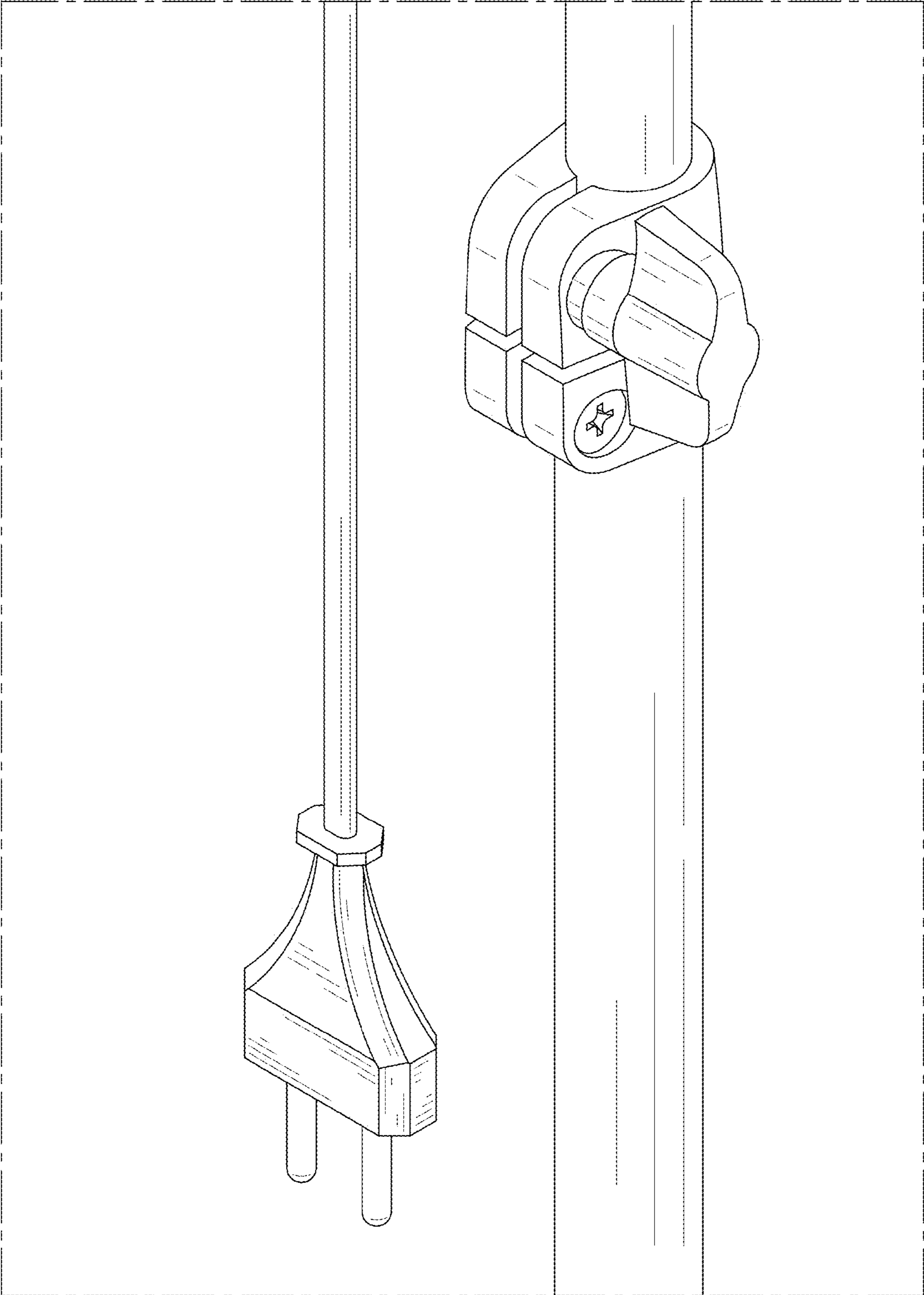


FIG. 11

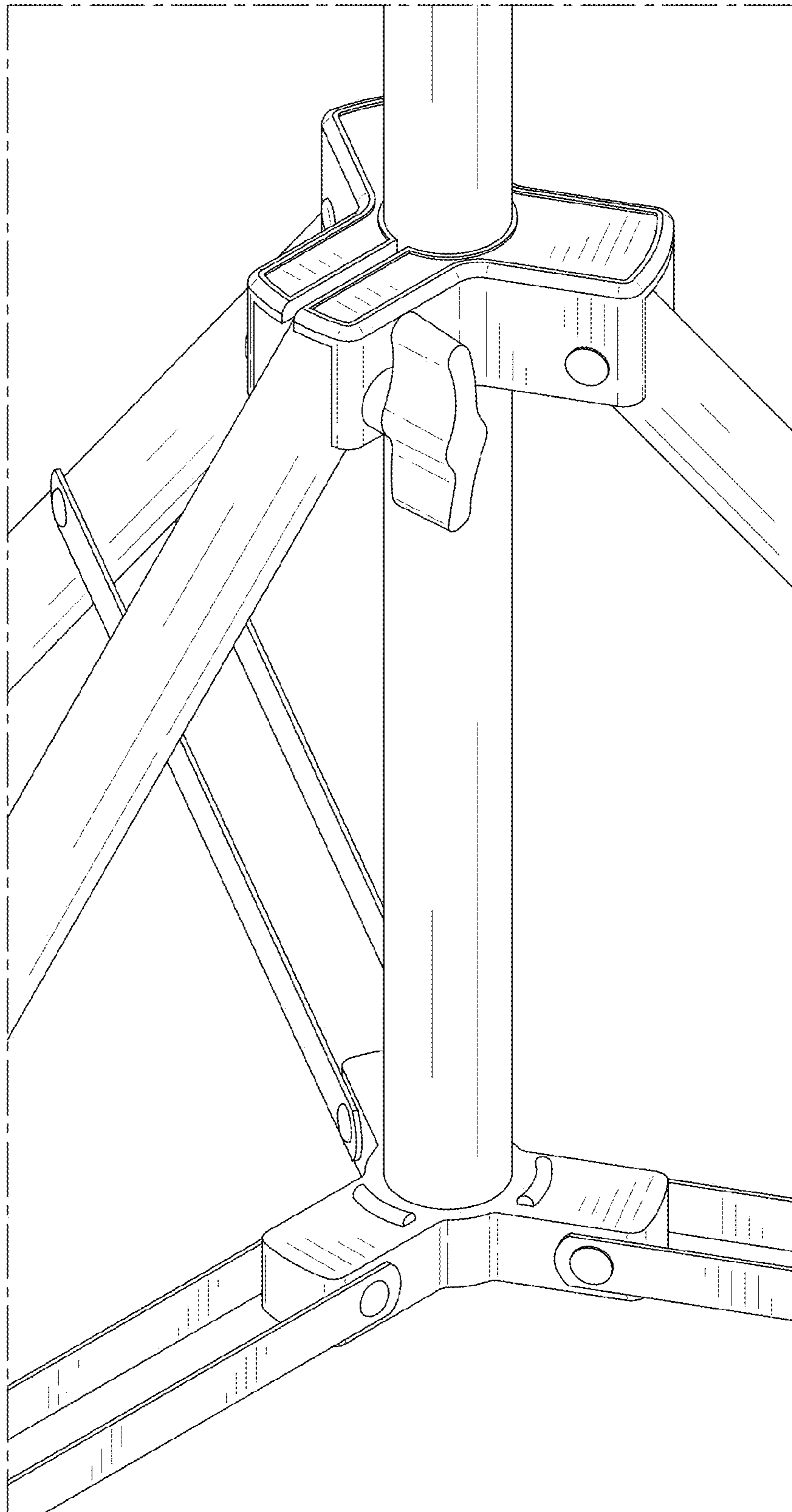


FIG. 12

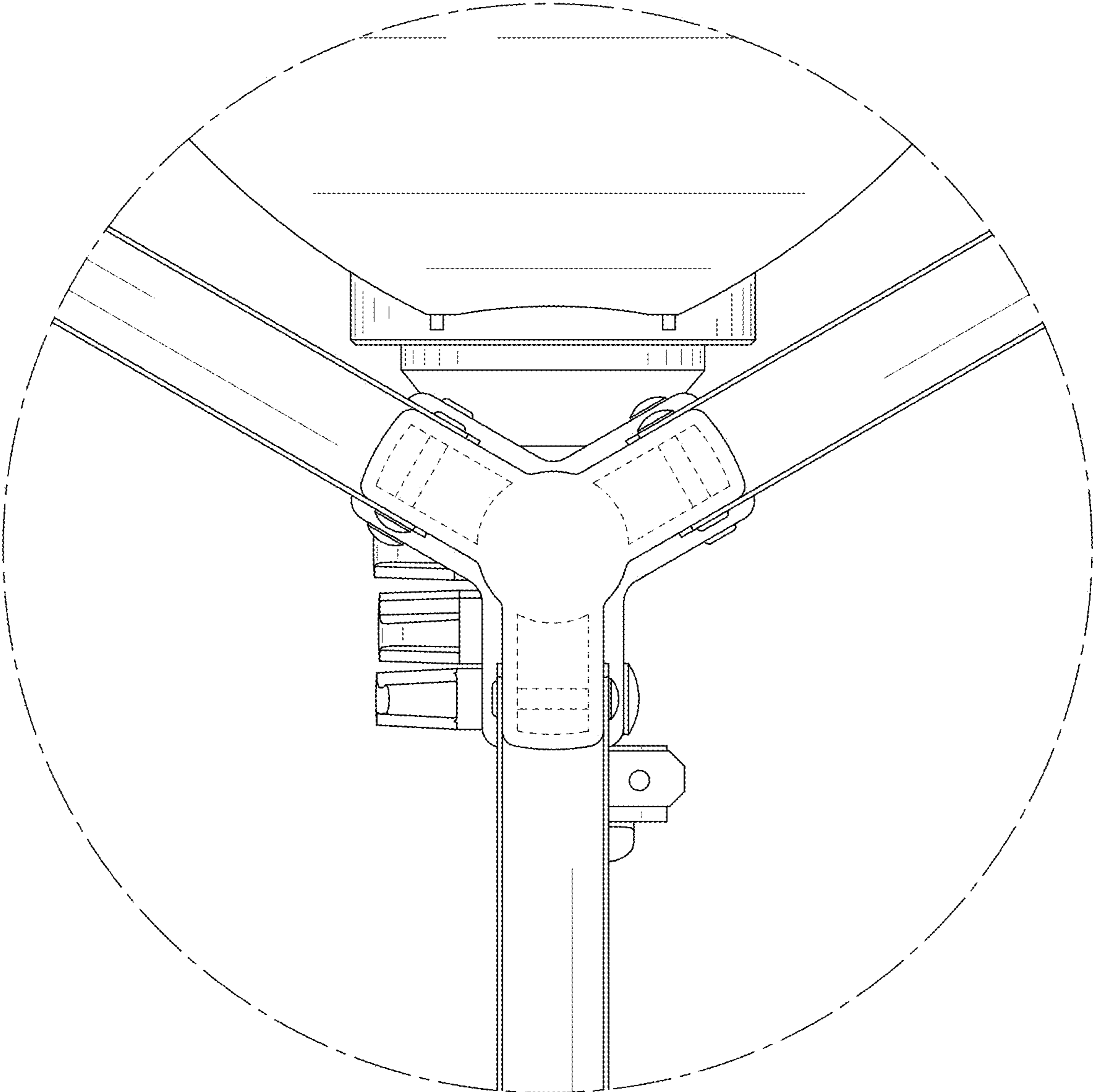


FIG. 13

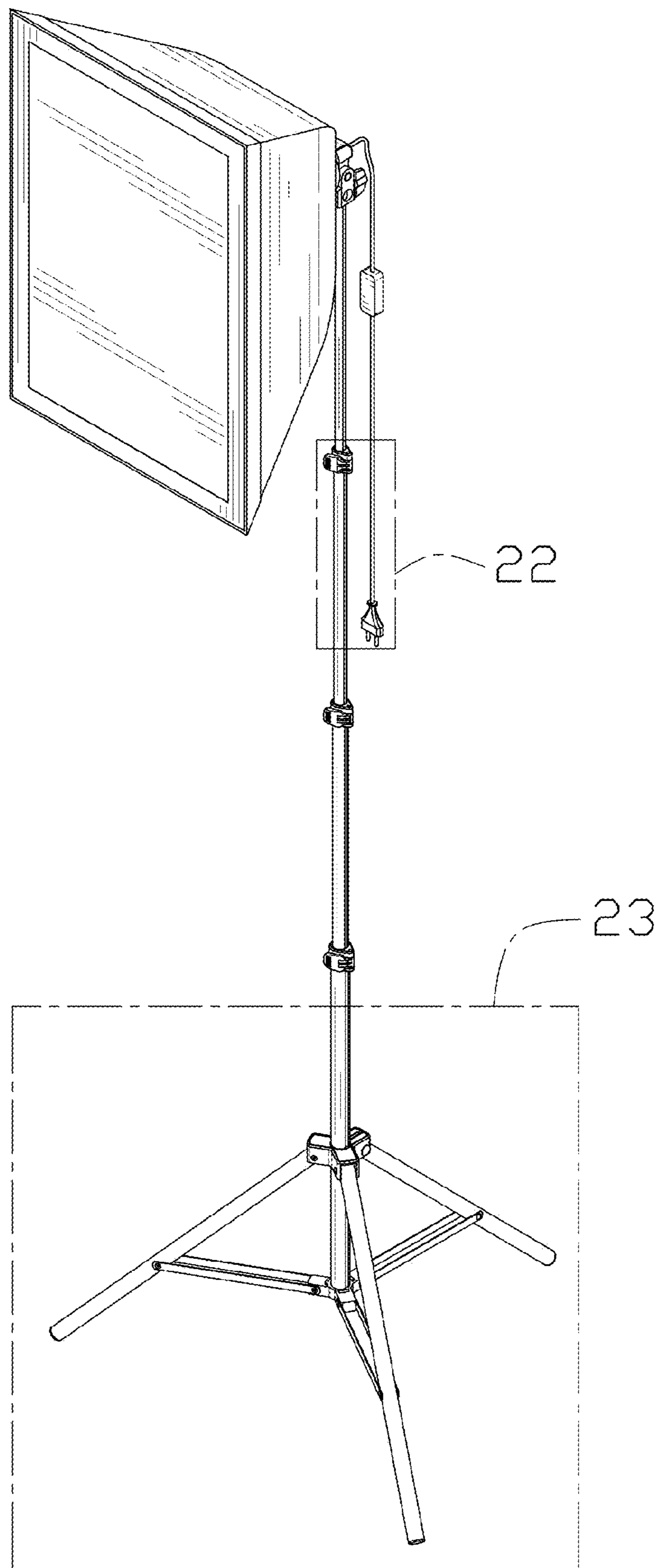


FIG. 14

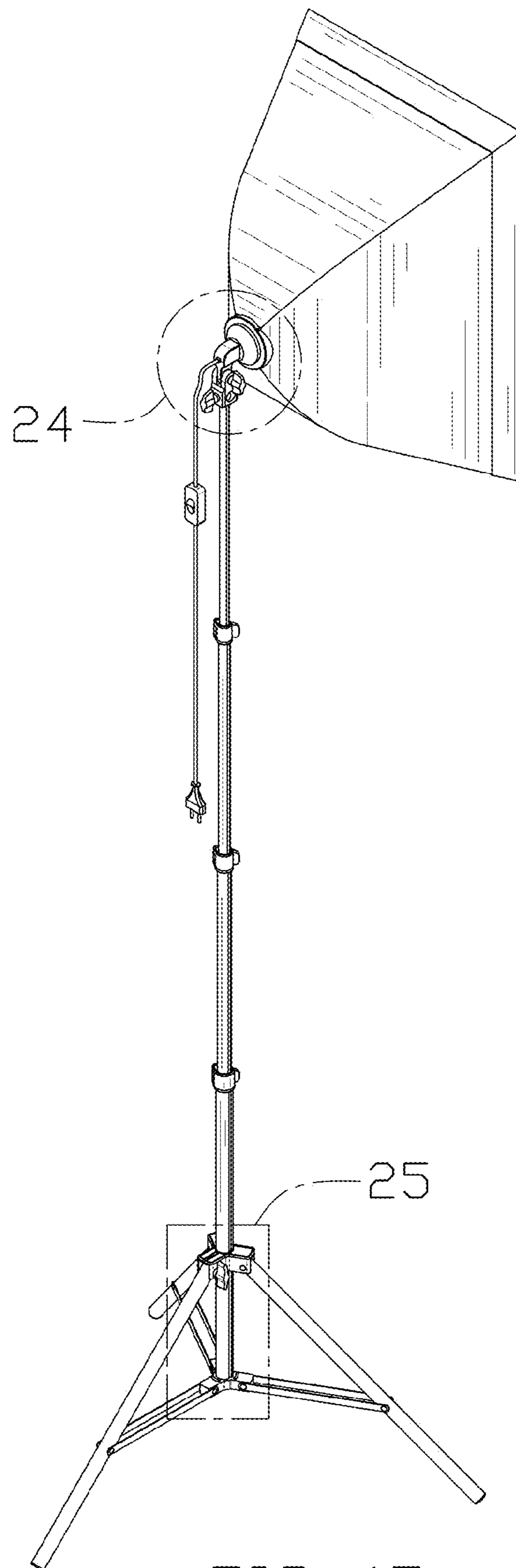


FIG. 15

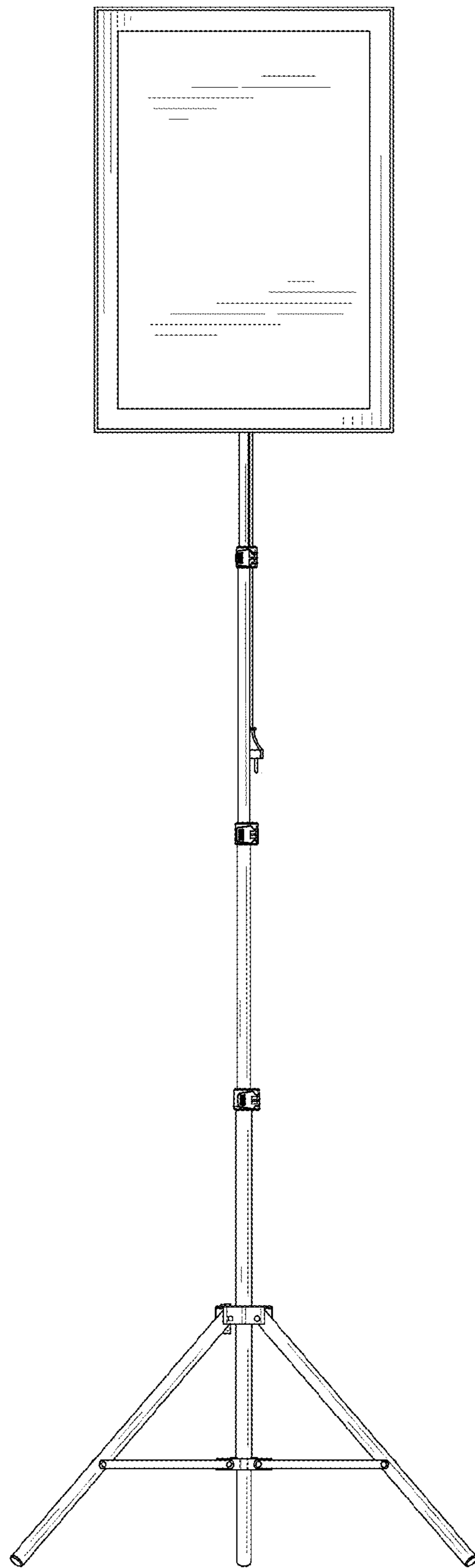


FIG. 16

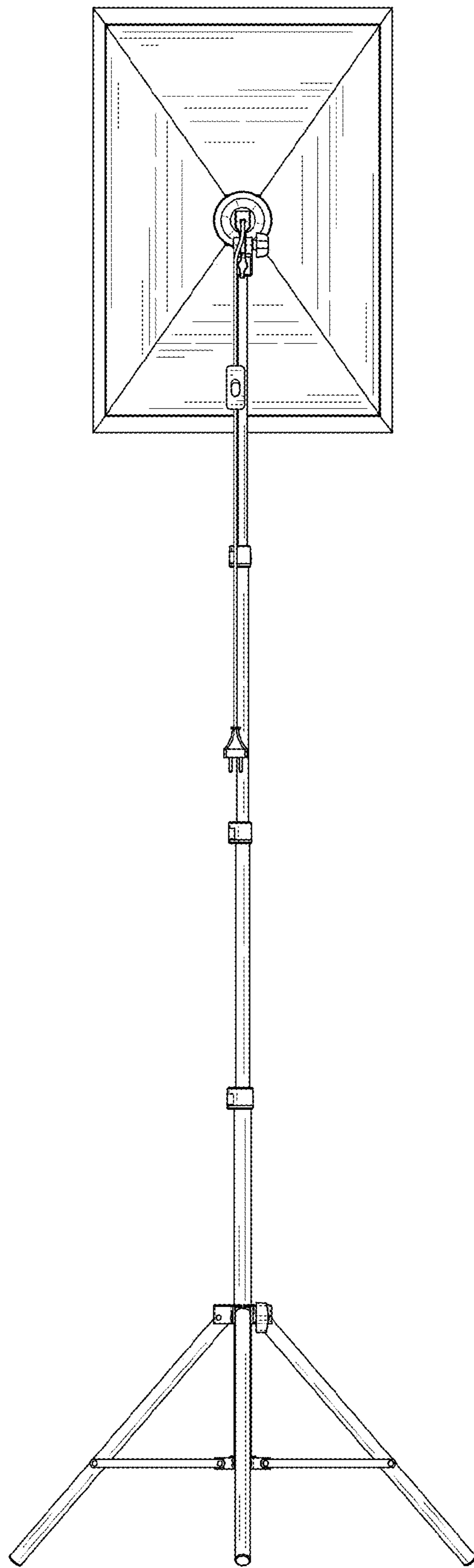


FIG. 17

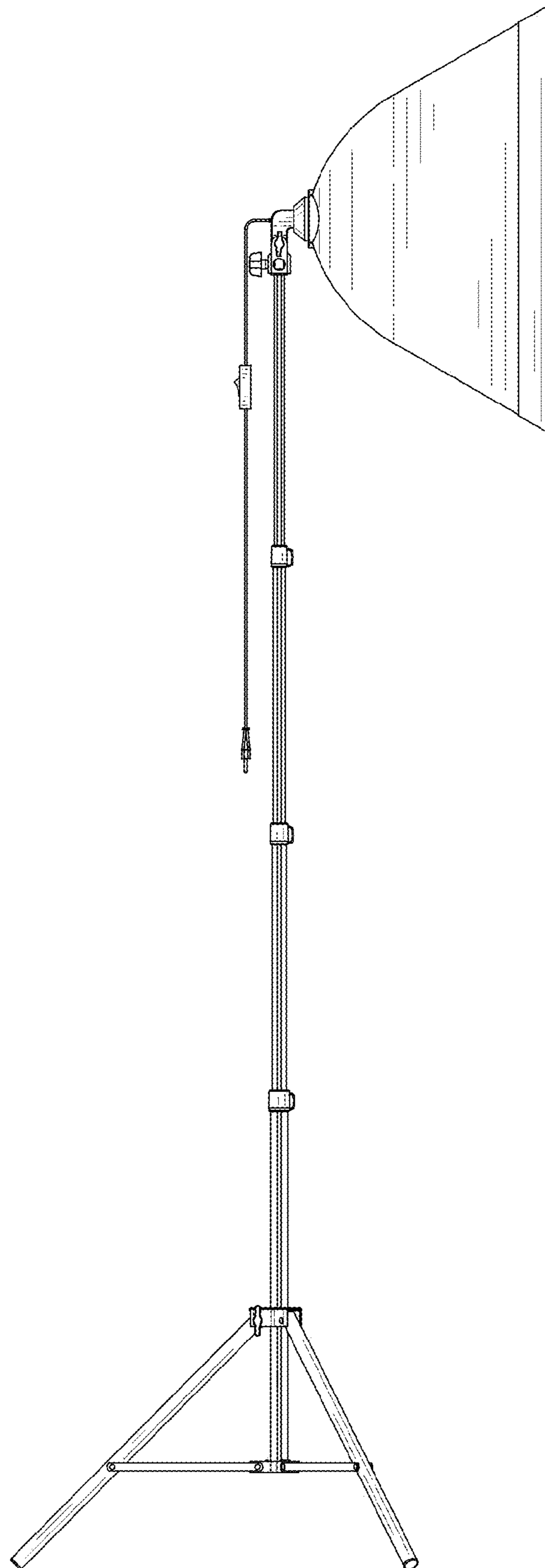


FIG. 18

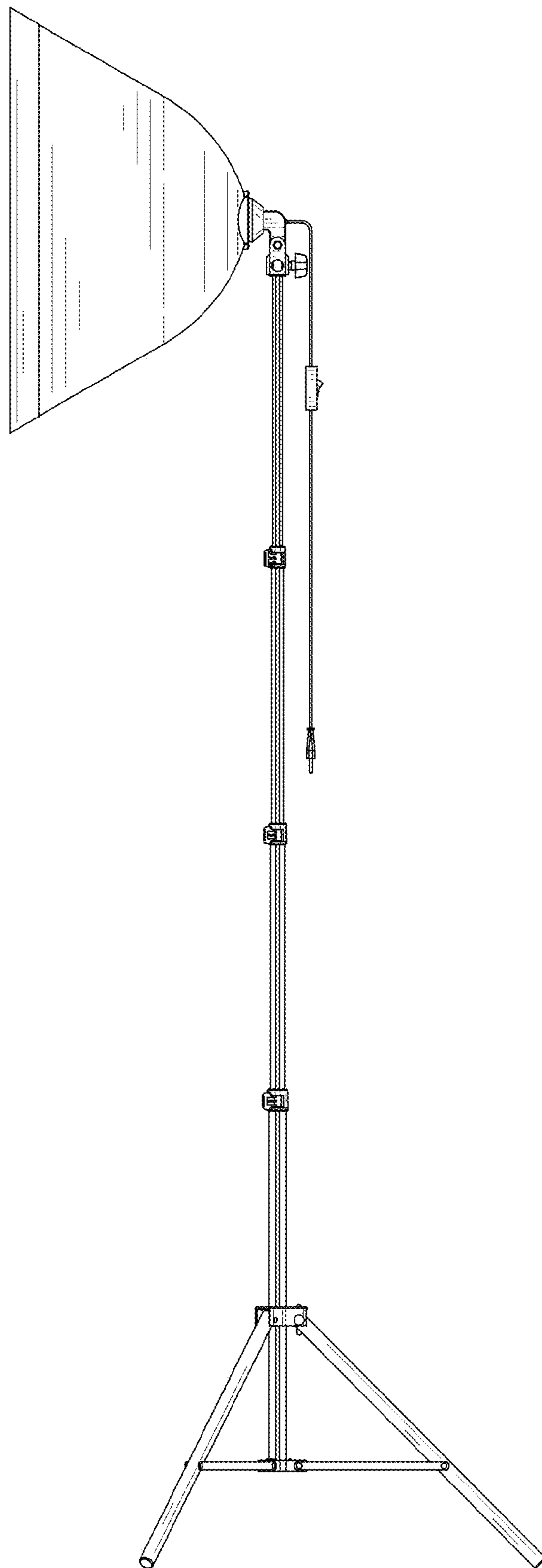


FIG. 19

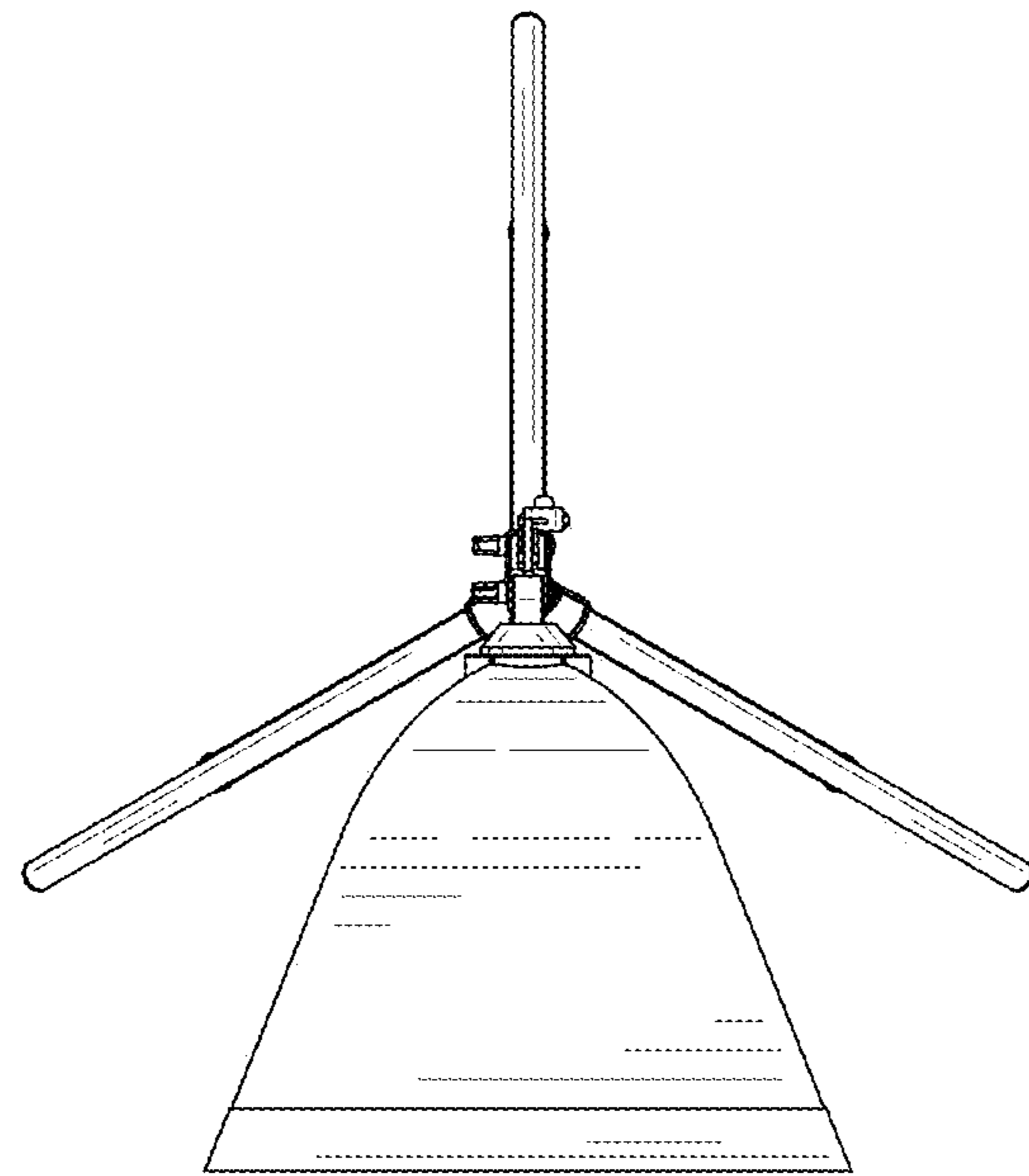


FIG. 20

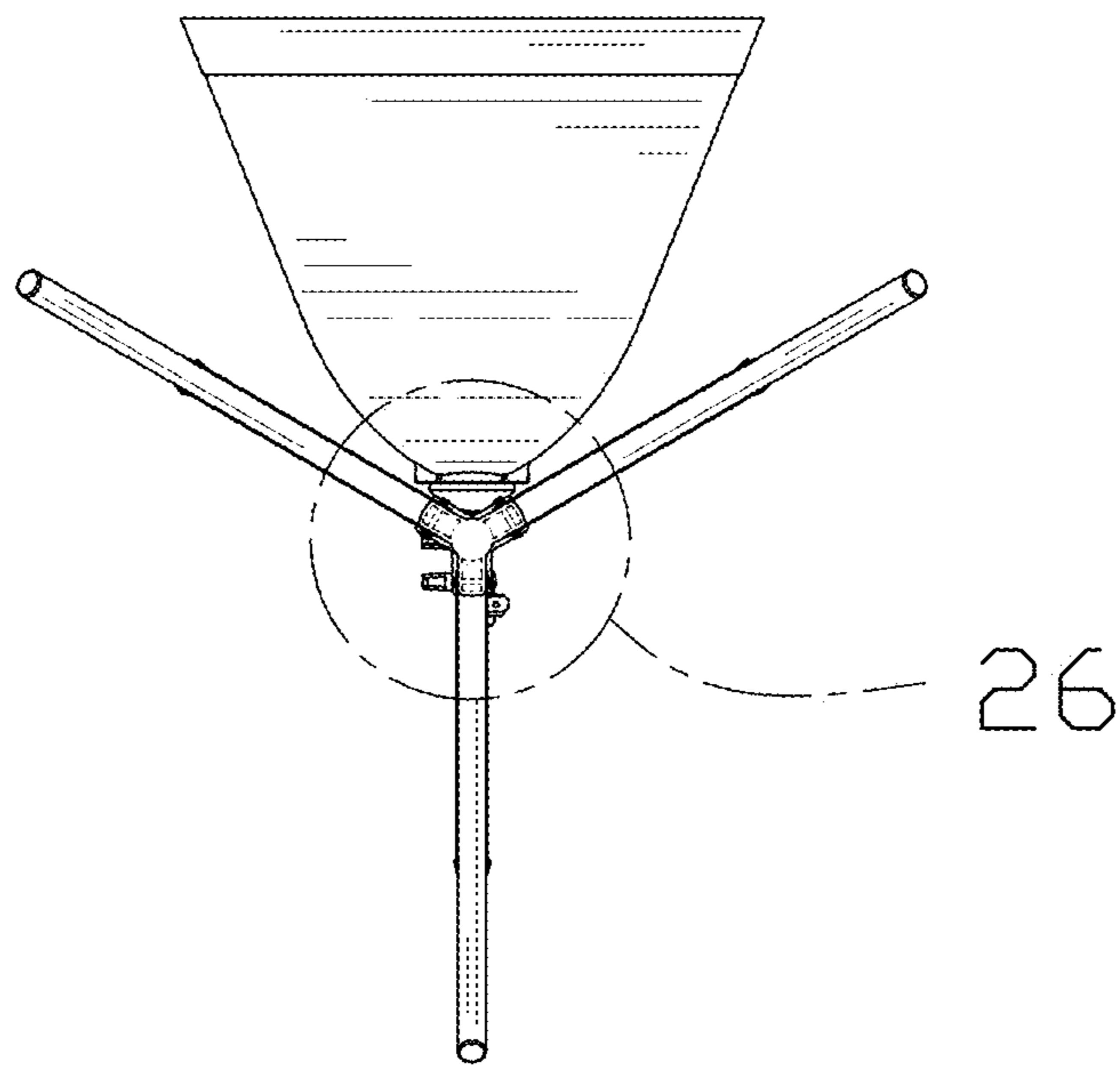


FIG. 21

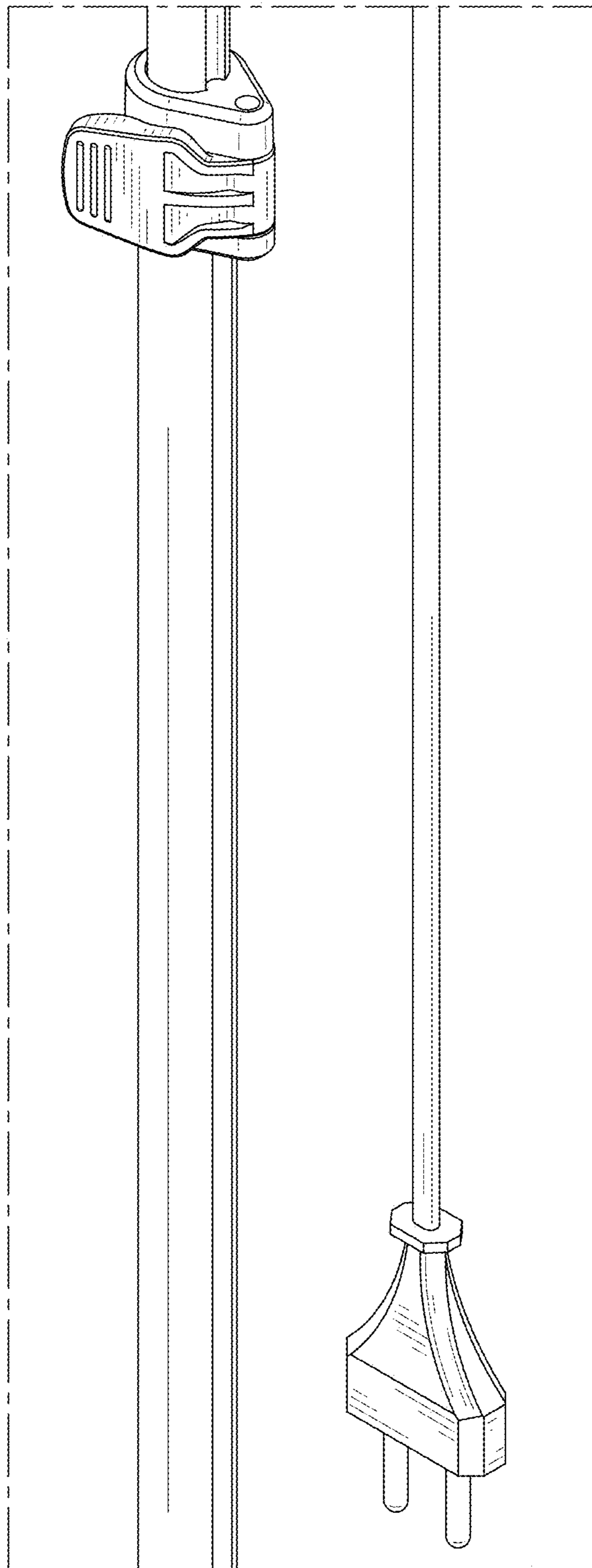


FIG. 22

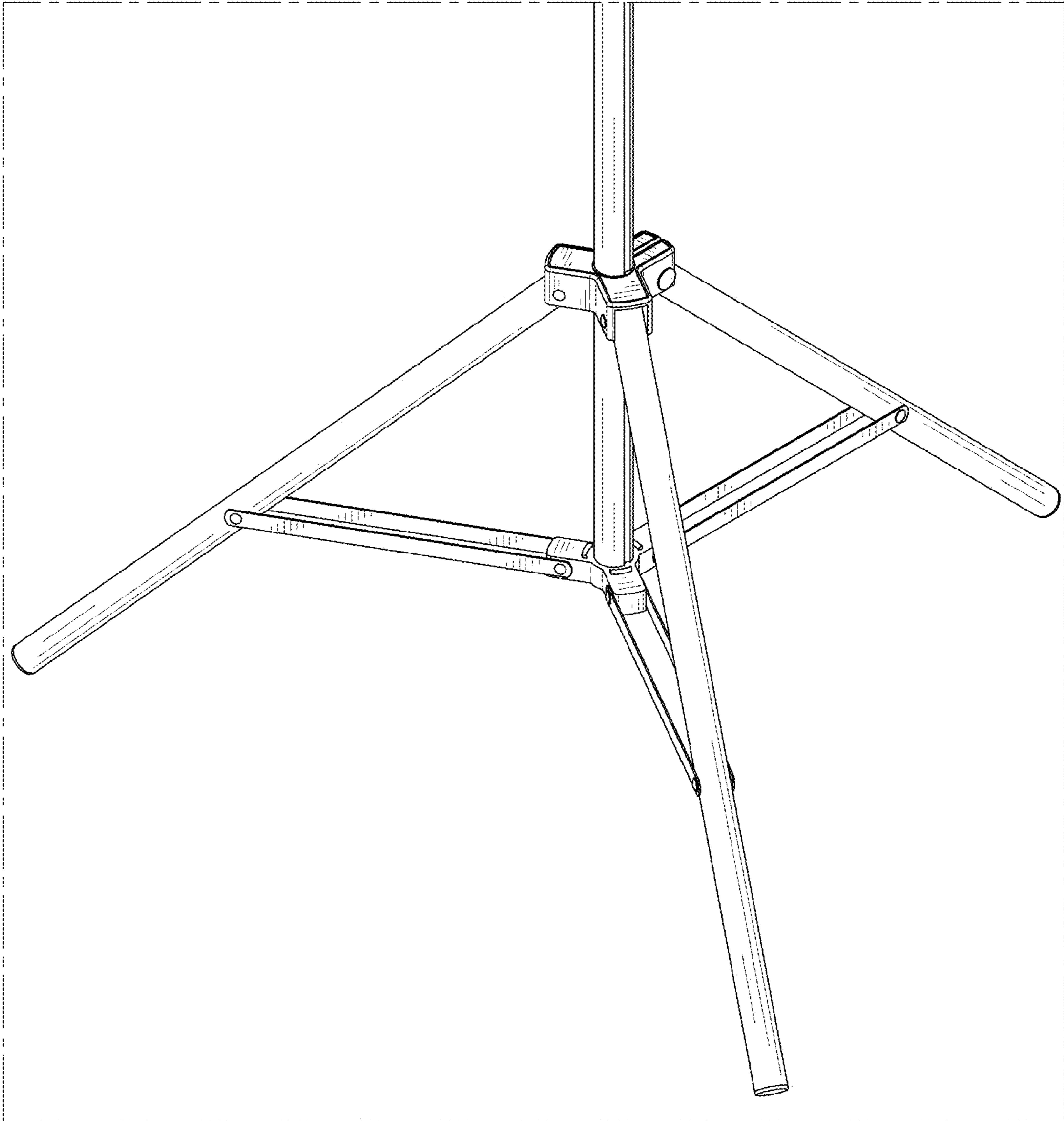


FIG. 23

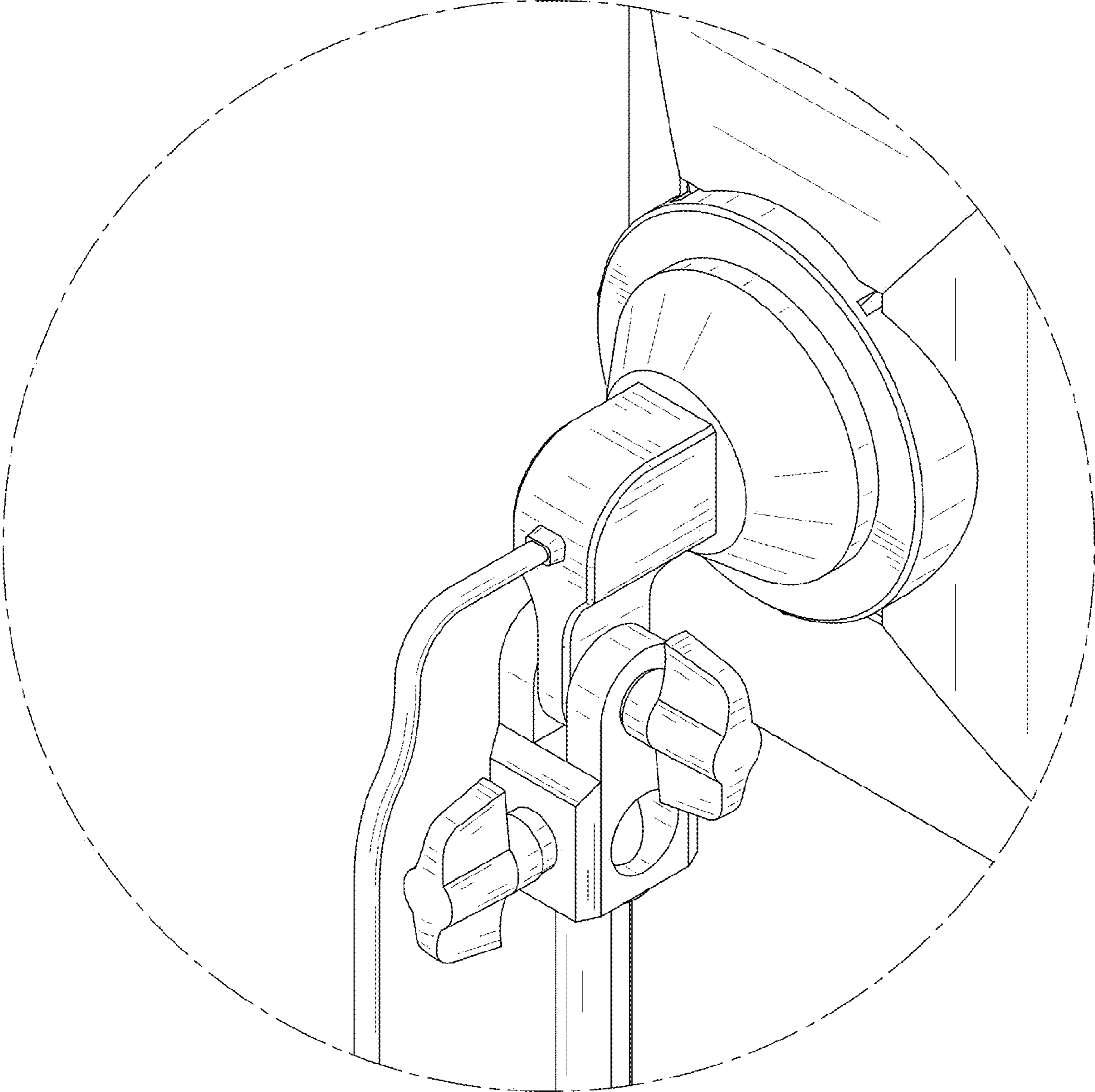


FIG. 24

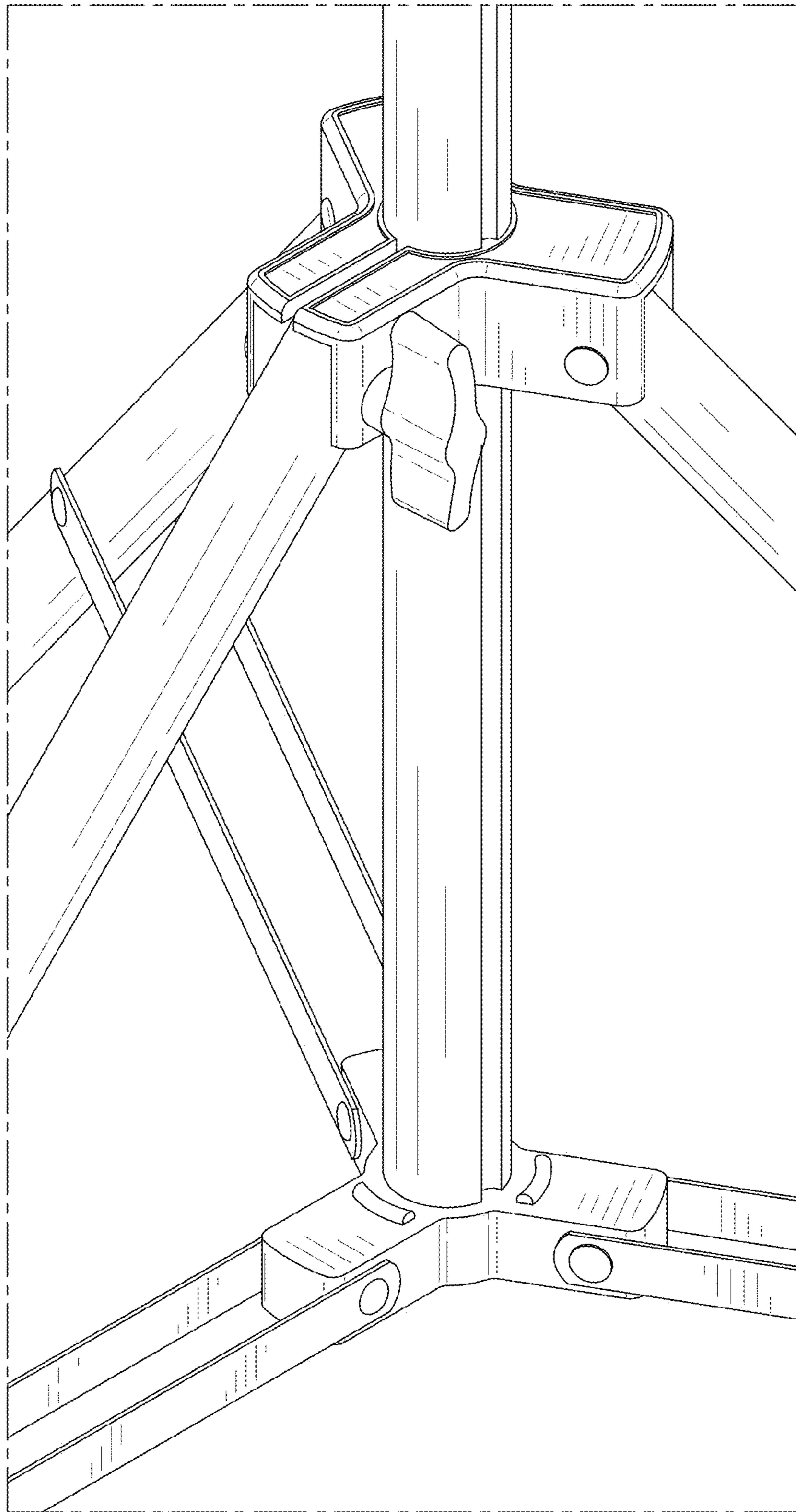


FIG. 25

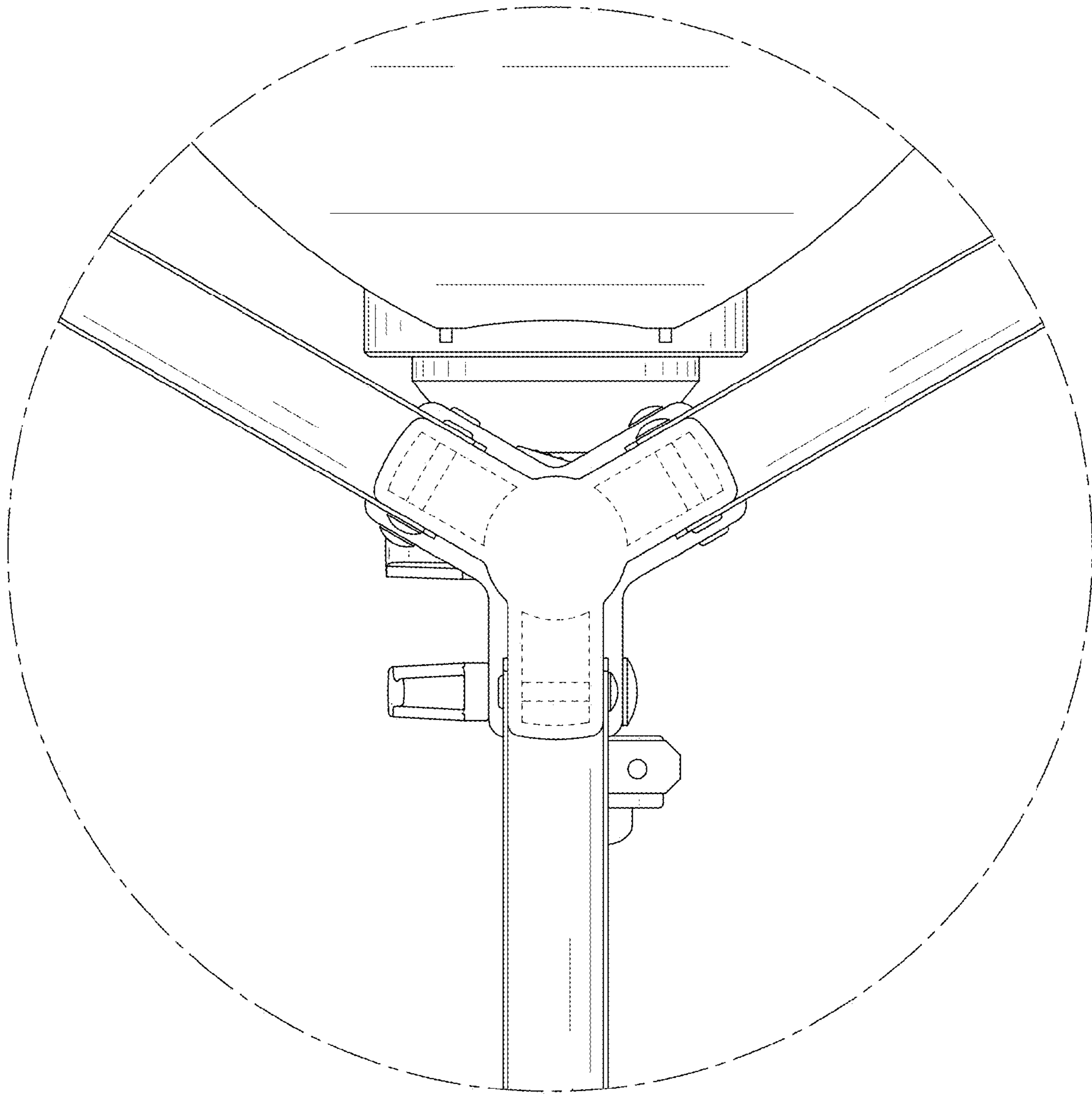


FIG. 26