



US00D946643S

(12) **United States Design Patent**
Wei

(10) **Patent No.:** **US D946,643 S**

(45) **Date of Patent:** **** Mar. 22, 2022**

(54) **PROJECTOR**

(71) Applicant: **SHENZHEN LIGHT VALVE TECHNOLOGY CO., LTD**, Shenzhen (CN)

(72) Inventor: **Jiaoxian Wei**, Hengyang (CN)

(73) Assignee: **SHENZHEN LIGHT VALVE TECHNOLOGY CO., LTD**, Shenzhen (CN)

(**) Term: **15 Years**

(21) Appl. No.: **29/777,544**

(22) Filed: **Apr. 7, 2021**

(51) **LOC (13) Cl.** **16-02**

(52) **U.S. Cl.**
USPC **D16/230**

(58) **Field of Classification Search**
USPC D16/221, 225, 230–231, 234; D21/514
CPC G03B 21/145; G03B 21/14; G03B 21/16;
G03B 21/00; G03B 21/001; G03B 21/003
See application file for complete search history.

(56) **References Cited**

U.S. PATENT DOCUMENTS

D520,551 S 5/2006 Salvatori et al.
D527,293 S 8/2006 Ishii
D555,696 S * 11/2007 Naruki D16/230

D600,735 S * 9/2009 Chigira D16/230
D633,125 S * 2/2011 Han D16/230
D637,642 S * 5/2011 Lim D16/230
D669,521 S * 10/2012 Lin D16/230
D671,160 S * 11/2012 Lin D16/230
D835,174 S * 12/2018 Lee G03B 21/00
D16/230

* cited by examiner

Primary Examiner — Wan Laymon

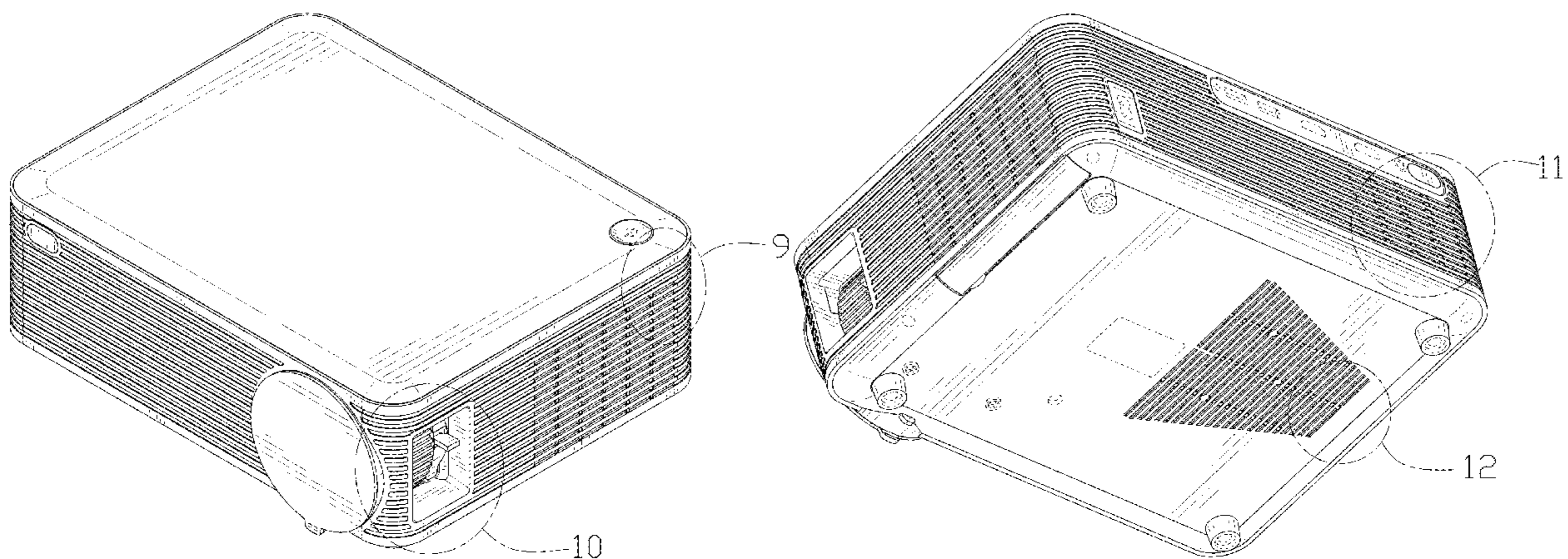
(57) **CLAIM**

The ornamental design for a projector, as shown and described.

DESCRIPTION

FIG. 1 is a perspective view of a projector showing my new design;
FIG. 2 is another perspective view thereof;
FIG. 3 is a front elevational view thereof;
FIG. 4 is a rear elevational view thereof;
FIG. 5 is a left side elevational view thereof;
FIG. 6 is a right side elevational view thereof;
FIG. 7 is a top plan view thereof;
FIG. 8 is a bottom plan view thereof;
FIG. 9 is an enlarged view of portion 9 shown in FIG. 1;
FIG. 10 is an enlarged view of portion 10 shown in FIG. 1;
FIG. 11 is an enlarged view of portion 11 shown in FIG. 2;
and,
FIG. 12 is an enlarged view of portion 12 shown in FIG. 2.
The broken lines in the drawings depict portions of the projector that form no part of the claimed design.

1 Claim, 12 Drawing Sheets



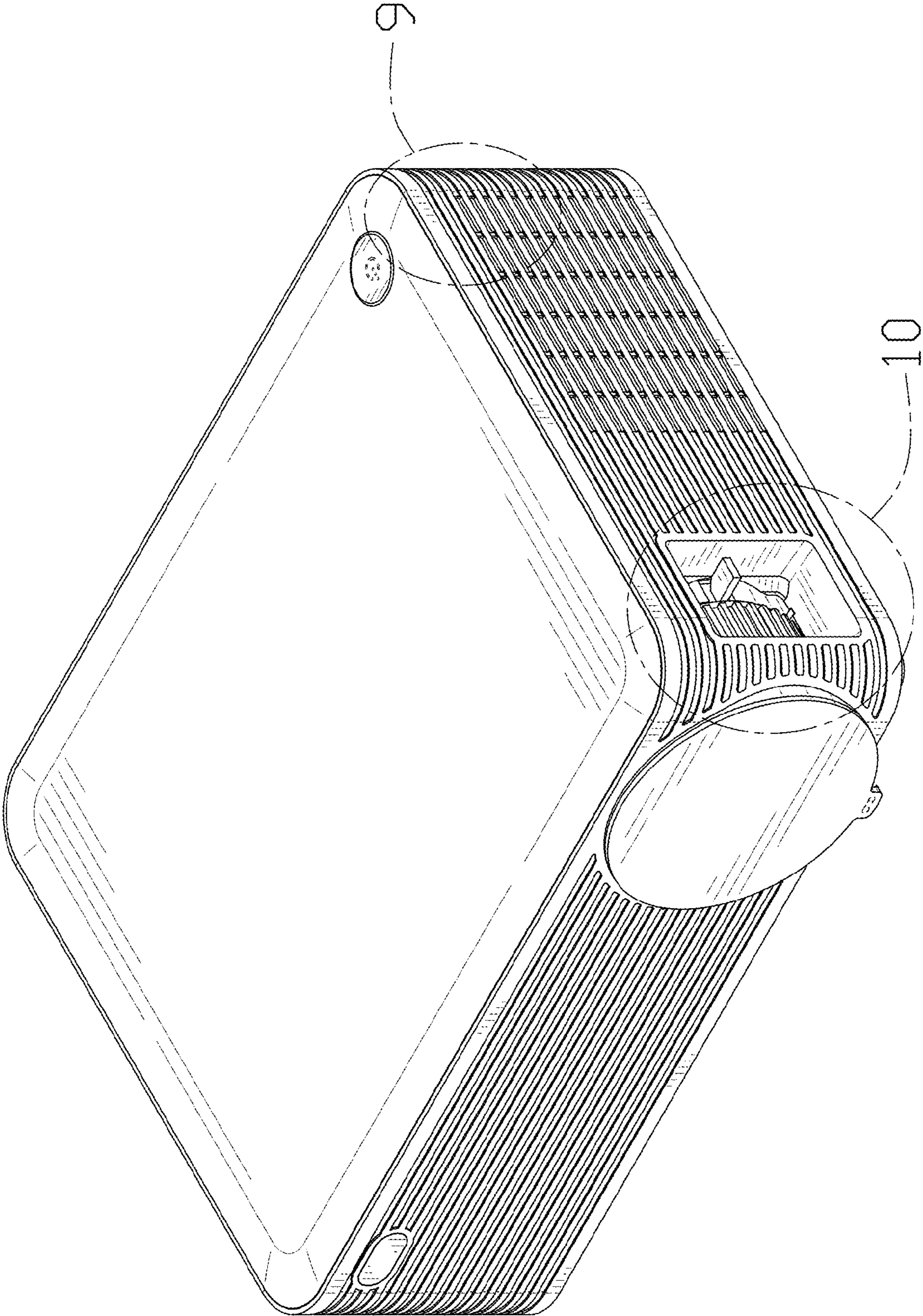


FIG. 1

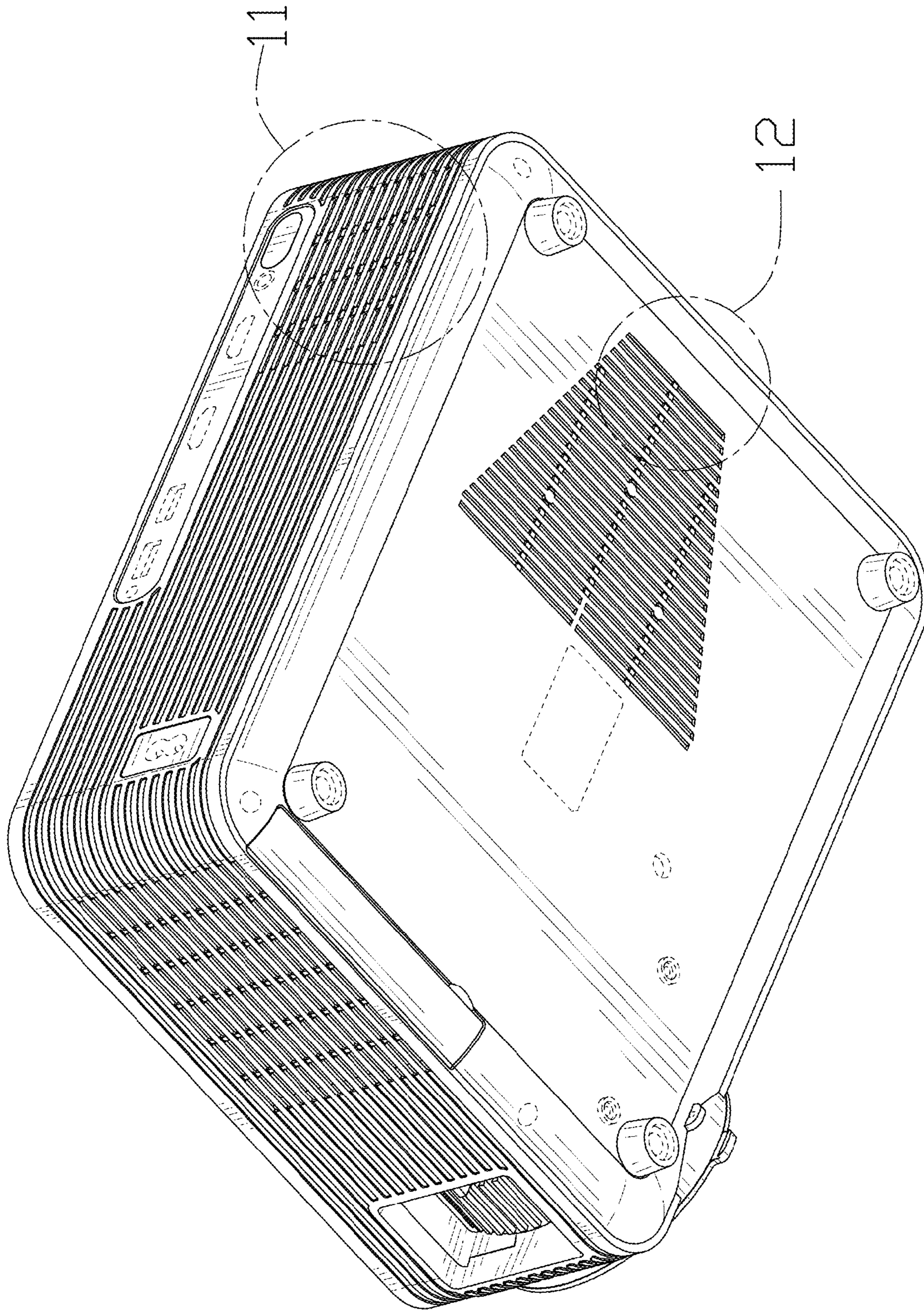


FIG. 2

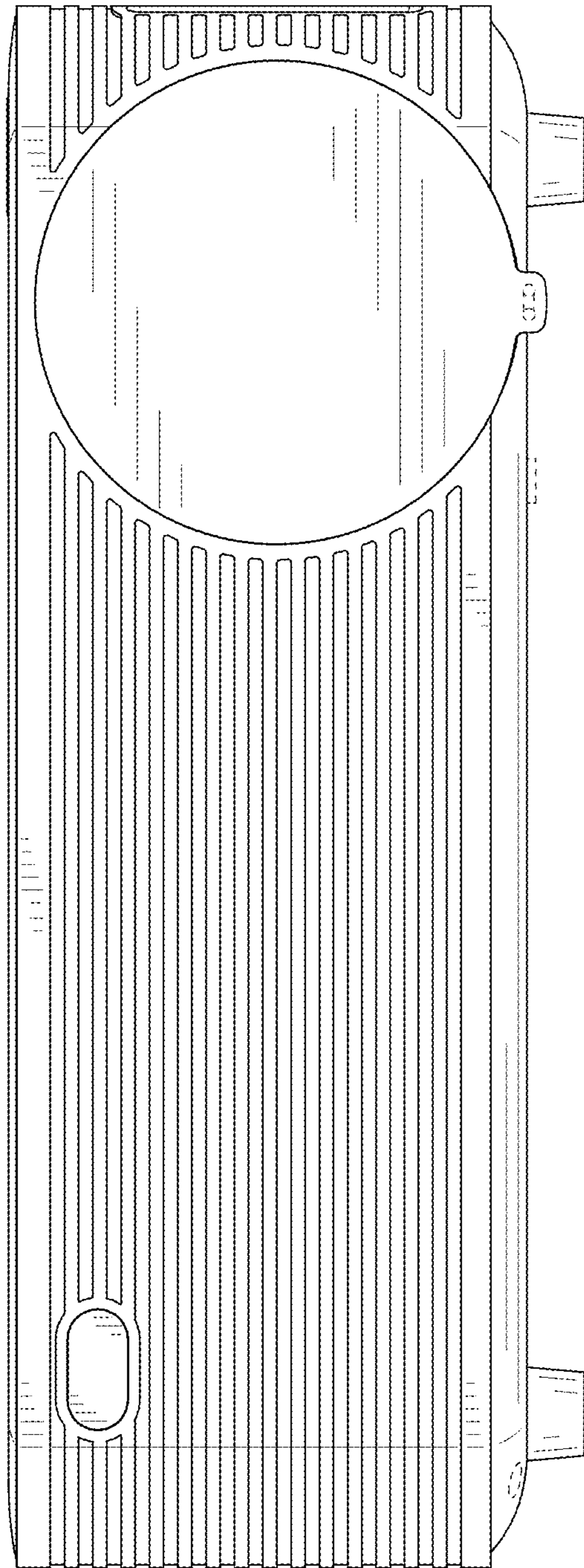


FIG. 3

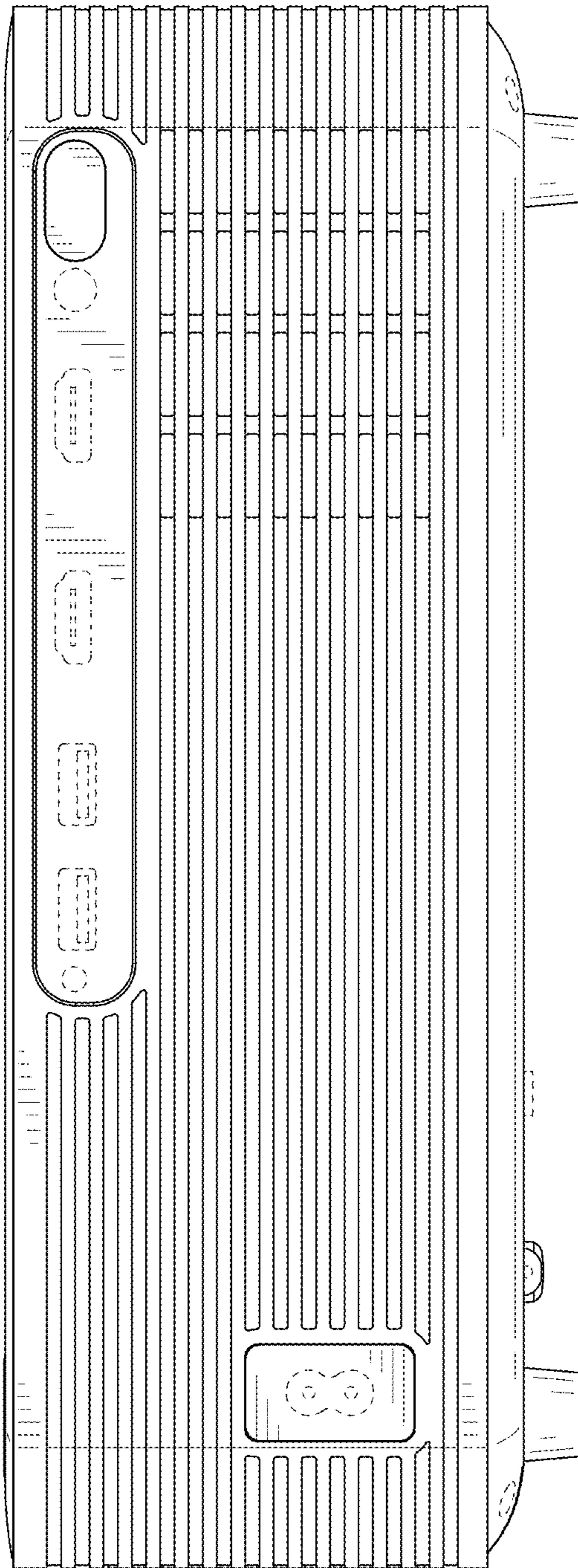


FIG. 4

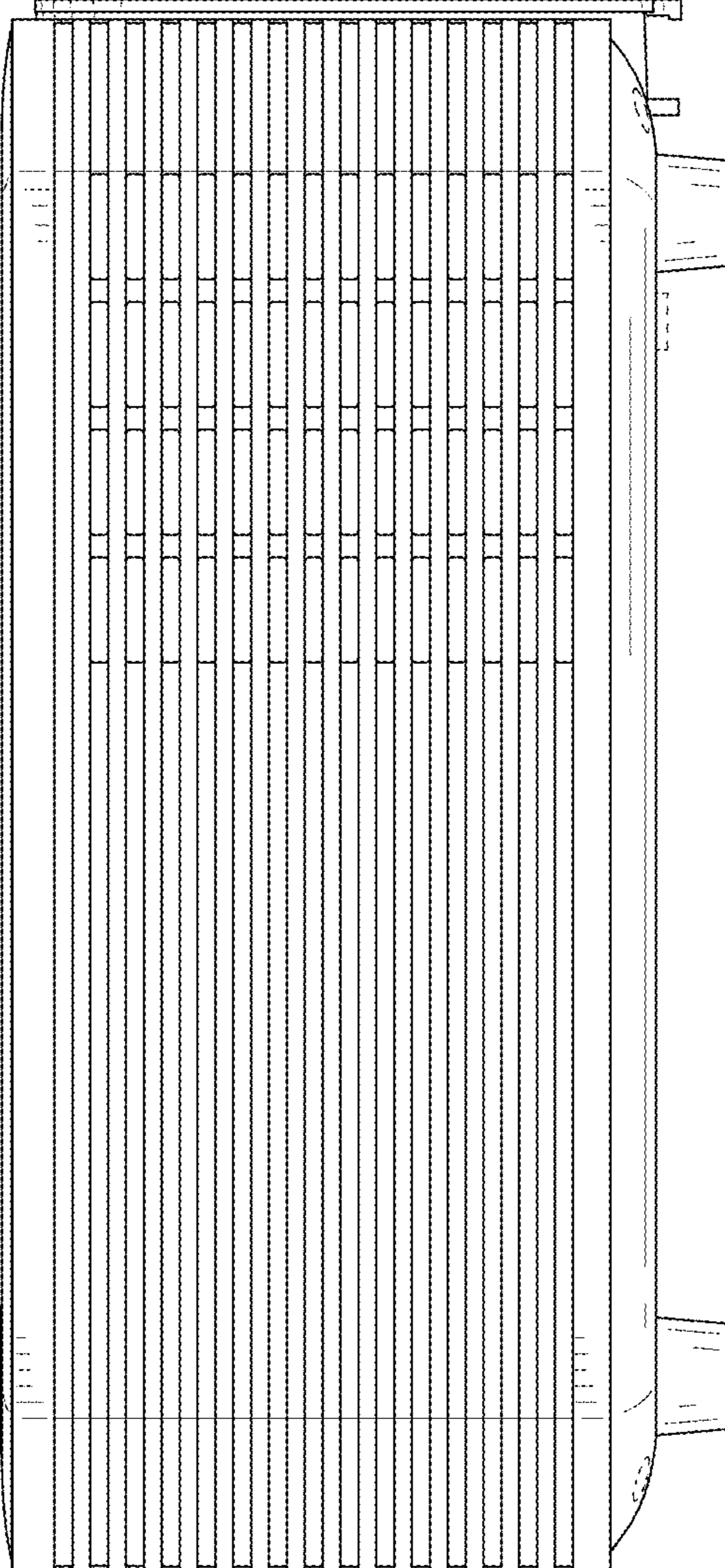


FIG. 5

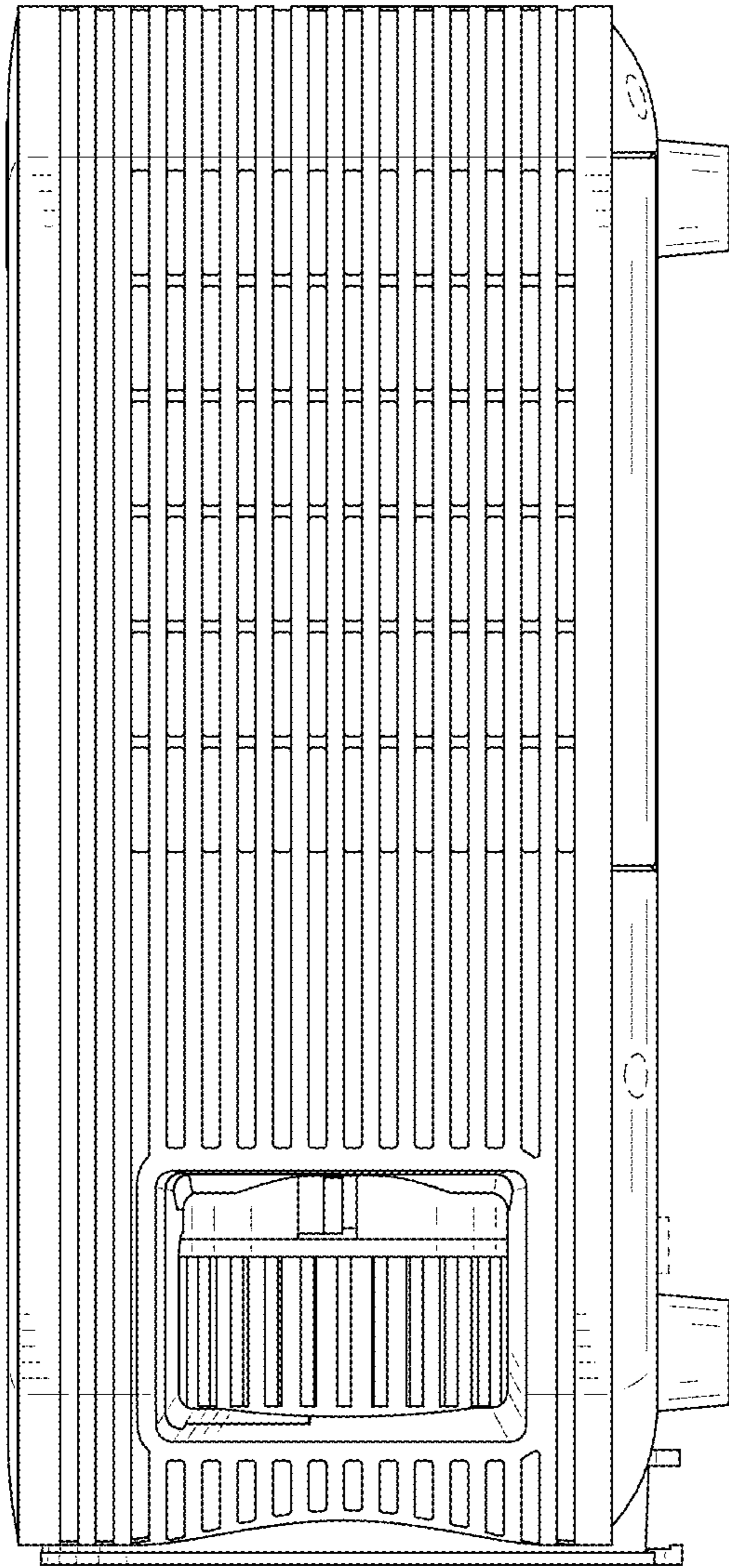


FIG. 6

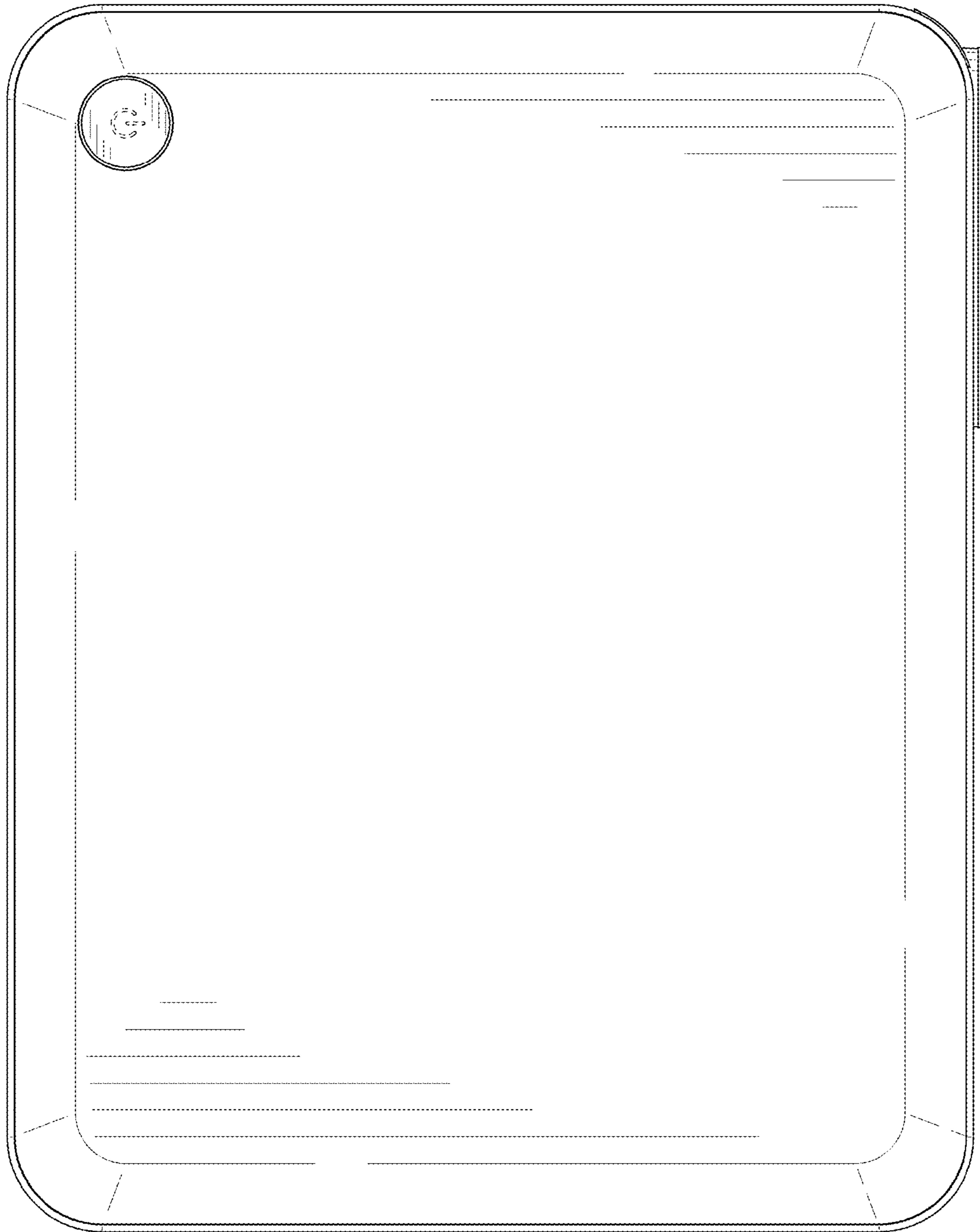


FIG. 7

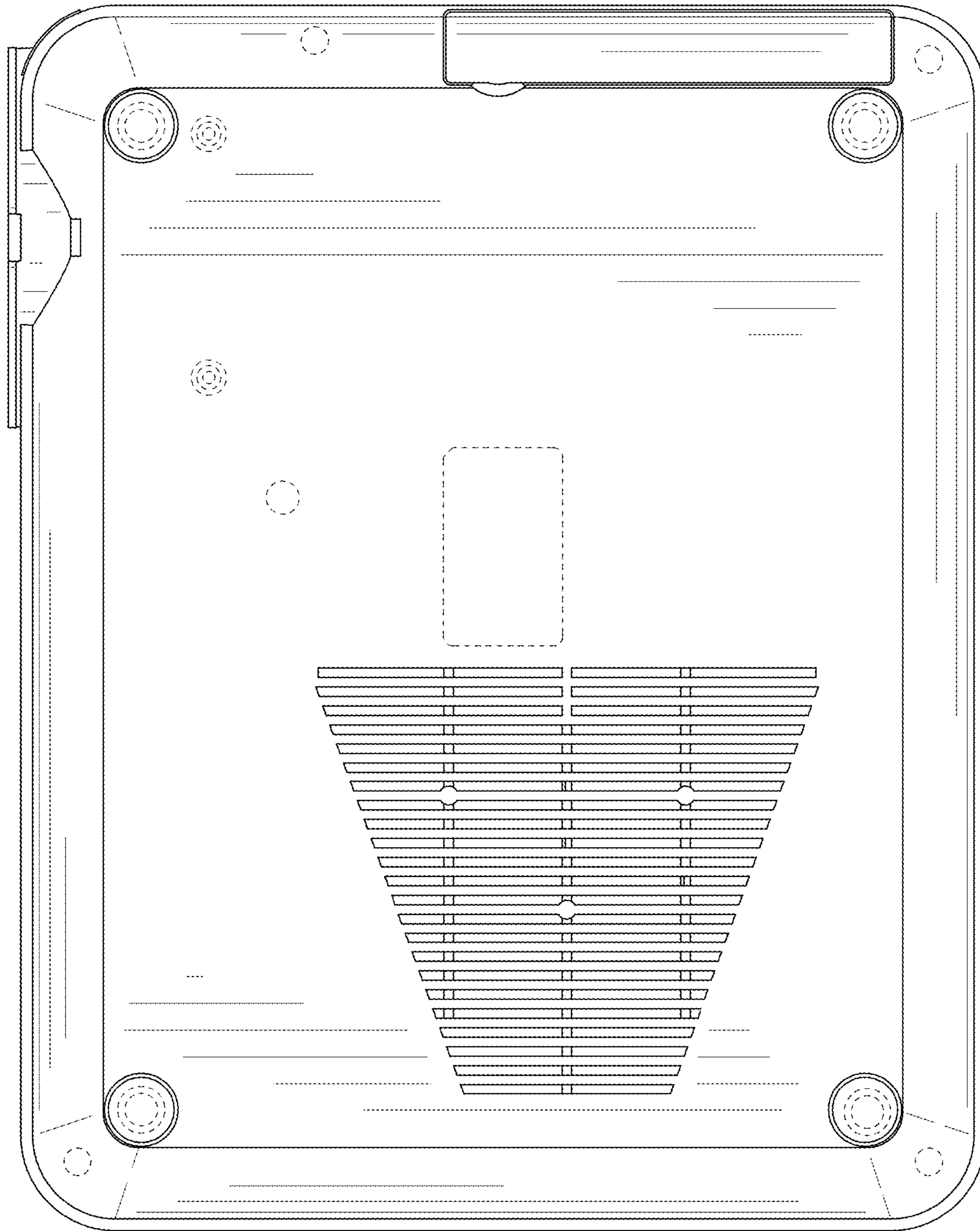


FIG. 8

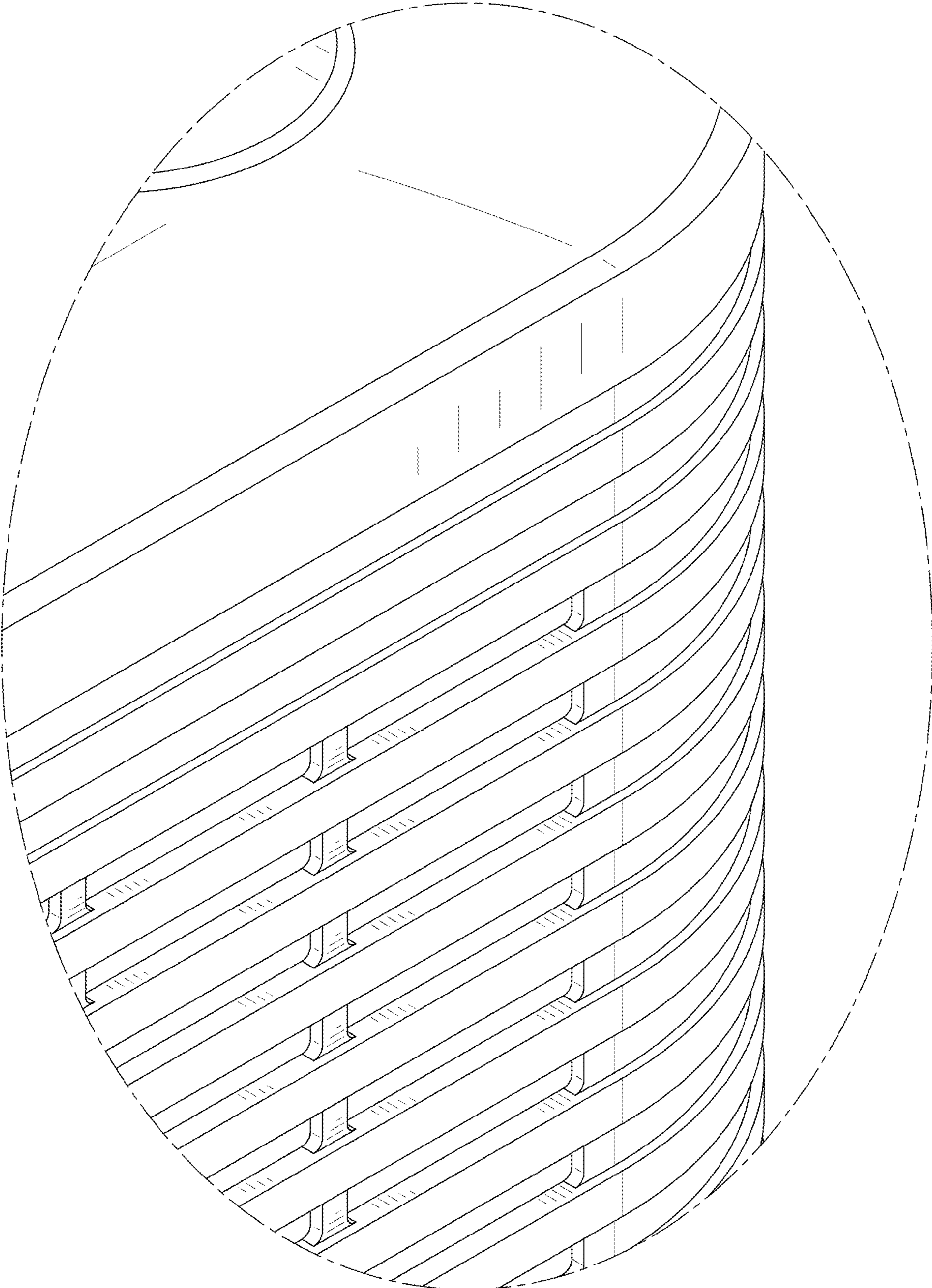


FIG. 9

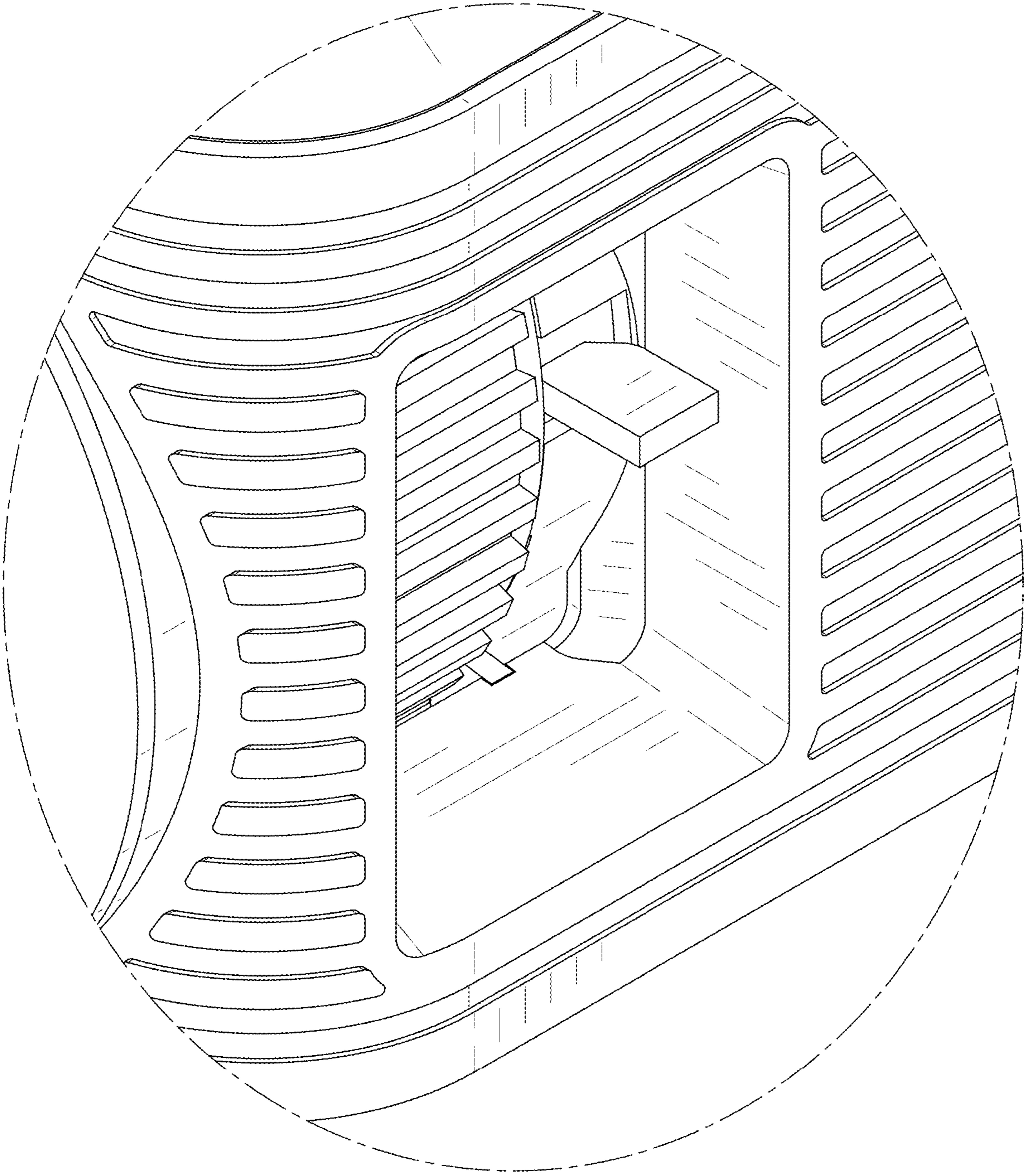


FIG. 10

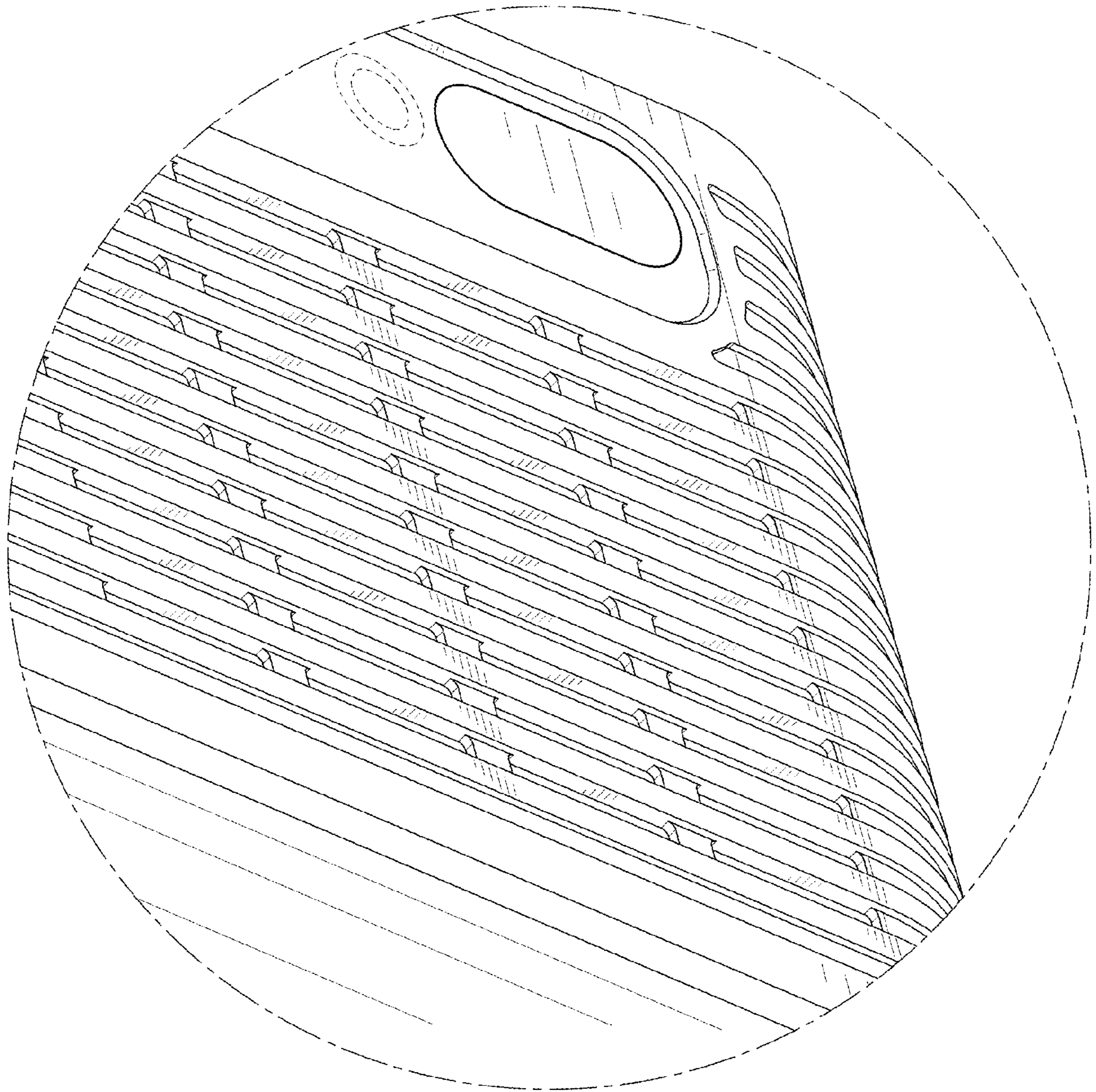


FIG. 11

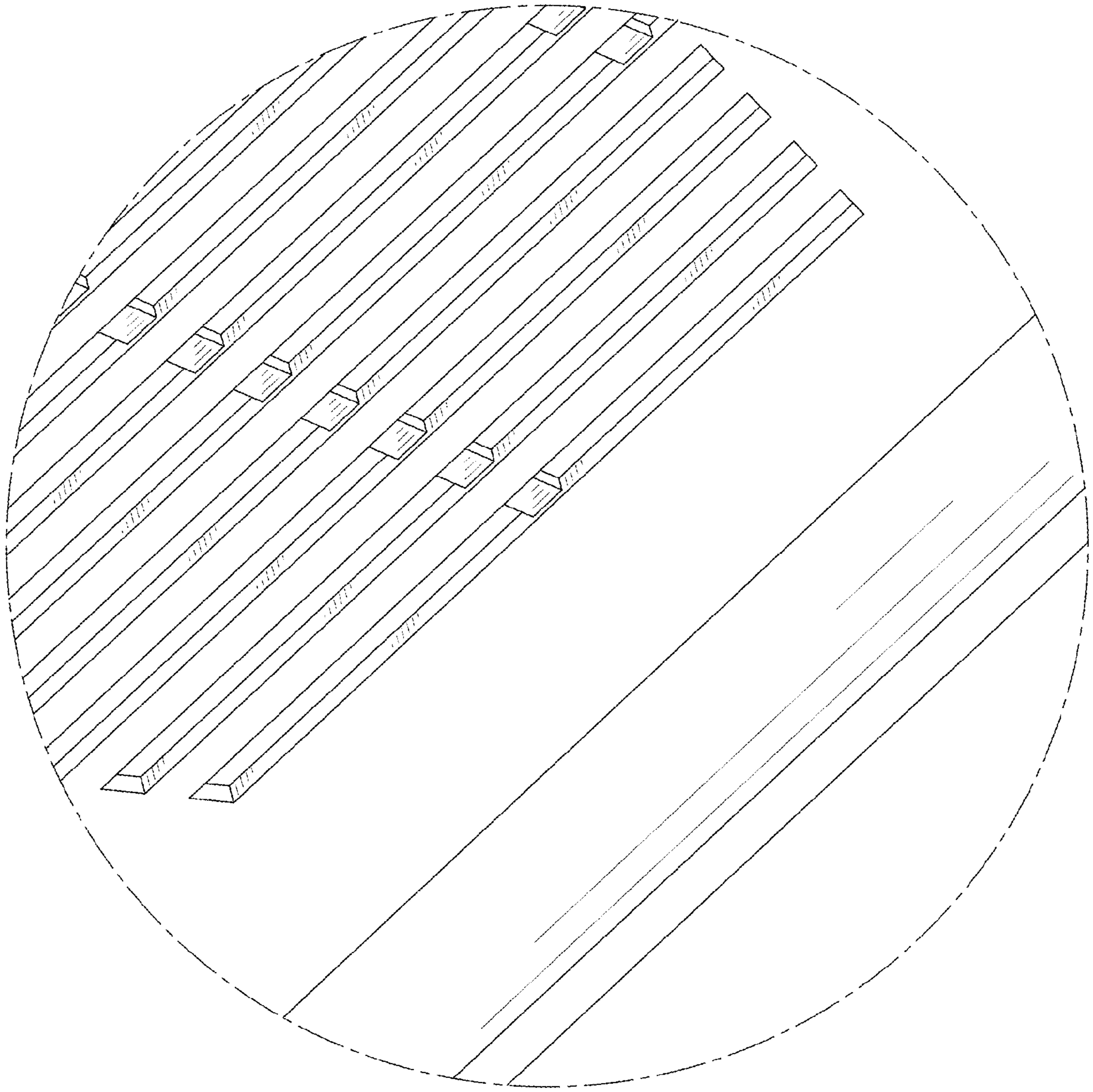


FIG. 12