



US00D946641S

(12) **United States Design Patent**
Radau et al.

(10) **Patent No.: US D946,641 S**

(45) **Date of Patent: ** *Mar. 22, 2022**

(54) **THERMAL IMAGING CAMERA**

(71) Applicant: **Carl Zeiss AG**, Oberkochen (DE)

(72) Inventors: **Nils Radau**, Salzburg (AT); **Andreas Hierl**, Munich (DE); **Patrick Biegemeier**, Salzburg (AT)

(73) Assignee: **Carl Zeiss AG**, Oberkochen (DE)

(*) Notice: This patent is subject to a terminal disclaimer.

(**) Term: **15 Years**

(21) Appl. No.: **29/744,934**

(22) Filed: **Aug. 1, 2020**

(30) **Foreign Application Priority Data**

Feb. 3, 2020 (EM) 007656368-0001

(51) **LOC (13) Cl.** **16-01**

(52) **U.S. Cl.**
USPC **D16/202**

(58) **Field of Classification Search**
USPC D16/200, 202–206, 208, 218, 219, 242;
348/143, 148, 151, 373–376; 396/419,
396/427, 535, 539–541
CPC G03B 17/02; G03B 19/04; G03B 17/56;
G03B 17/04; G03B 15/03; H04N 5/2251;
H04N 5/2252; H04N 5/2253; H04N
5/2254; H04N 7/181; H04N 7/183; H04N
7/18; G08B 13/1963; G08B 13/19619;
G08B 13/19632

See application file for complete search history.

(56) **References Cited**

U.S. PATENT DOCUMENTS

D611,979 S 3/2010 Frank et al.
D652,440 S 1/2012 Davidson et al.

D719,995 S 12/2014 Huang et al.
D769,955 S * 10/2016 Faehrmann D16/202
D809,046 S * 1/2018 Hatcher D16/202
D815,170 S 4/2018 McKenna et al.
D850,508 S * 6/2019 Ibbetson D16/202
D874,534 S * 2/2020 Matsuo D16/203
D886,176 S * 6/2020 Wu D16/202
D890,830 S * 7/2020 Song D16/202
D911,414 S * 2/2021 Zheng D16/202

(Continued)

FOREIGN PATENT DOCUMENTS

EM 005519543-0001 8/2018

Primary Examiner — Ramzi Almatrahi

(74) *Attorney, Agent, or Firm* — Falk Ewers; Ewers IP Law PLLC

(57) **CLAIM**

The ornamental design for a thermal imaging camera, as shown and described.

DESCRIPTION

The file of this patent contains at least one drawing/photograph executed in color. Copies of this patent with color drawing(s)/photograph(s) will be provided by the Office upon request and payment of the necessary fee.

FIG. 1 is a top perspective view of a thermal imaging camera showing our new design;

FIG. 2 is a bottom perspective view thereof;

FIG. 3 is a top plan view thereof;

FIG. 4 is a bottom plan view thereof;

FIG. 5 is a right side view thereof;

FIG. 6 is a left side view thereof;

FIG. 7 is a rear view thereof; and,

FIG. 8 is a front view thereof.

The broken lines and the faded areas depict portions of the thermal imaging camera in which the design is embodied that form no part of the claimed design.

1 Claim, 8 Drawing Sheets
(8 of 8 Drawing Sheet(s) Filed in Color)



(56)

References Cited

U.S. PATENT DOCUMENTS

D922,466 S * 6/2021 Larsen D16/202
2006/0133798 A1* 6/2006 Palmer G02B 23/12
396/427

* cited by examiner



FIG. 1



FIG. 2



FIG. 3

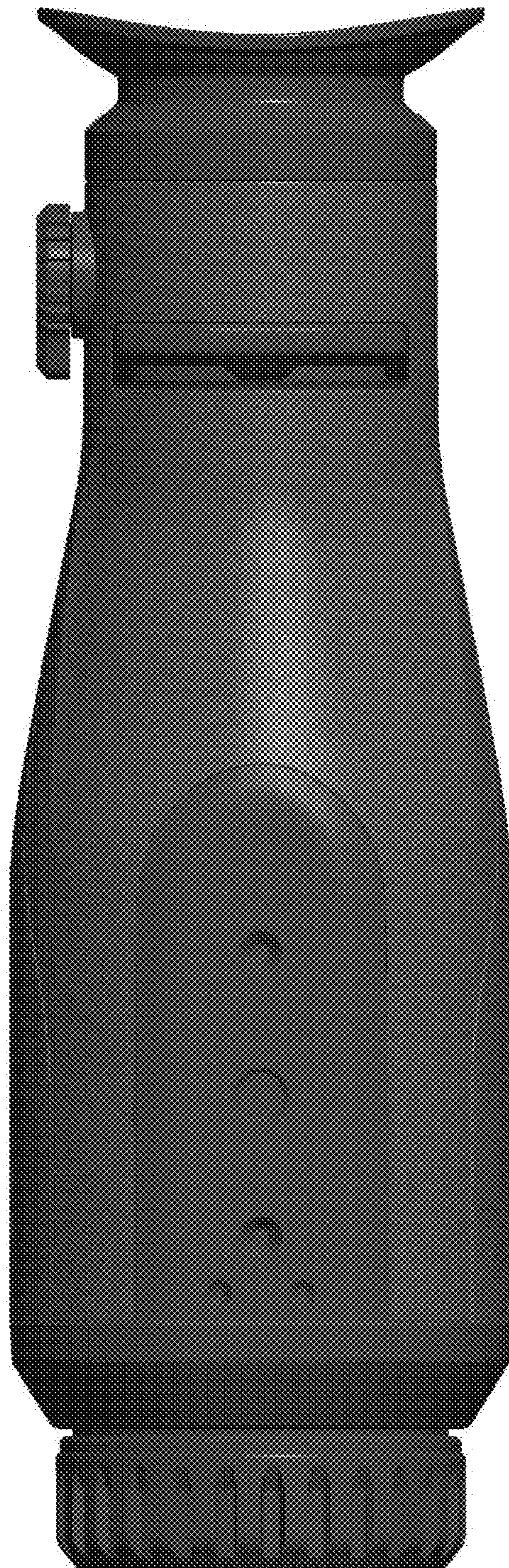


FIG. 4

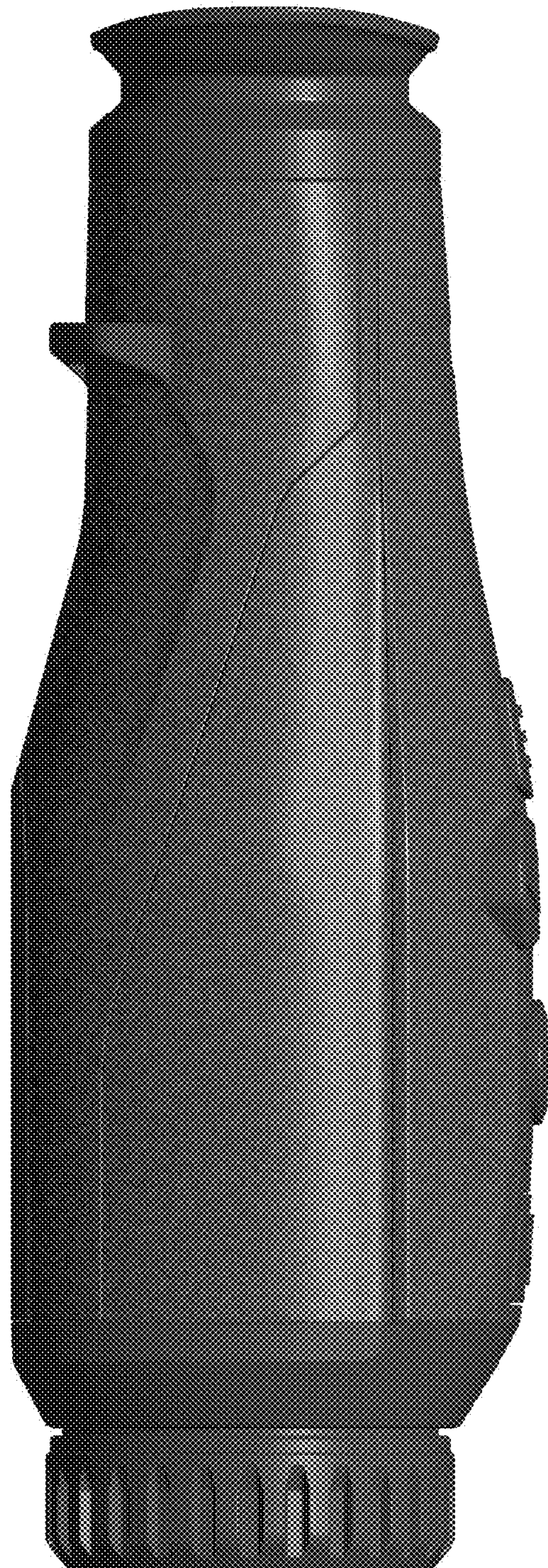


FIG. 5

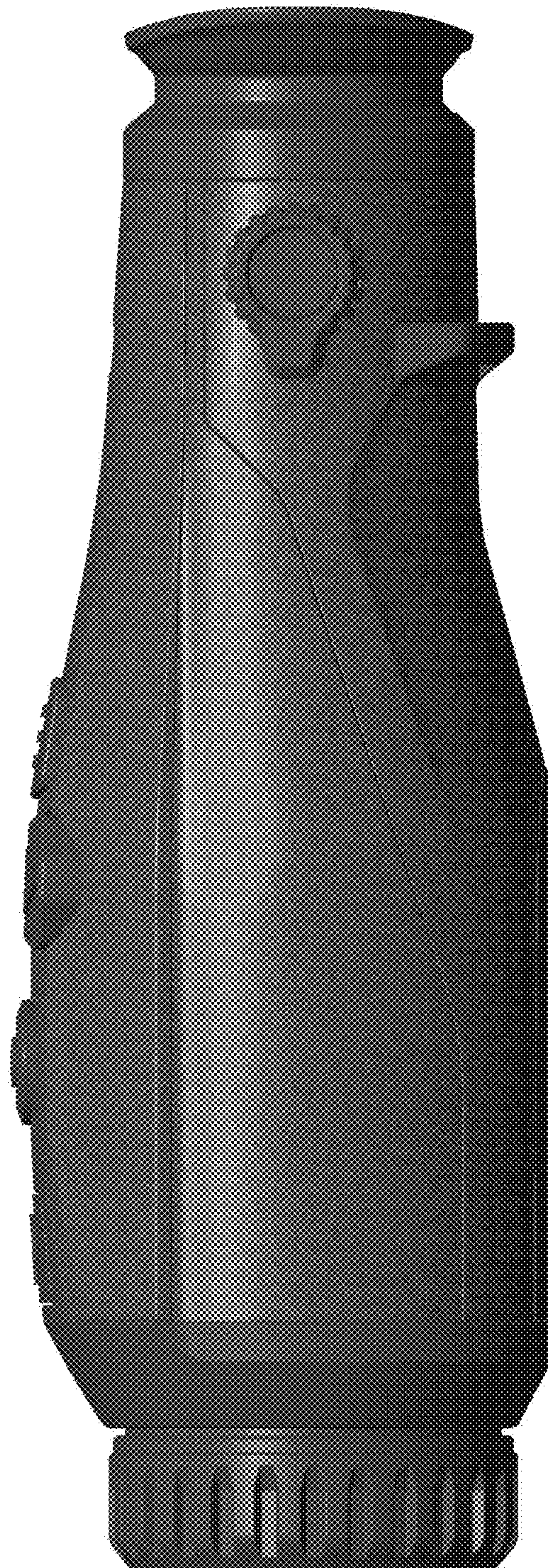


FIG. 6

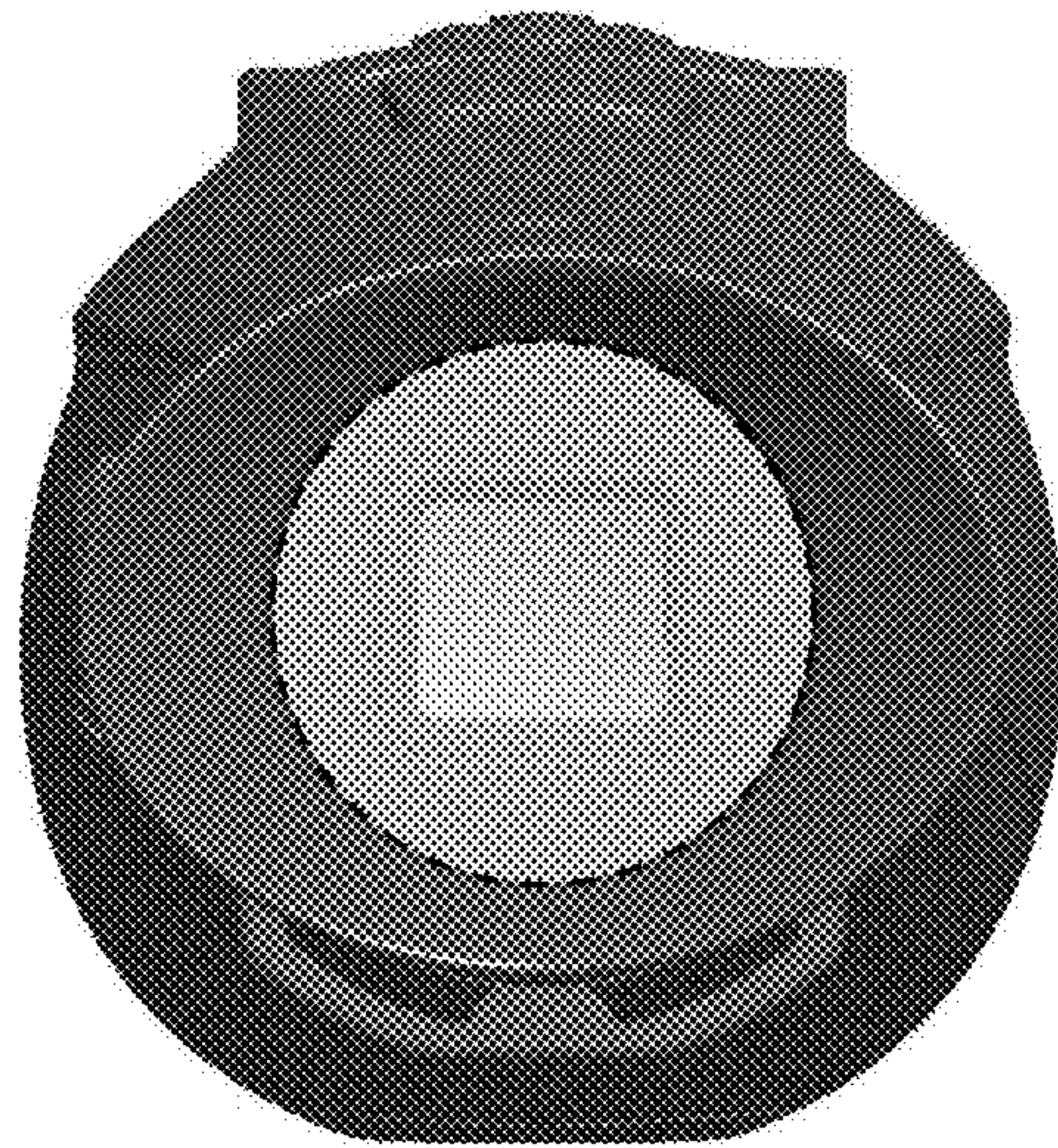


FIG. 7



FIG. 8