

US00D946637S

(12) **United States Design Patent**
Yuan

(10) **Patent No.:** **US D946,637 S**

(45) **Date of Patent:** **** Mar. 22, 2022**

(54) **FOOD DEFROST TRAY**

(71) Applicant: **Yangjiang Haode Industry & Trading Co., Ltd, Yangjiang (CN)**

(72) Inventor: **HangYu Yuan, Yangjiang (CN)**

(73) Assignee: **Yangjiang Haode Industry & Trading Co., Ltd, Yangjiang (CN)**

(**) Term: **15 Years**

(21) Appl. No.: **29/774,516**

(22) Filed: **Mar. 17, 2021**

(51) **LOC (13) Cl.** **15-07**

(52) **U.S. Cl.**
USPC **D15/89**

(58) **Field of Classification Search**
USPC D15/79-91

CPC .. F25D 11/00; F25D 17/065; F25D 2325/022;
F25D 23/069; F25D 25/025; F25D 11/02;
F25D 17/062; F25D 21/12; F25D 21/125;
F25D 21/14; F25D 2317/061; F25D
2317/067; F25D 2323/021; F25D
2323/024; F25D 23/028; F25D 23/04;
F25D 23/066; F25D 23/085; F25D
23/087; F25D 23/126; F25D 2400/02;
F25D 2400/06; F25D 2400/361; F25D
2400/40; F25D 25/005; F25D 25/02;
F25D 2600/02; F25D 2700/02; F25D
2700/12; F25D 2700/121; F25D 2700/14;
F25D 29/00

See application file for complete search history.

(56) **References Cited**

U.S. PATENT DOCUMENTS

D494,409 S	8/2004	Khubani	
D551,262 S *	9/2007	Becke	D15/89
D612,405 S *	3/2010	Eicher	D15/89
D714,840 S *	10/2014	Yang	D15/89
D800,801 S *	10/2017	Park	D15/89
D802,631 S *	11/2017	Seo	D15/90
D823,357 S *	7/2018	Hsieh	D15/89
D849,804 S *	5/2019	Seo	D15/89

* cited by examiner

Primary Examiner — Khawaja Anwar

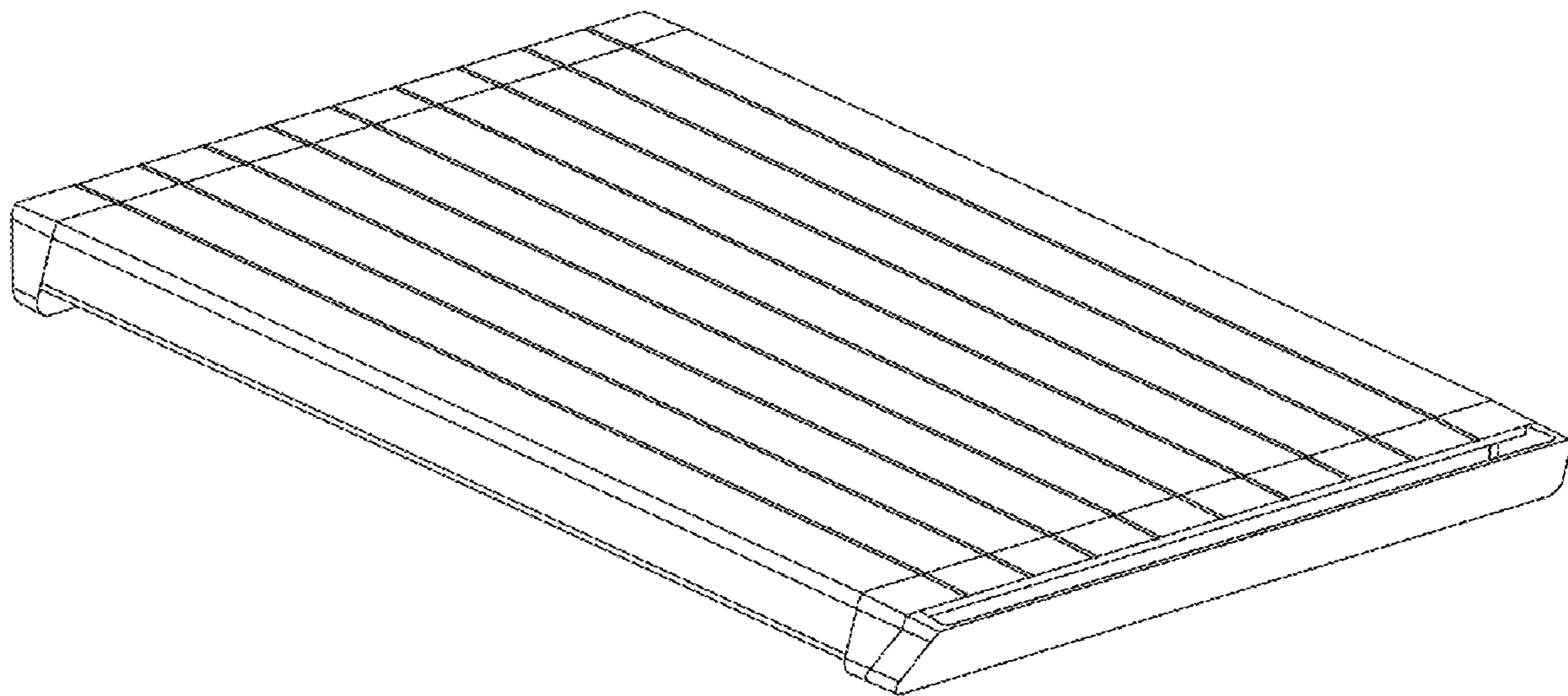
(57) **CLAIM**

The ornamental design for a food defrost tray, as shown and described.

DESCRIPTION

FIG. 1 is a perspective view of a food defrost tray showing my/our new design;
FIG. 2 is an alternative perspective view thereof;
FIG. 3 is a front view thereof;
FIG. 4 is a back view thereof;
FIG. 5 is a left side view thereof;
FIG. 6 is a right side view thereof;
FIG. 7 is a top view thereof; and,
FIG. 8 is a bottom view thereof.

1 Claim, 8 Drawing Sheets



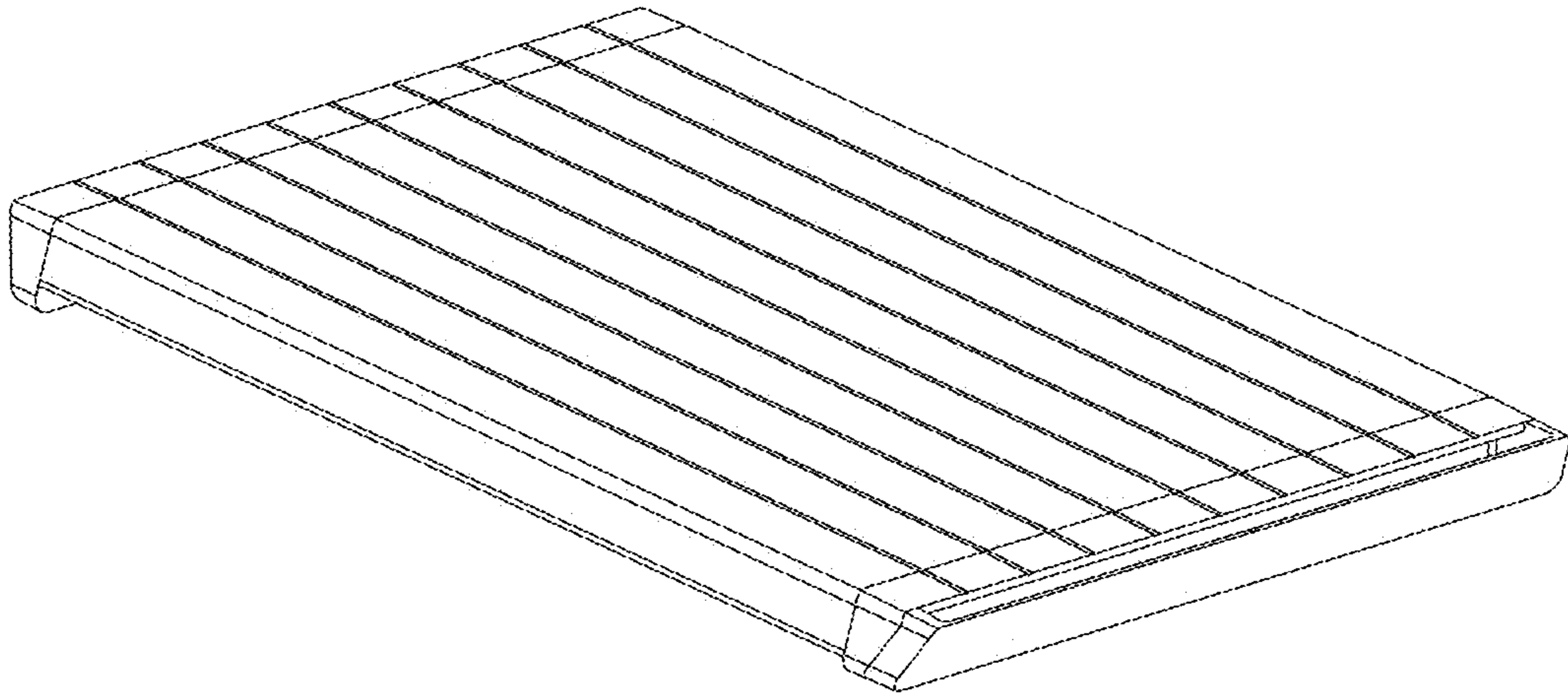


FIG. 1

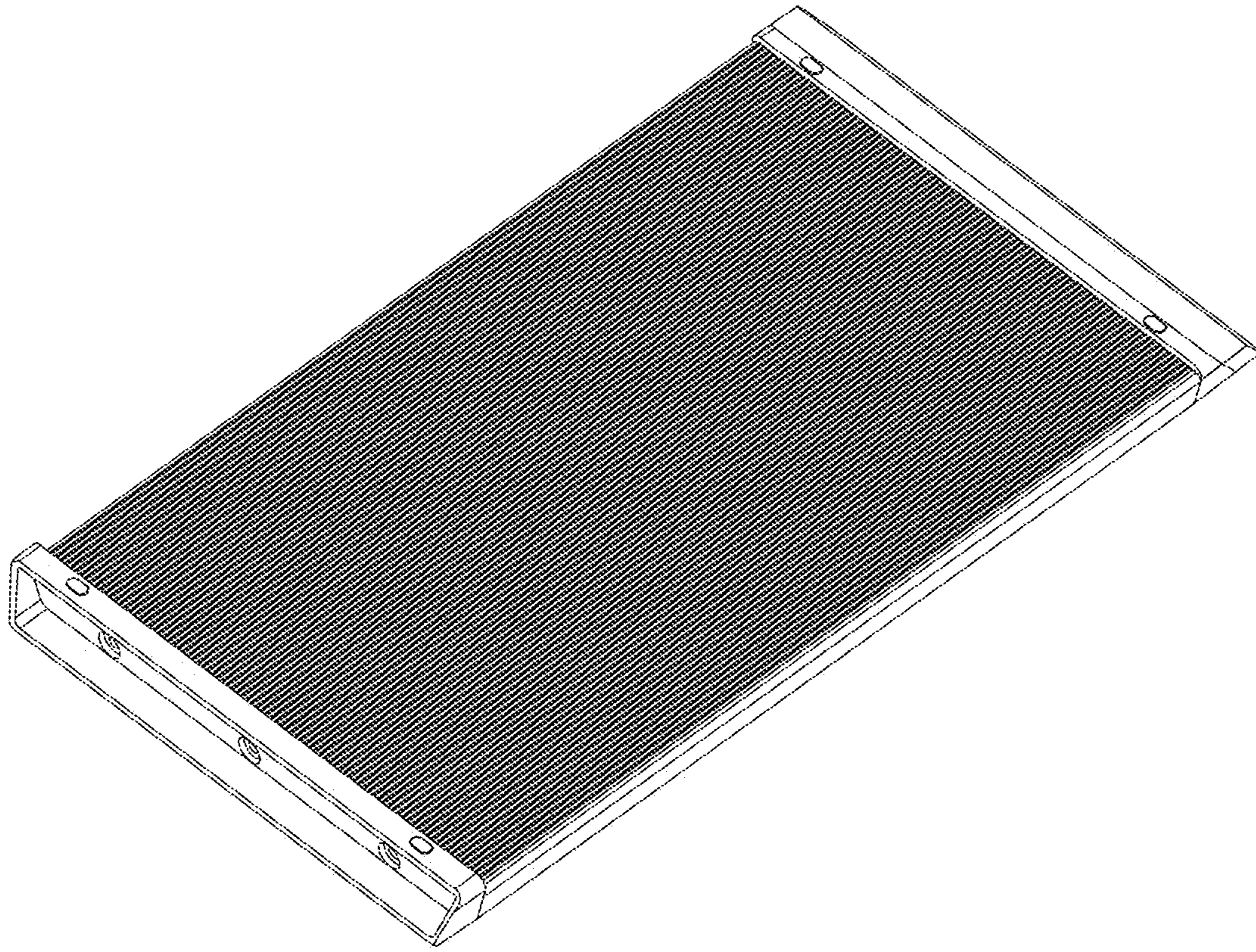


FIG. 2

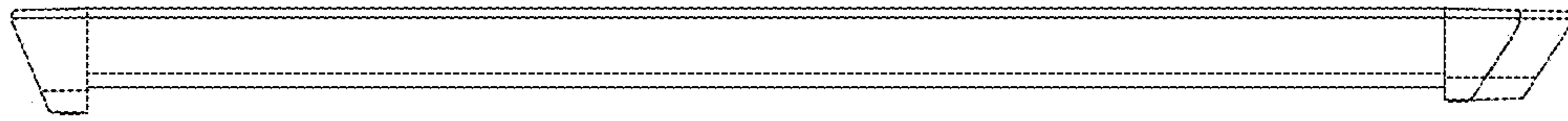


FIG. 3

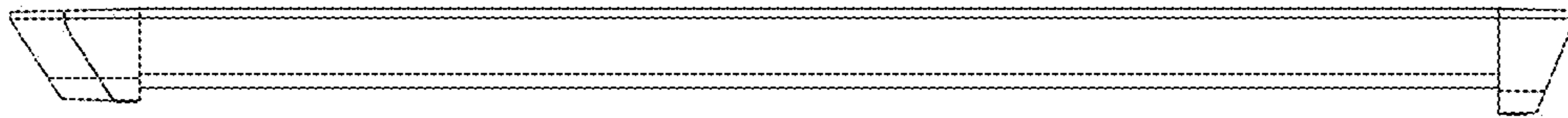


FIG. 4

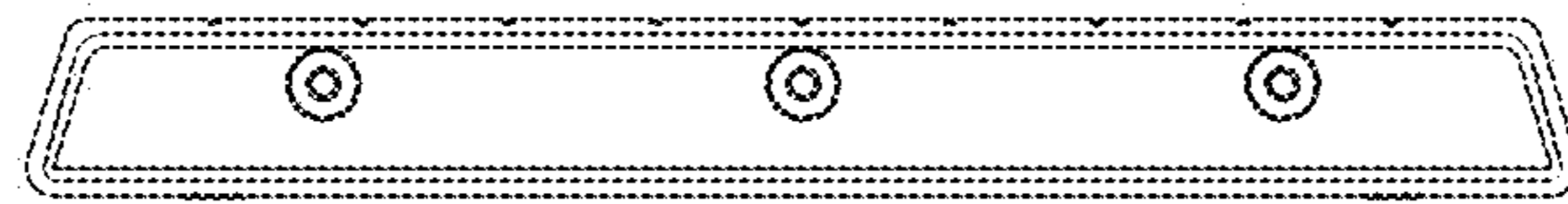


FIG. 5

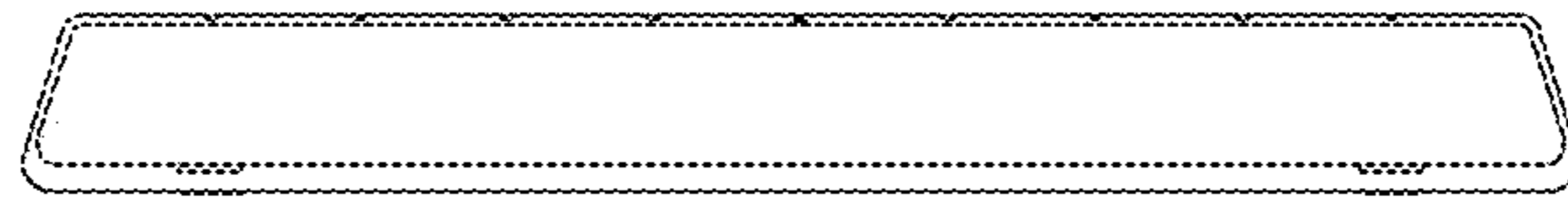


FIG. 6

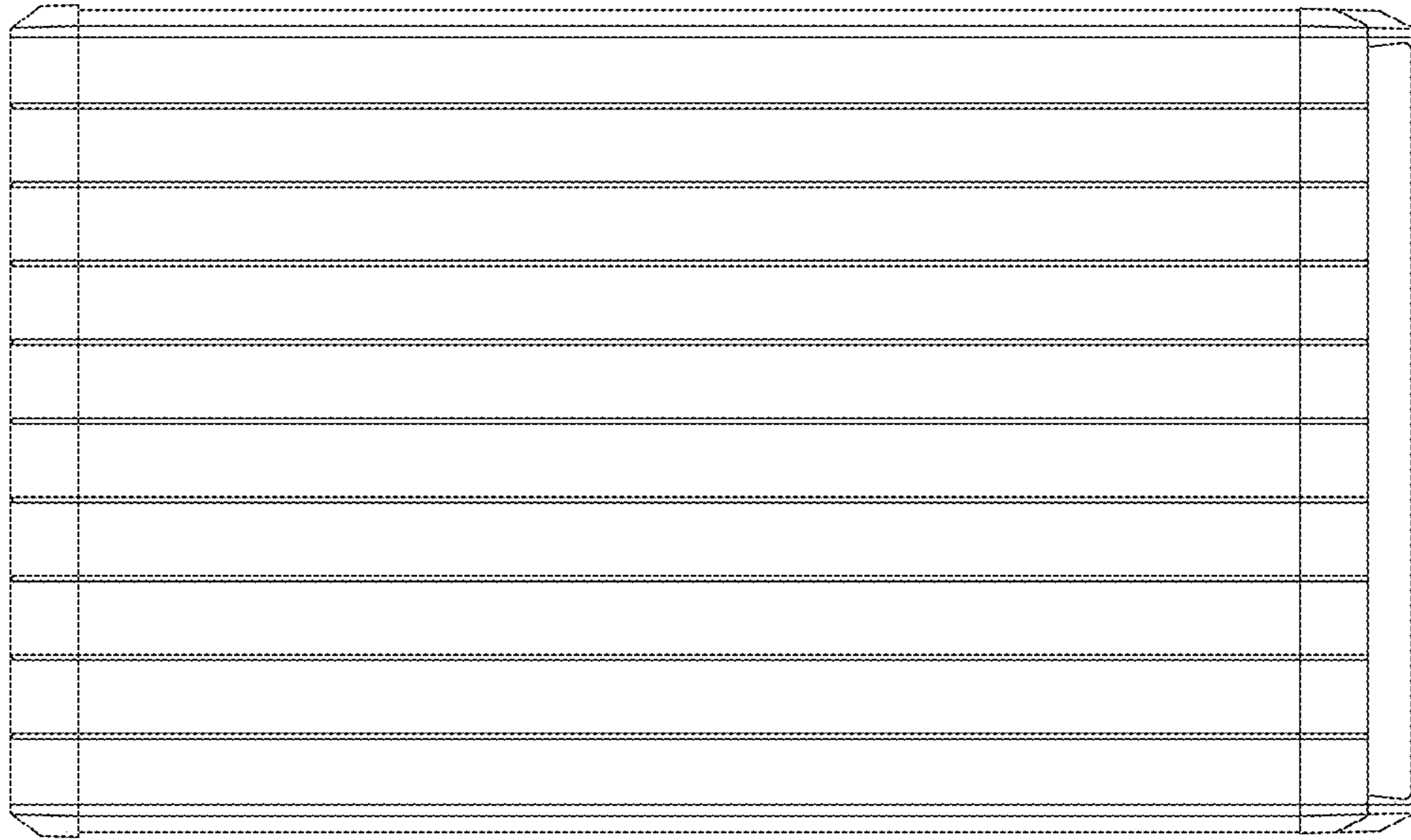


FIG. 7

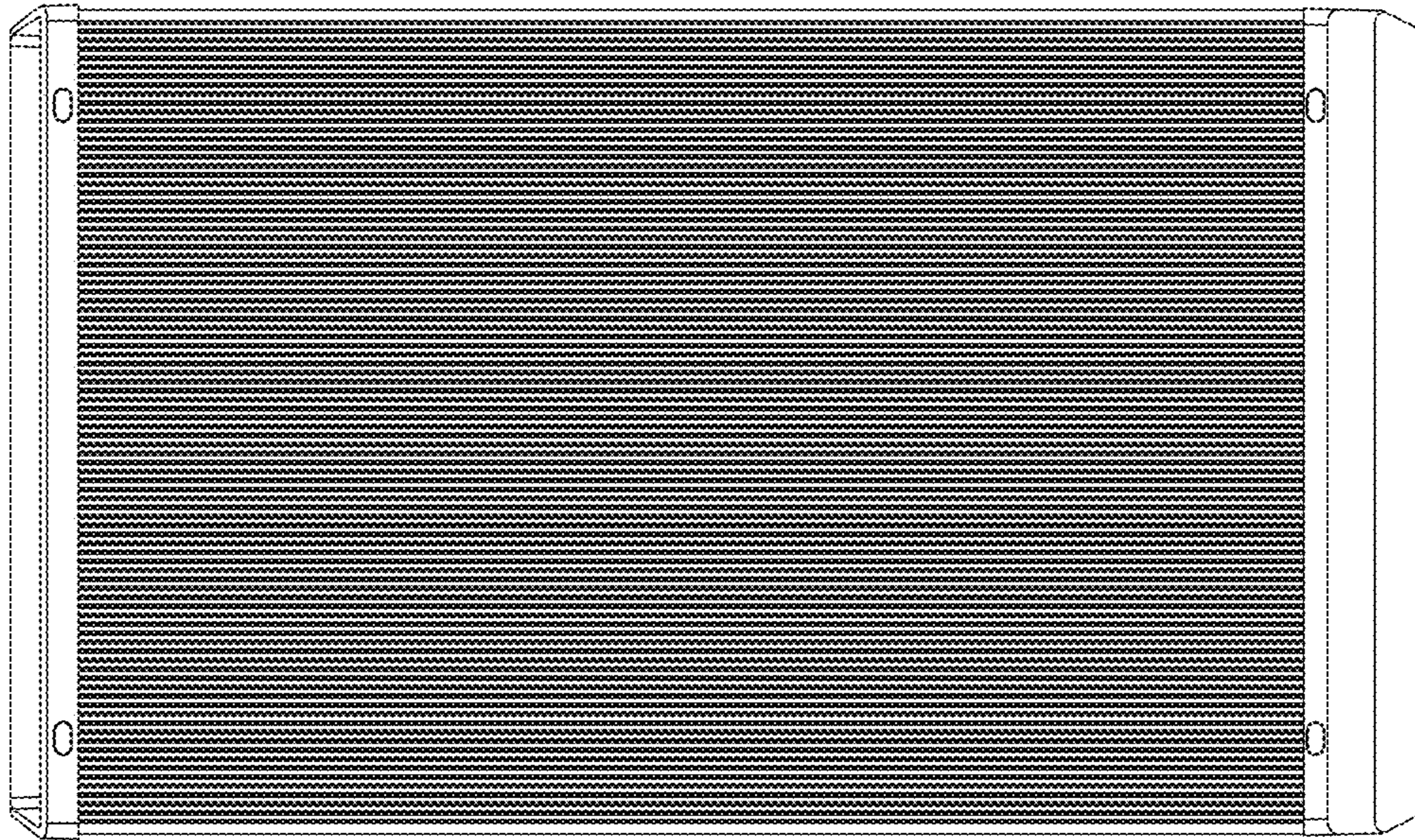


FIG. 8