



US00D946635S

(12) **United States Design Patent**
Deng

(10) **Patent No.:** **US D946,635 S**

(45) **Date of Patent:** **** Mar. 22, 2022**

(54) **REFRIGERATOR**

D906,377 S * 12/2020 Tang D15/79
D922,454 S * 6/2021 Tang D15/79
D937,328 S * 11/2021 Tang D15/79

(71) Applicant: **GD JG ELECTRONIC LTD.**,
Guangzhou (CN)

(Continued)

(72) Inventor: **Junlin Deng**, Guangzhou (CN)

Primary Examiner — Khawaja Anwar

(73) Assignee: **GD JG ELECTRONIC LTD.**,
Guangzhou (CN)

(57) **CLAIM**

The ornamental design for a refrigerator, as shown and described.

(**) Term: **15 Years**

DESCRIPTION

(21) Appl. No.: **29/780,219**

(22) Filed: **Apr. 23, 2021**

(51) **LOC (13) Cl.** **15-07**

(52) **U.S. Cl.**
USPC **D15/79**

(58) **Field of Classification Search**
USPC D15/79-91; D7/603-608; D3/272-274
CPC F25D 17/02; F25D 11/003; F25D 19/003;
F25D 19/02; F25D 21/04; F25D 2201/14;
F25D 2331/803; F25D 2331/805; F25D
23/006; F25D 23/028; F25D 23/065;
F25D 23/066; F25D 23/085; F25D
2400/20; F25D 2400/28; F25D 2400/38;
F25D 2700/16; F25D 29/00; F25D
29/003; F25D 29/005; F25D 31/006;
F25D 31/007

See application file for complete search history.

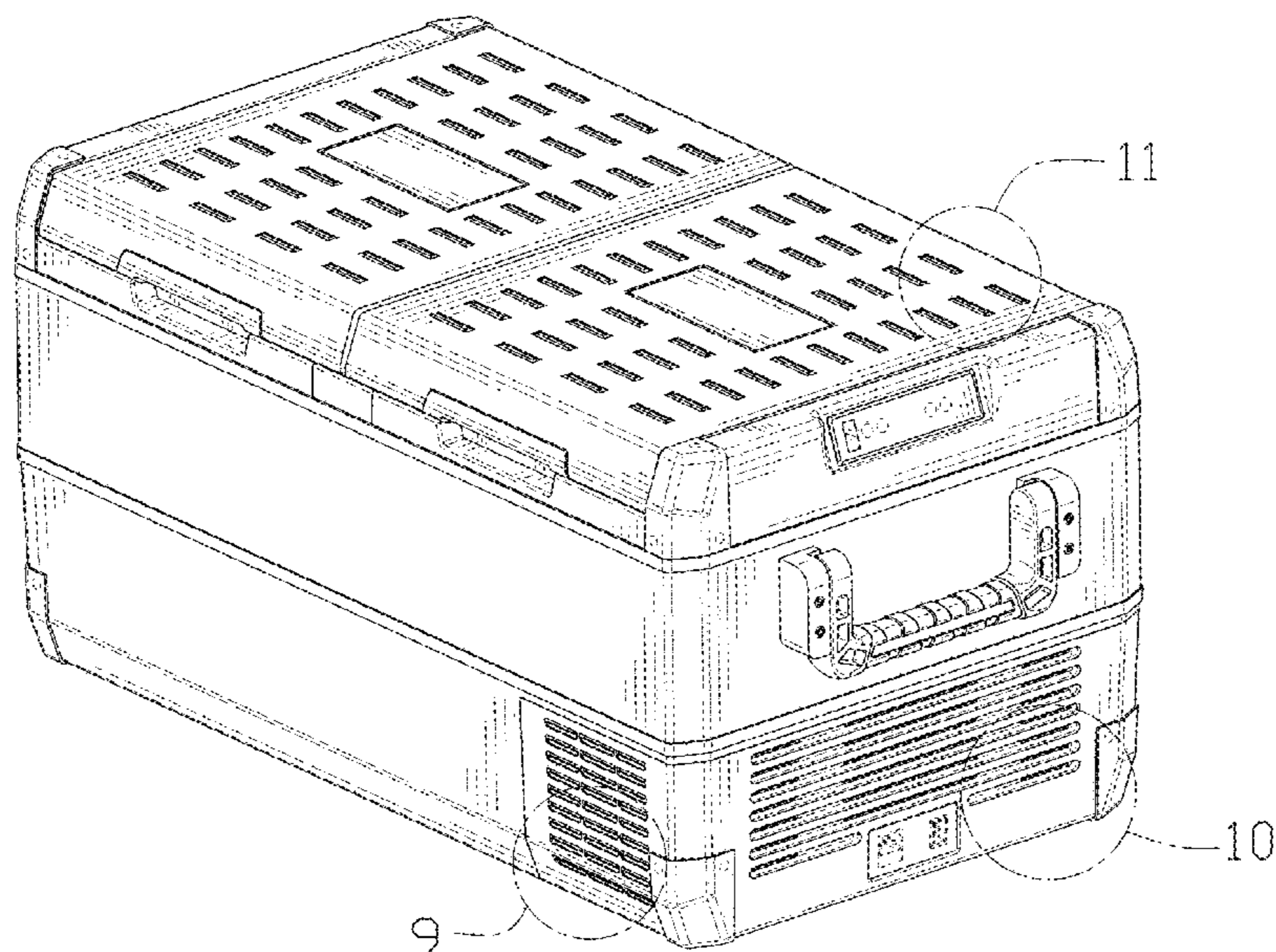
FIG. 1 is a perspective view of a first embodiment of a refrigerator showing my new design; FIG. 2 is another perspective view thereof; FIG. 3 is a front elevational view thereof; FIG. 4 is a rear elevational view thereof; FIG. 5 is a left side elevational view thereof; FIG. 6 is a right side elevational view thereof; FIG. 7 is a top plan view thereof; FIG. 8 is a bottom plan view thereof; FIG. 9 is an enlarged view of portion 9 shown in FIG. 1; FIG. 10 is an enlarged view of portion 10 shown in FIG. 1; FIG. 11 is an enlarged view of portion 11 shown in FIG. 1; FIG. 12 is a perspective view of a second embodiment of the refrigerator showing my new design; FIG. 13 is another perspective view thereof; FIG. 14 is a front elevational view thereof; FIG. 15 is a rear elevational view thereof; FIG. 16 is a left side elevational view thereof; FIG. 17 is a right side elevational view thereof; FIG. 18 is a top plan view thereof; FIG. 19 is a bottom plan view thereof; FIG. 20 is an enlarged view of portion 20 shown in FIG. 12; FIG. 21 is an enlarged view of portion 21 shown in FIG. 12; and, FIG. 22 is an enlarged view of portion 22 shown in FIG. 12. The broken lines in the drawings depict portions of the refrigerator that form no part of the claimed design.

(56) **References Cited**

U.S. PATENT DOCUMENTS

D527,225 S * 8/2006 Krieger D7/605
D830,429 S * 10/2018 Brown D15/79
10,240,851 B2 3/2019 Kim et al.
D848,364 S * 5/2019 Tang D13/103
10,317,125 B2 6/2019 Xu et al.
10,641,538 B1 * 5/2020 Tang F25D 23/06
D891,365 S * 7/2020 Yang D13/107

1 Claim, 22 Drawing Sheets



(56)

References Cited

U.S. PATENT DOCUMENTS

2007/0193297 A1* 8/2007 Wilson F25D 29/00
62/371
2009/0158770 A1* 6/2009 Cohrs F25D 23/12
62/457.9
2021/0018250 A1* 1/2021 Tang F25B 27/00

* cited by examiner

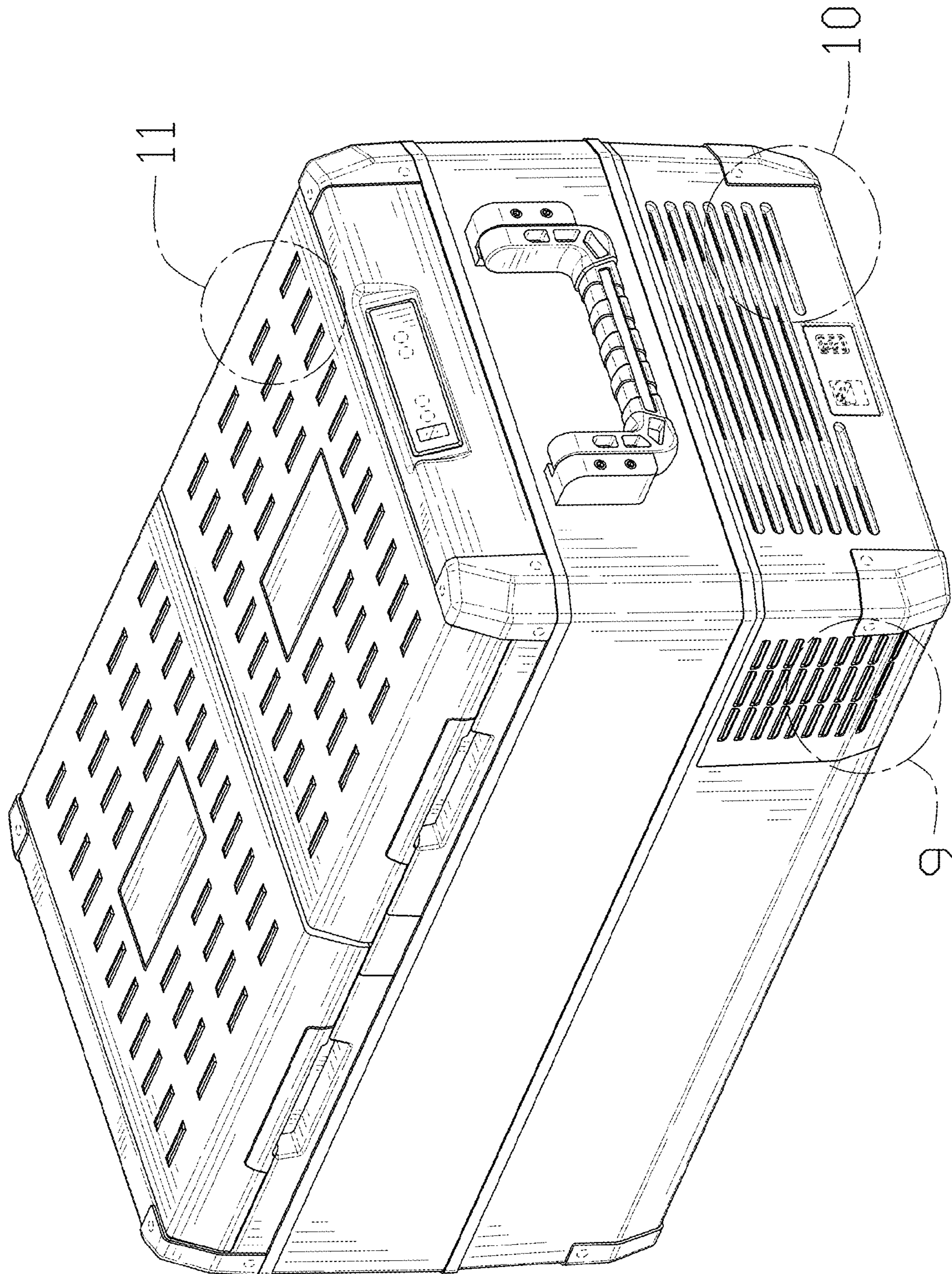


FIG. 1

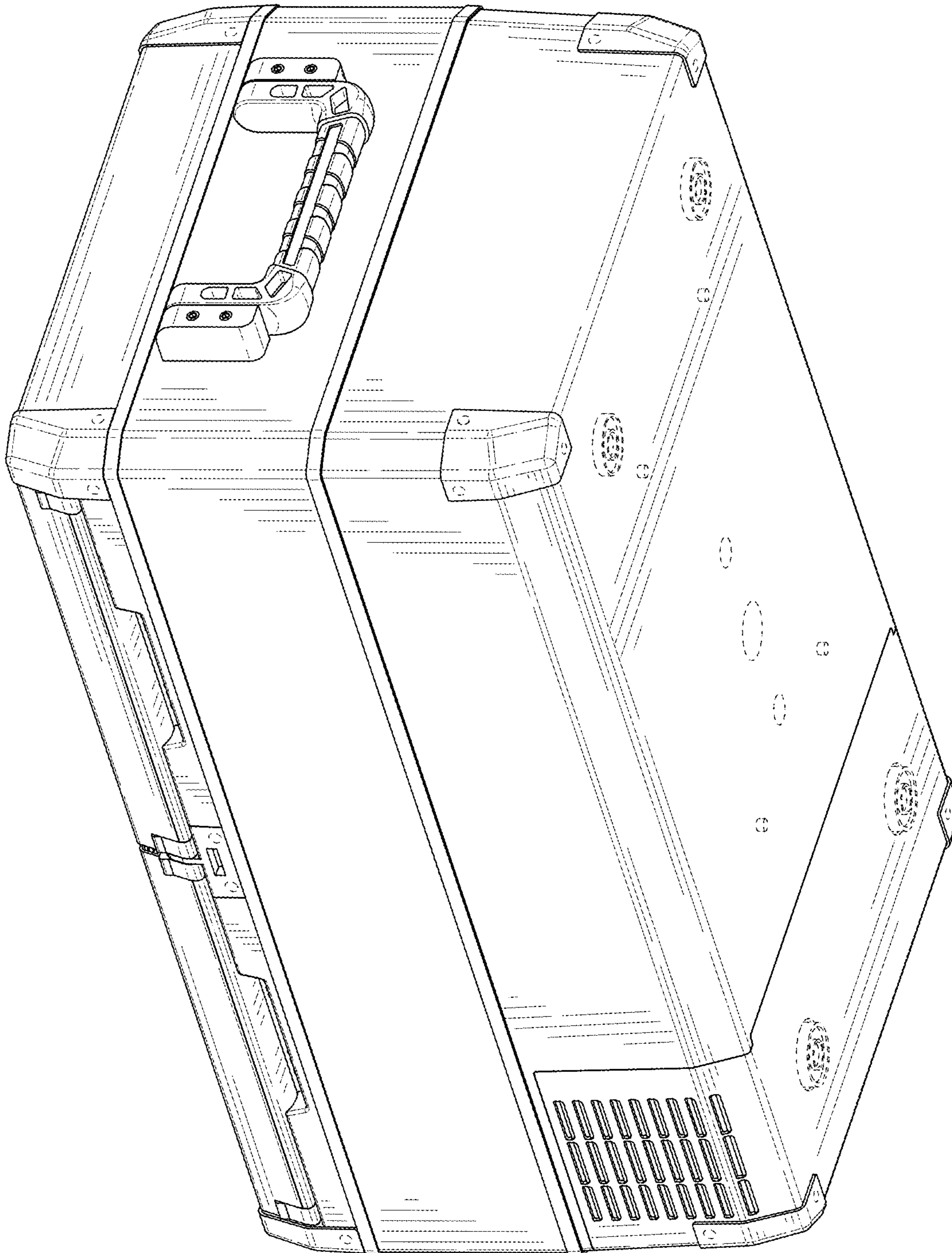


FIG. 2

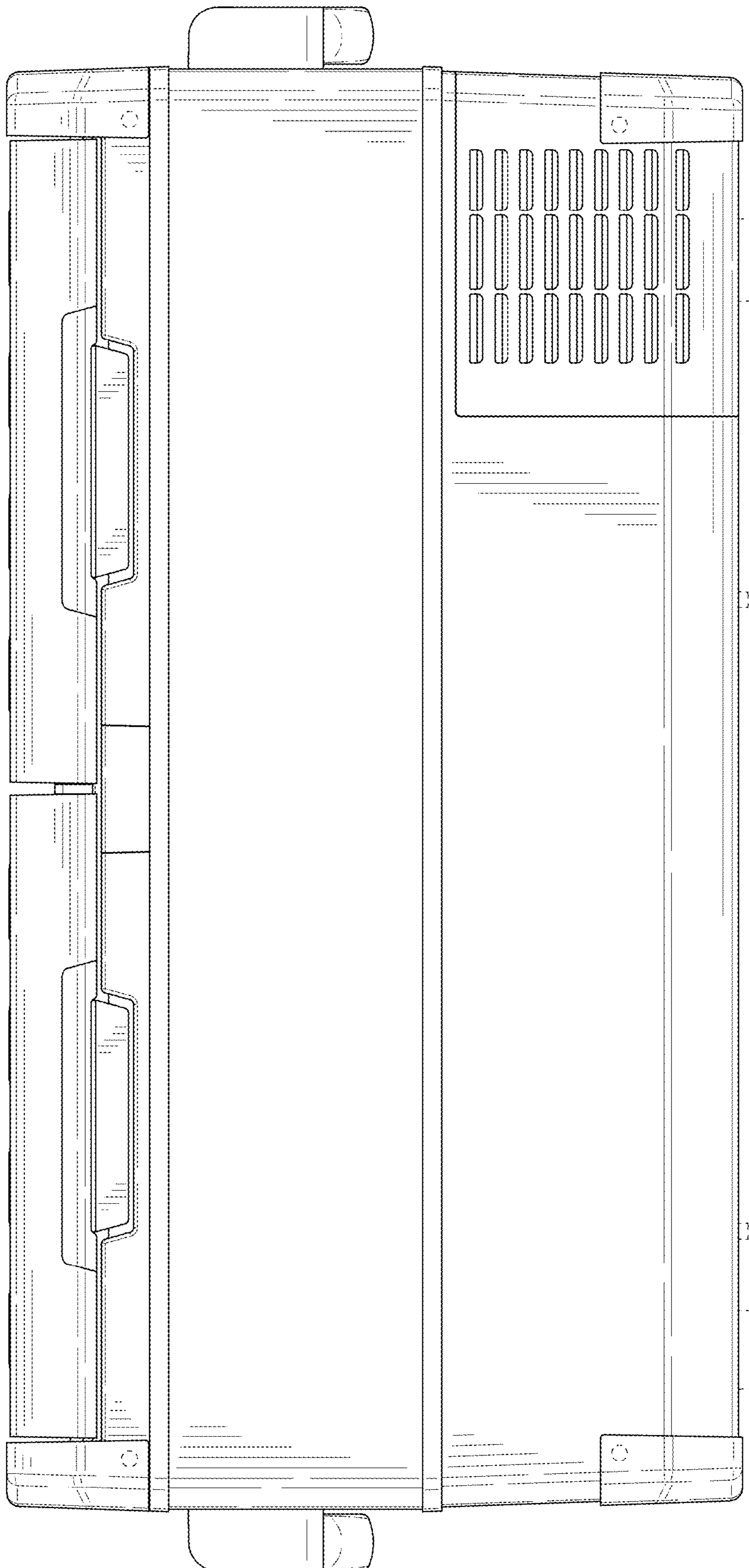


FIG. 3

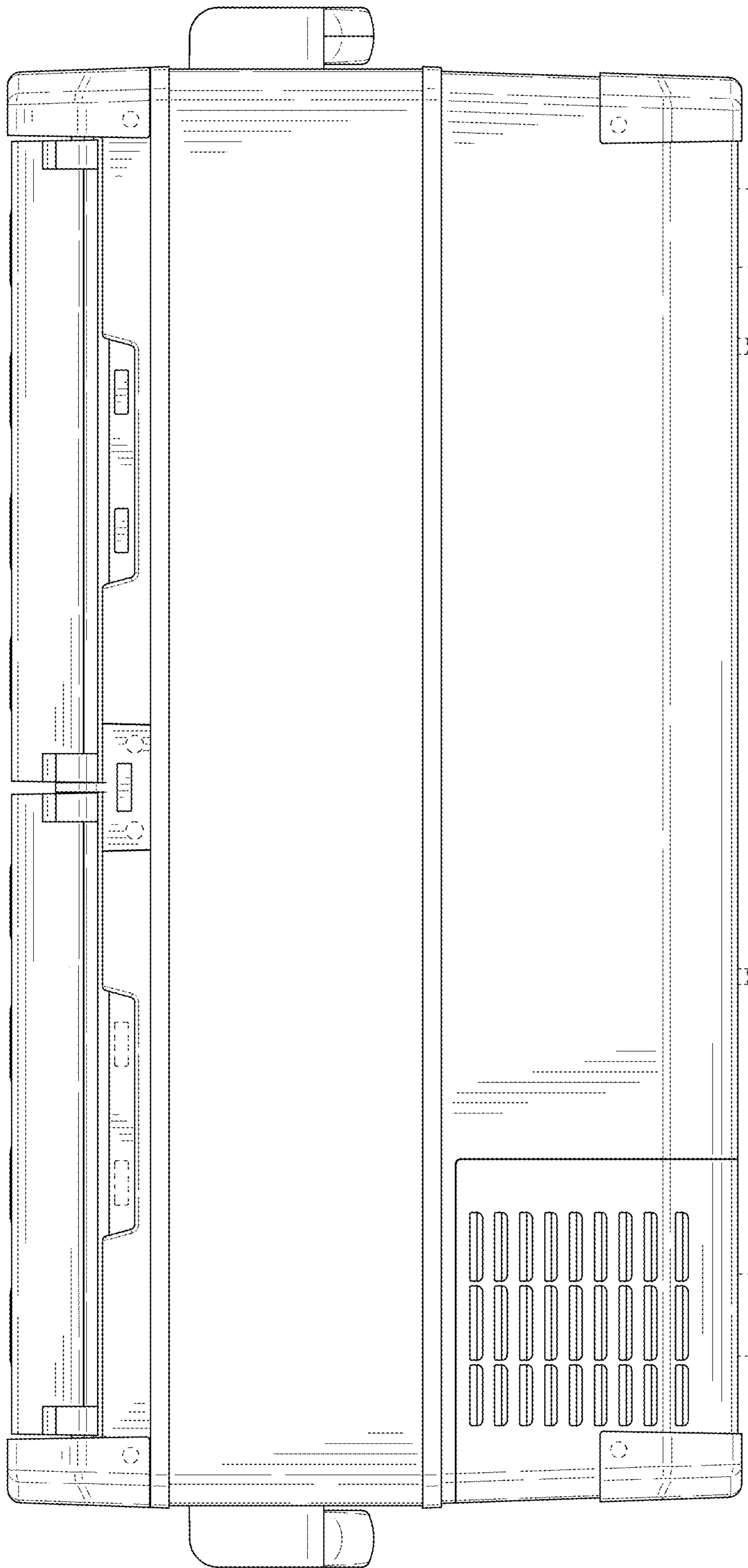


FIG. 4

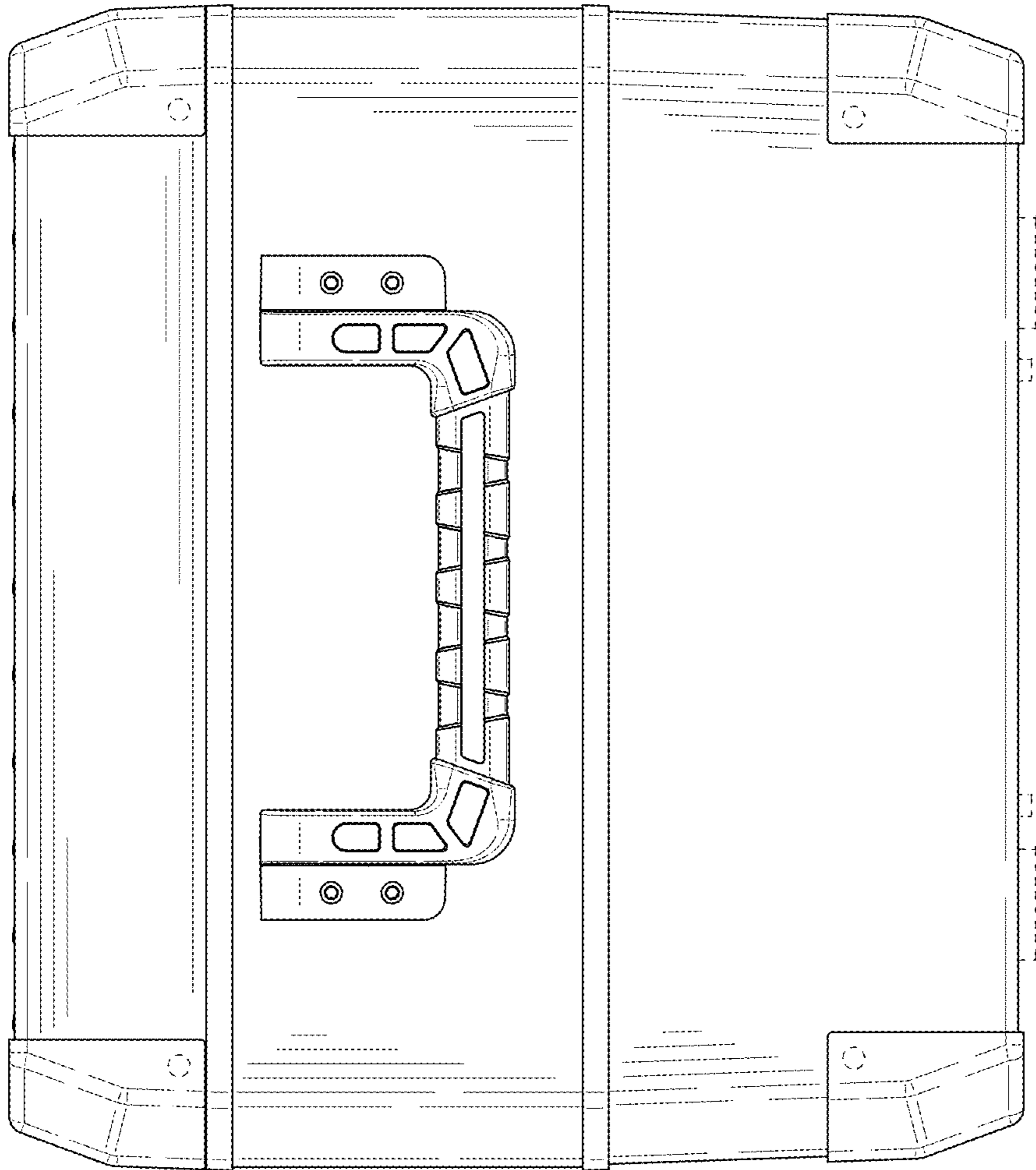


FIG. 5

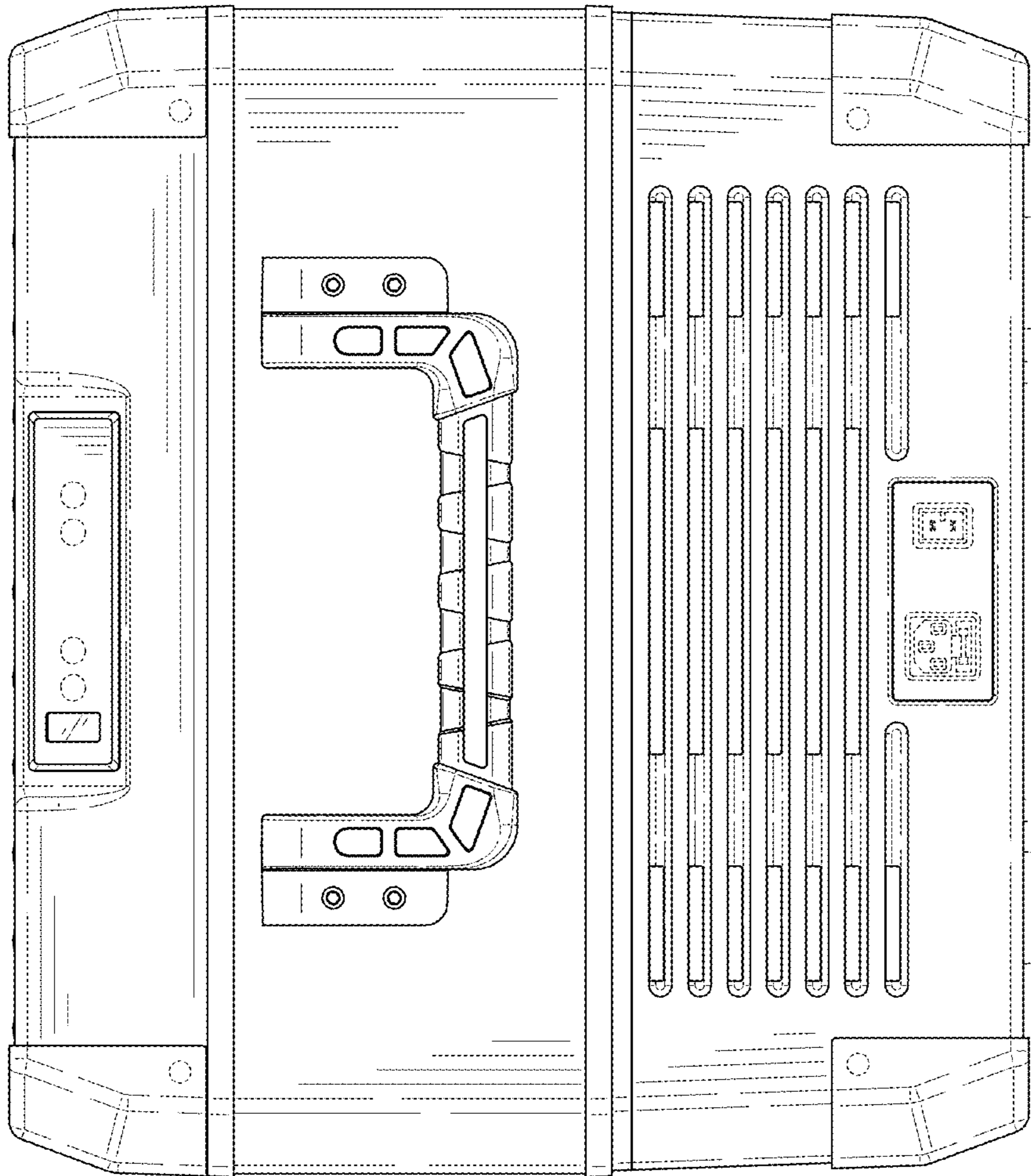


FIG. 6

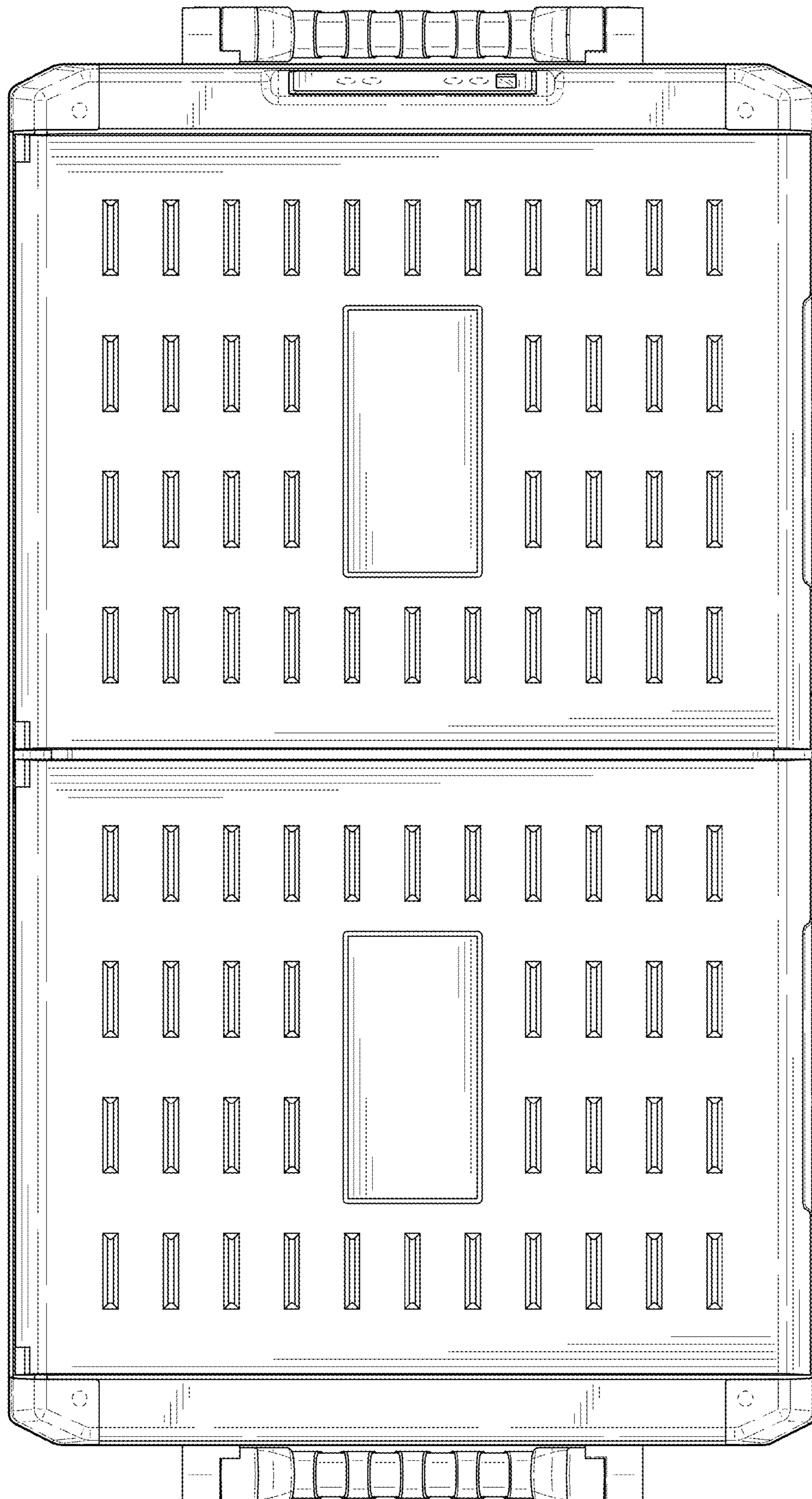


FIG. 7

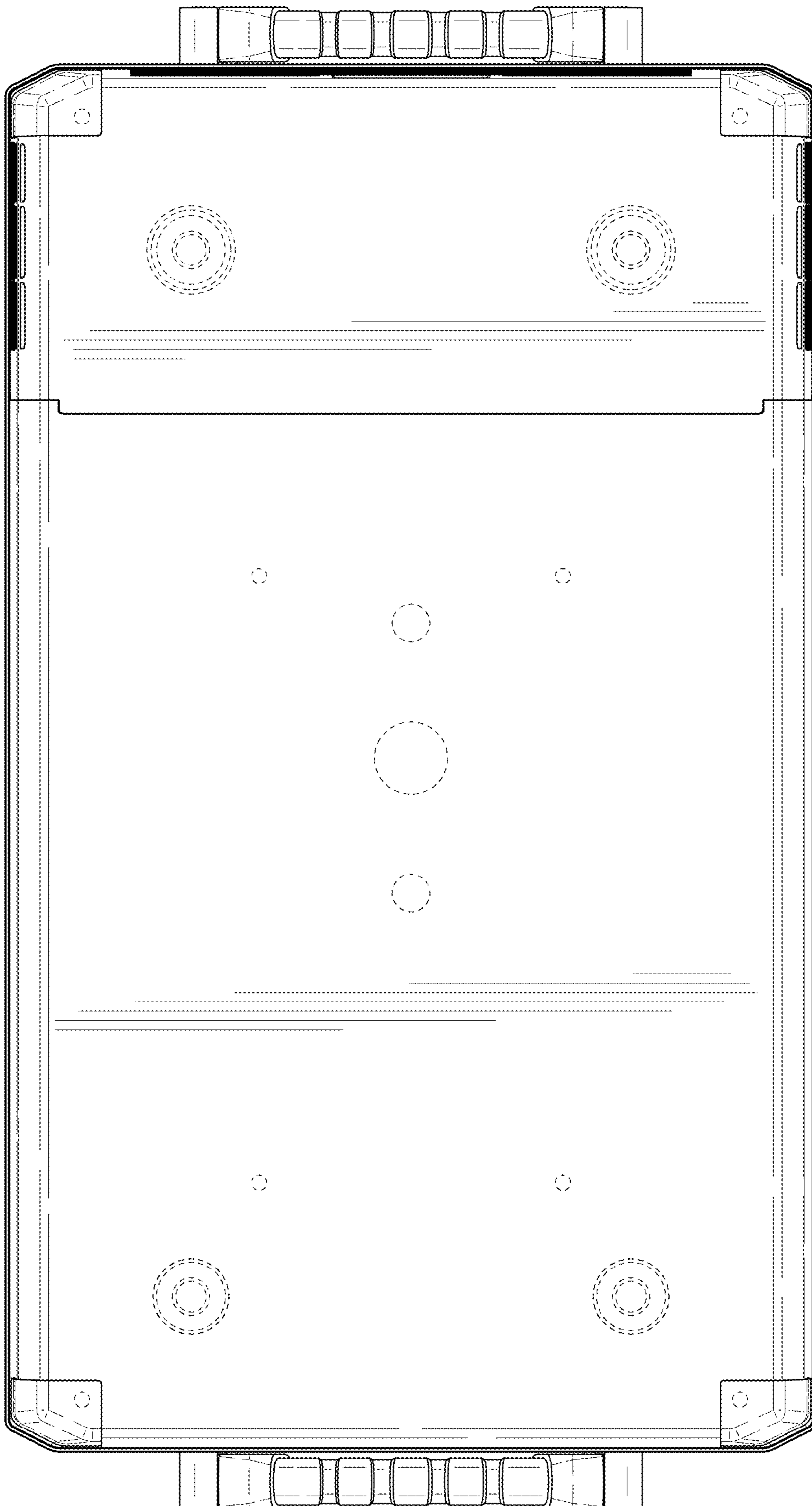


FIG. 8

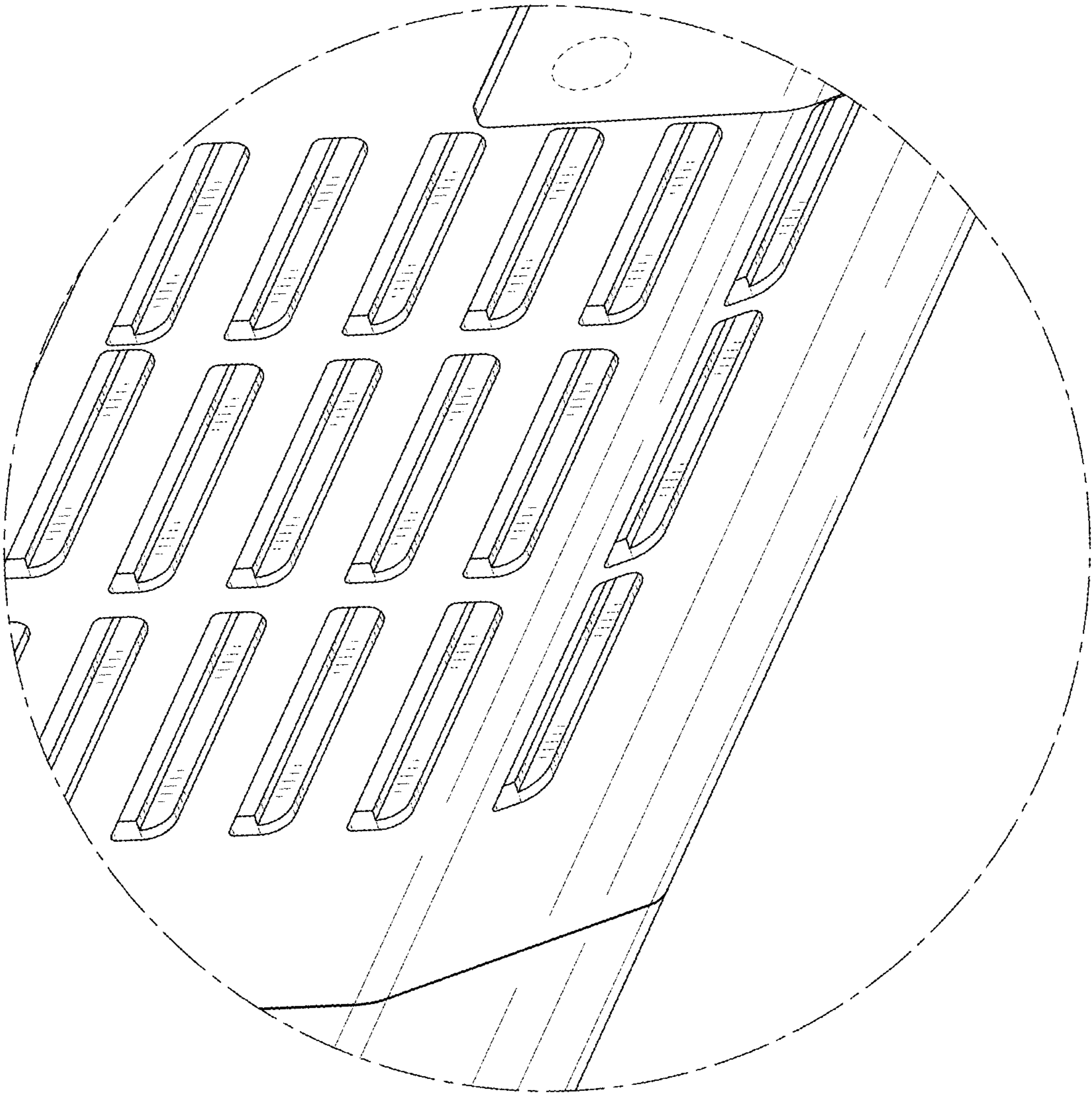


FIG. 9

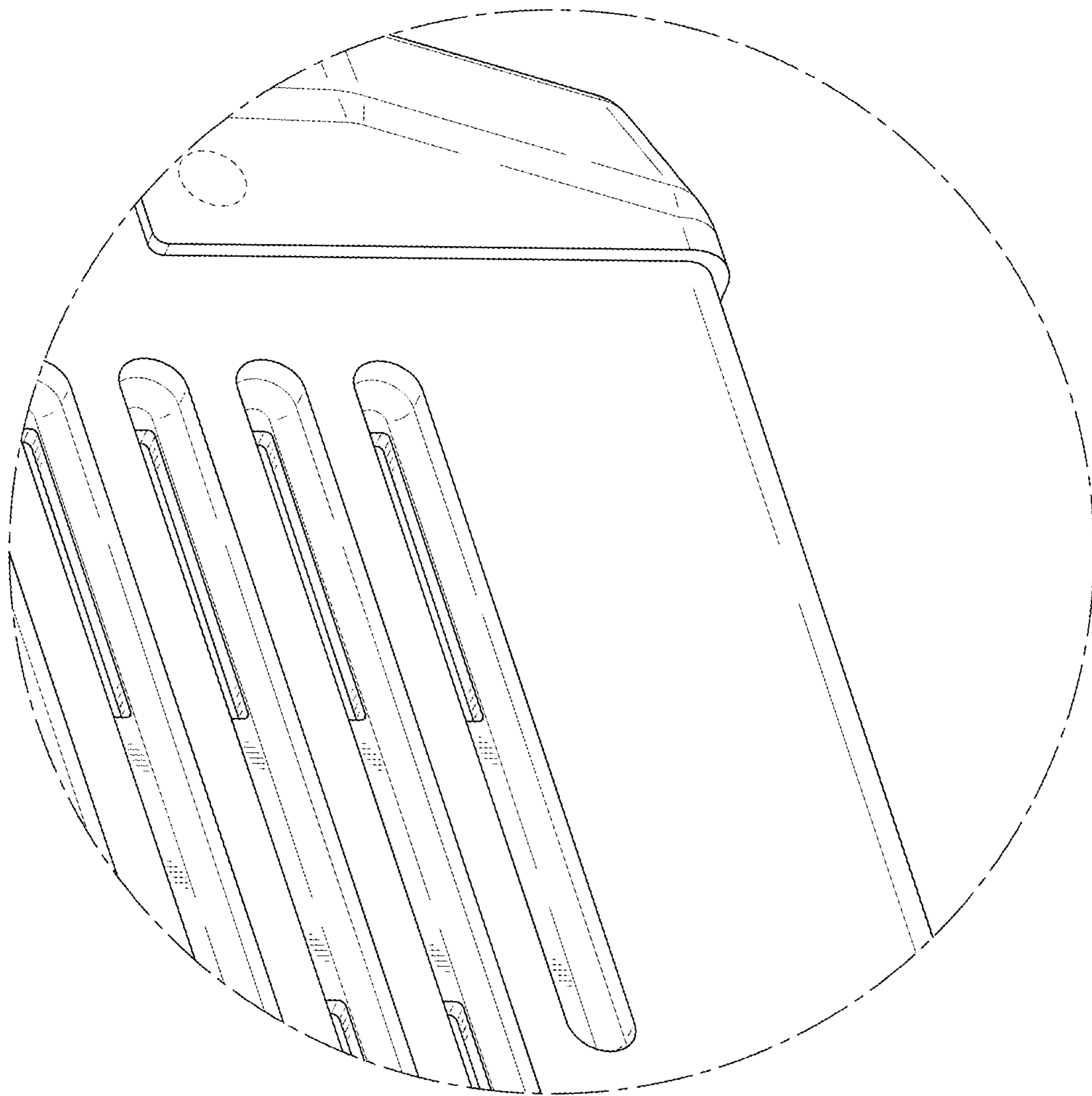


FIG. 10

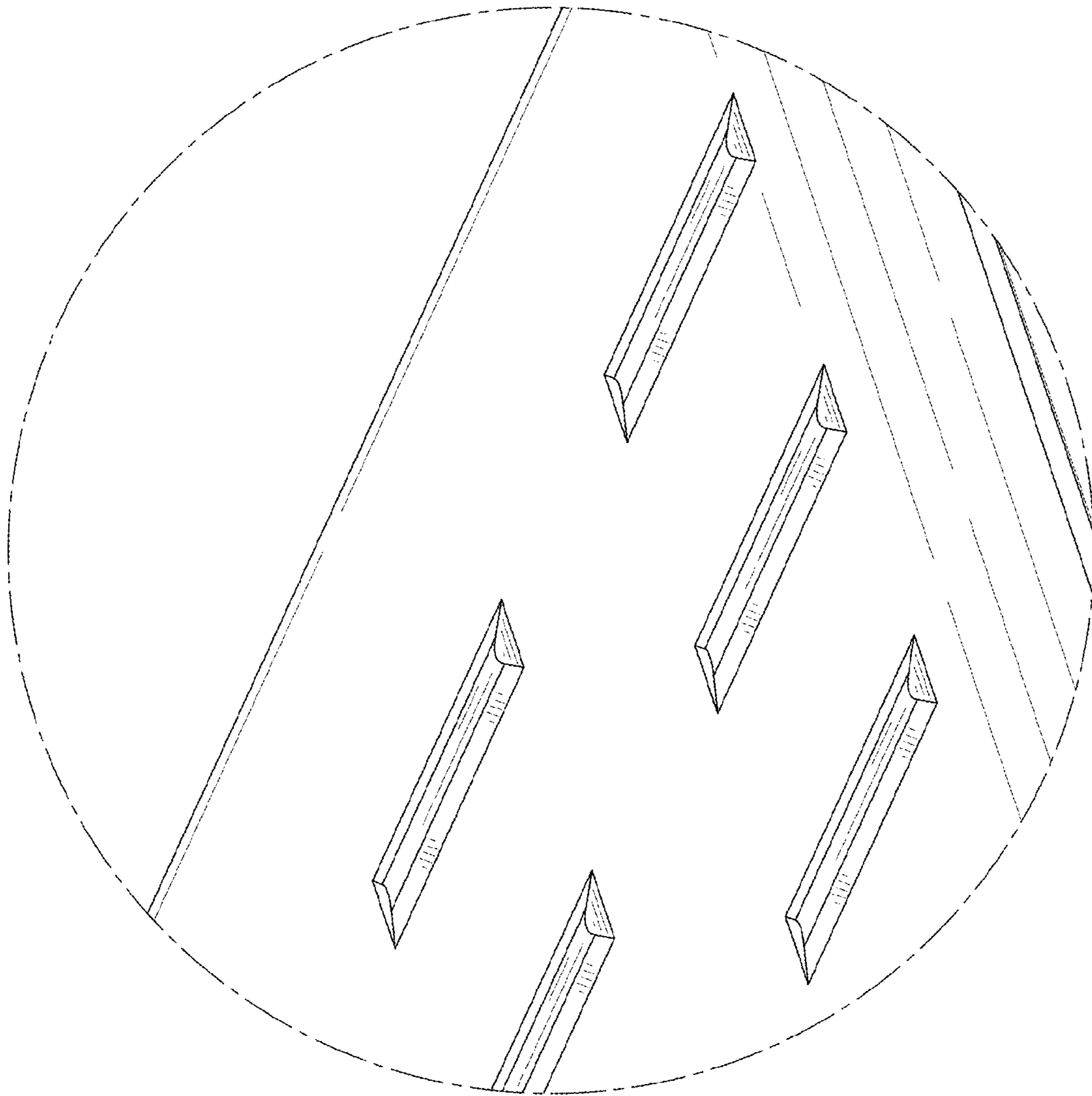


FIG. 11

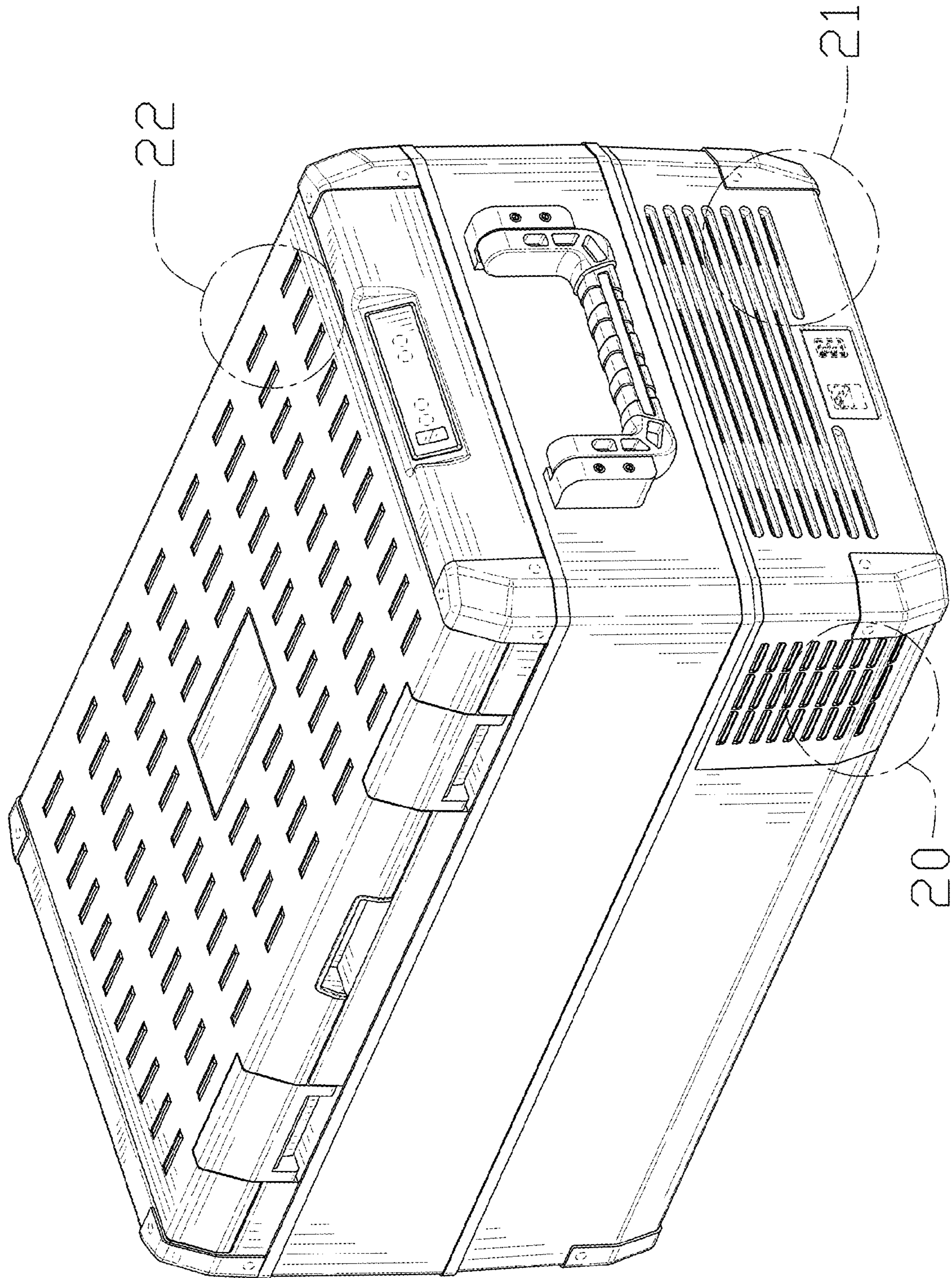


FIG. 12

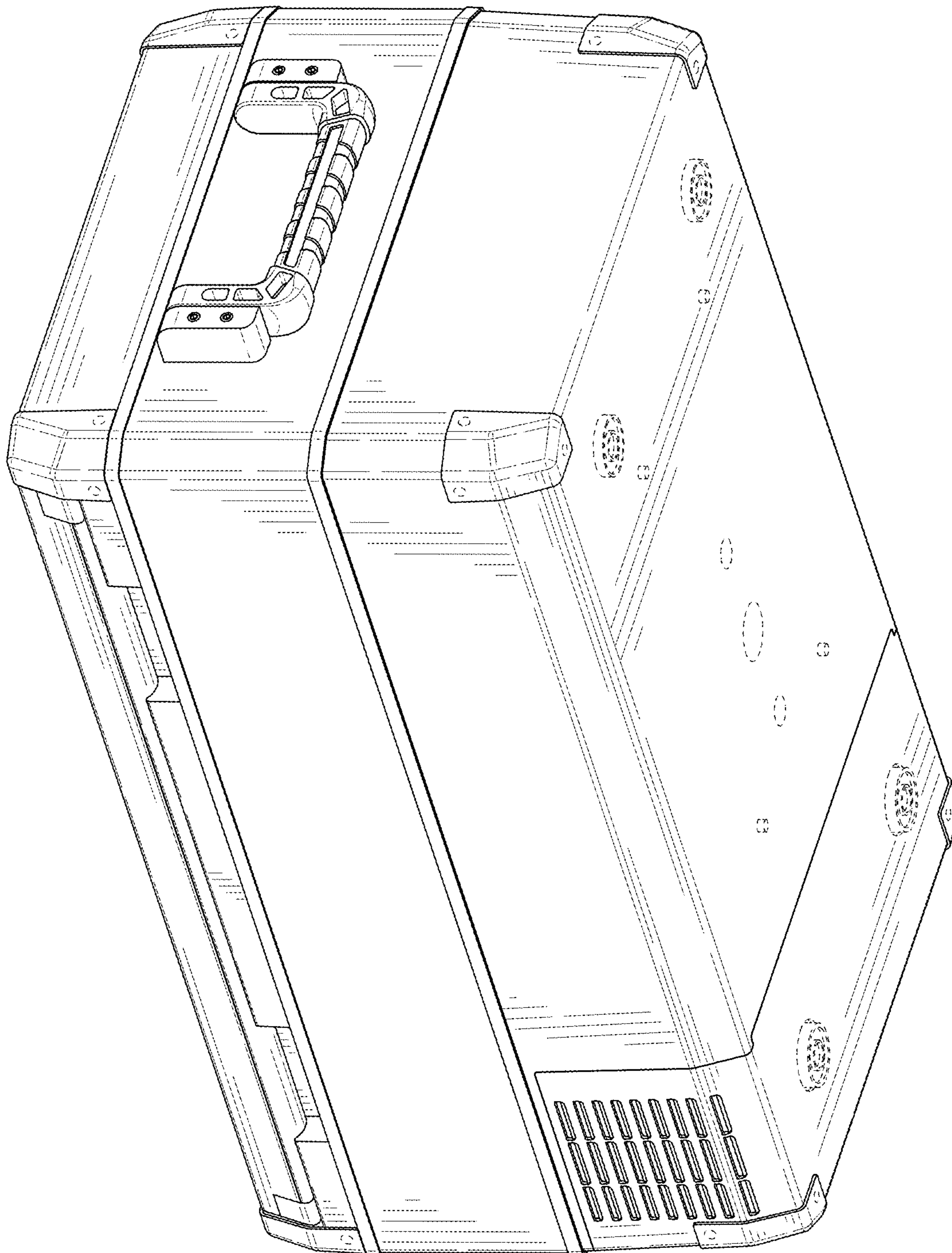


FIG. 13

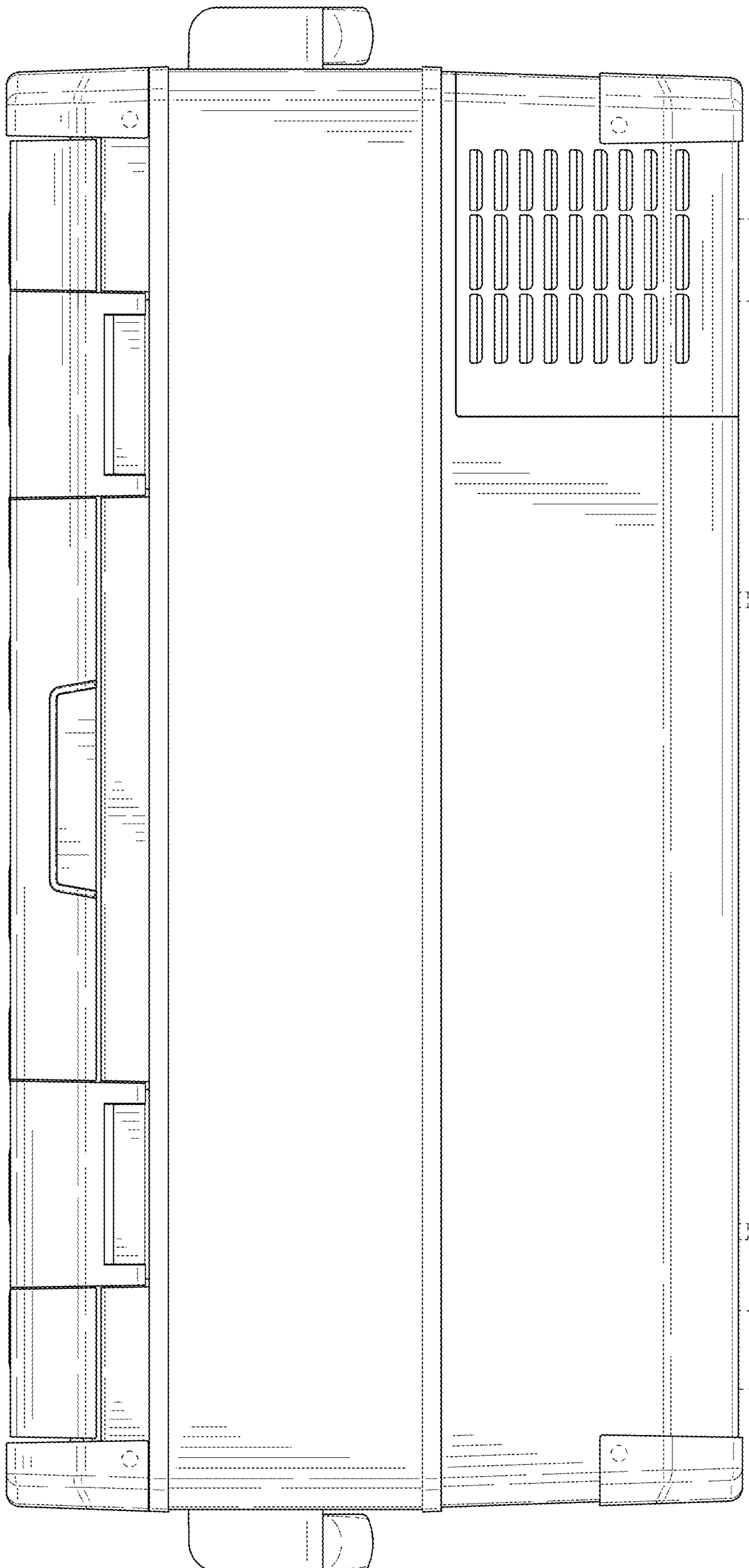


FIG. 14

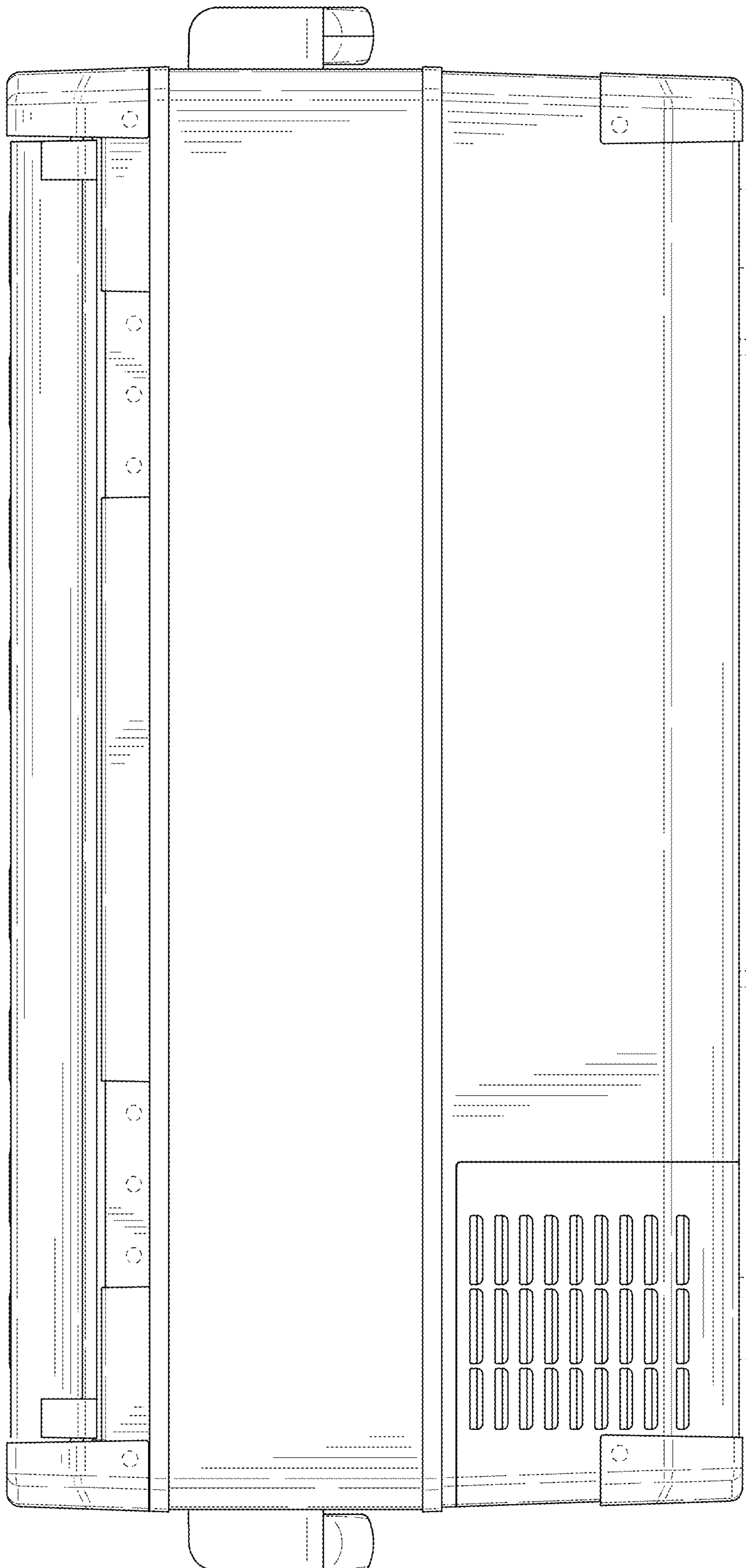


FIG. 15

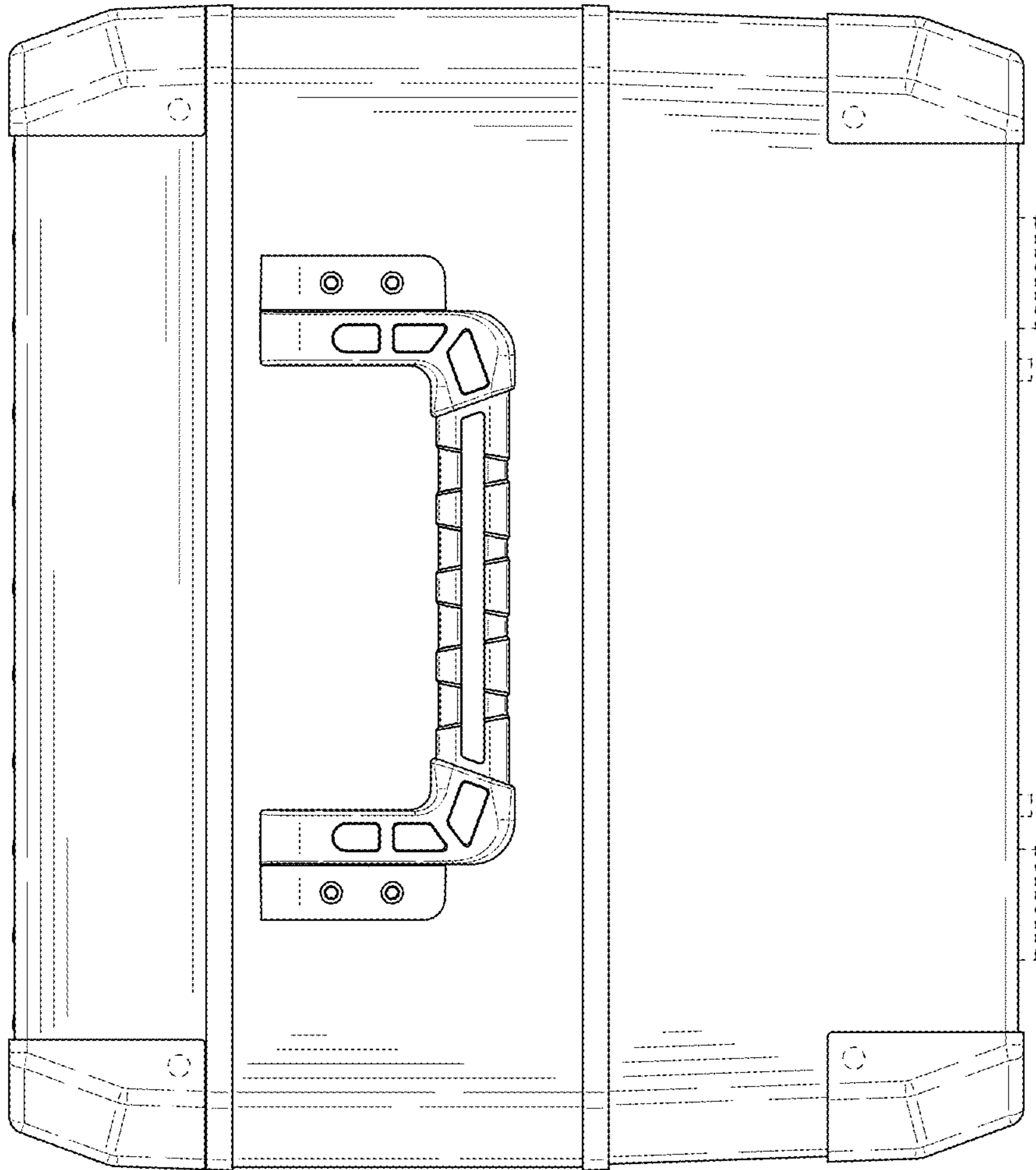


FIG. 16

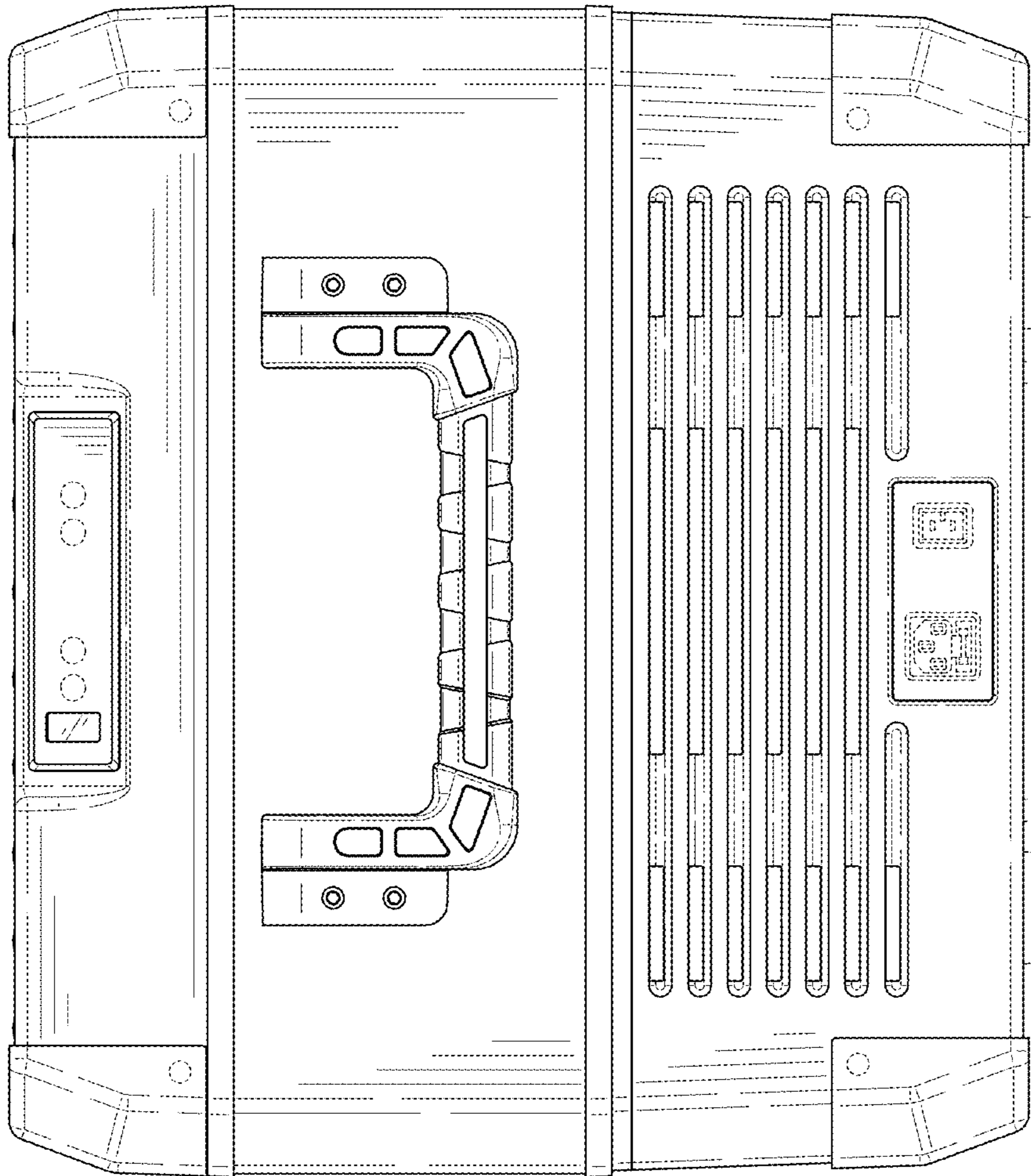


FIG. 17

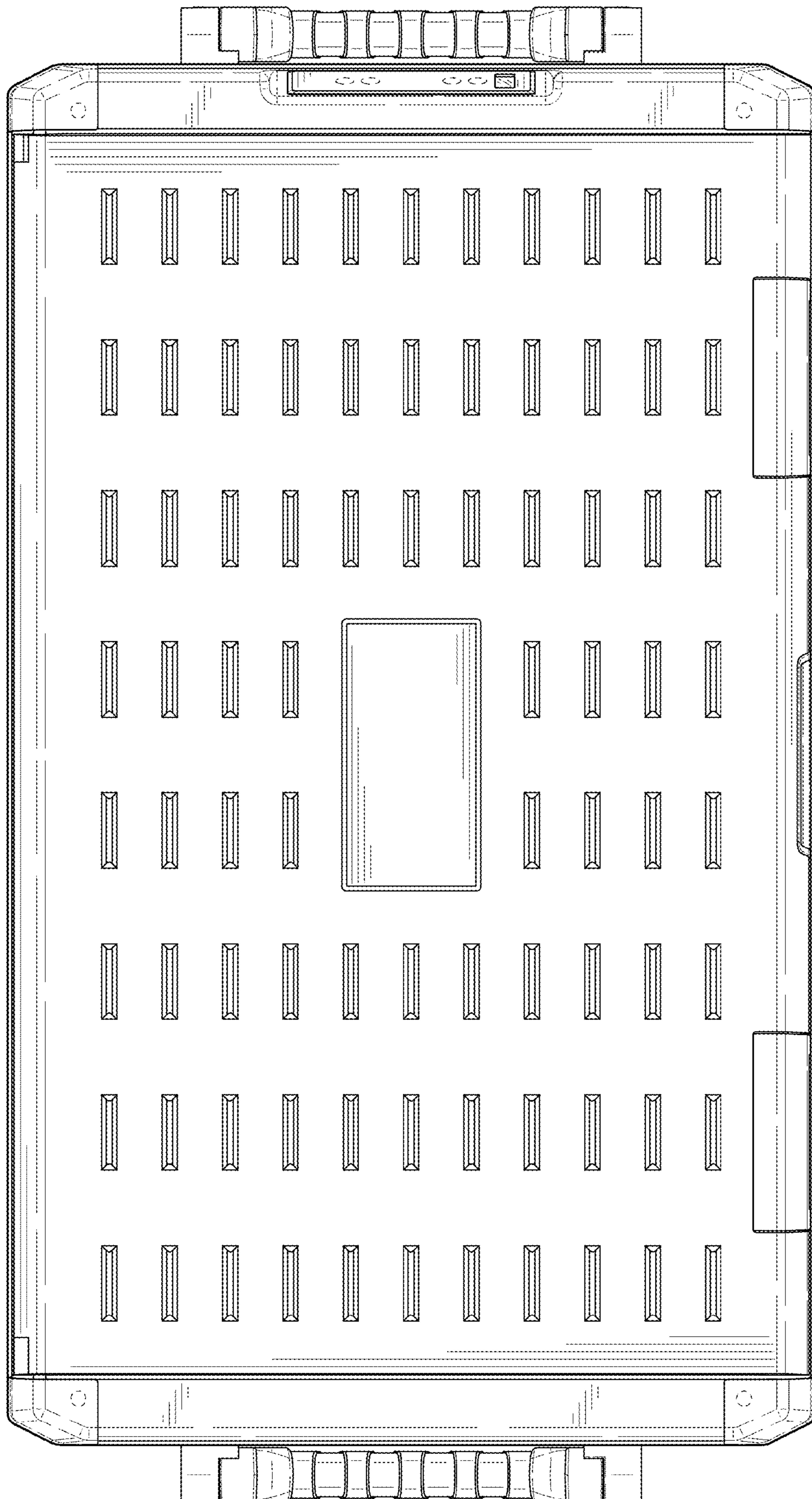


FIG. 18

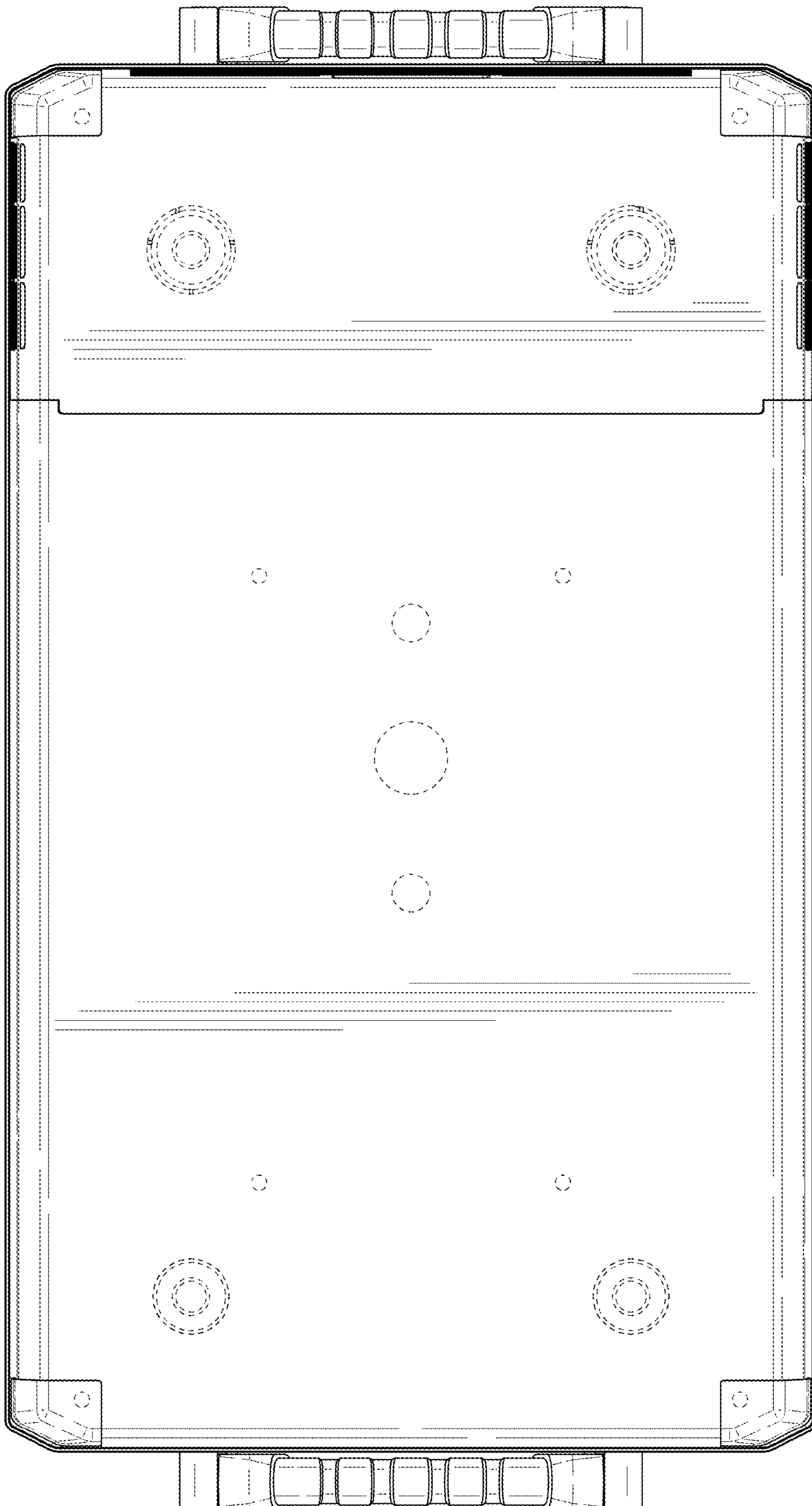


FIG. 19

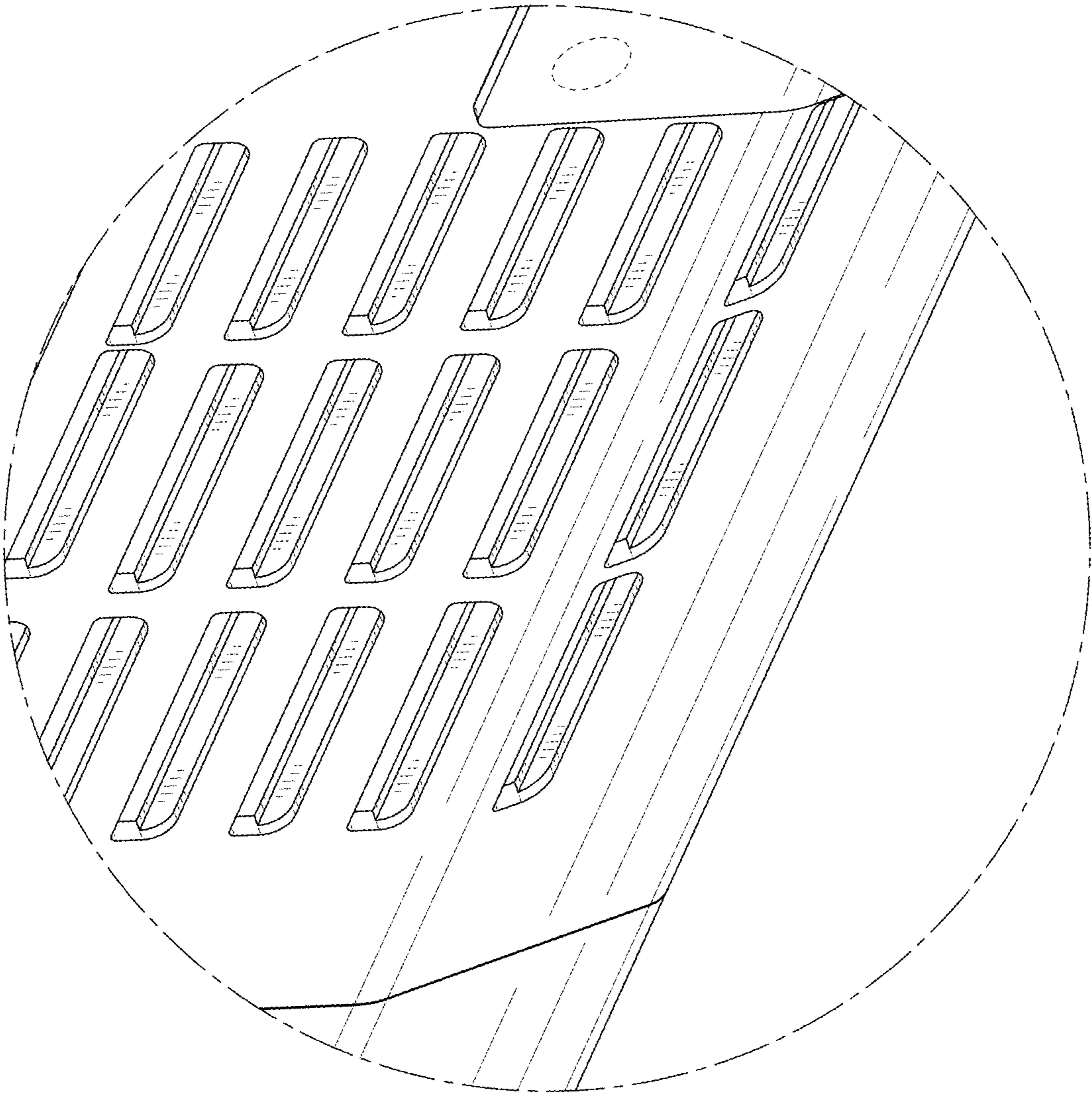


FIG. 20

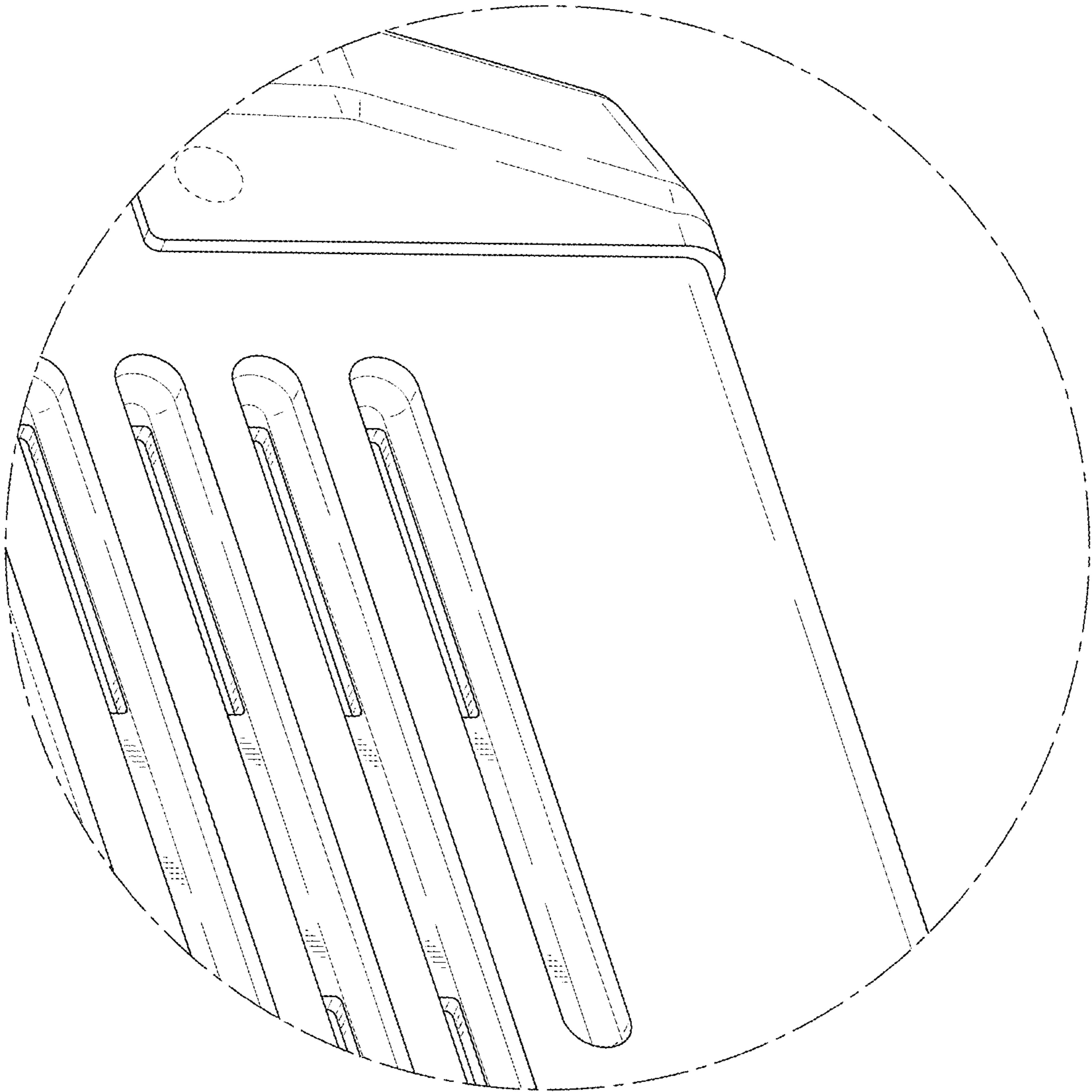


FIG. 21

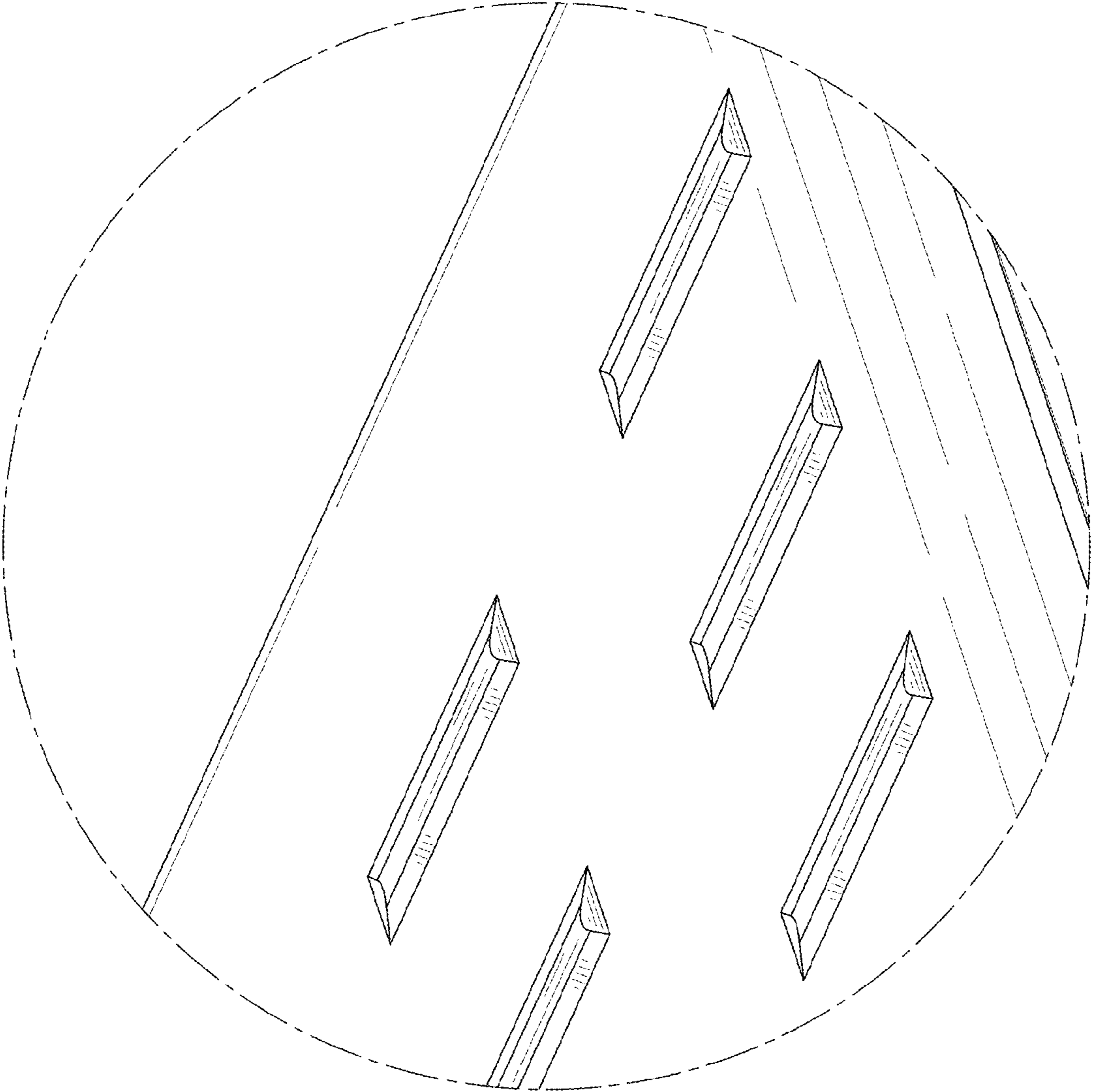


FIG. 22