



US00D946634S

(12) **United States Design Patent**
Zhang

(10) **Patent No.: US D946,634 S**
(45) **Date of Patent: ** Mar. 22, 2022**

(54) **KNITTING MACHINE**
(71) Applicant: **SHENZHEN JIAMITE TRADING CO., LTD., Shenzhen (CN)**
(72) Inventor: **Lirong Zhang, Shenzhen (CN)**
(73) Assignee: **SHENZHEN JIAMITE TRADING CO., LTD., Shenzhen (CN)**
(**) Term: **15 Years**
(21) Appl. No.: **29/783,623**
(22) Filed: **May 13, 2021**

2,658,364 A * 11/1953 Carlson D04B 9/44
66/4
D182,269 S * 3/1958 Brown et al. D3/25
3,650,010 A * 3/1972 Powell, Jr. D04D 9/00
29/241
D246,244 S * 11/1977 Current D15/66
D247,900 S * 5/1978 Current D15/66
4,827,638 A * 5/1989 Peters D05C 1/04
108/94
D307,819 S * 5/1990 Peters D15/66
D309,056 S * 7/1990 Peters D3/25
D309,057 S * 7/1990 Peters D15/66
D309,058 S * 7/1990 Peters D3/26
D357,799 S * 5/1995 Wilkerson D3/26
6,276,986 B1 * 8/2001 Wu A63H 33/3088
446/474
6,360,566 B1 * 3/2002 Koike D04B 9/00
66/8
D611,964 S * 3/2010 Lonati D15/66
8,596,096 B1 * 12/2013 Russell D04B 3/00
66/4
D707,732 S * 6/2014 Crorey D15/66

Related U.S. Application Data

(63) Continuation-in-part of application No. 29/757,656, filed on Nov. 9, 2020, now Pat. No. Des. 923,063.
(51) **LOC (13) Cl. 15-06**
(52) **U.S. Cl.**
USPC **D15/66**
(58) **Field of Classification Search**
USPC D15/66-68, 78
CPC D04B 13/00-02; D04B 9/00-58; D04B 5/00; D04B 39/00; D03D 29/00; D04G 5/00
See application file for complete search history.

Primary Examiner — Mitchell I. Siegel

(57) **CLAIM**

The ornamental design for a knitting machine, as shown and described.

DESCRIPTION

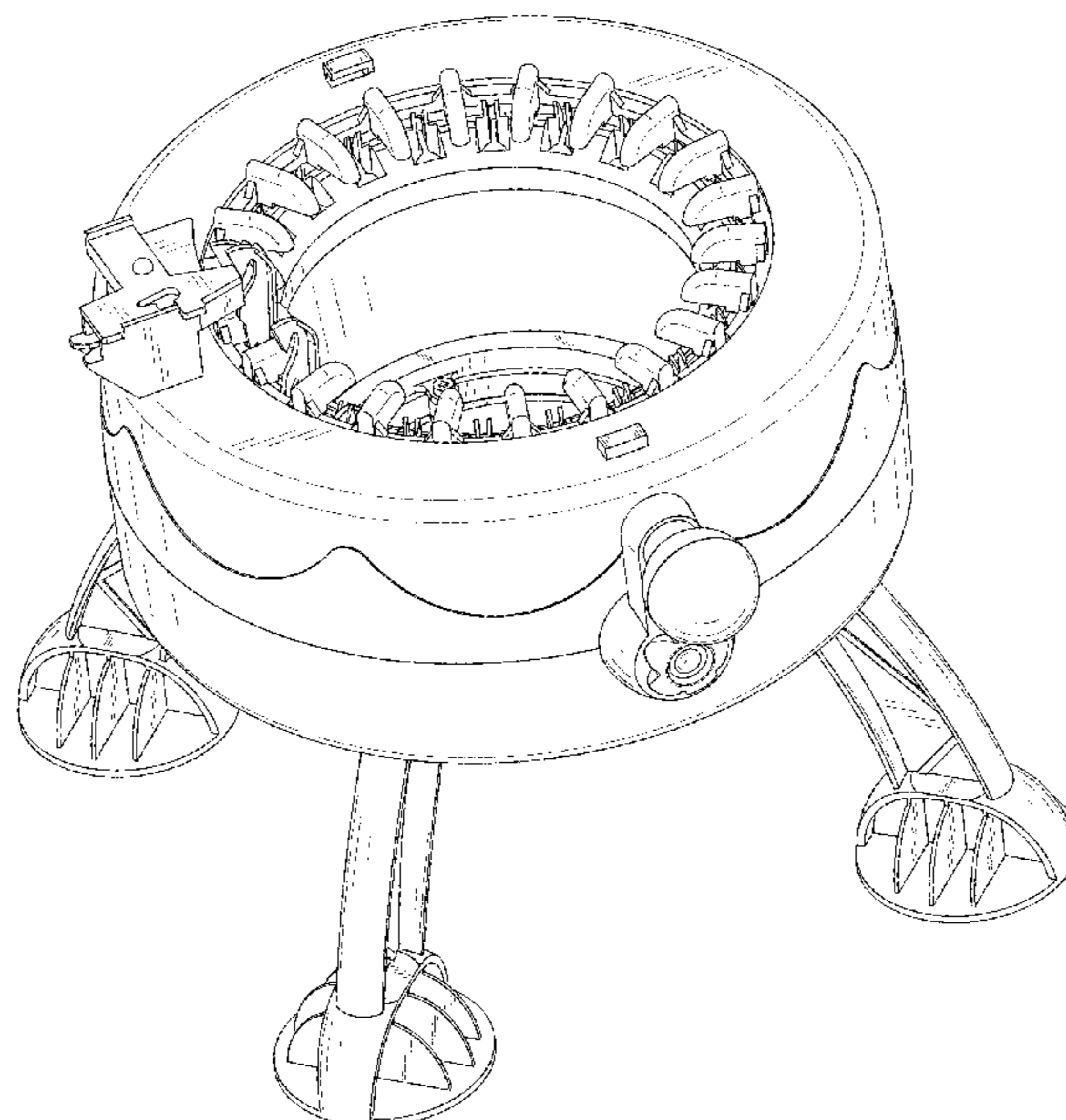
FIG. 1 is a perspective view of a knitting machine showing my new design;
FIG. 2 is another perspective view thereof;
FIG. 3 is a front elevational view thereof;
FIG. 4 is a rear elevational view thereof;
FIG. 5 is a left side elevational view thereof;
FIG. 6 is a right side elevational view thereof;
FIG. 7 is a top plan view thereof; and,
FIG. 8 is a bottom plan view thereof.
The broken lines in the drawings depict portions of the knitting machine that form no part of the claimed design.

(56) **References Cited**

U.S. PATENT DOCUMENTS

434,528 A * 8/1890 Sedmihradsky D04B 13/00
66/105
513,157 A * 1/1894 Tompkins D04B 13/00
66/105
1,249,706 A * 12/1917 Zimmerman B25H 3/02
312/244
1,318,604 A * 10/1919 Schneider D04B 39/00
66/4

1 Claim, 8 Drawing Sheets



(56)

References Cited

U.S. PATENT DOCUMENTS

D735,778	S *	8/2015	Nedry	D15/78
D737,341	S *	8/2015	Shirai	D15/66
9,234,306	B1 *	1/2016	Chang	D04B 3/00
D751,124	S *	3/2016	Miller	D15/66
D771,153	S *	11/2016	Lonati	D15/66
D773,174	S *	12/2016	Okuma	D3/26
D850,496	S *	6/2019	Papenfuss	D15/66
D855,666	S *	8/2019	Levin	D15/66
D891,485	S *	7/2020	Lonati	D15/66
D893,554	S *	8/2020	Lonati	D15/66
D895,691	S *	9/2020	Rosen	D15/66
10,883,208	B2 *	1/2021	Novak	D03D 29/00
D923,063	S *	6/2021	Zhang	D15/66
2007/0270010	A1 *	11/2007	Walter	D03D 29/00 439/259
2013/0285375	A1 *	10/2013	Crorey	D04G 5/00 289/2
2014/0197636	A1 *	7/2014	Crorey	A63H 33/3088 289/13
2015/0329999	A1 *	11/2015	Yu	D04B 15/68 66/92
2016/0032500	A1 *	2/2016	Novak	D04B 5/00 28/152

* cited by examiner

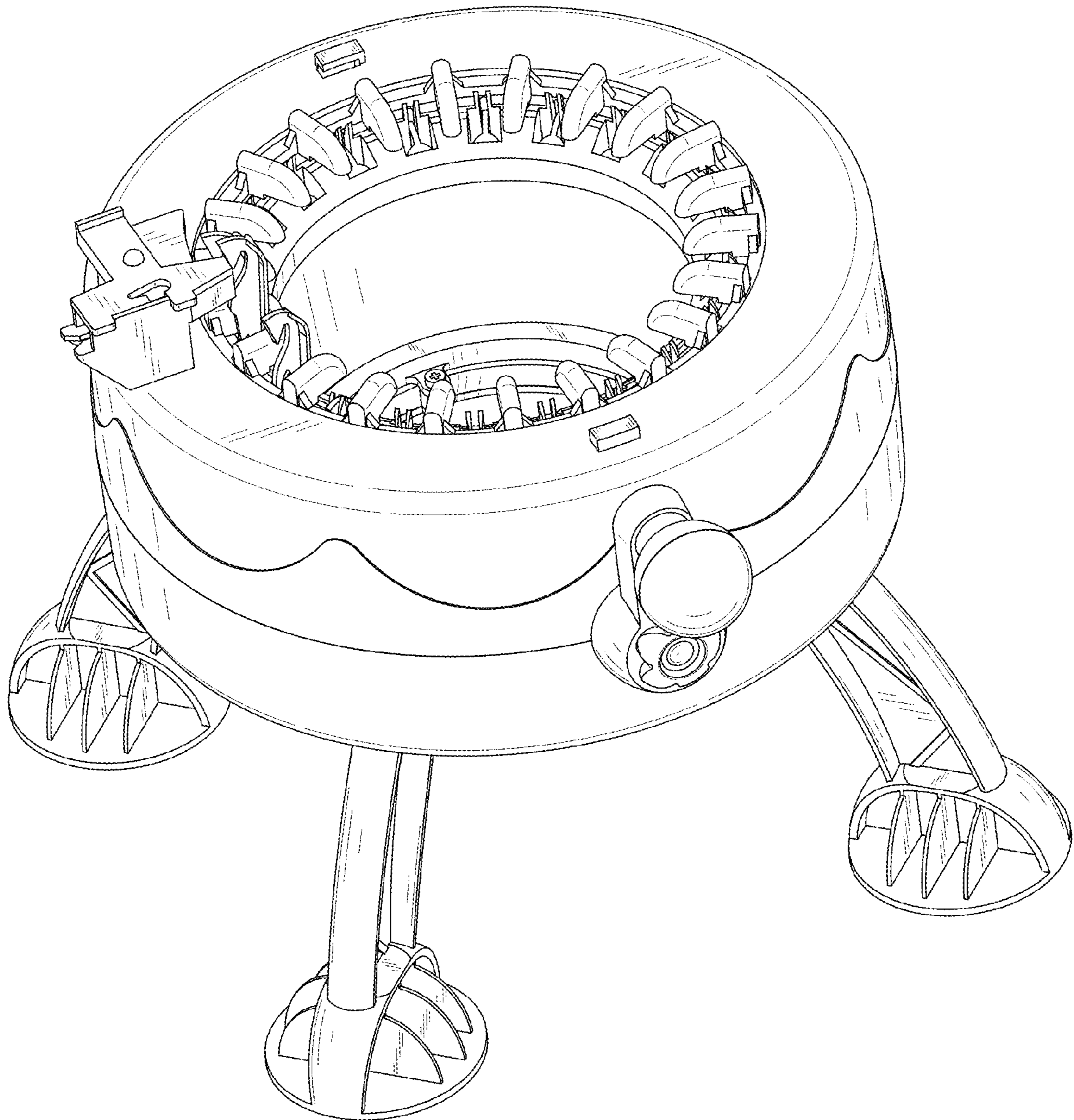


FIG. 1

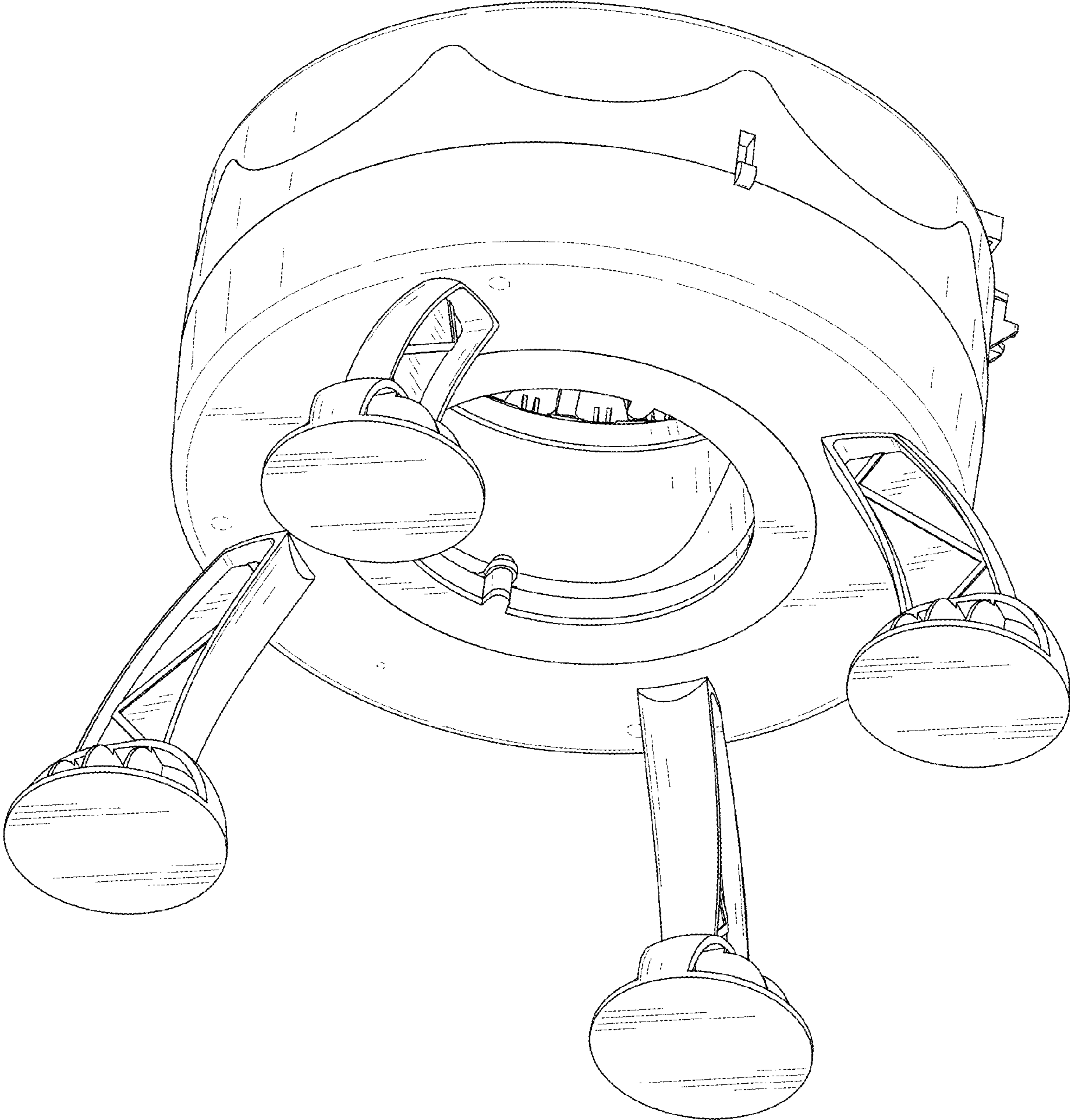


FIG. 2

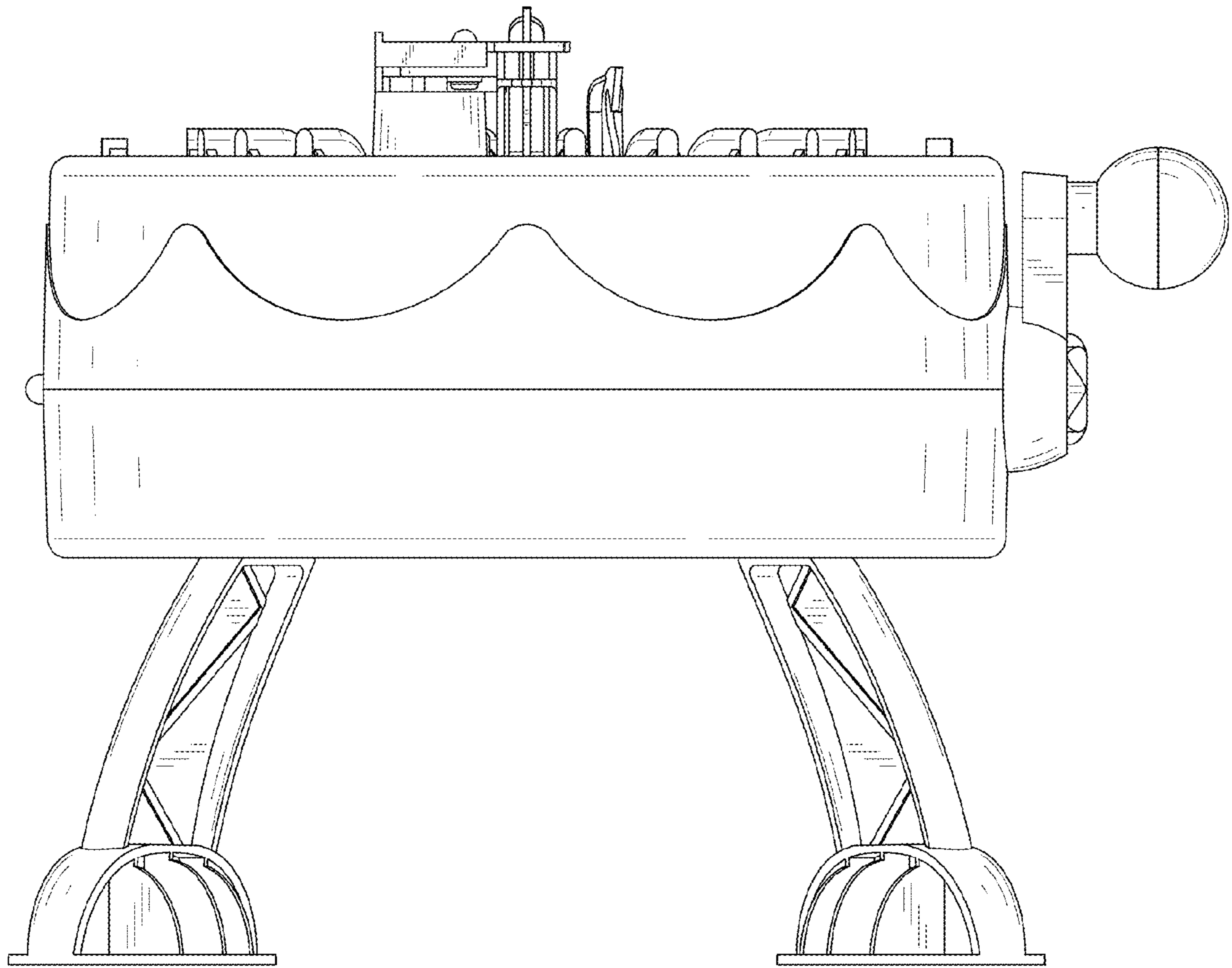


FIG. 3

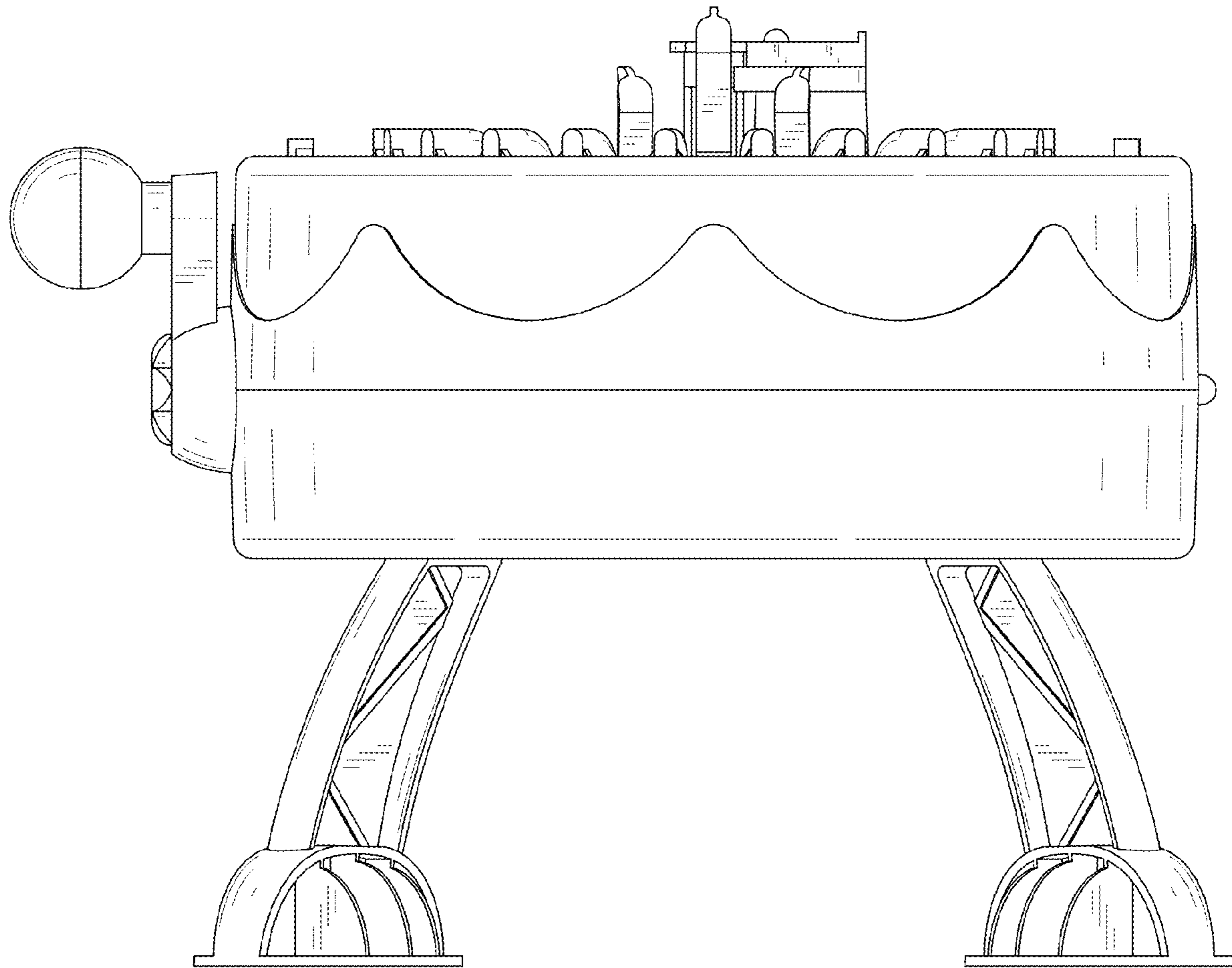


FIG. 4

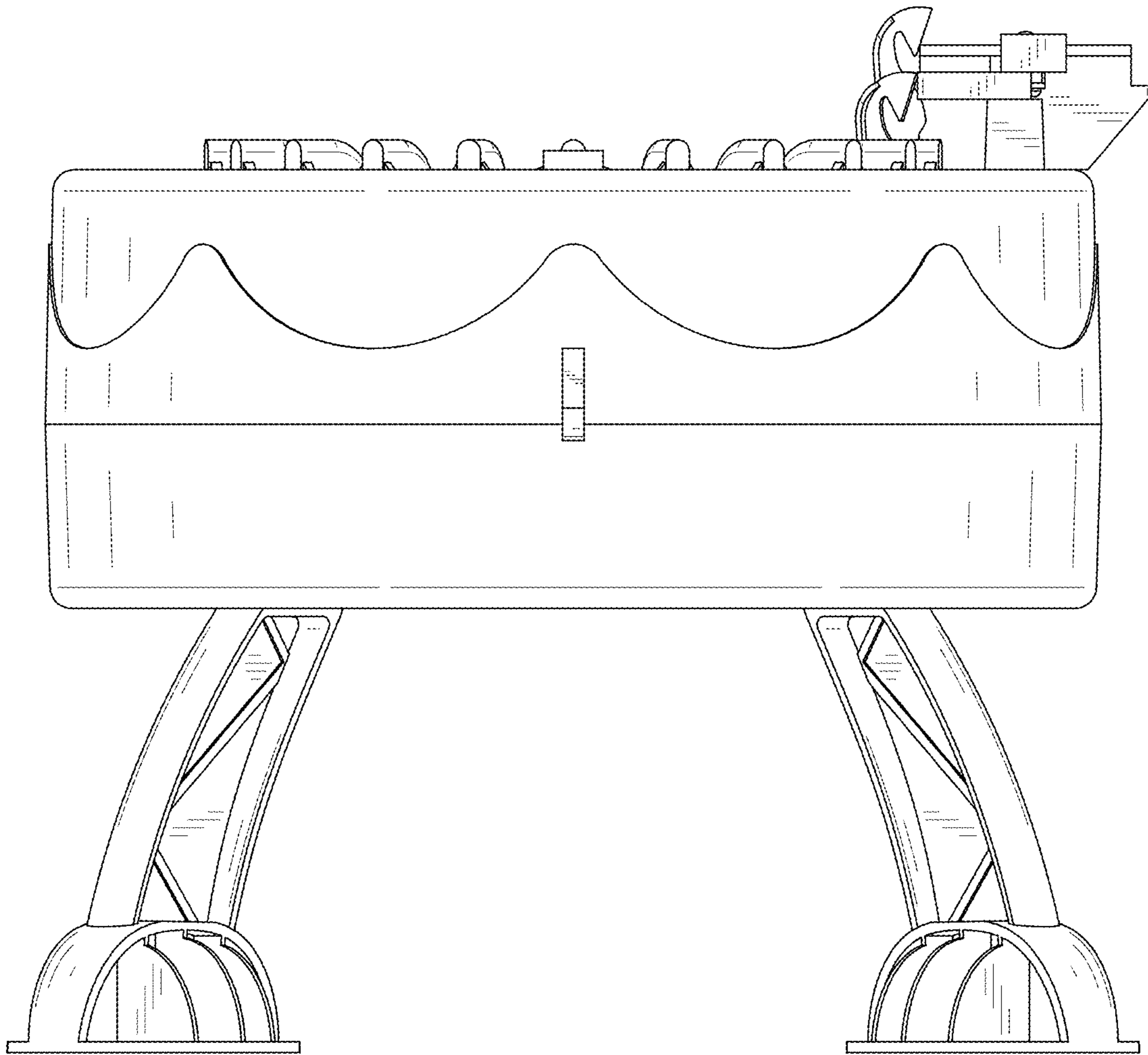


FIG. 5

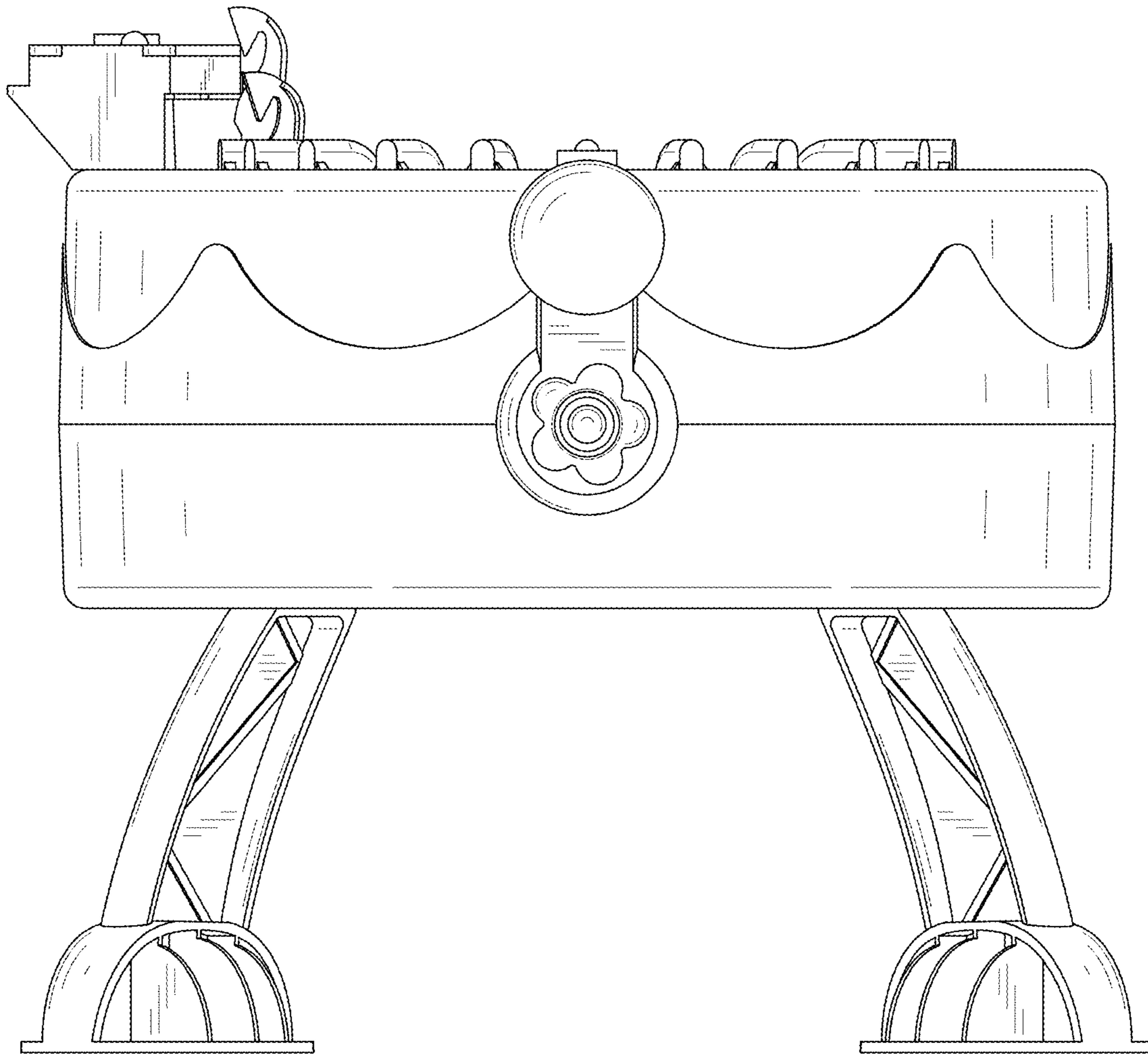


FIG. 6

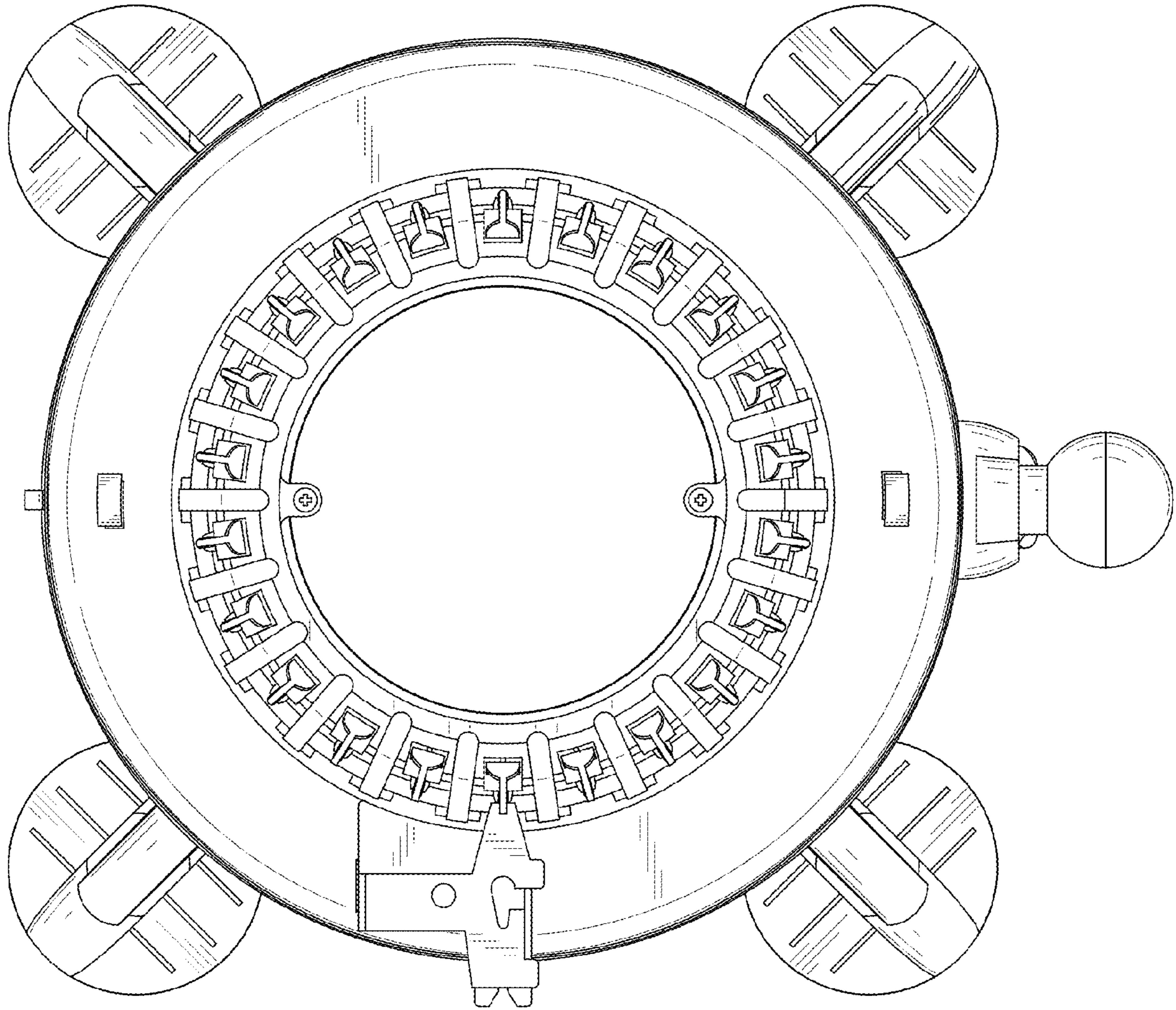


FIG. 7

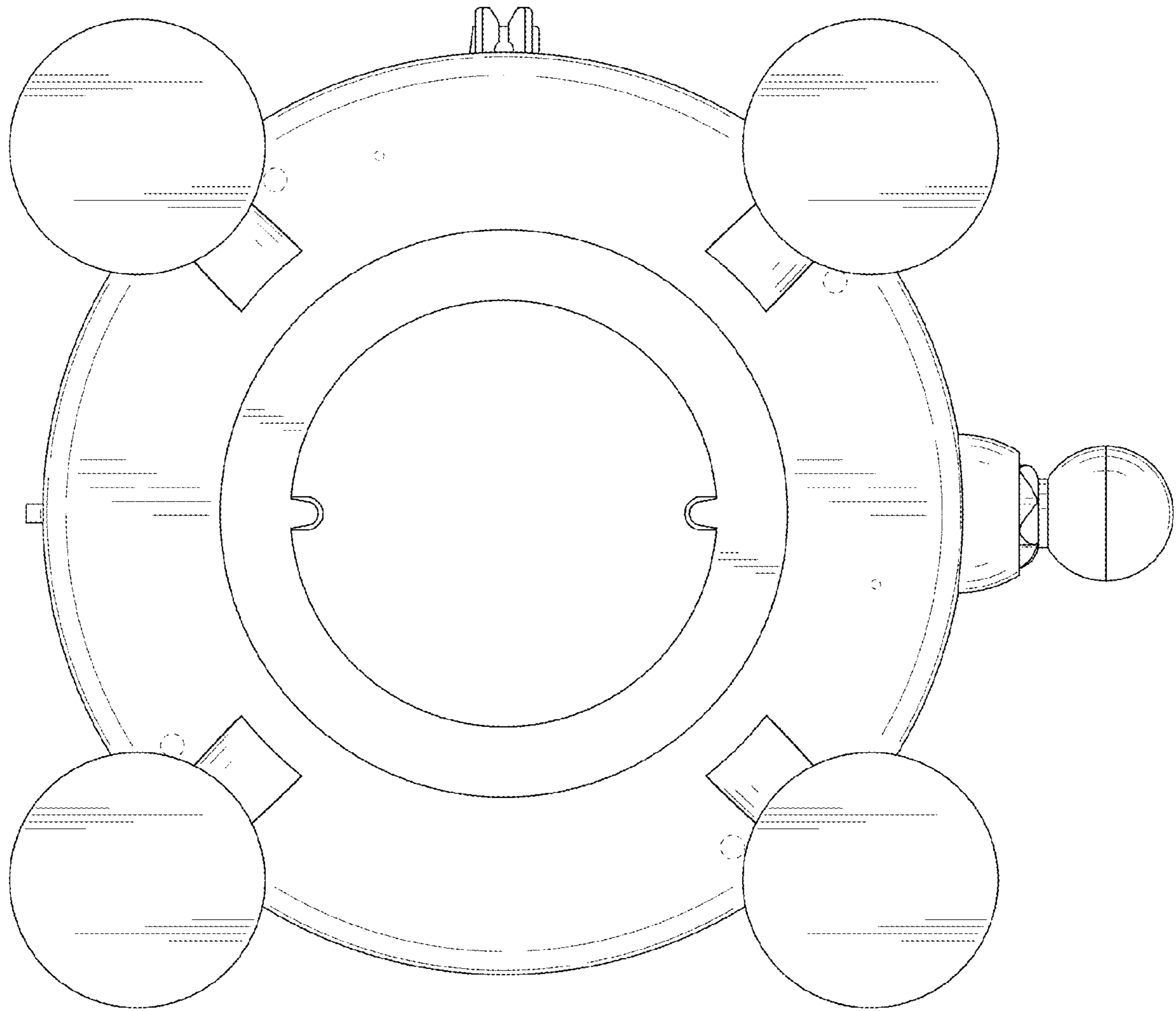


FIG. 8